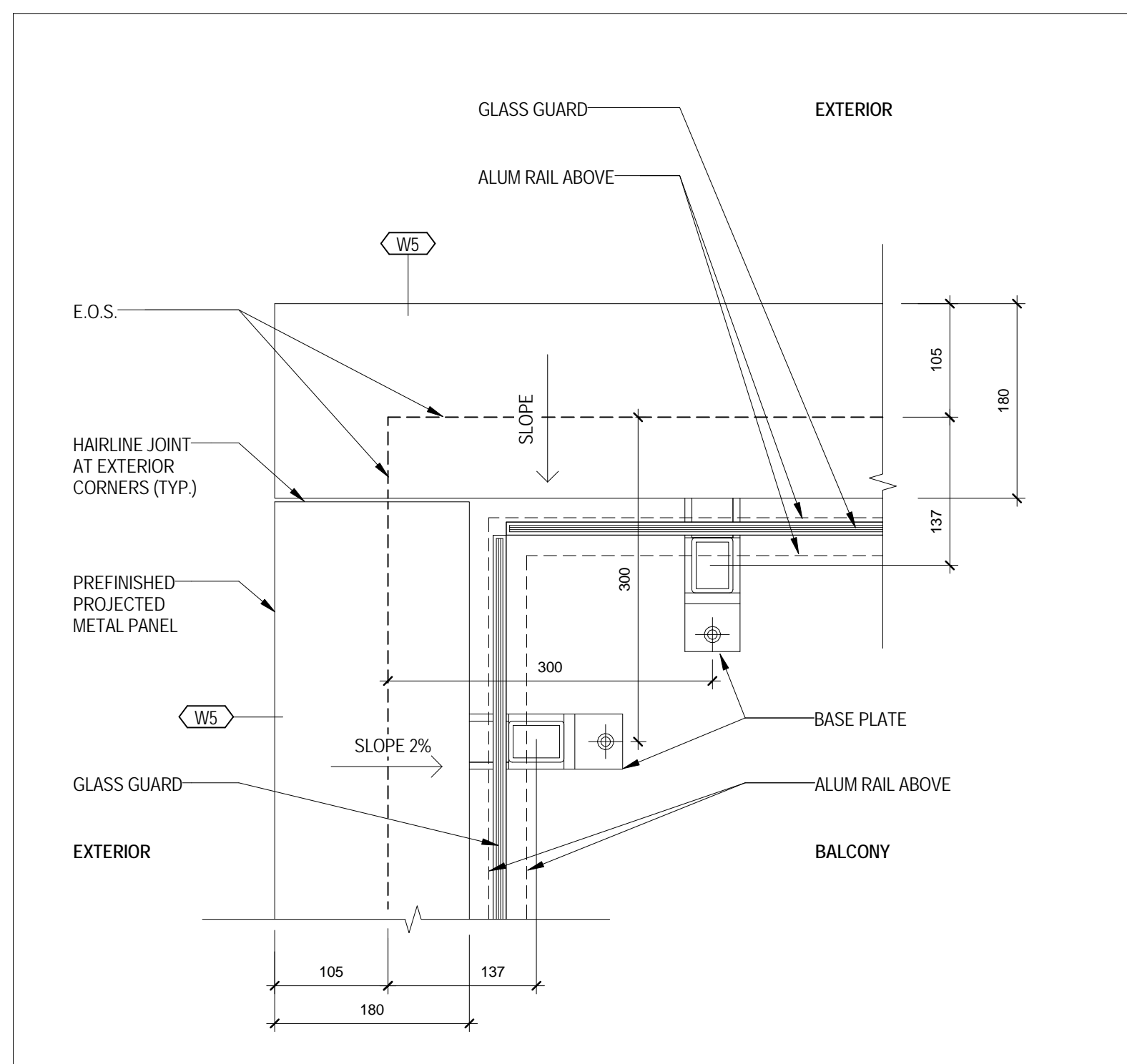
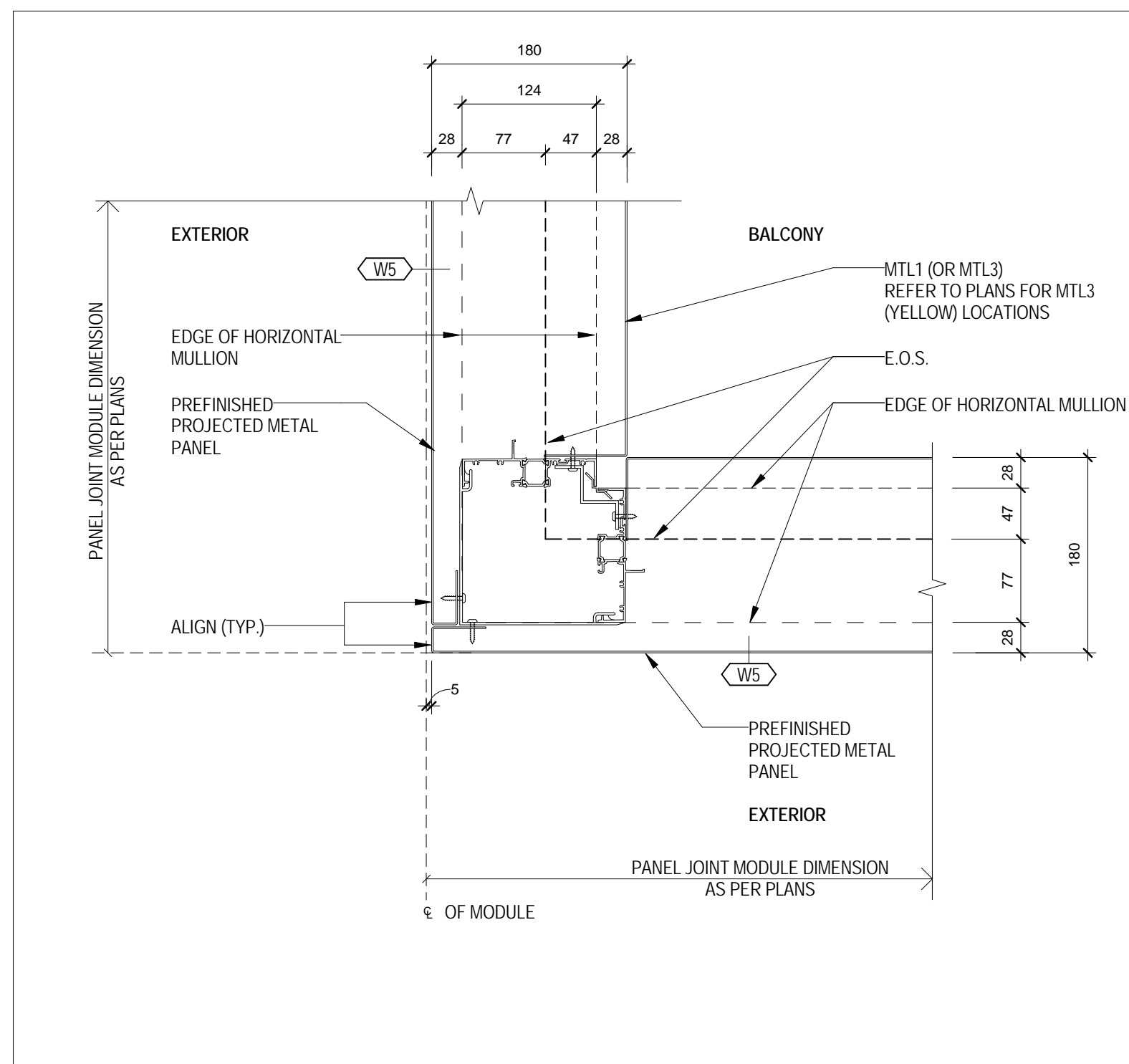


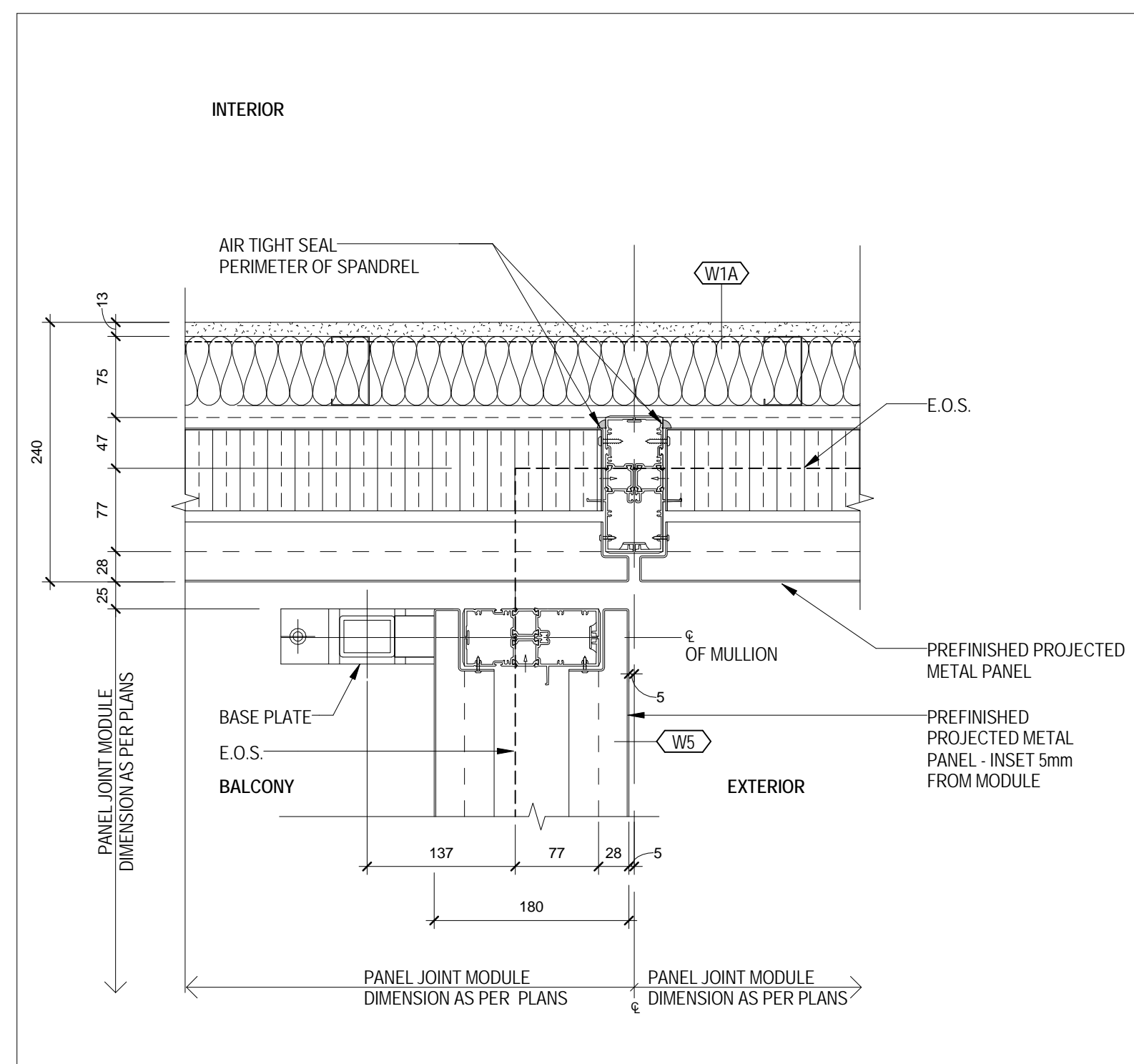
11 EXTERIOR WALL CORNER - W1A TO W1C  
A 604 1:5



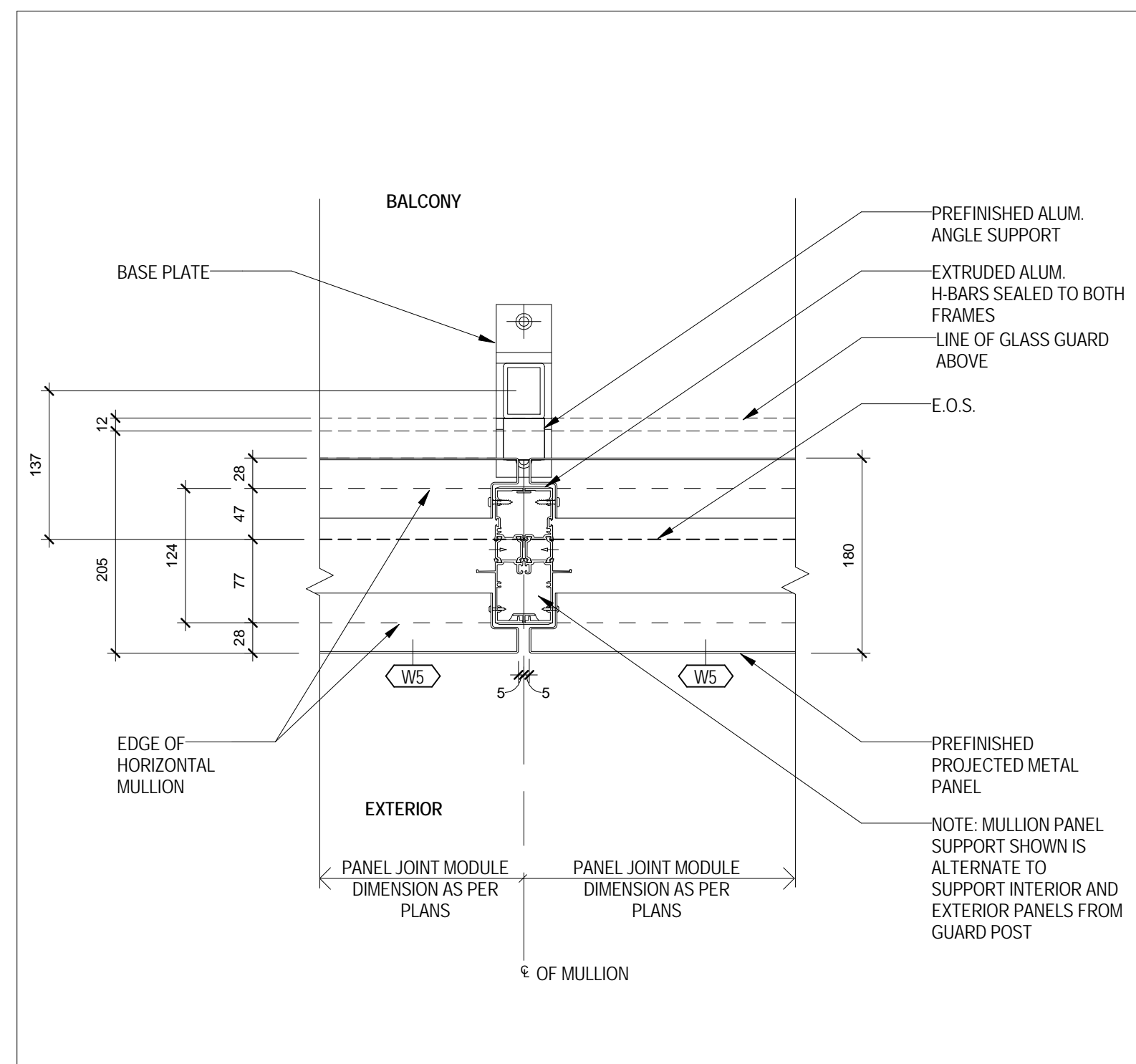
15 OPEN BALCONY - GLASS GUARD CORNER  
A 604 1:5



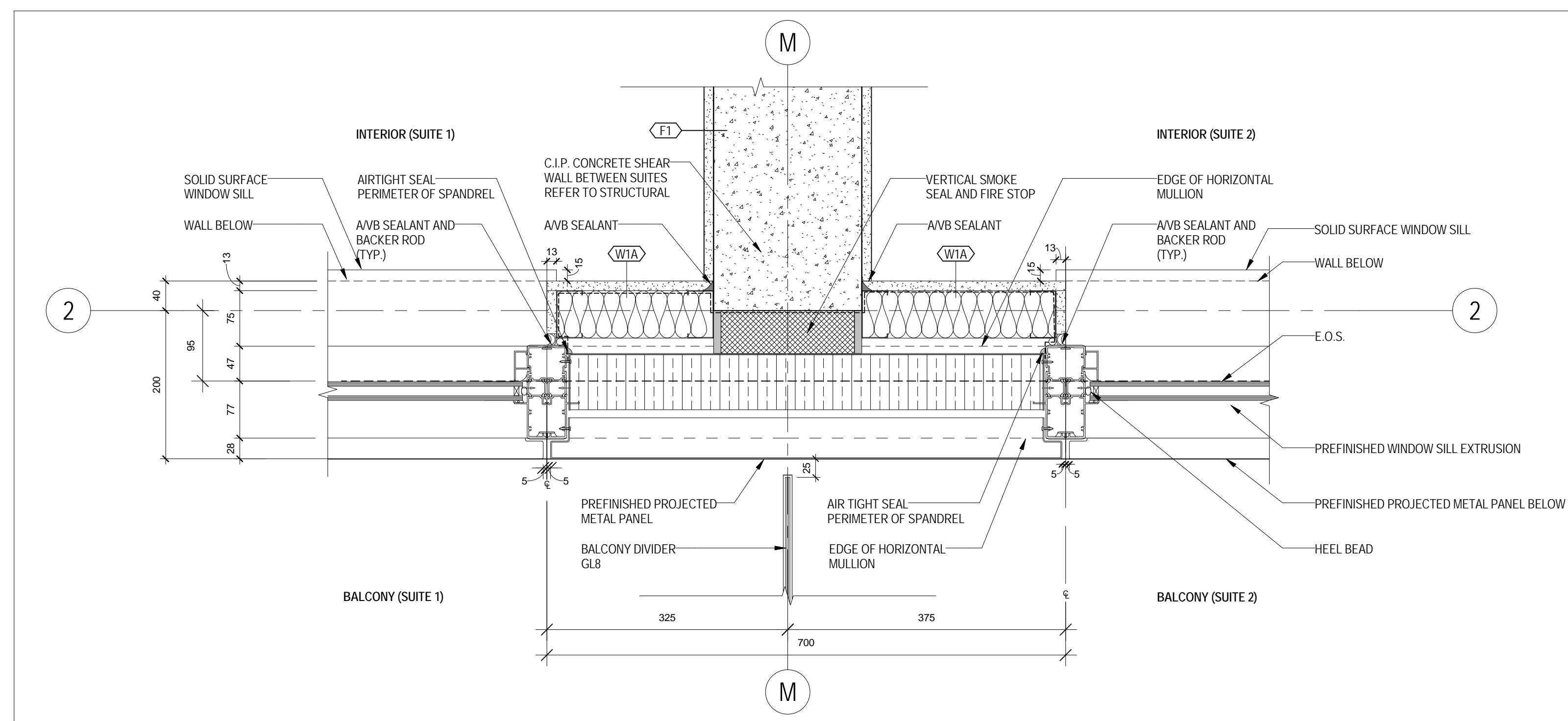
14 ENCLOSED BALCONY - CORNER  
A 604 1:5



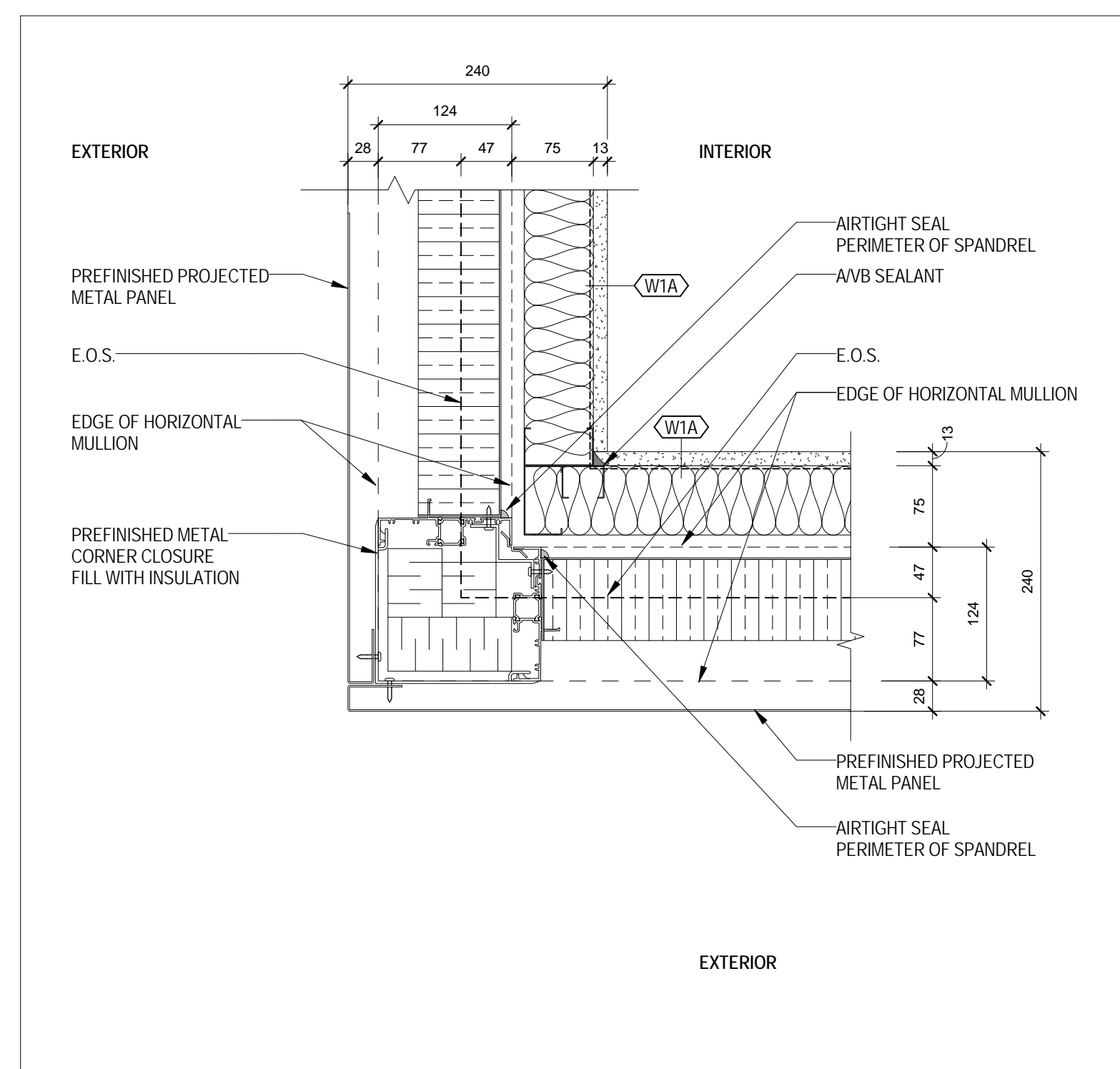
13 EXTERIOR WALL - AT OPEN BALCONY CONNECTION (LOW)  
A 604 1:5



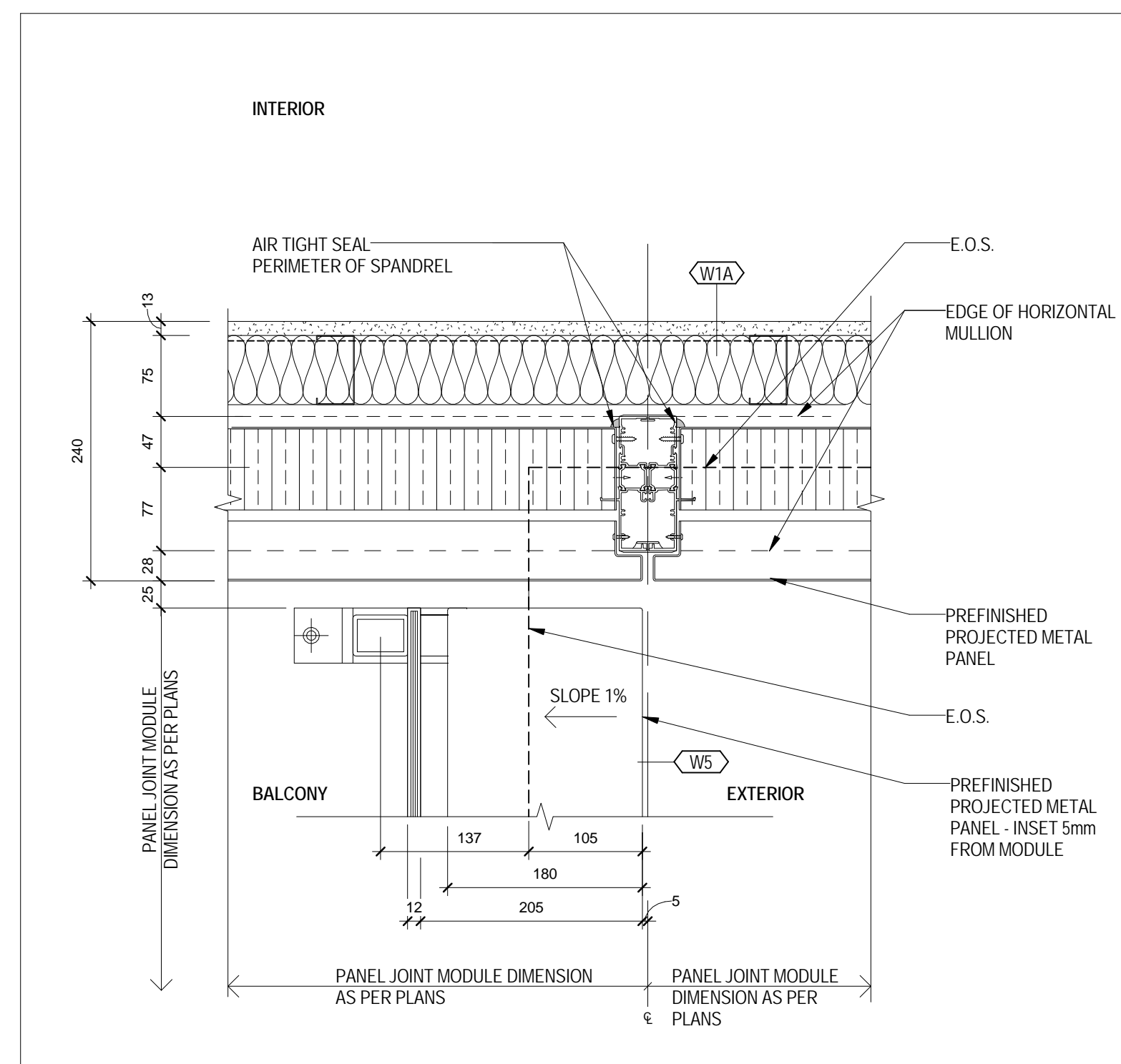
12 BALCONY - AT GLASS GUARD (LOW)  
A 604 1:5



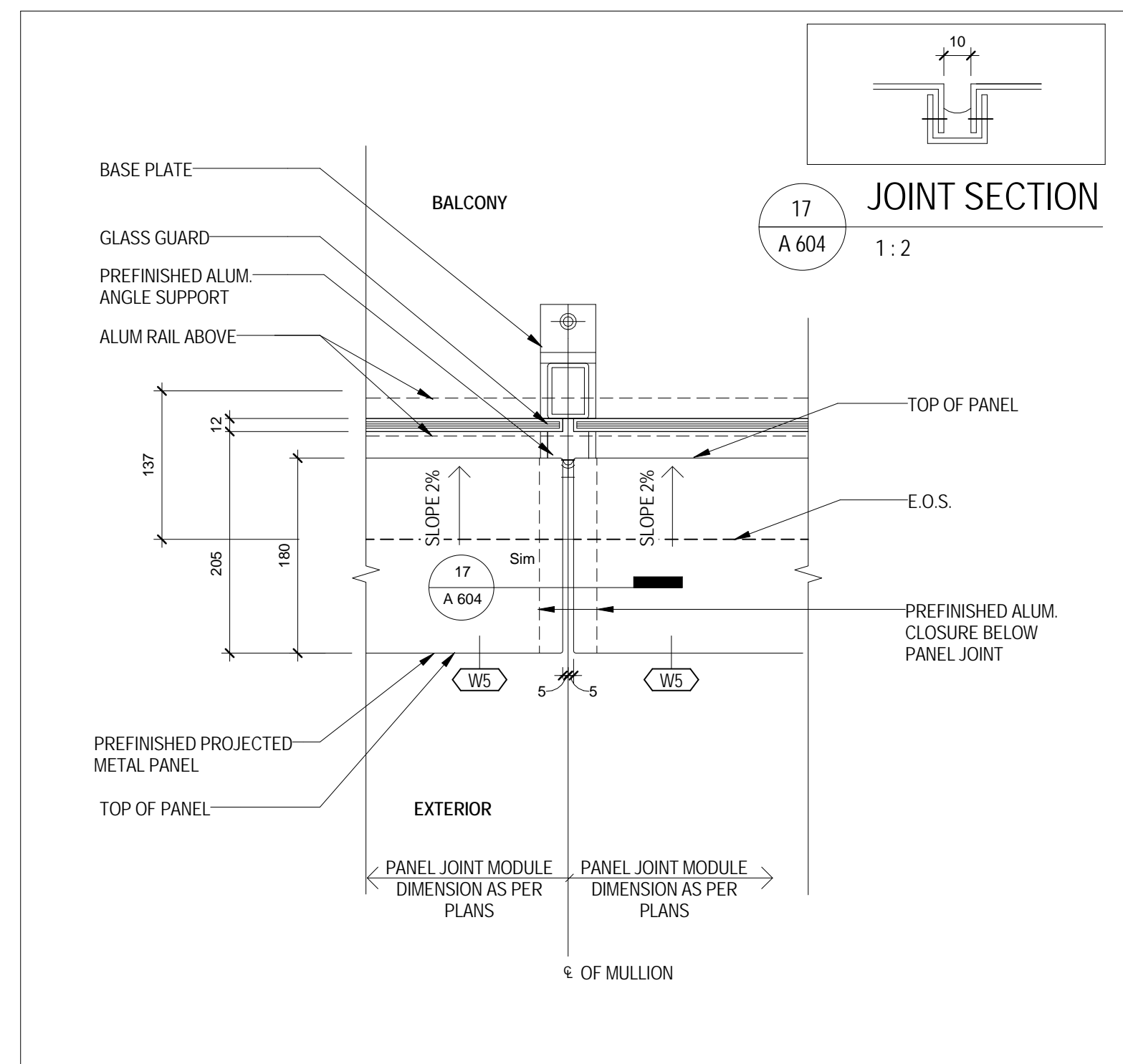
11 EXTERIOR WALL - AT BALCONY DIVIDER  
A 604 1:5



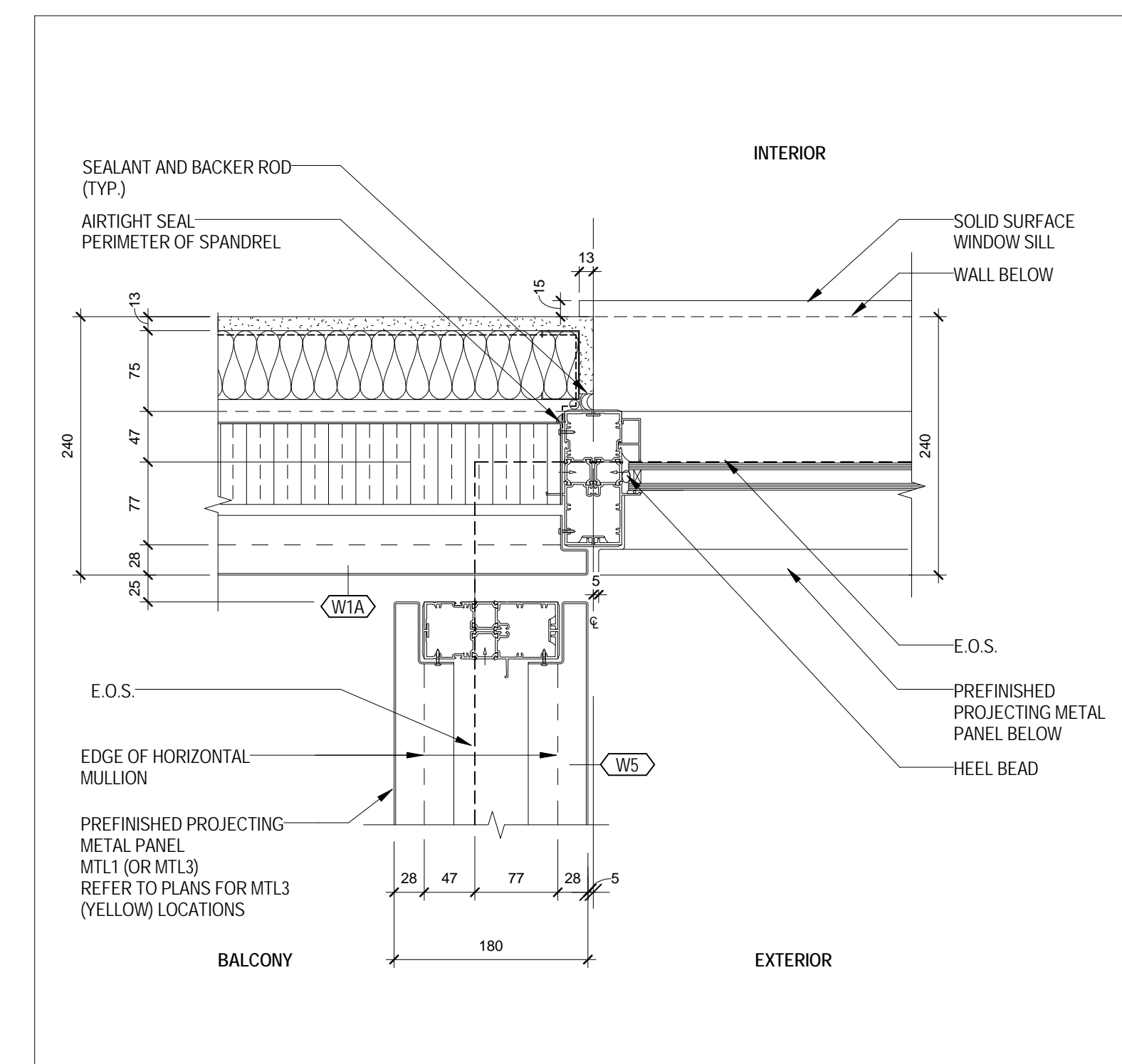
10 EXTERIOR WALL - CORNER  
A 604 1:5



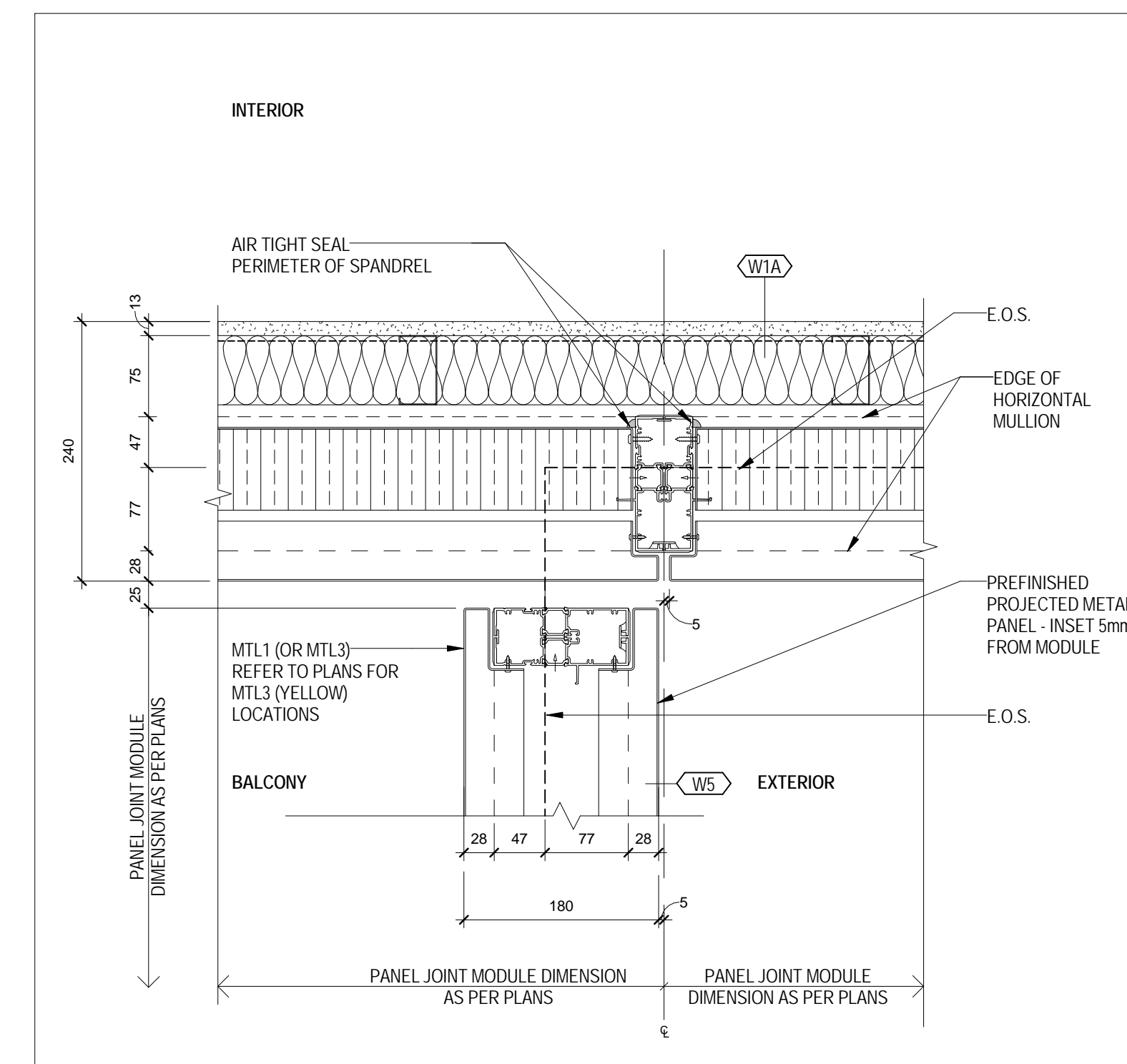
9 EXTERIOR WALL - AT OPEN BALCONY CONNECTION (HIGH)  
A 604 1:5



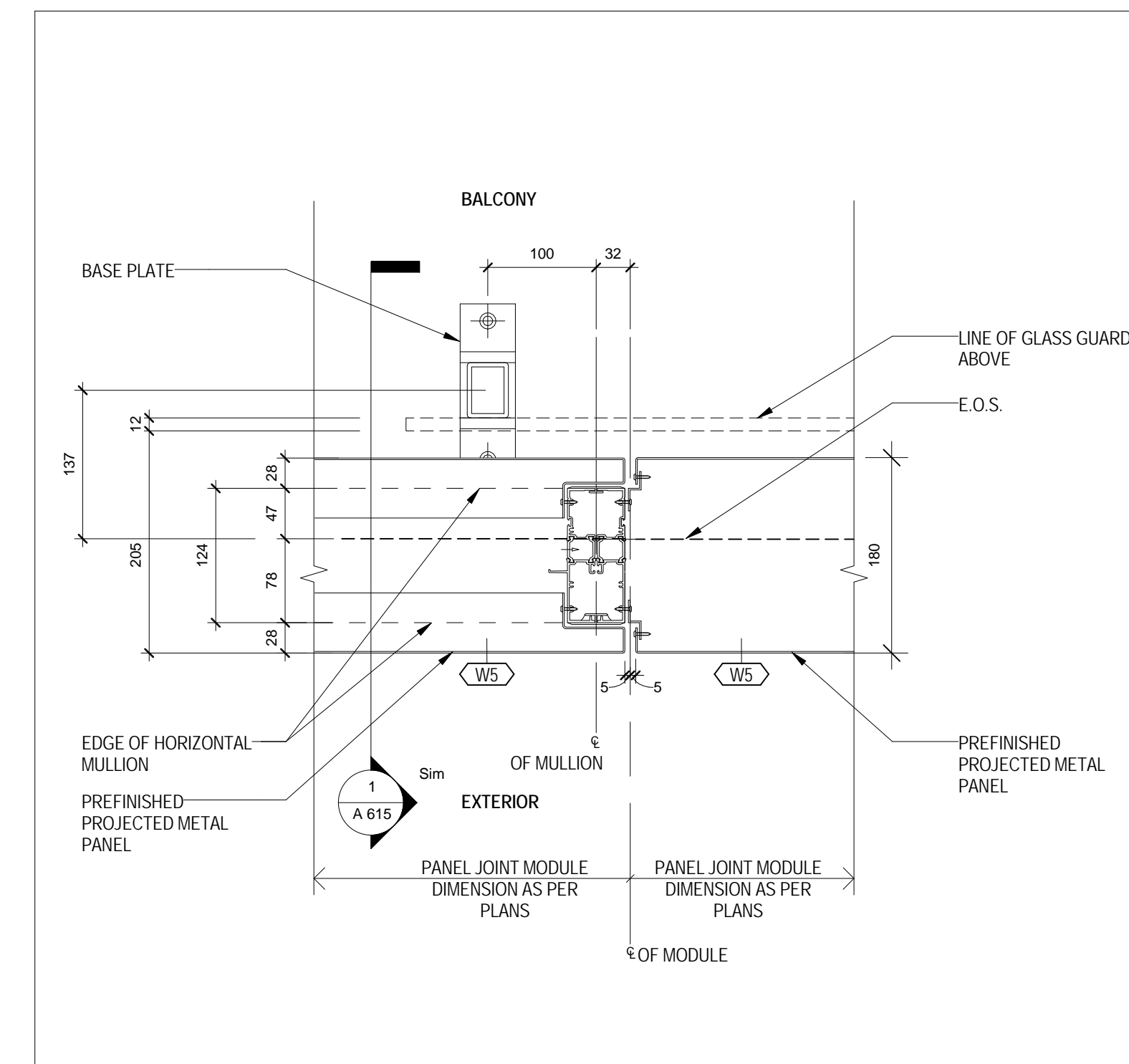
17 BALCONY - AT GLASS GUARD (HIGH)  
A 604 1:5



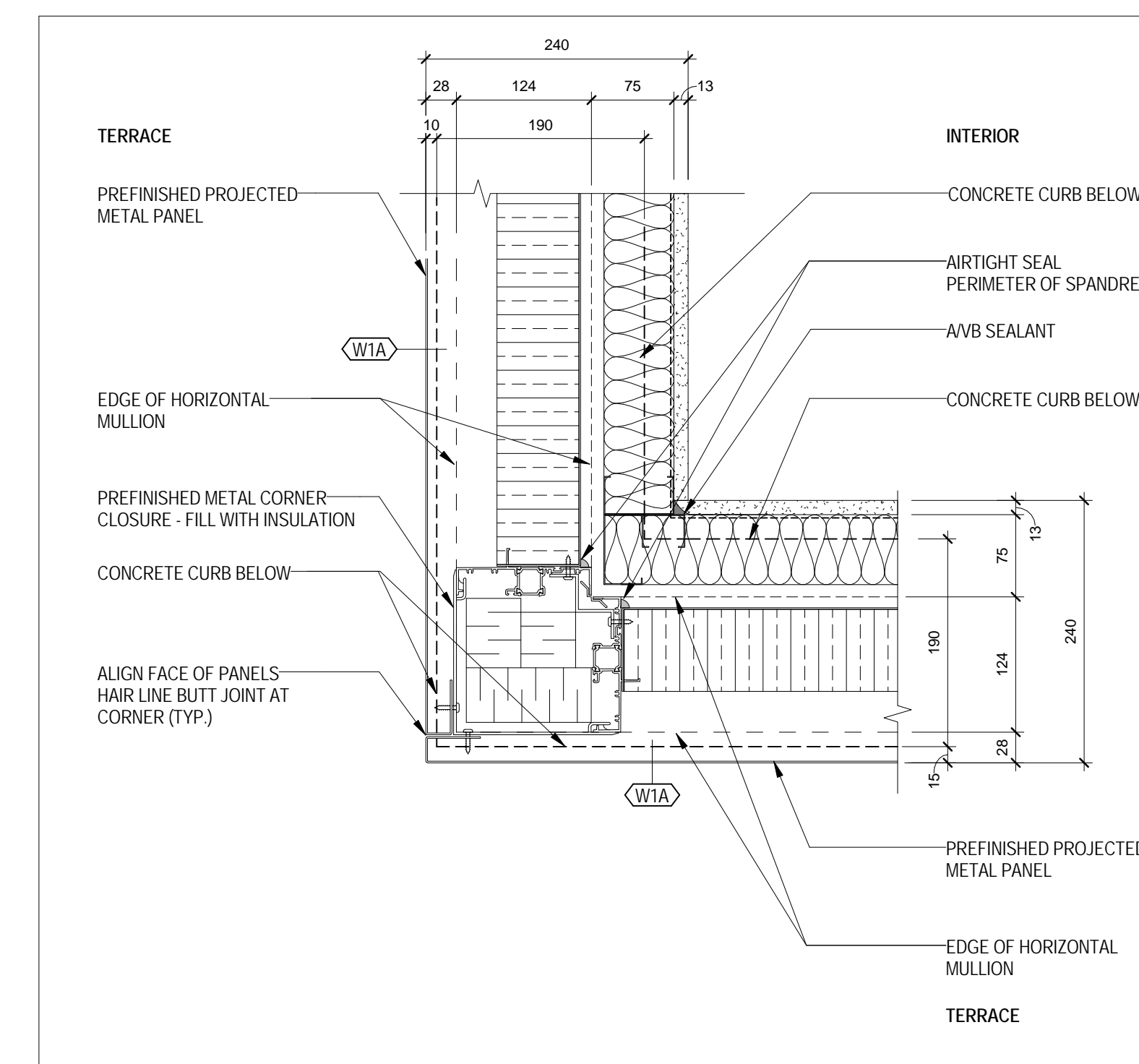
7 EXTERIOR WALL - GLAZING - AT BALCONY CONNECTION  
A 604 1:5



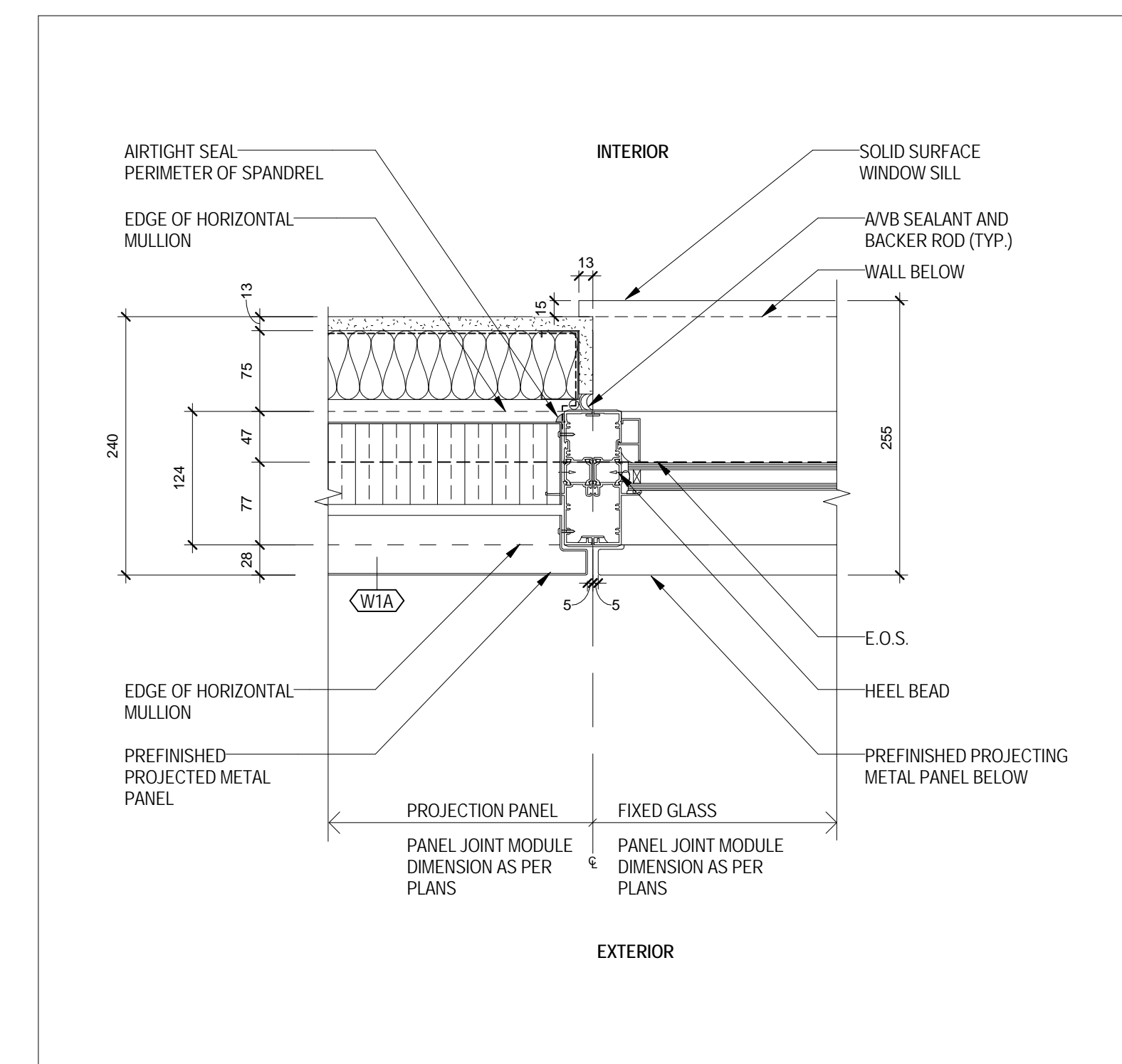
6 EXTERIOR WALL - AT ENCLOSED BALCONY CONNECTION  
A 604 1:5



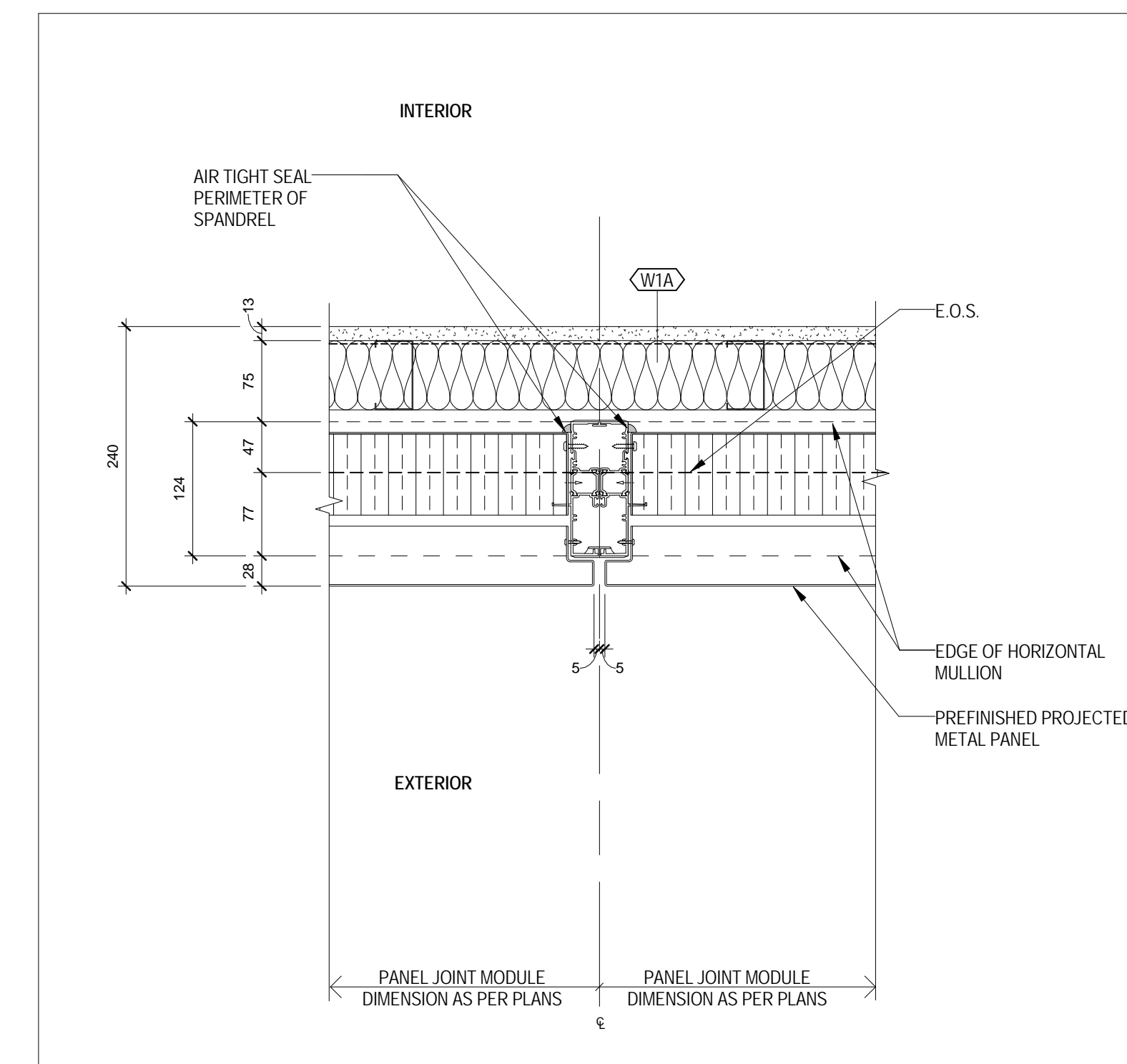
5 ENCLOSED BALCONY - AT GLASS GUARD (LOW)  
A 604 1:5



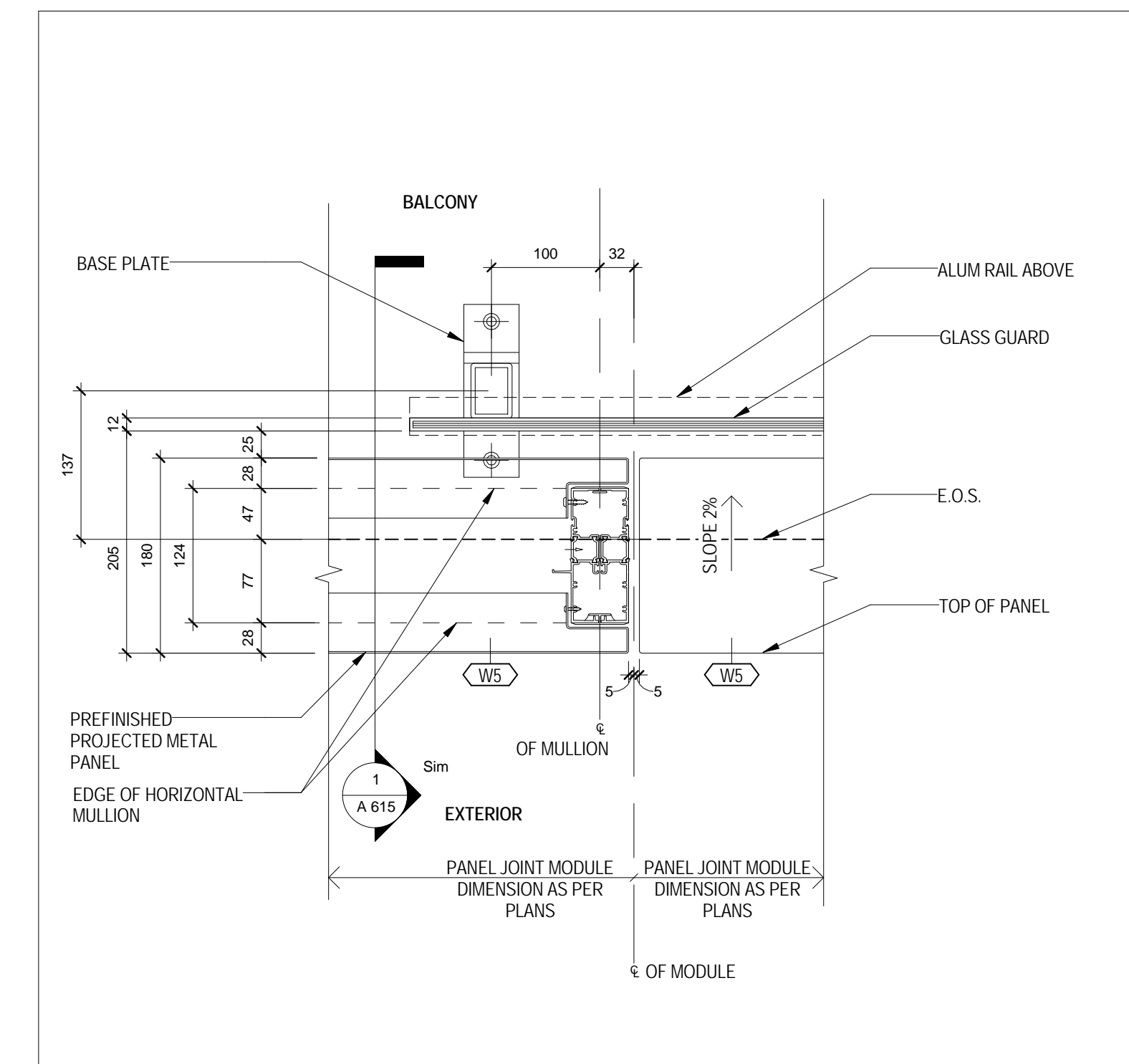
4 EXTERIOR WALL - CORNER - AT TERRACE  
A 604 1:5



3 EXTERIOR WALL - GLAZING  
A 604 1:5



2 EXTERIOR WALL - AT PANEL CONNECTION  
A 604 1:5



1 ENCLOSED BALCONY - AT GLASS GUARD (HIGH)  
A 604 1:5

12-115  
SCALE: 1:5  
DRAWN BY: TAJ  
REVIEWED BY: HJ  
DATE: 2014-09-22

**SQ**  
SPADINA QUEEN  
**TRIDEL**

METRIC SCALE DRAWING  
FIRST FLOOR ELEV. +93.60m  
No. ISSUED/REVISIONS FOR DATE:

1	Issued for Coordination	2014-06-23
2	Revised for Panel	2014-07-01
3	Revised for Panel	2014-09-22
4	Issued for Tender	2014-09-28
5	Issued for Tender	2014-09-28
6	Issued for Tender	2015-05-05
7	Issued for Special Tender	2015-09-19

**SQ ALEXANDRA PARK - BLOCK 11**  
38 CAMERON ST., TORONTO, ONTARIO M5T 2H2

project no. 12-115  
scale: 1:5  
drawn by: TAJ  
reviewed by: HJ  
date: 2014-09-22

Teepie Architects

12-115  
SCALE: 1:5  
DRAWN BY: TAJ  
REVIEWED BY: HJ  
DATE: 2014-09-22

PLAN DETAILS - TYPICAL

A 604