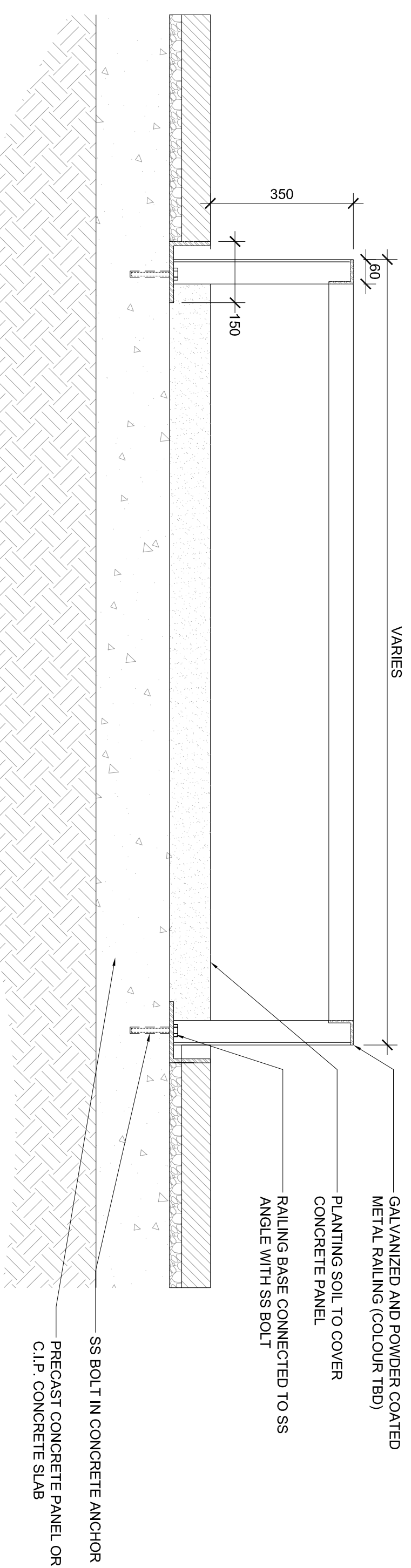
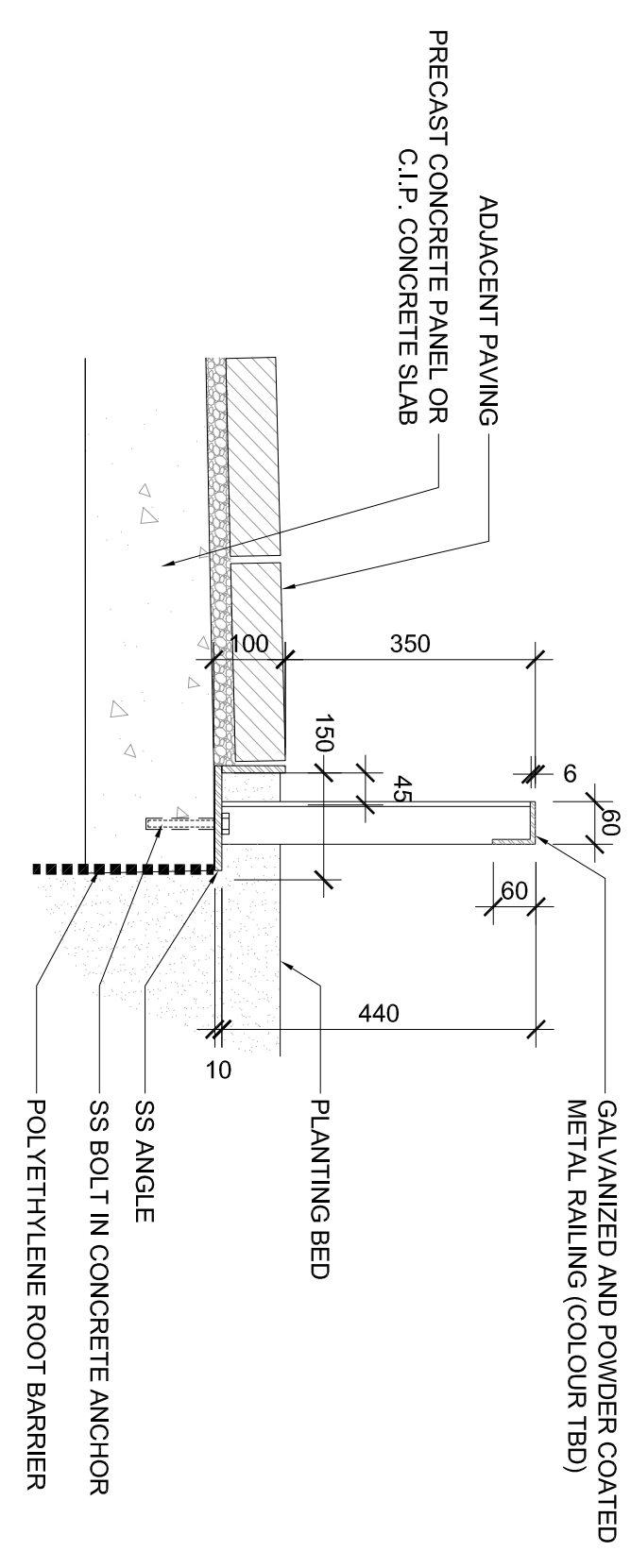


AXONOMETRIC



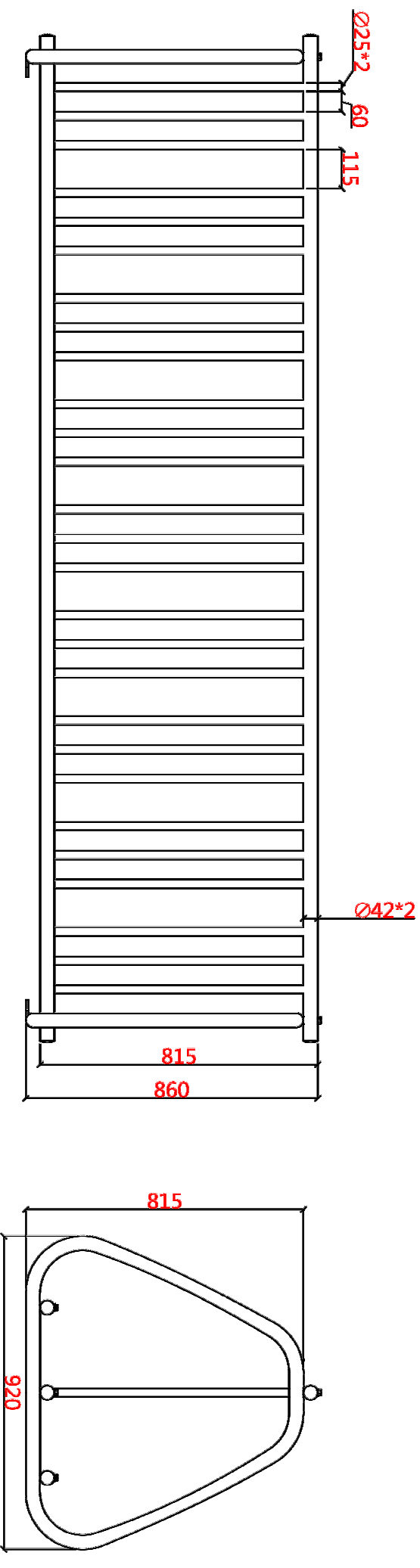
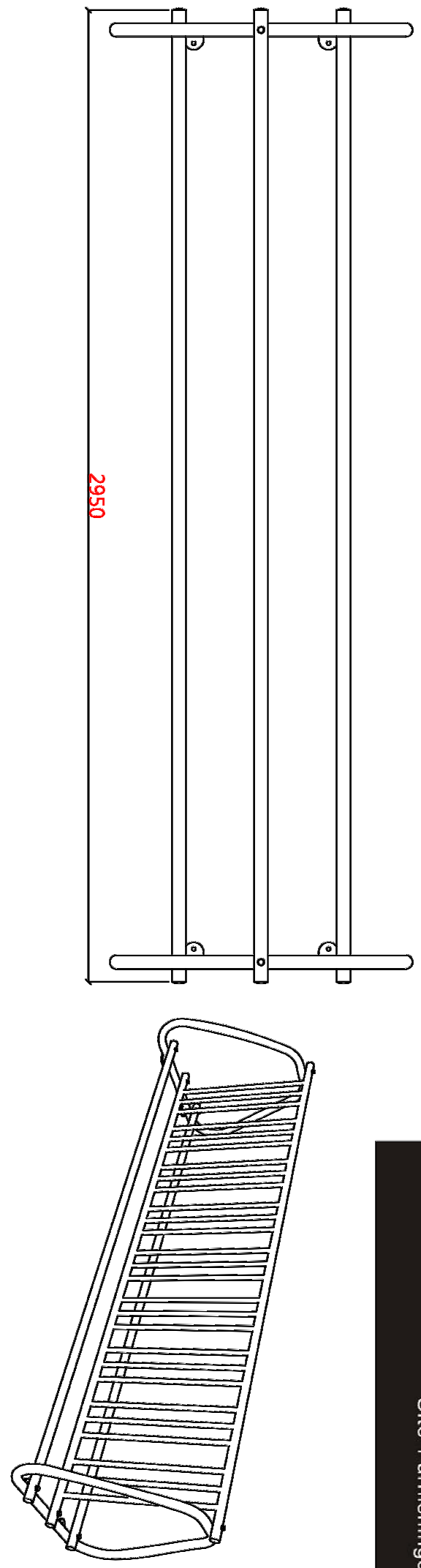
SECTION - PARALLEL TO STREET



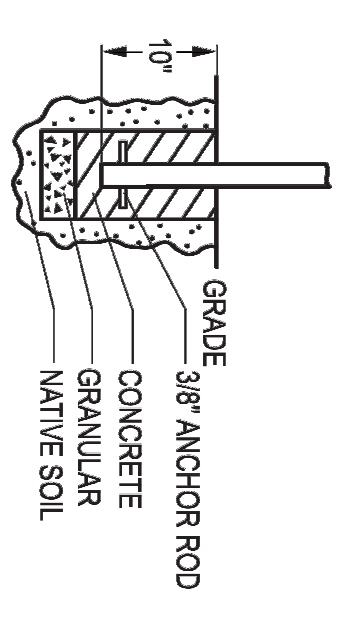
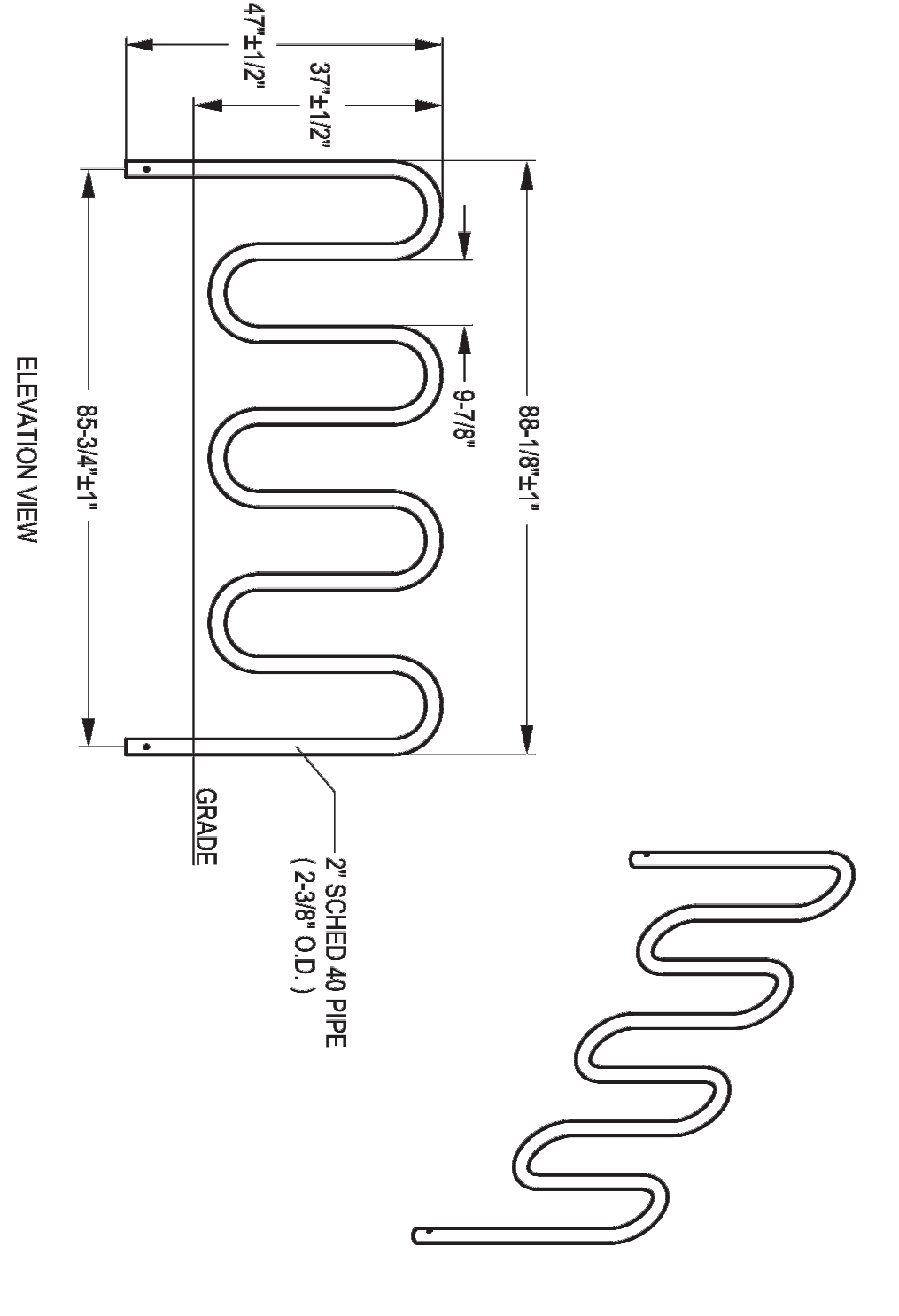
SECTION - PERPENDICULAR TO STREET

1 METAL PLANTING BED RAILING  
SCALE: 1:10

# CAH-708



2 BIKE RACK: TRADITIONAL BIKE RACK BY CANNAAN  
SCALE: NTS



3 BIKE RACK: HEAVY-DUTY CHALLENGER BY BELSON  
SCALE: NTS

- ISSUE
- 2013-03-18 ISSUED FOR COORDINATION
  - 2013-03-26 ISSUED FOR SITE PLAN APPROVAL
  - 2014-01-10 ISSUED FOR PERMIT APPROVAL
  - 2014-05-29 ISSUED FOR PERMIT COORDINATION
  - 2014-06-19 ISSUED FOR COORDINATION
  - 2014-07-15 ISSUED FOR PERMIT COORDINATION



**Janet Rosenbergs Studio**  
Landscape Architecture and Urban Design  
1 416 668 6665 / 416 668 5758 www.jrstudios.ca  
148 Kennedy Avenue, Toronto, Ontario M6Z 2S3 Canada

TRIDEL  
TORONTO COMMUNITY HOUSING CORPORATION

ALEXANDRA PARK  
PHASE 1A

LANDSCAPE DETAILS

SCALE: AS NOTED  
DRAWN: JRS  
CHECKED: JRS  
PROJECT NUMBER: 13-101  
DRAWING DATE: 2013-02-28

# L302