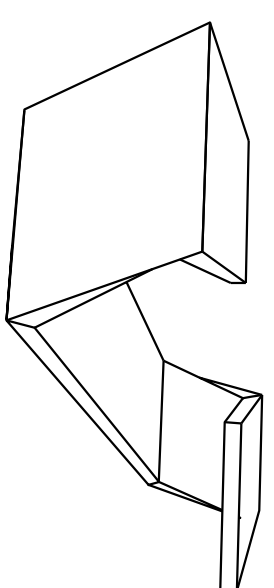


CARACTERÍSTICAS

MATERIAL: hormigón armado  
 COLOR: gris granito / beige  
 ACABADO: decapado e hidroligado  
 COLOCACION: simplemente apoyado  
 PESO: 250 Kg  
 PALET: 120 X 210

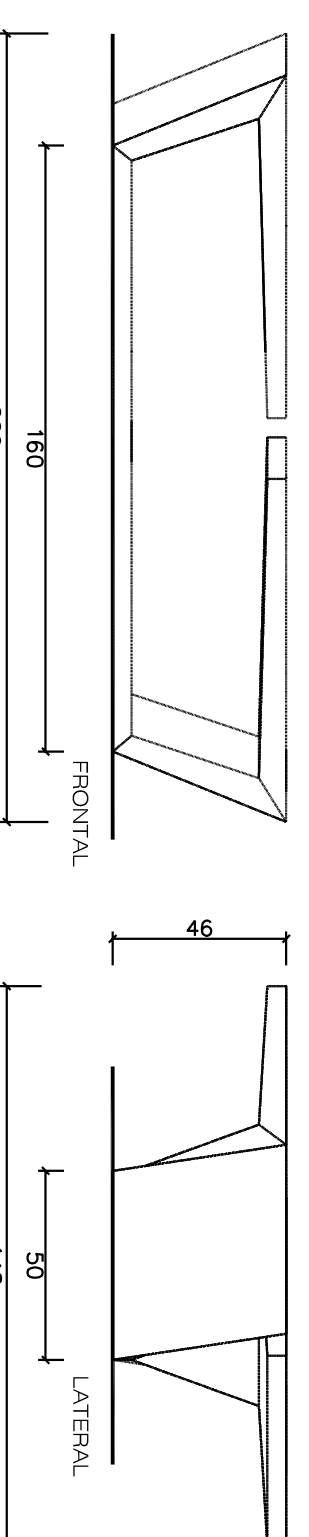
DISEÑO / DESIGN: Catedra Blanca UPV / CENEX

MATERIAL: reinforced cast stone  
 COLOR: granite grey / beige  
 FINISH: acid etched and waterprotected  
 FINISH: free-standing  
 WEIGHT: 250 Kg  
 PALETTE: 120 X 210

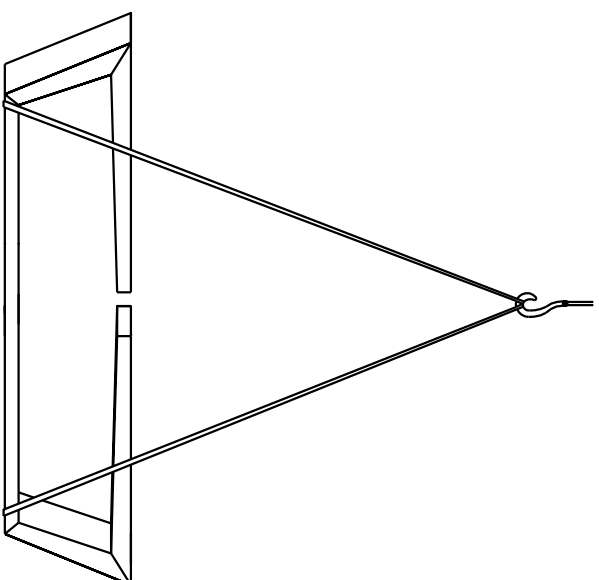


GEOMETRIA

ESCALA 0 CM 50 CM

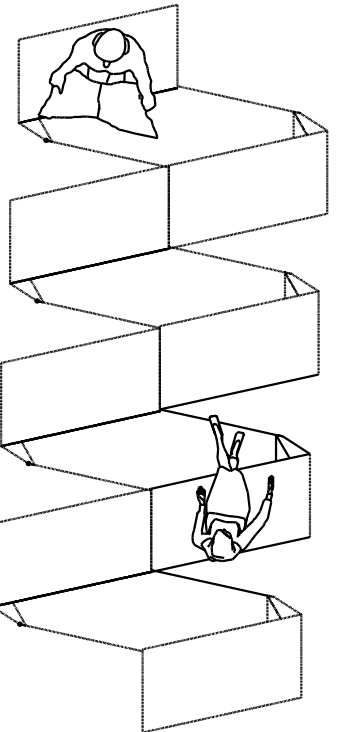


elevación / rising  
 (P=345 kg)



BANCO APOYADO SIN ANCLAJE  
 FREE-STANDING BENCH

EJEMPLOS DE AGREGACION



1 BENCH DETAIL  
 SCALE: 1:20

BANDA DOBLADA®

**escofet** OFICINA TÉCNICA . Barcelona . tel. 93 318 50 50 . www.escofet.com

b.25

**Toronto**  
 Urban Forestry Services

Parks and Recreation Division  
 June 2002  
 Detail PD -101

- Cut, loosen and roll back approx. 1/2 of (wire, burlap and wire on rootball).
- All wire and burlap must be biodegradable.
- Backfill in 150 mm lifts and tamp to prevent air pockets.
- Add sandy loam soil if additional backfill is required. Soil to consist of: 20-40% sand 6-10% silt 2-5 % organic 7-9 pH or less
- Carefully remove any loose soil around trunk. Top of rootball should not be disturbed or covered with soil.
- Soak backfilled area to ensure full contact between rootball and backfill.
- Remove wrap from trunk and inspect for damage.
- Stakes not to be installed on Balled and Burlapped trees.
- Trees shall bear same relation to grade as it bore to it's previously existing grade. Plant tree 50 - 100 mm above cleared grade to allow for some settling.
- From a soil sander 125 mm in depth and fill with water. Soon after water has been absorbed, cover with approx. 100 mm of woodchip mulch tapered to ground level at the trunk.

2 PLANTING DETAIL FOR BALLED AND BURLAPPED TREES  
 SCALE: NTS

NOTES

LEGEND

ISSUE

- 6 2014-06-19 ISSUED FOR COORDINATION
- 5 2014-07-15 ISSUED FOR PERMIT COORDINATION
- 4 2014-05-29 REISSUED FOR SITE PLAN APPROVAL
- 3 2014-01-10 REISSUED FOR SITE PLAN APPROVAL
- 2 2013-03-26 ISSUED FOR SITE PLAN APPROVAL
- 1 2013-03-18 ISSUED FOR COORDINATION



**Janet Rosenbergl Studio**  
 Landscape Architecture and Urban Design  
 1 416 668 6665 1 416 668 5756 www.jrstudios.ca  
 148 Kennedy Avenue, Toronto, Ontario M6Z 2S3 Canada

TRIDEL  
 TORONTO COMMUNITY HOUSING CORPORATION  
 ALEXANDRA PARK PHASE 1A

LANDSCAPE DETAILS

SCALE: AS NOTED  
 DRAWN: JRS  
 CHECKED: JRS  
 PROJECT NUMBER: 13-101  
 DRAWING DATE: 2013-02-28

L303