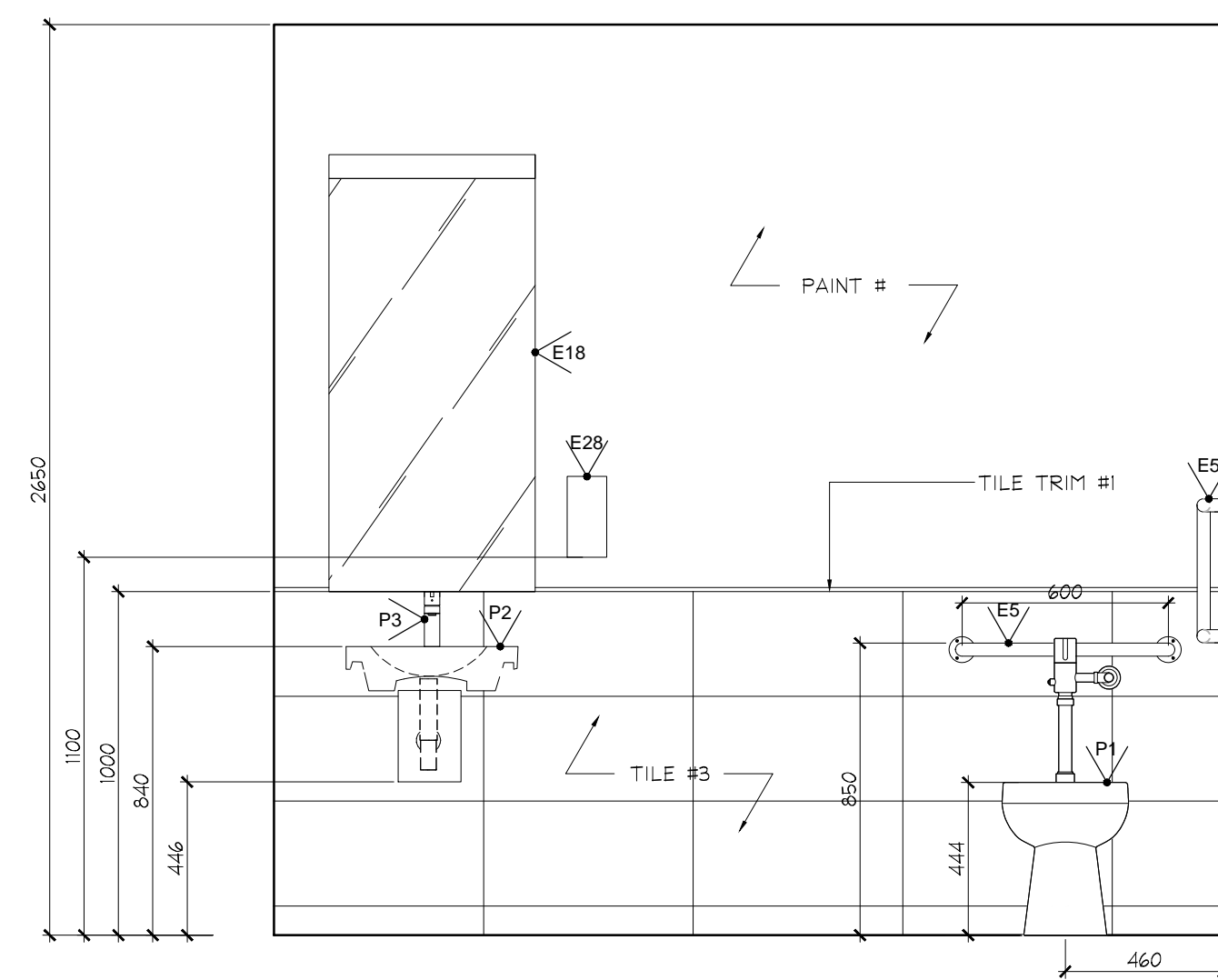


DO NOT SCALE DRAWINGS.

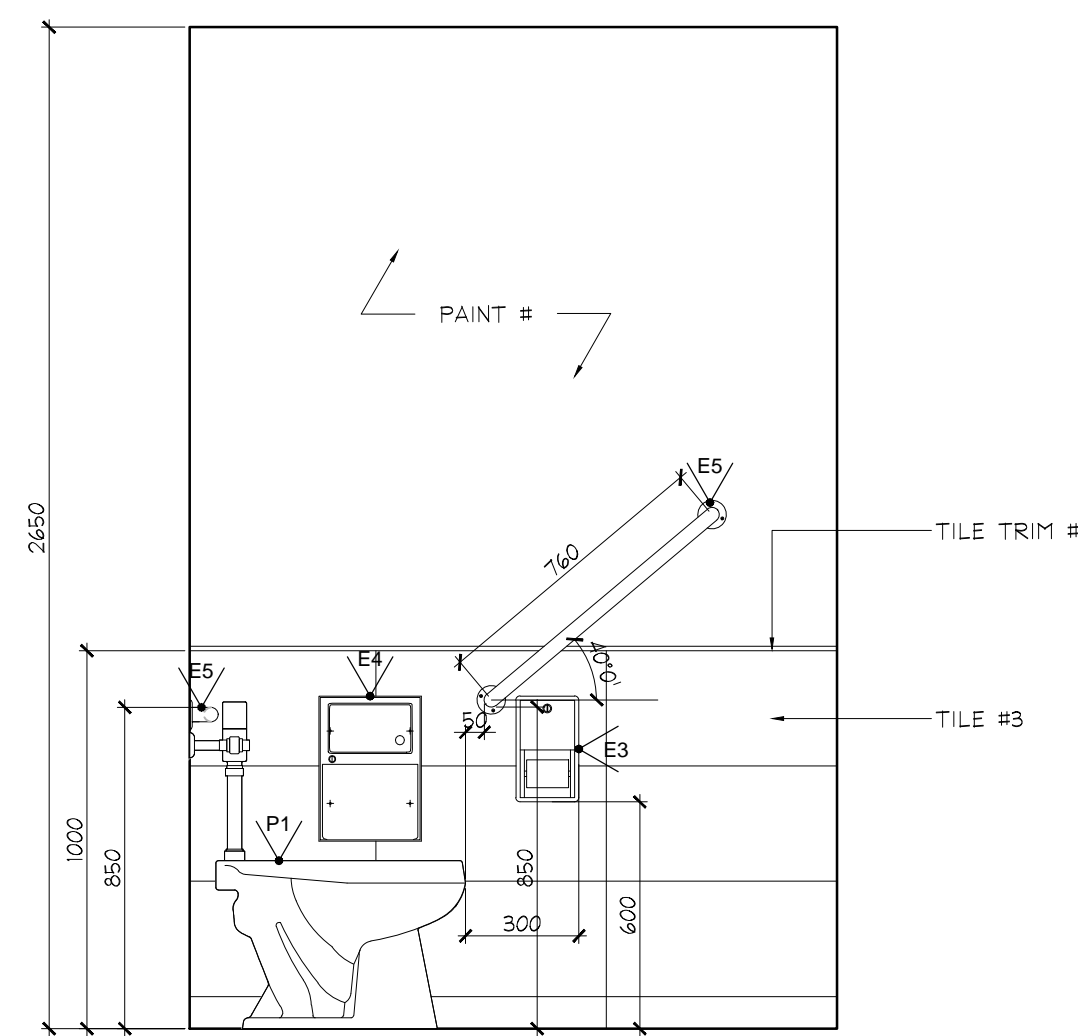
CONTRACTOR MUST VERIFY ALL DRAWINGS, DIMENSIONS, DETAILS AND SPECIFICATIONS, AND REPORT ANY DISCREPANCIES TO UNION 31 INC. BEFORE PROCEEDING WITH WORK. MATERIALS MAY NOT BE SUBSTITUTED WITHOUT WRITTEN APPROVAL FROM UNION 31 INC.
ALL DRAWINGS AND SPECIFICATIONS ARE INSTRUMENTS OF SERVICE AND THE PROPERTY OF UNION 31 INC. WHICH MUST BE RETURNED AT THE COMPLETION OF THE WORK.

PRINTED: 5/8/15

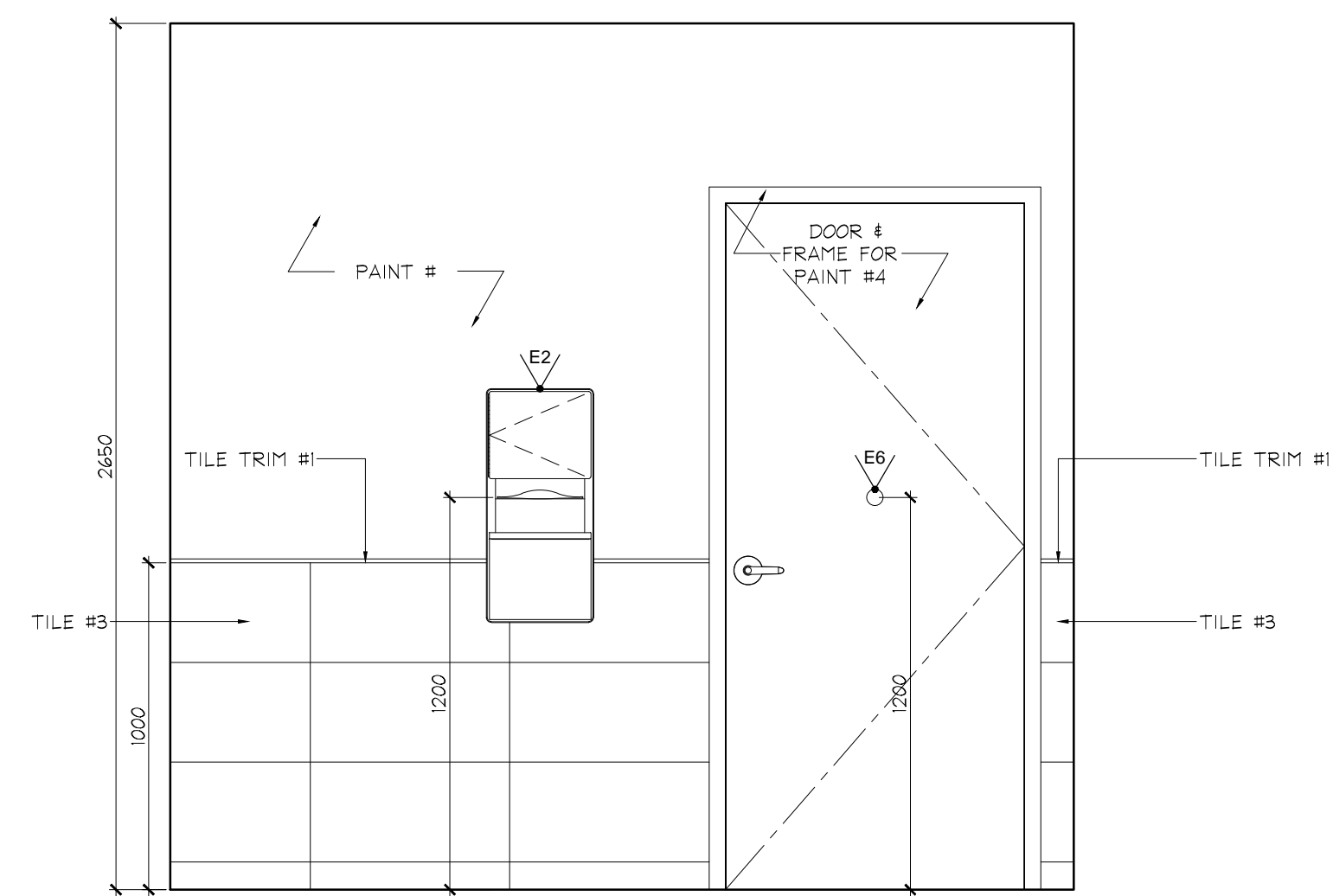
NOTE:
INSTALL ALL BARRIER FREE
HANDICAP COMPONENTS
ACCORDING TO OSC
REQUIREMENTS



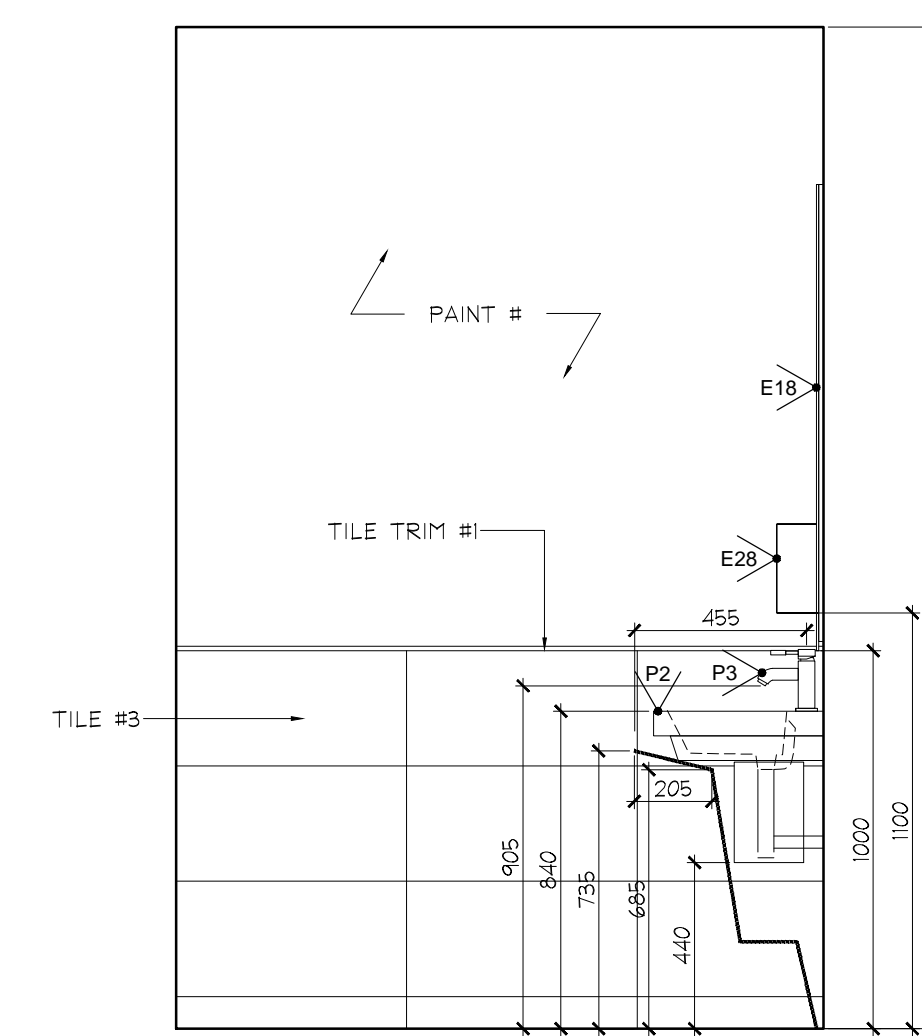
1 ELEVATION
ID2.2.0 9 TH FLOOR
AMENITY BATHROOM SCALE 1:20



2 ELEVATION
ID2.2.0 9 TH FLOOR
AMENITY SCALE 1:20



3 ELEVATION
ID2.2.0 9 TH FLOOR
AMENITY SCALE 1:20



4 ELEVATION
ID2.2.0 9 TH FLOOR
AMENITY SCALE 1:20

NO	DATE	COMMENTS	INI
03	06 MAR / 15	ISSUED FOR TILE TENDER	AP
02	26 JAN / 15	ISSUED FOR TENDER	AP
01	22 AUG / 14	ISSUED FOR PERMIT	AP

REVISIONS:

UNION31

UNION31 INC.
183 BATHURST STREET, STE. 201
TORONTO, ON, M5T 2R7, CANADA
TEL: 416-597-1576 FAX: 416-597-2139

PROJECT NAME:
**ALEXANDRA PARK
MAIN BUILDING**
BLOCK 11
ON, Canada

PROJECT NO.: 13-949

DRAWING'S:
**9 TH FLOOR
ELEVATIONS**

DATE STARTED: 07 AUG / 13	DRAWING NO.:
SCALE: 1 : 20	ID
DRAWN BY: AP	2.2.0
APPROVED BY: KC	