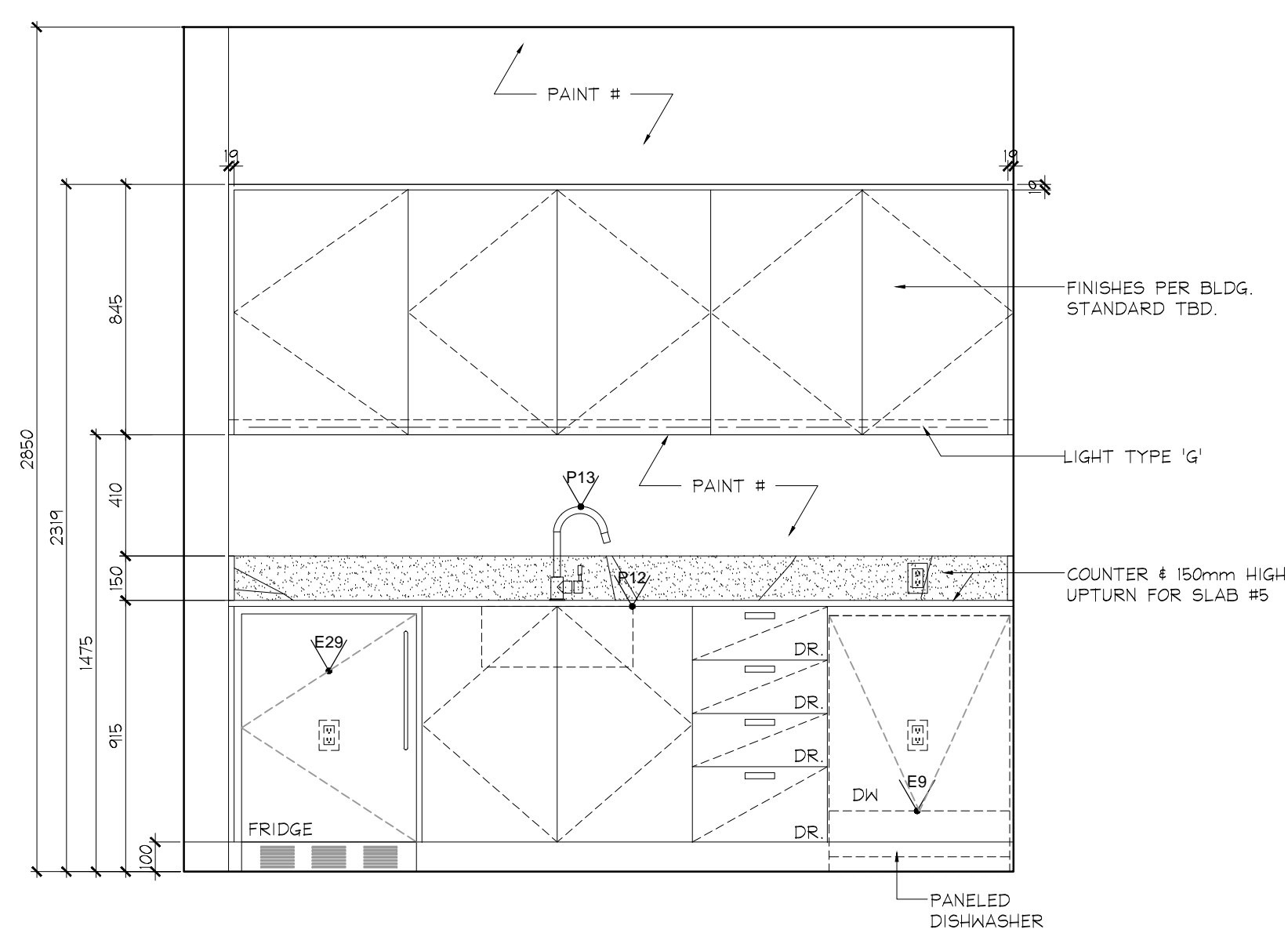


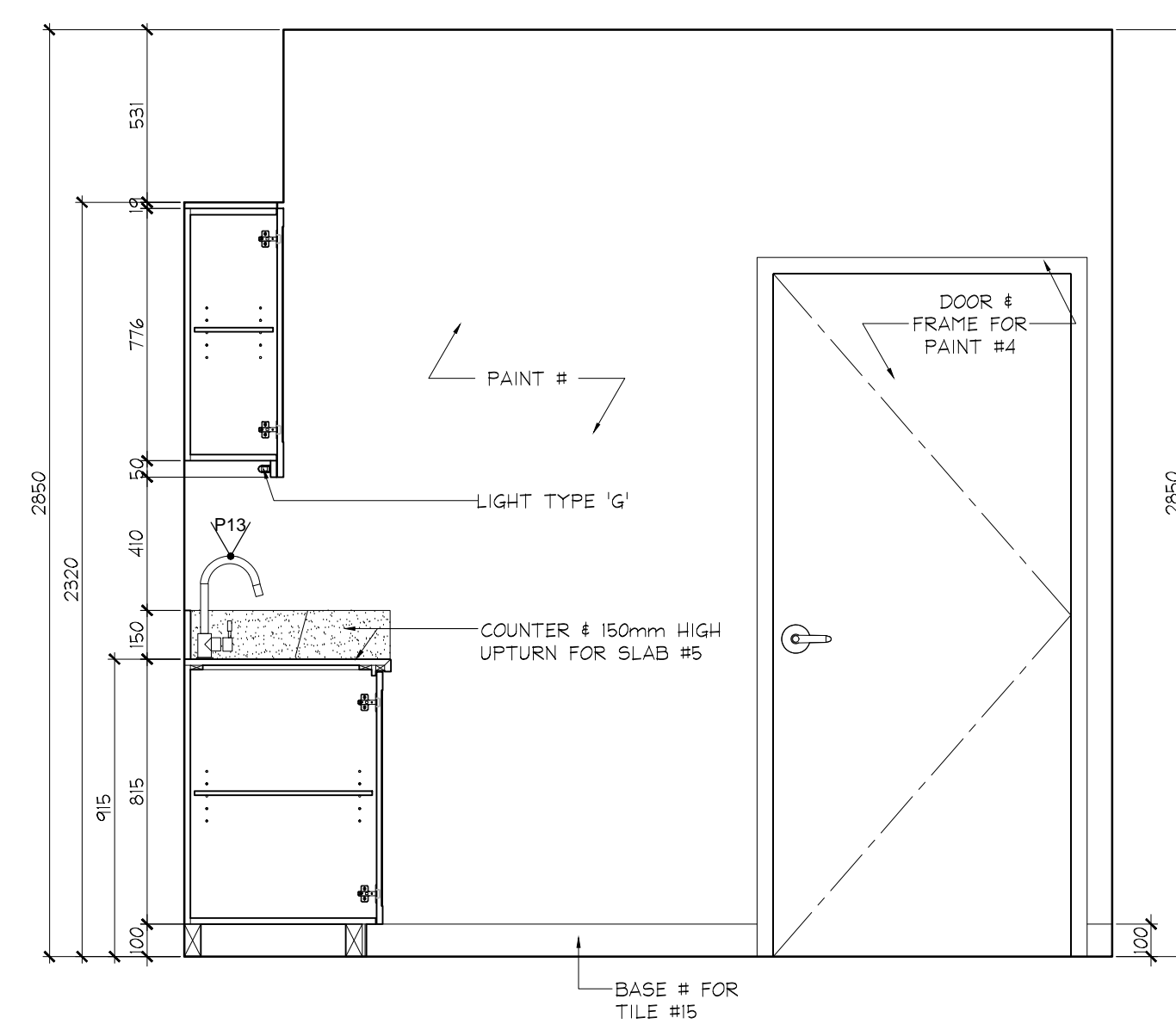
**DO NOT SCALE DRAWINGS.**

CONTRACTOR MUST VERIFY ALL DRAWINGS, DIMENSIONS, DETAILS AND SPECIFICATIONS, AND REPORT ANY DISCREPANCIES TO UNION 31 INC. BEFORE PROCEEDING WITH WORK. MATERIALS MAY NOT BE SUBSTITUTED WITHOUT WRITTEN APPROVAL FROM UNION 31 INC.  
ALL DRAWINGS AND SPECIFICATIONS ARE INSTRUMENTS OF SERVICE AND THE PROPERTY OF UNION 31 INC. WHICH MUST BE RETURNED AT THE COMPLETION OF THE WORK.

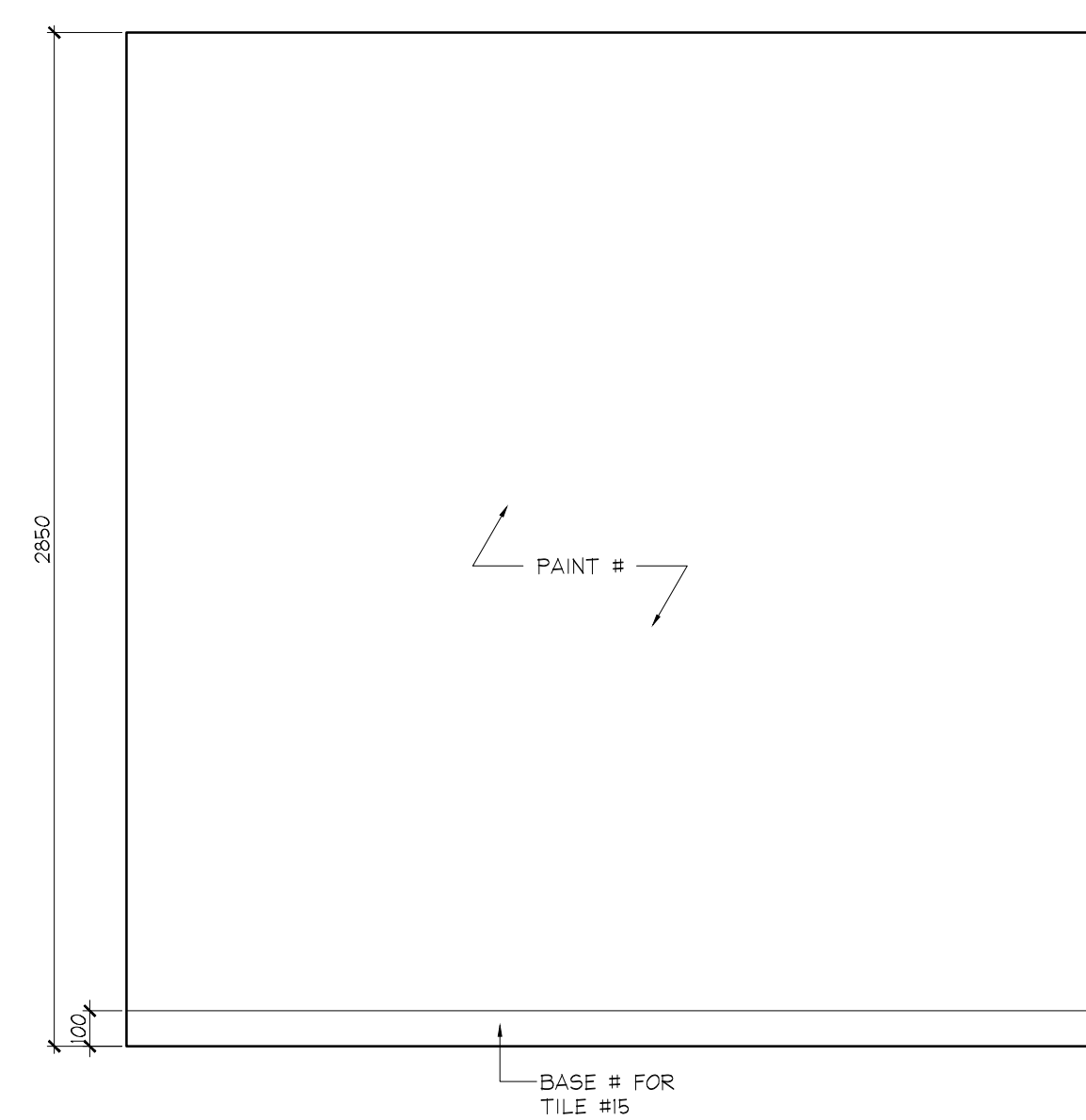
PRINTED: 28-May-15



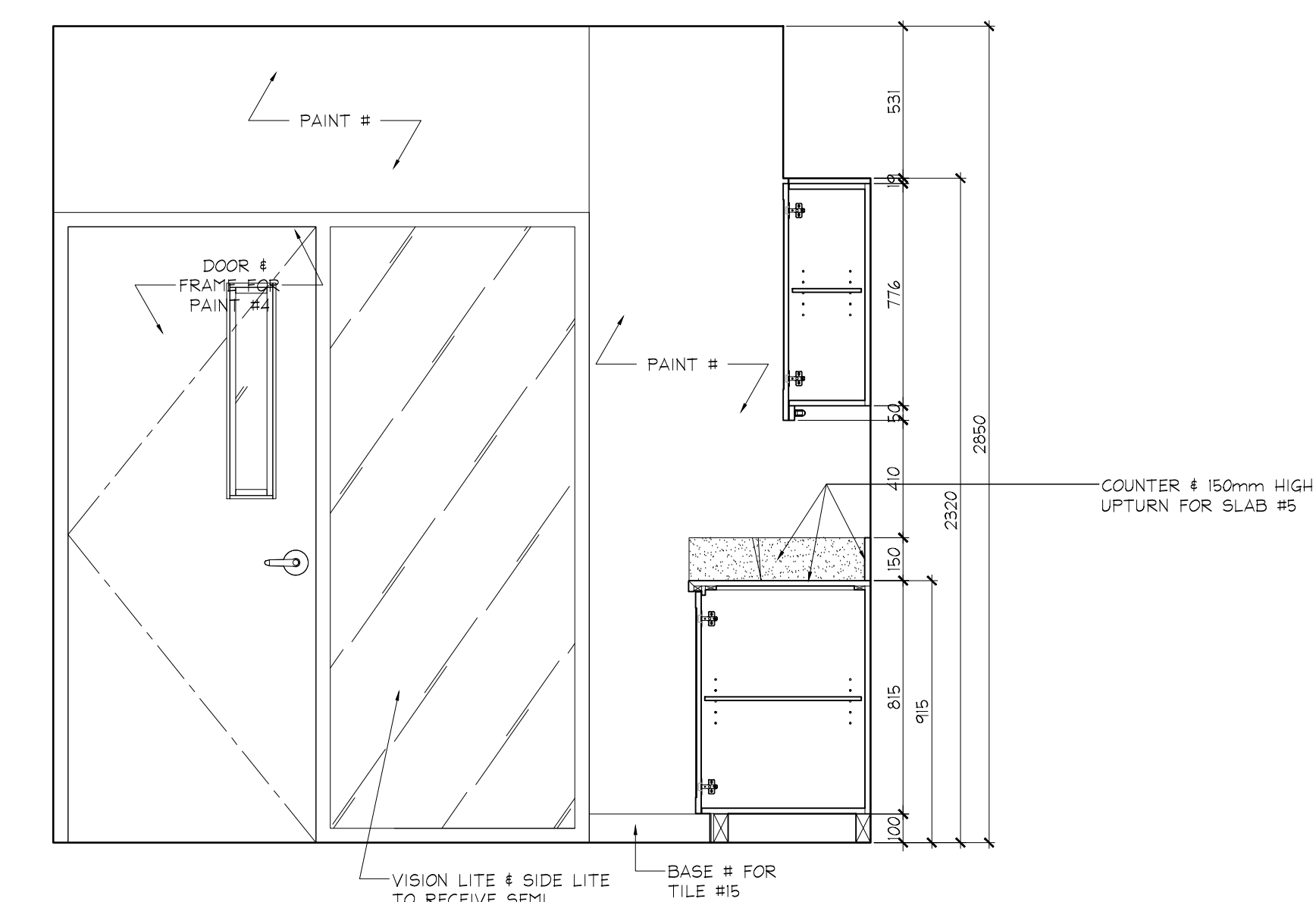
**1 ELEVATION**  
ID2.0.2 P1 LEVEL  
STAFF LUNCH ROOM  
SCALE 1:20



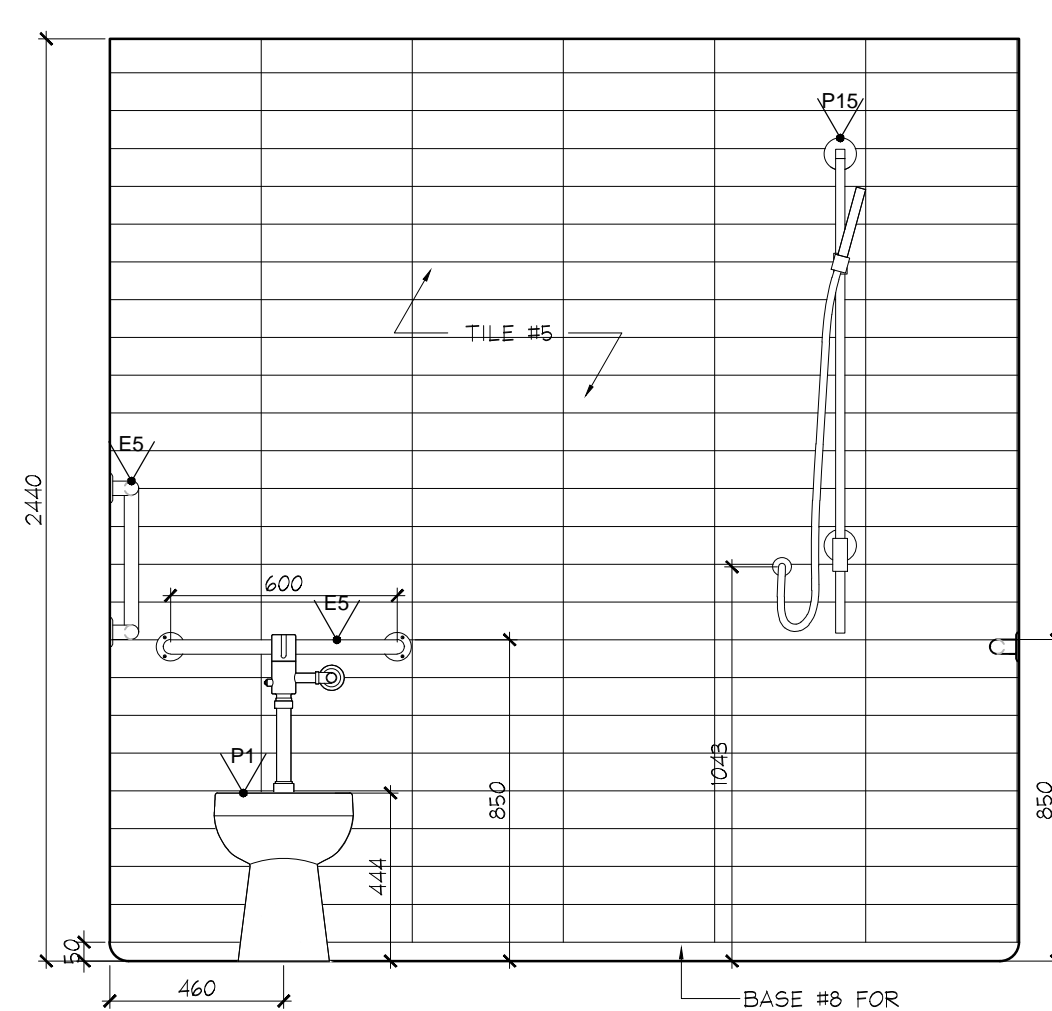
**2 ELEVATION**  
ID2.0.2 P1 LEVEL  
STAFF LUNCH ROOM  
SCALE 1:20



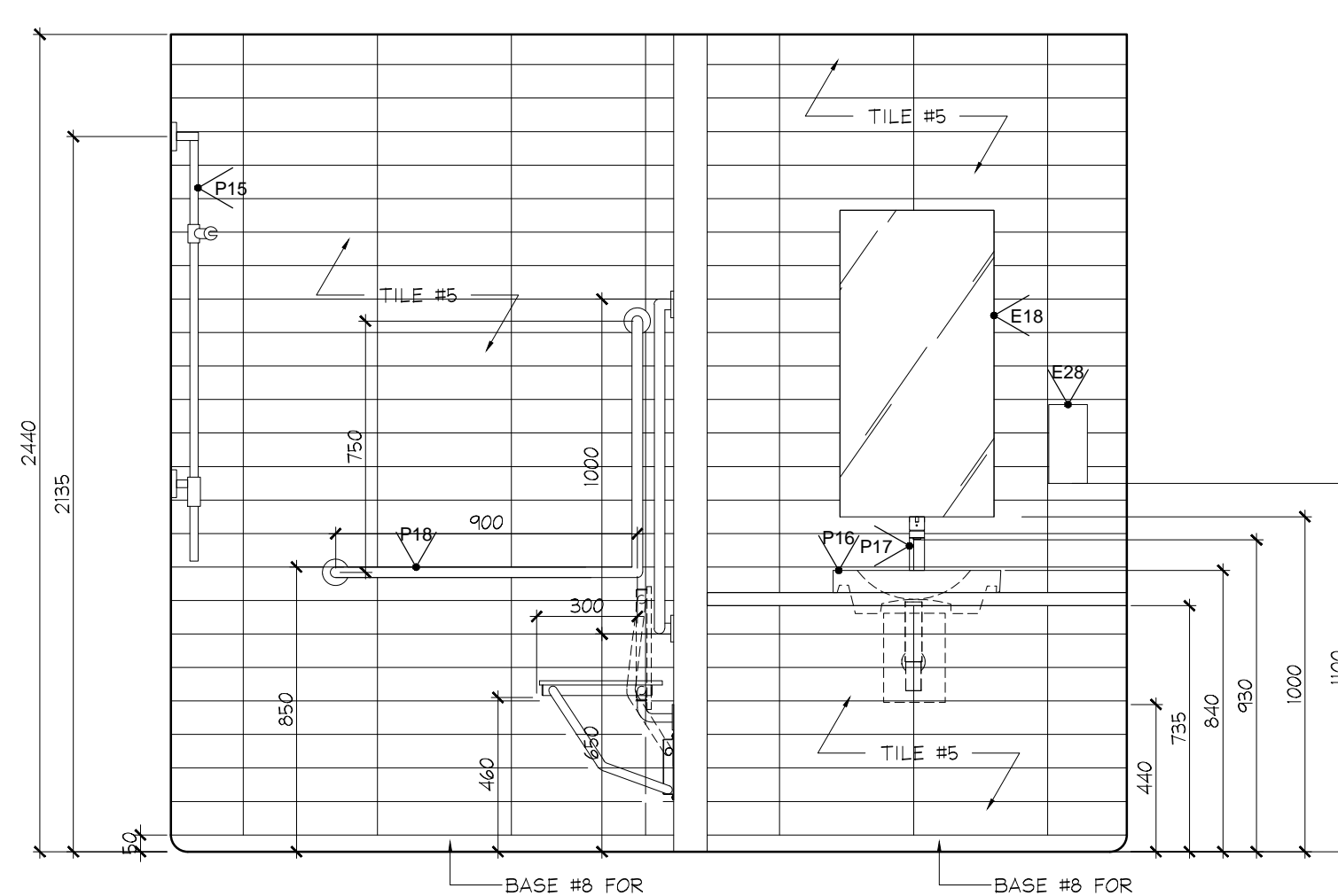
**3 ELEVATION**  
ID2.0.2 P1 LEVEL  
STAFF LUNCH ROOM  
SCALE 1:20



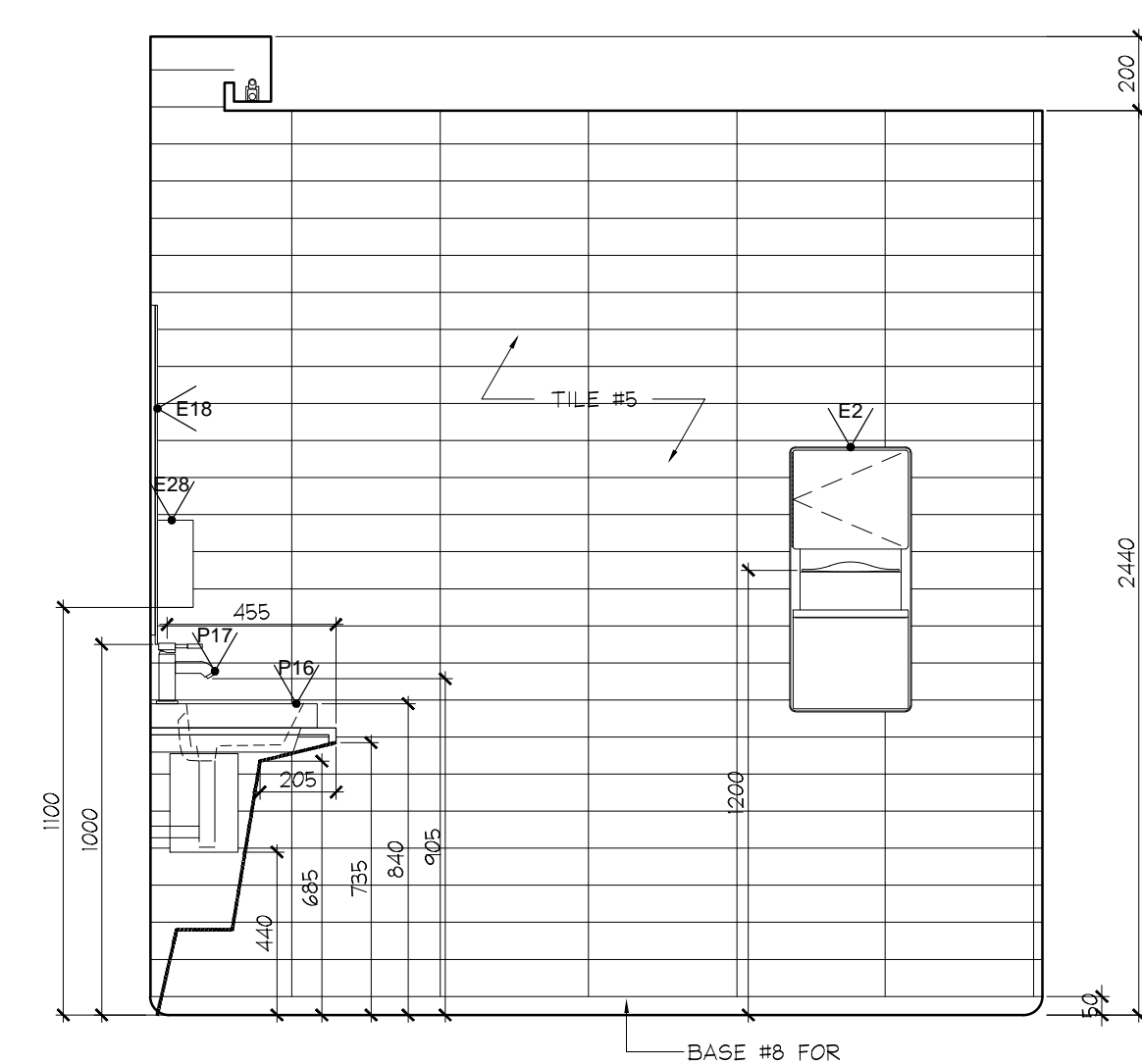
**4 ELEVATION**  
ID2.0.2 P1 LEVEL  
STAFF LUNCH ROOM  
SCALE 1:20



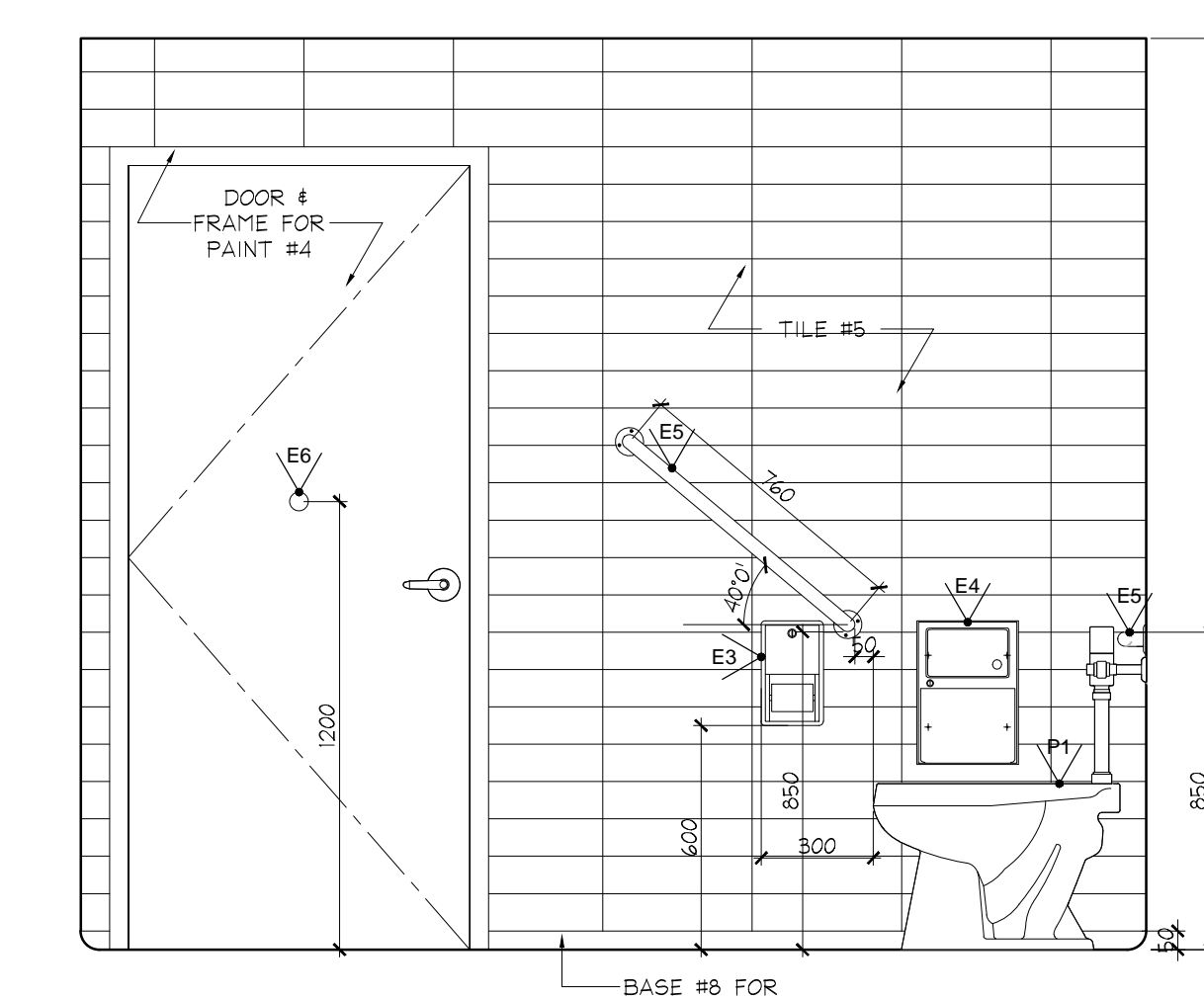
**5 ELEVATION**  
ID2.0.2 P1 LEVEL  
STAFF W/ CH/ SHOWER ROOM  
SCALE 1:20



**6 ELEVATION**  
ID2.0.2 P1 LEVEL  
STAFF W/ CH/ SHOWER ROOM  
SCALE 1:20



**7 ELEVATION**  
ID2.0.2 P1 LEVEL  
STAFF W/ CH/ SHOWER ROOM  
SCALE 1:20



**8 ELEVATION**  
ID2.0.2 P1 LEVEL  
STAFF W/ CH/ SHOWER ROOM  
SCALE 1:20

NOTE:  
INSTALL ALL BARRIER FREE  
WASHROOM COMPONENTS  
ACCORDING TO CBC  
REQUIREMENTS

NO	DATE	COMMENTS	INI
03	06 MAR / 15	ISSUED FOR TILE TENDER	AP
02	26 JAN / 15	ISSUED FOR TENDER	AP
01	22 AUG / 14	ISSUED FOR PERMIT	AP

REVISIONS:

**UNION 31**  
UNION31 INC.  
183 BATHURST STREET, STE. 201  
TORONTO, ON, M5T 2R7, CANADA  
TEL: 416-597-1576 FAX: 416-597-2139

PROJECT NAME:  
**ALEXANDRA PARK  
MAIN BUILDING**  
BLOCK 11  
ON, Canada

PROJECT NO.: 13-949  
DRAWINGS:

**PARKING LEVEL  
ELEVATIONS**

DATE STARTED: 07 AUG / 13  
SCALE: 1:20  
DRAWN BY: AP  
APPROVED BY: KC

DRAWING NO.:  
**ID  
2.0.2**