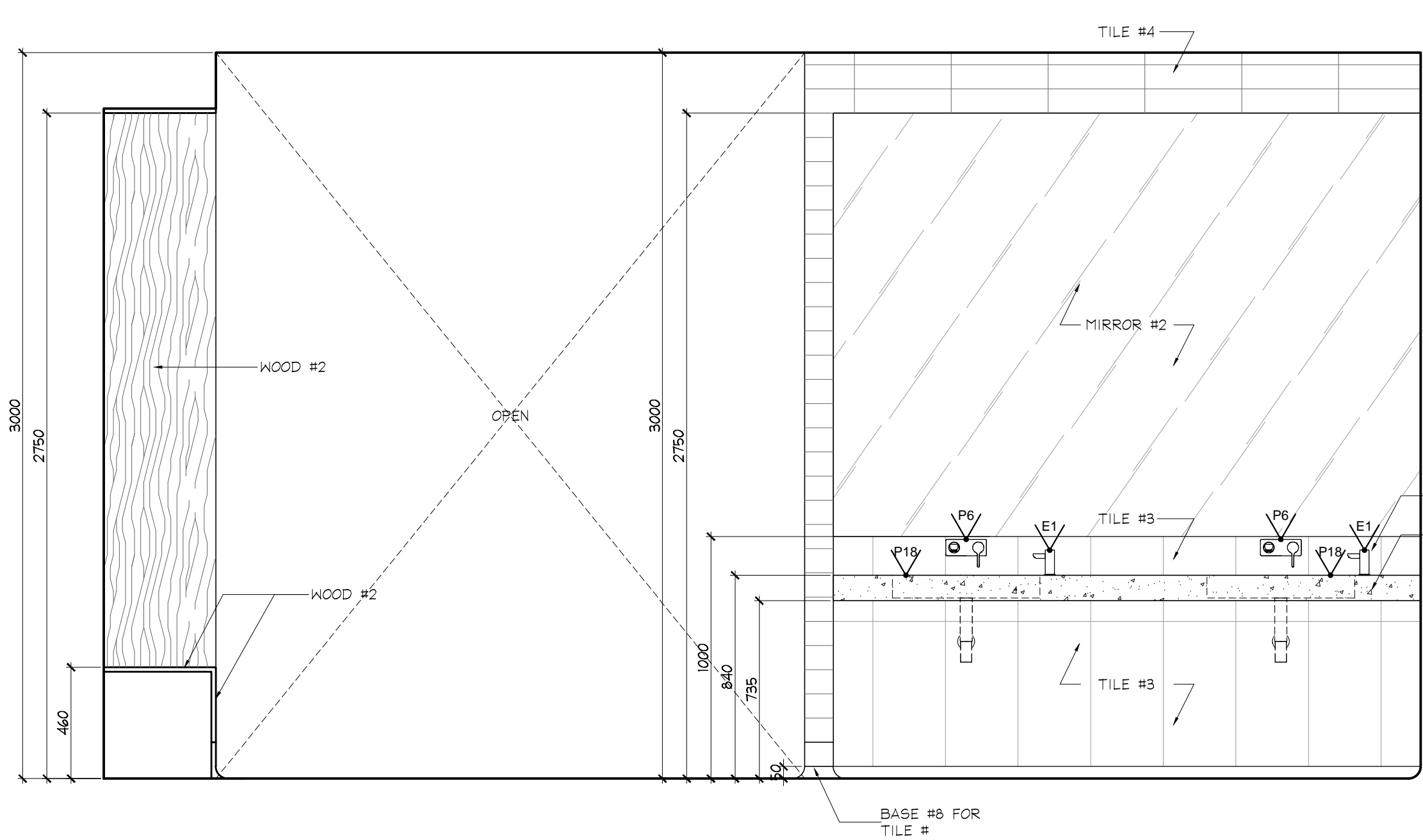


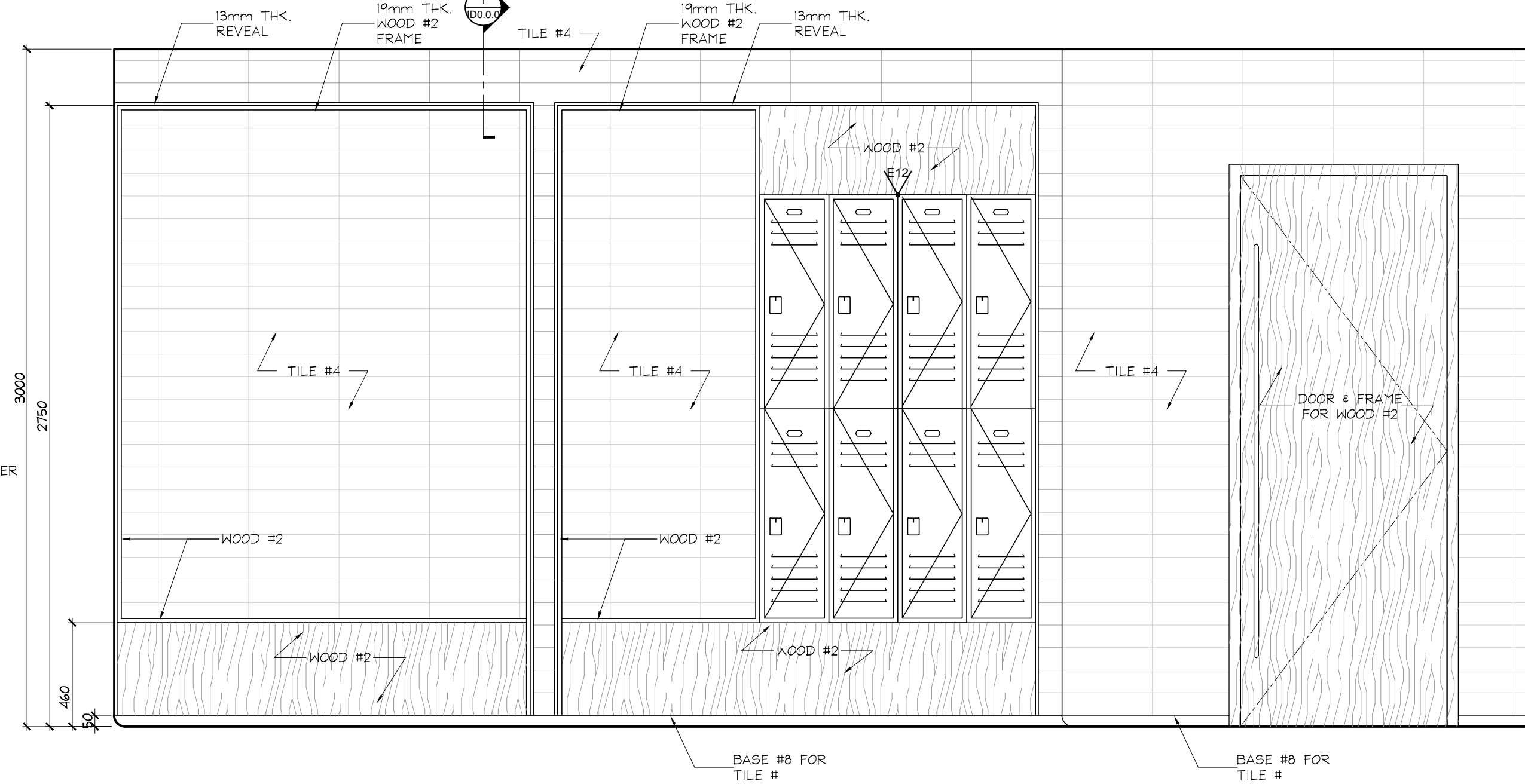
**DO NOT SCALE DRAWINGS.**

CONTRACTOR MUST VERIFY ALL DRAWINGS, DIMENSIONS, DETAILS AND SPECIFICATIONS, AND REPORT ANY DISCREPANCIES TO UNION 31 INC. BEFORE PROCEEDING WITH WORK. MATERIALS MAY NOT BE SUBSTITUTED WITHOUT WRITTEN APPROVAL FROM UNION 31 INC.  
ALL DRAWINGS AND SPECIFICATIONS ARE INSTRUMENTS OF SERVICE AND THE PROPERTY OF UNION 31 INC. WHICH MUST BE RETURNED AT THE COMPLETION OF THE WORK.

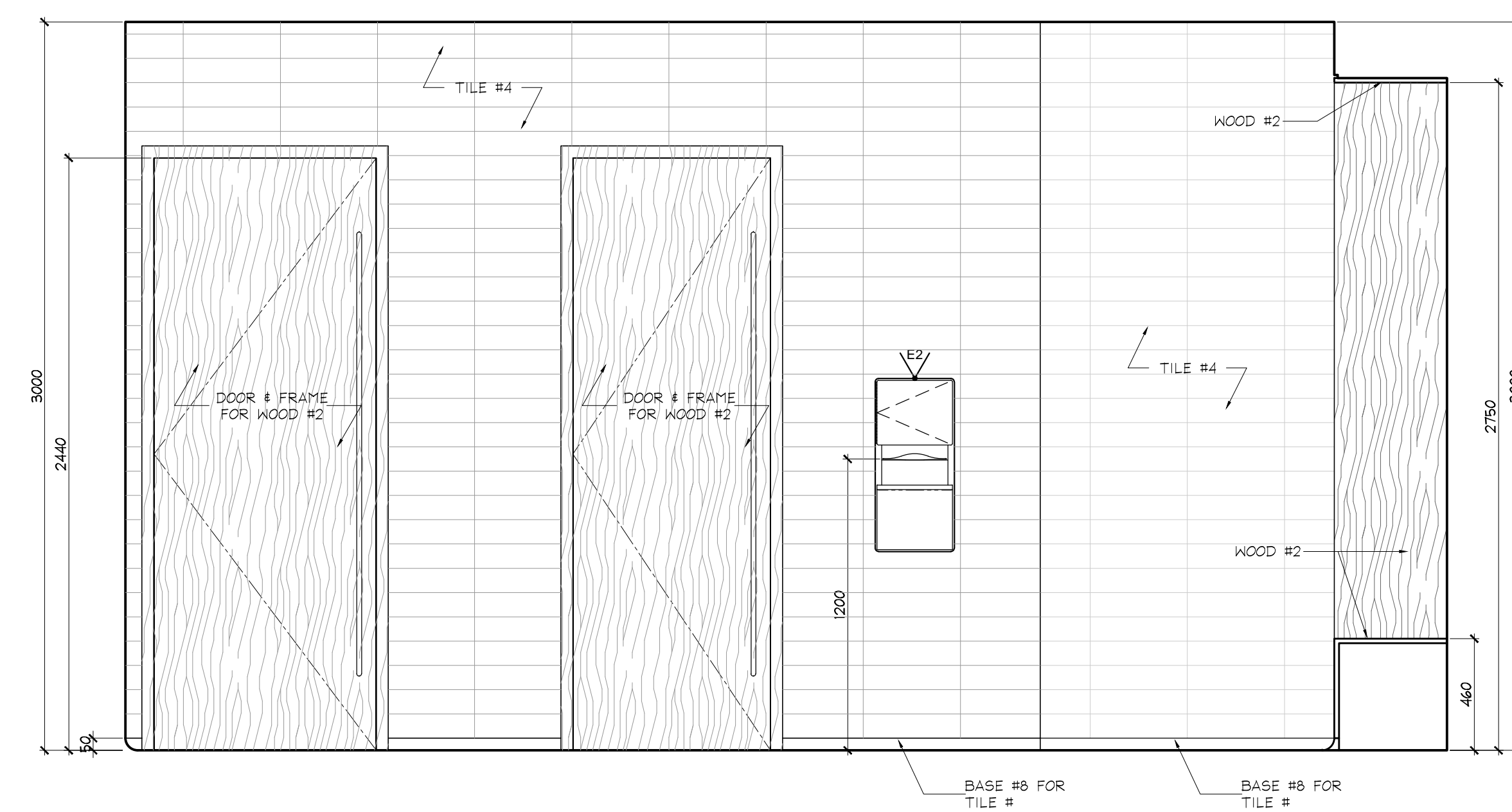
PRINTED: 28-May-15



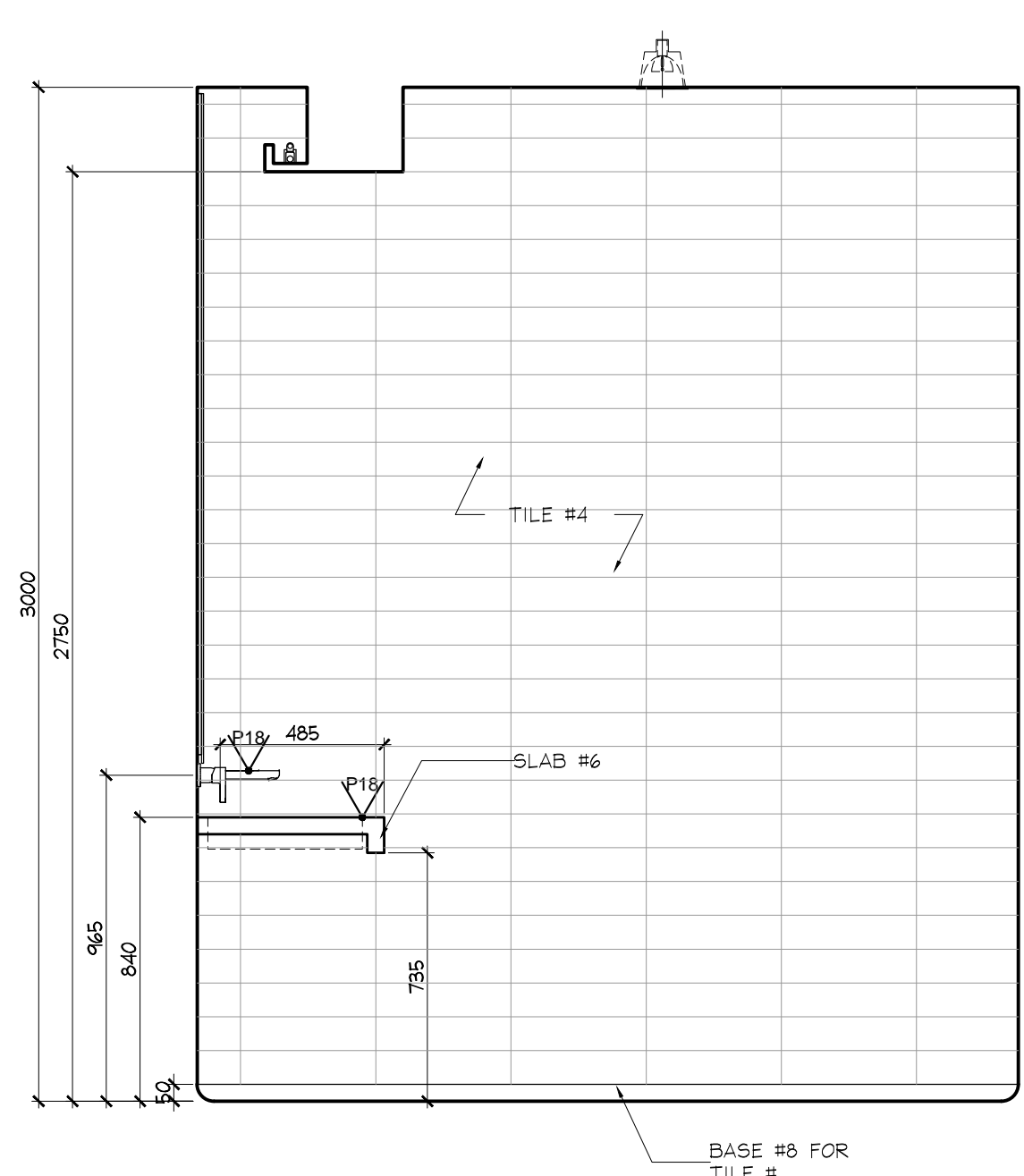
1 ELEVATION  
GROUND FLOOR  
WOMEN'S WASHROOM  
SCALE 1:20



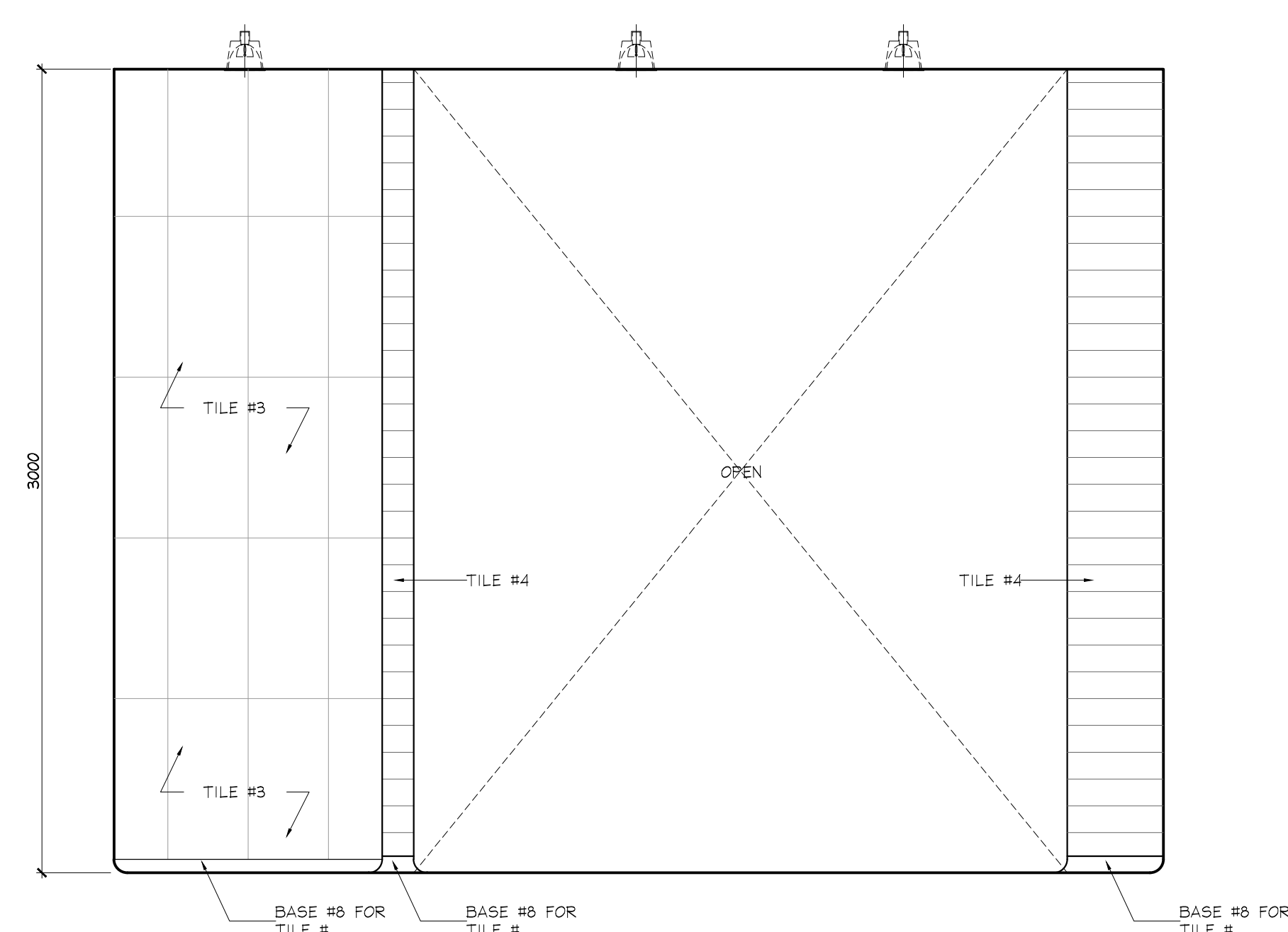
2 ELEVATION  
GROUND FLOOR  
WOMEN'S WASHROOM  
SCALE 1:20



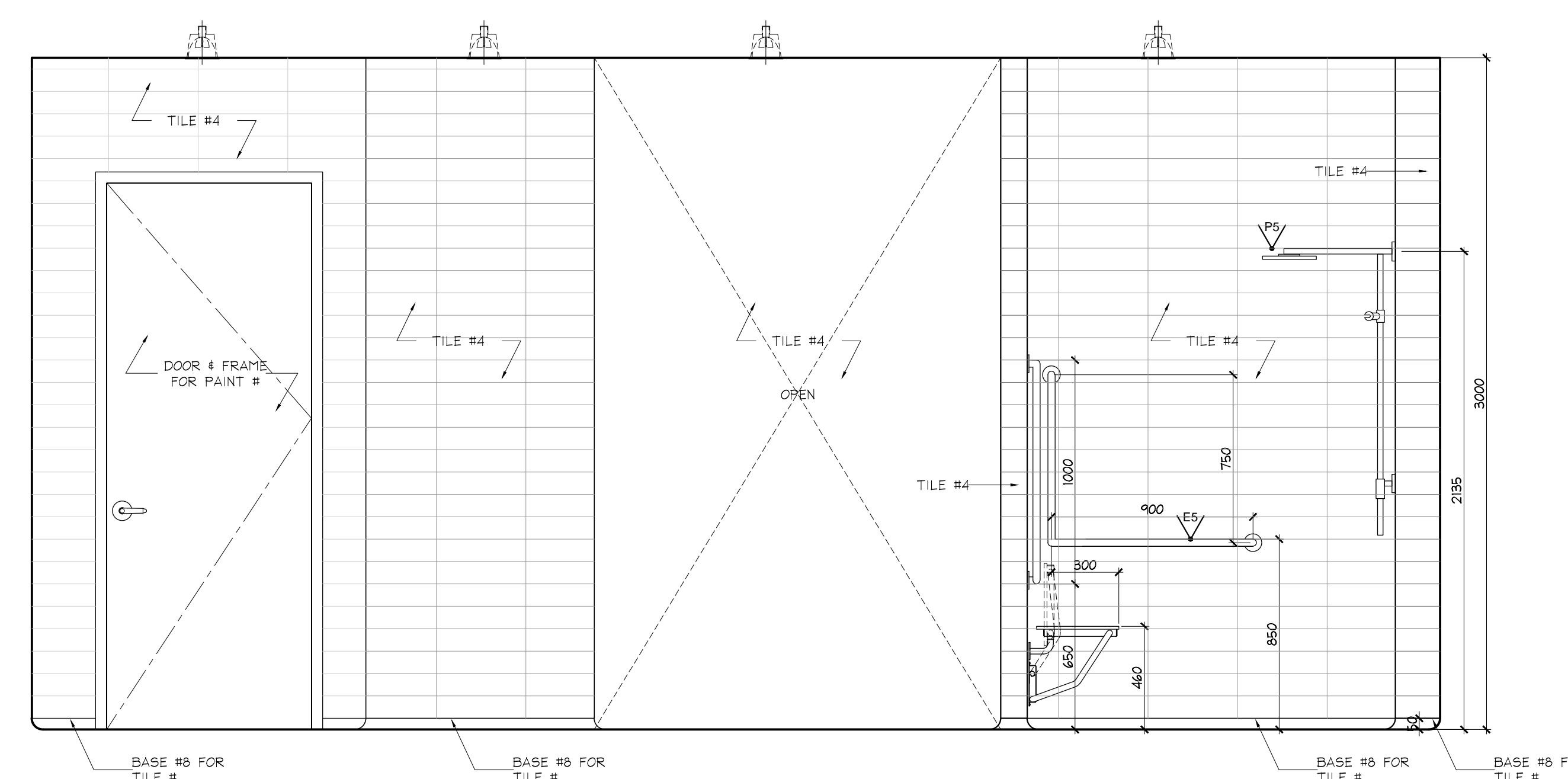
3 ELEVATION  
GROUND FLOOR  
WOMEN'S WASHROOM  
SCALE 1:20



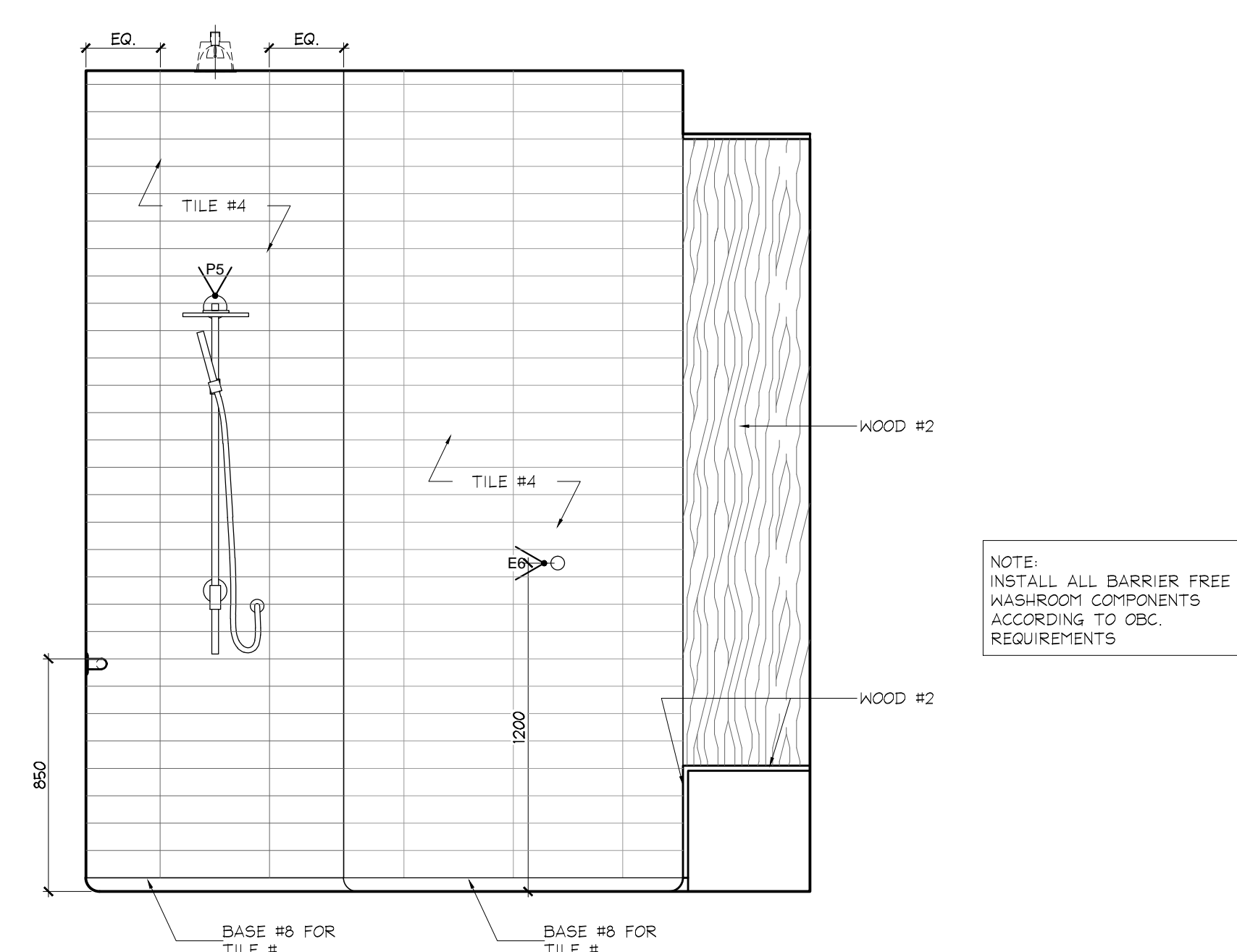
4 ELEVATION  
GROUND FLOOR  
WOMEN'S WASHROOM  
SCALE 1:20



5 ELEVATION  
GROUND FLOOR  
WOMEN'S WASHROOM  
SCALE 1:20

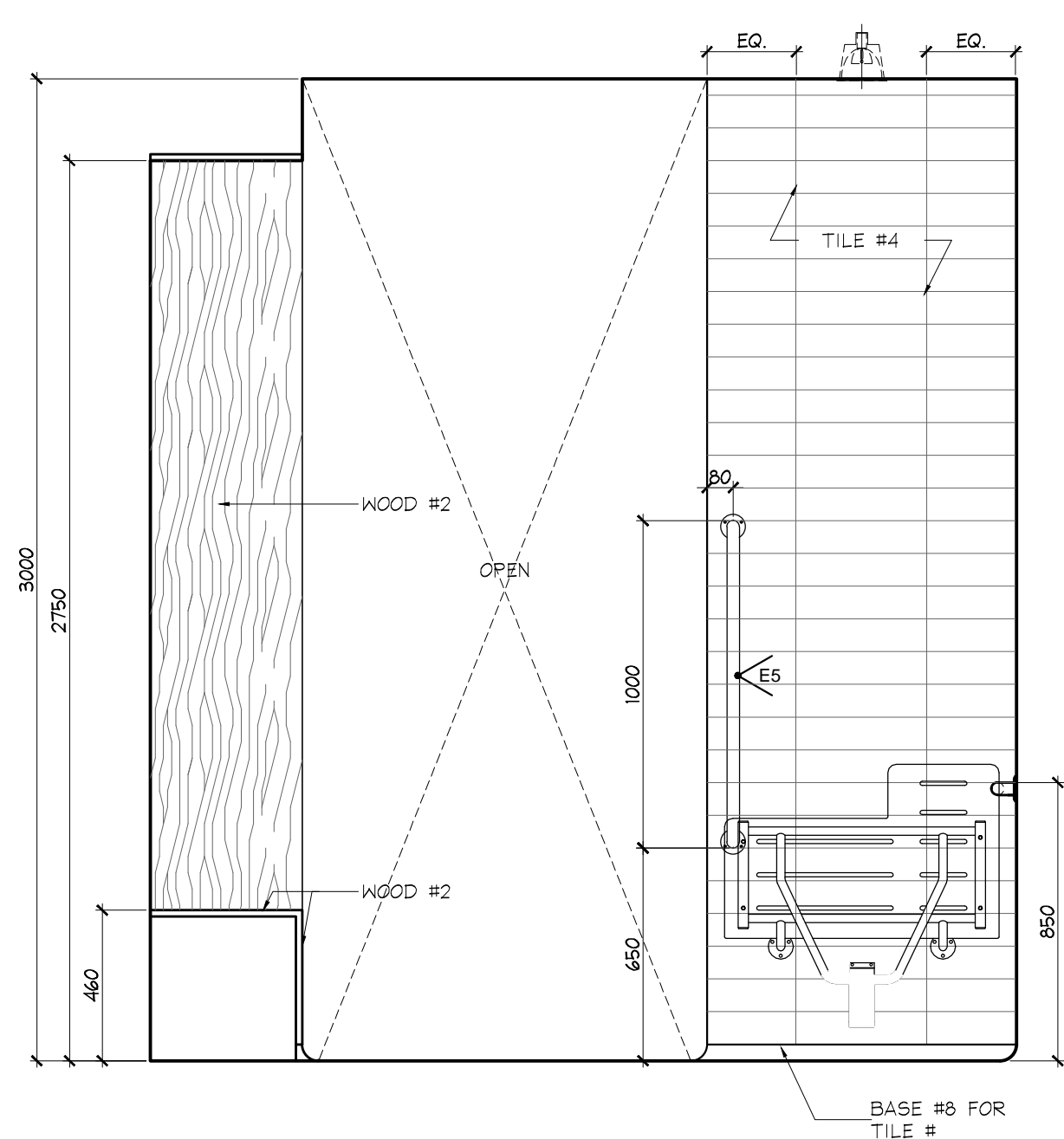


6 ELEVATION  
GROUND FLOOR  
WOMEN'S WASHROOM  
SCALE 1:20

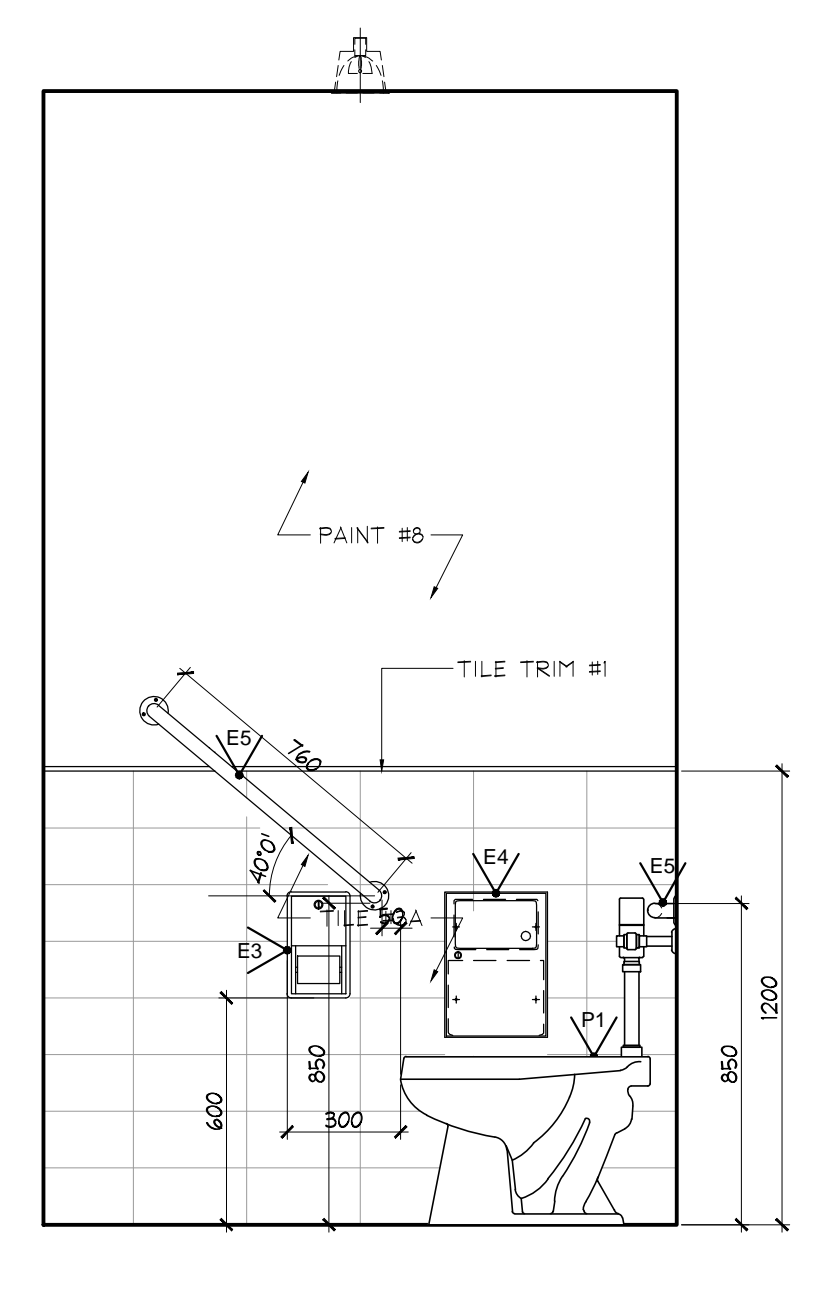


7 ELEVATION  
GROUND FLOOR  
WOMEN'S WASHROOM  
SCALE 1:20

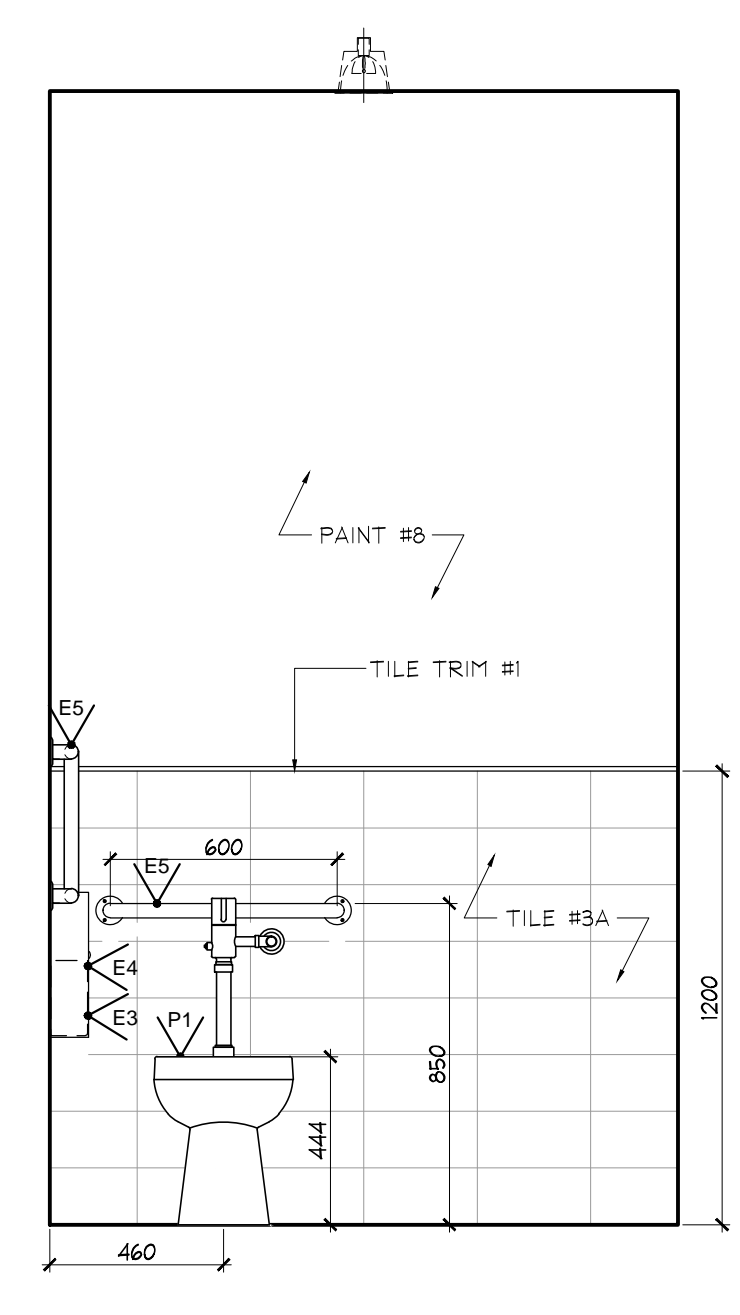
NOTE: INSTALL ALL BARBER FREE WASHROOM COMPONENTS ACCORDING TO CBC REQUIREMENTS.



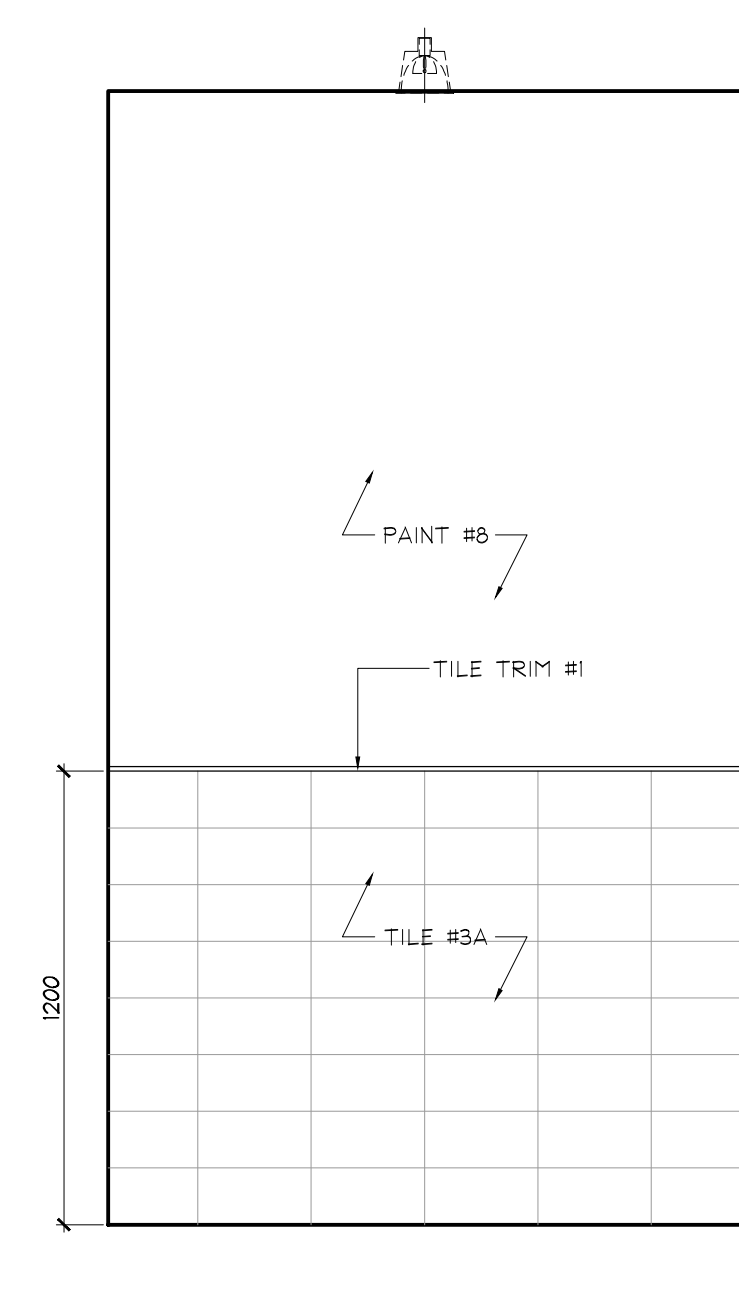
8 ELEVATION  
GROUND FLOOR  
WOMEN'S WASHROOM  
SCALE 1:20



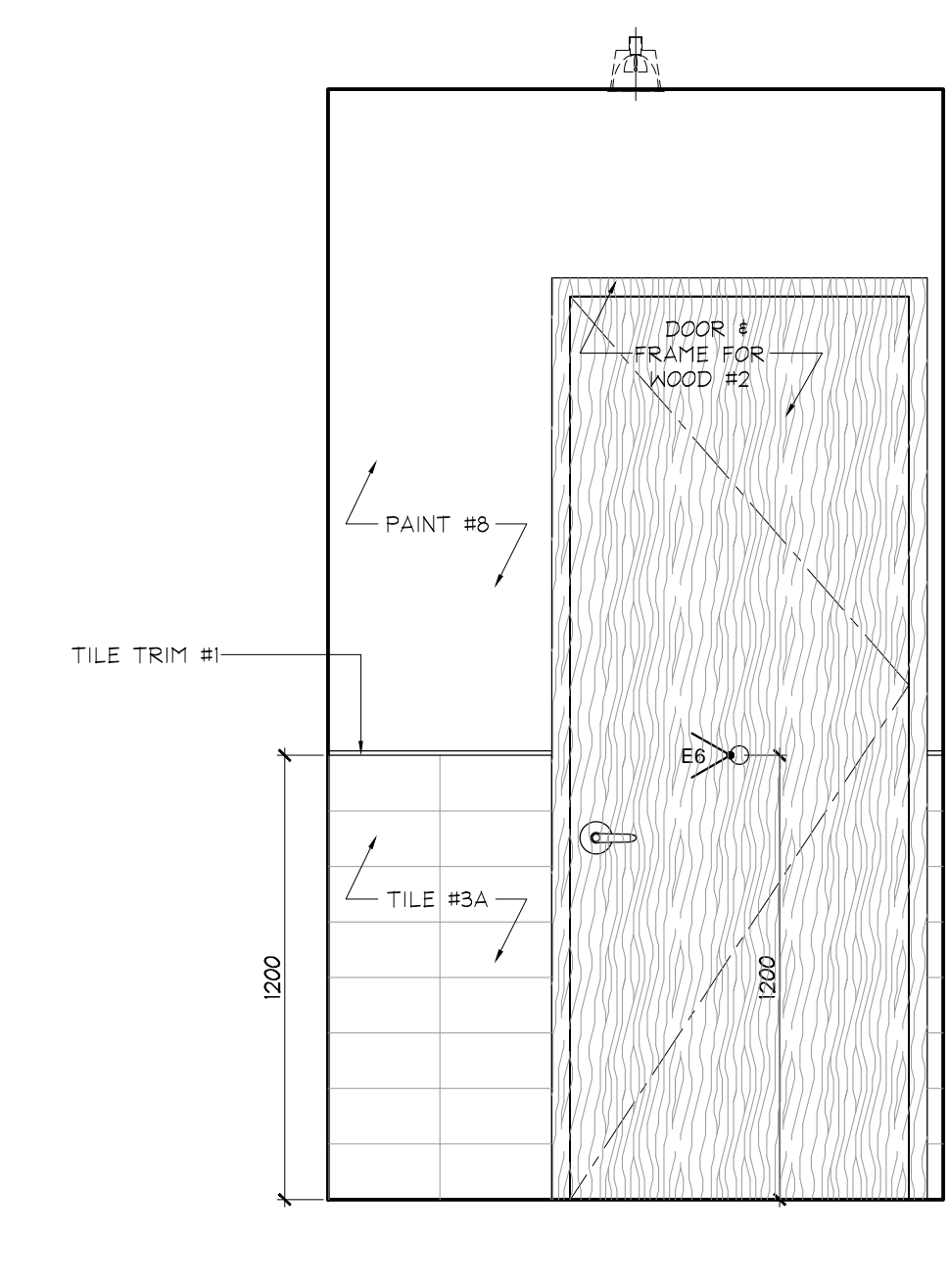
9 ELEVATION  
GROUND FLOOR  
WOMEN'S / MEN'S WASHROOM  
SCALE 1:20



10 ELEVATION  
GROUND FLOOR  
WOMEN'S / MEN'S WASHROOM  
SCALE 1:20



11 ELEVATION  
GROUND FLOOR  
WOMEN'S / MEN'S WASHROOM  
SCALE 1:20



12 ELEVATION  
GROUND FLOOR  
WOMEN'S WASHROOM  
SCALE 1:20

NO	DATE	COMMENTS	INI
03	06 MAR / 15	ISSUED FOR TILE TENDER	AP
02	26 JAN / 15	ISSUED FOR TENDER	AP
01	22 AUG / 14	ISSUED FOR PERMIT	AP

UNION 31

UNION31 INC.  
183 BATHURST STREET, STE. 201  
TORONTO, ON, M5T 2R7, CANADA  
TEL: 416-597-1576 FAX: 416-597-2139

PROJECT NAME:  
**ALEXANDRA PARK  
MAIN BUILDING**  
BLOCK 11  
ON, Canada

PROJECT NO.:  
13-949

DRAWINGS:  
**GROUND FLOOR  
ELEVATIONS**

DATE STARTED: 07 AUG / 13  
SCALE: 1 : 20  
DRAWN BY: AP  
APPROVED BY: KC

DRAWING NO.:  
**ID  
2.1.8**