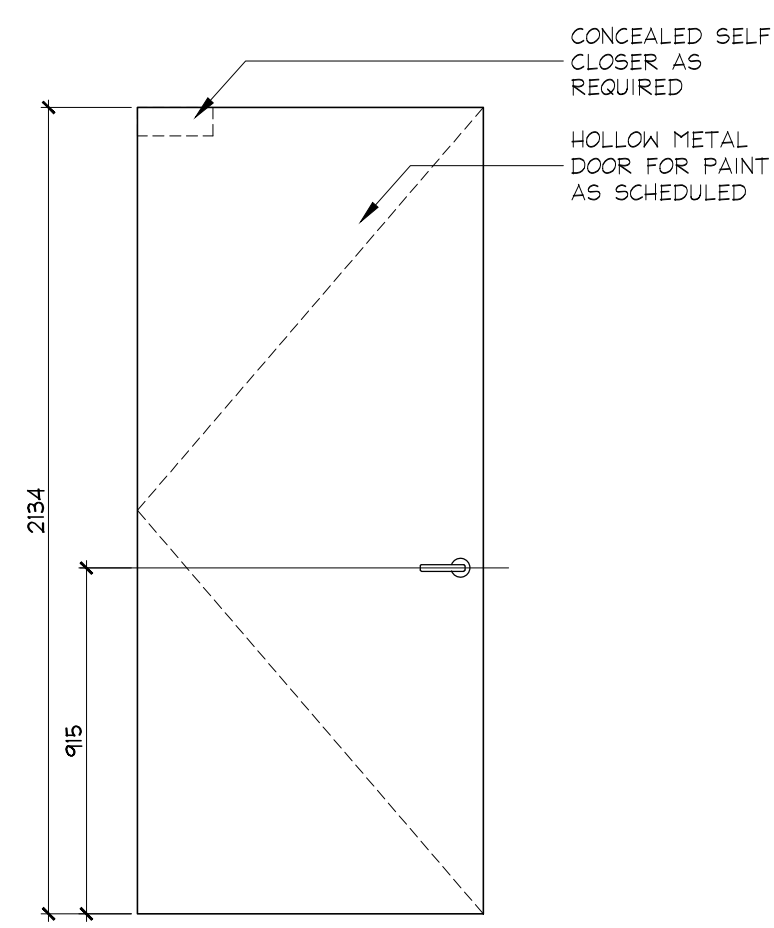


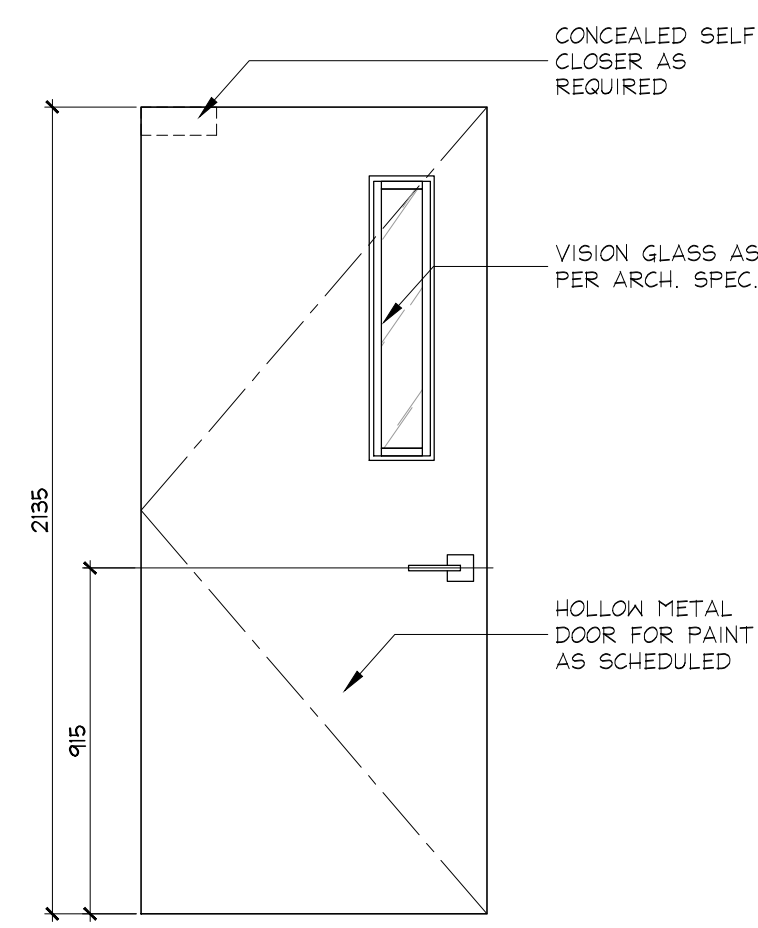
**DO NOT SCALE DRAWINGS.**

CONTRACTOR MUST VERIFY ALL DRAWINGS, DIMENSIONS, DETAILS AND SPECIFICATIONS, AND REPORT ANY DISCREPANCIES TO UNION 31 INC. BEFORE PROCEEDING WITH WORK. MATERIALS MAY NOT BE SUBSTITUTED WITHOUT WRITTEN APPROVAL FROM UNION 31 INC.  
ALL DRAWINGS AND SPECIFICATIONS ARE INSTRUMENTS OF SERVICE AND THE PROPERTY OF UNION 31 INC. WHICH MUST BE RETURNED AT THE COMPLETION OF THE WORK.

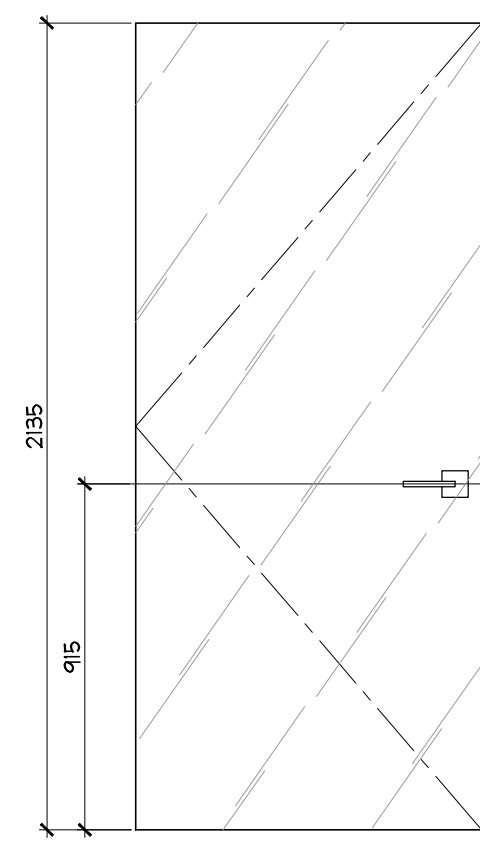
PRINTED: 28-May-15



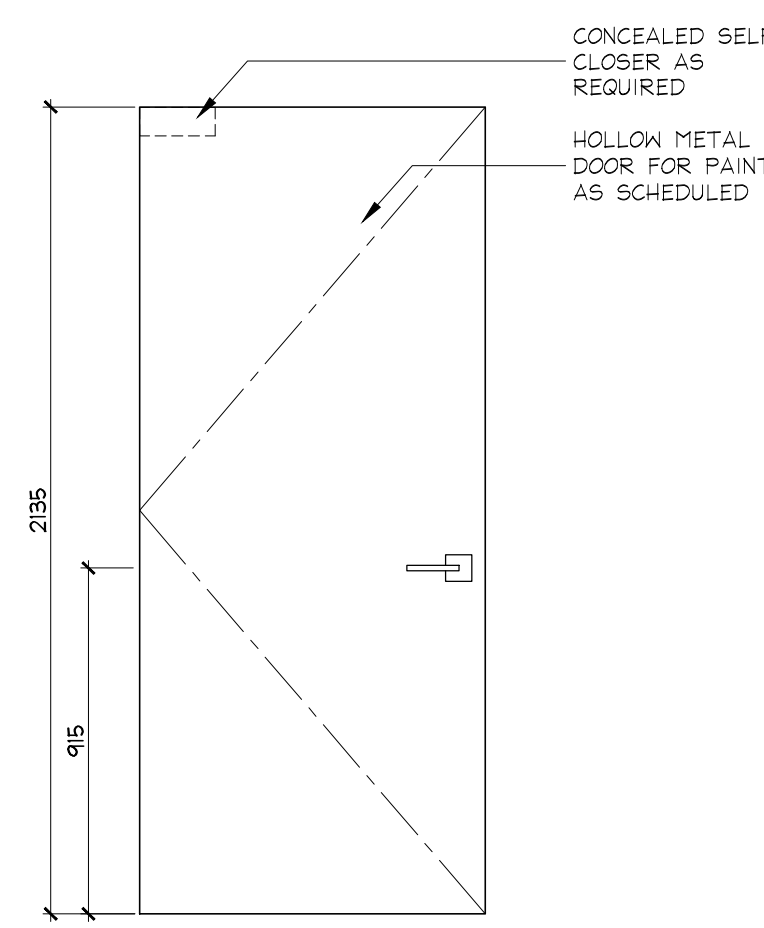
TYPICAL TYPE "TYP.1" LOCKER DOORS



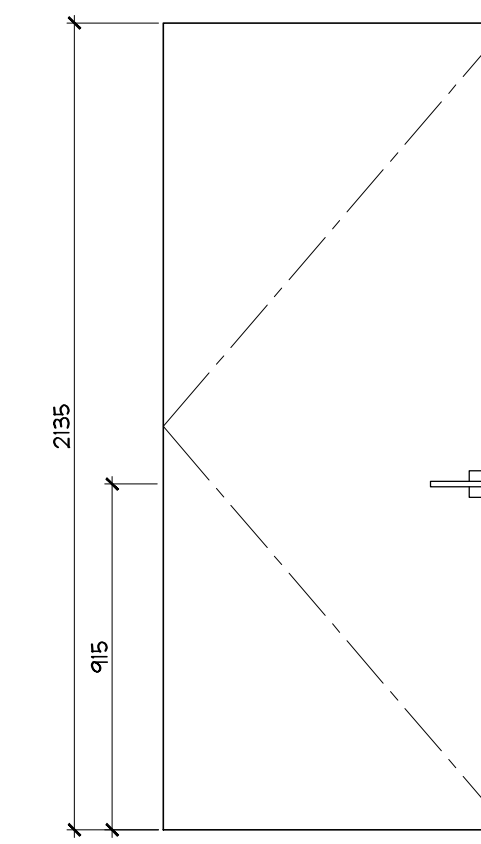
TYP. EXIT STAIR DOORS "TYP.2"



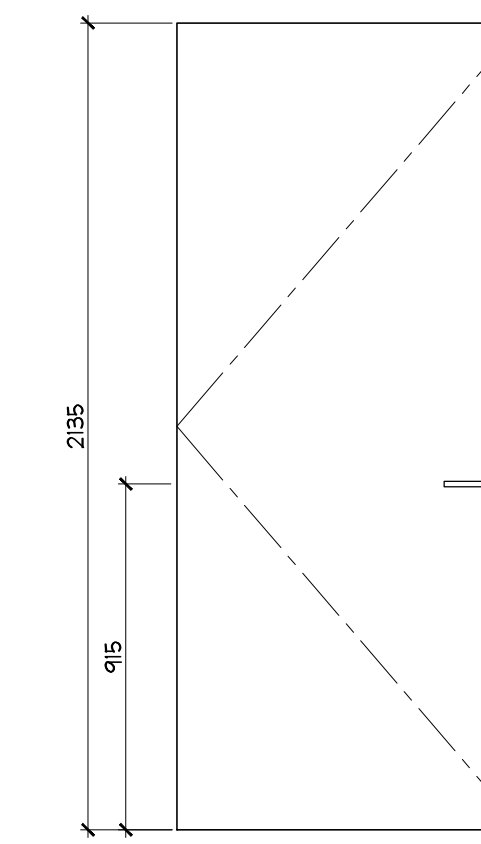
PARKING LEVEL 2 DOORS P201.1, P201.X, P201.3



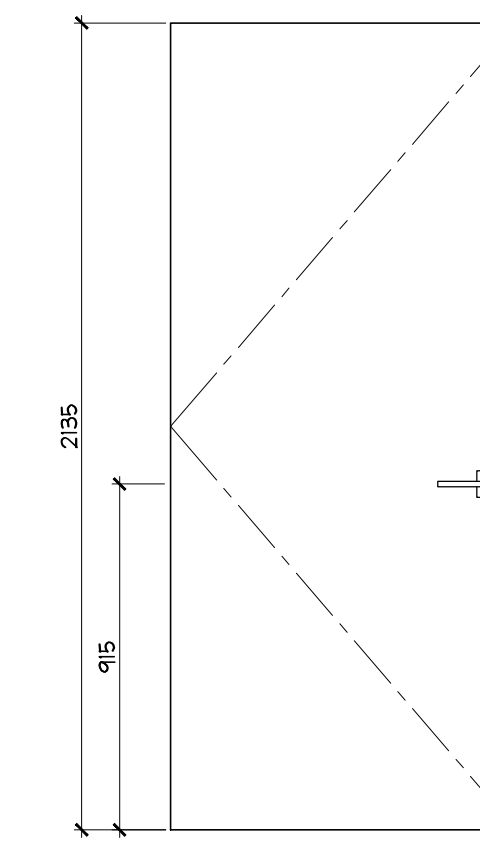
PARKING LEVEL 2 DOOR P201.2



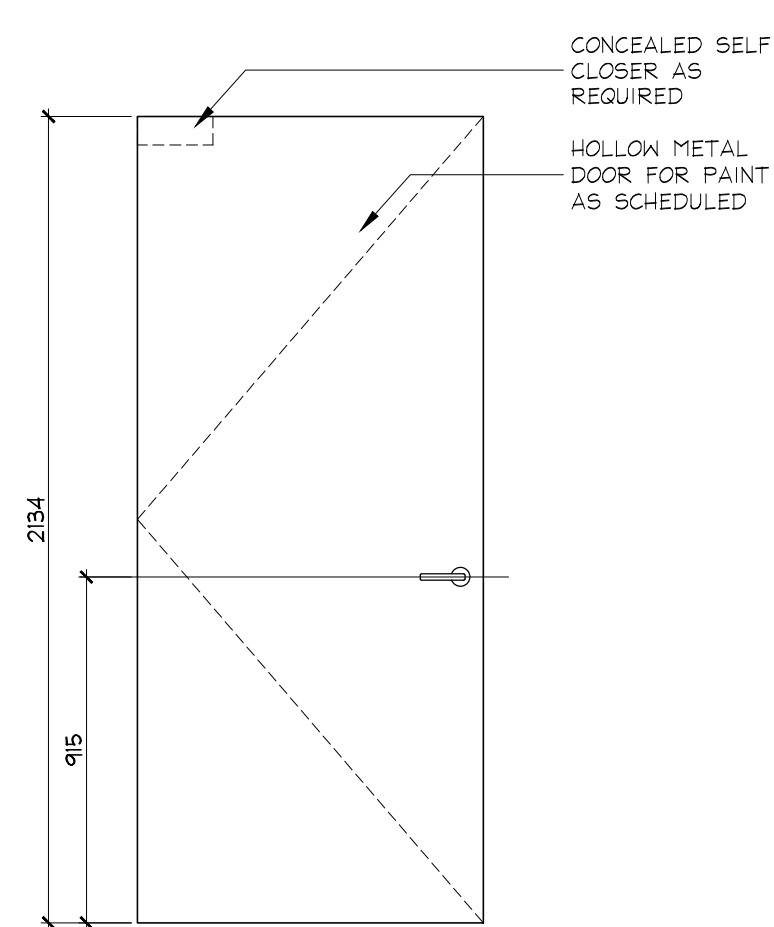
PARKING LEVEL 1 DOORS P110.1, P101



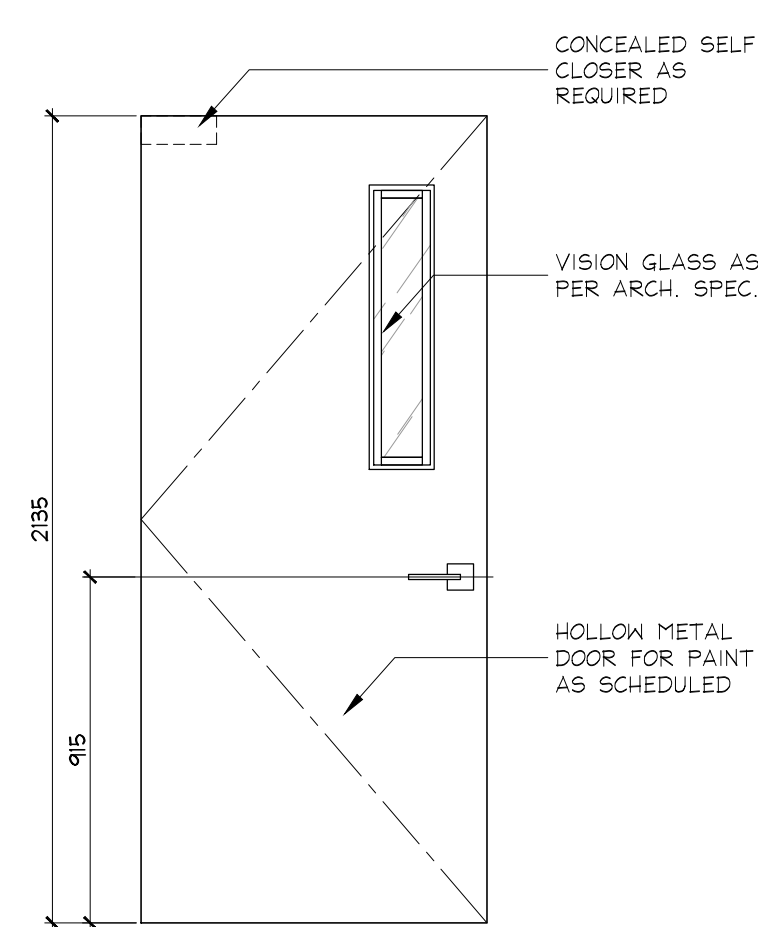
PARKING LEVEL 1 DOORS P110.1, P130



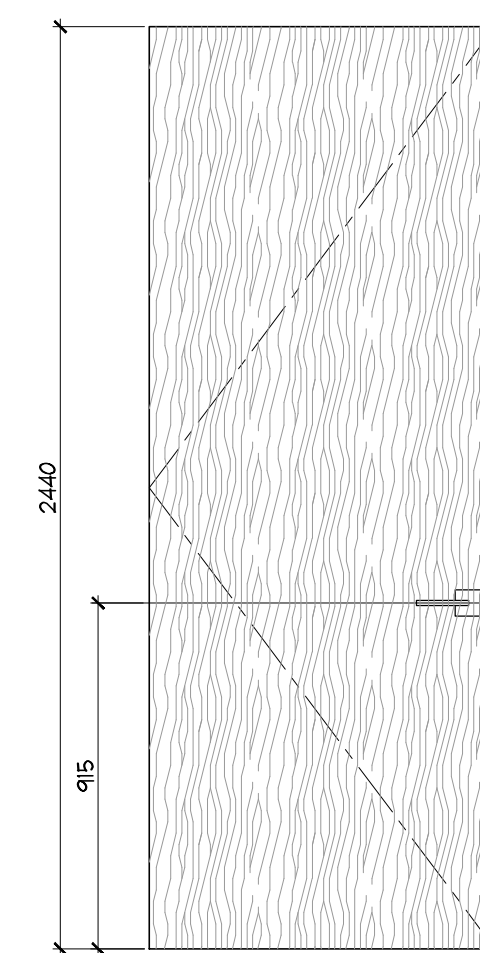
PARKING LEVEL 1 DOOR P117



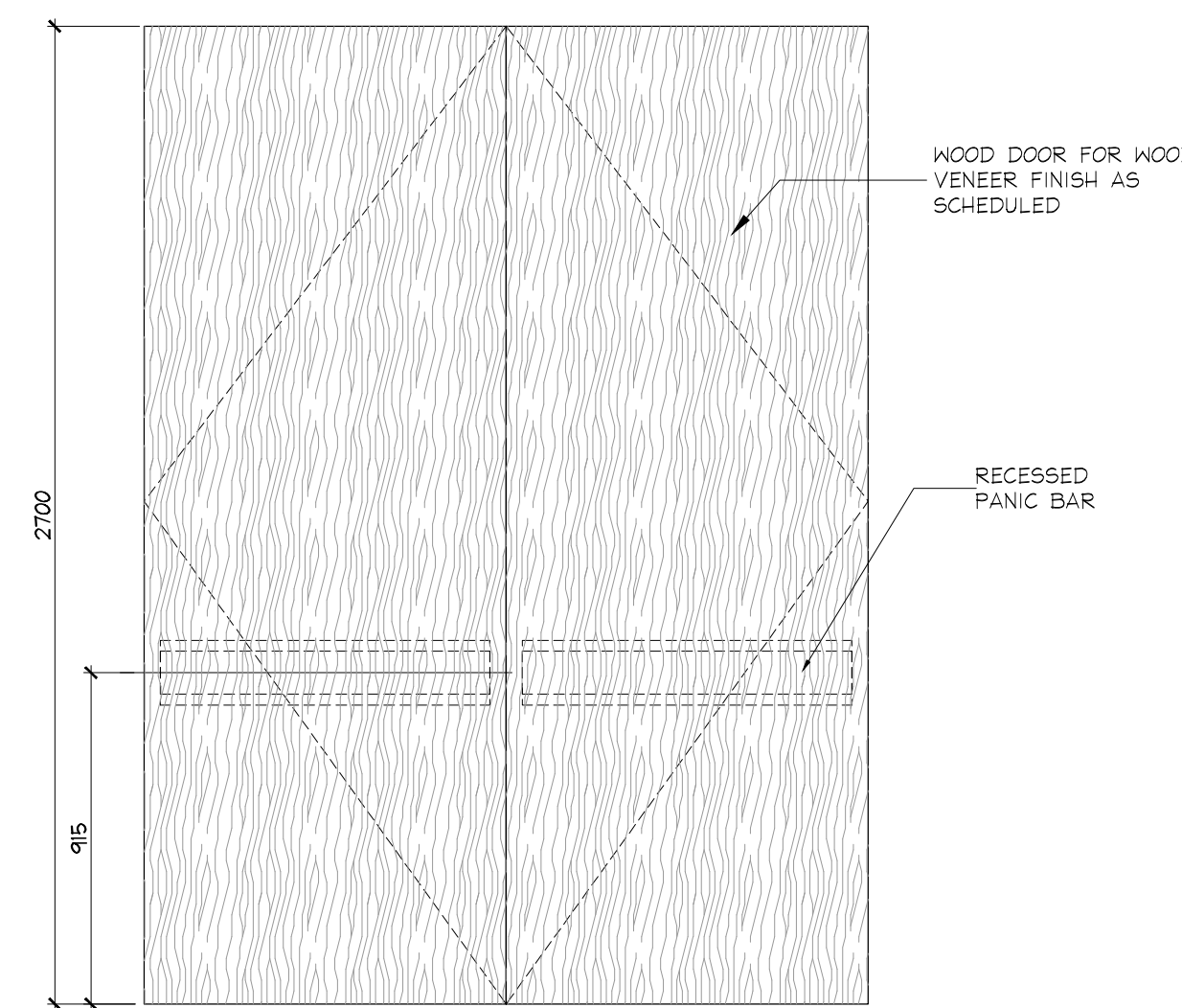
GROUND FLOOR DOOR 1-SA.3



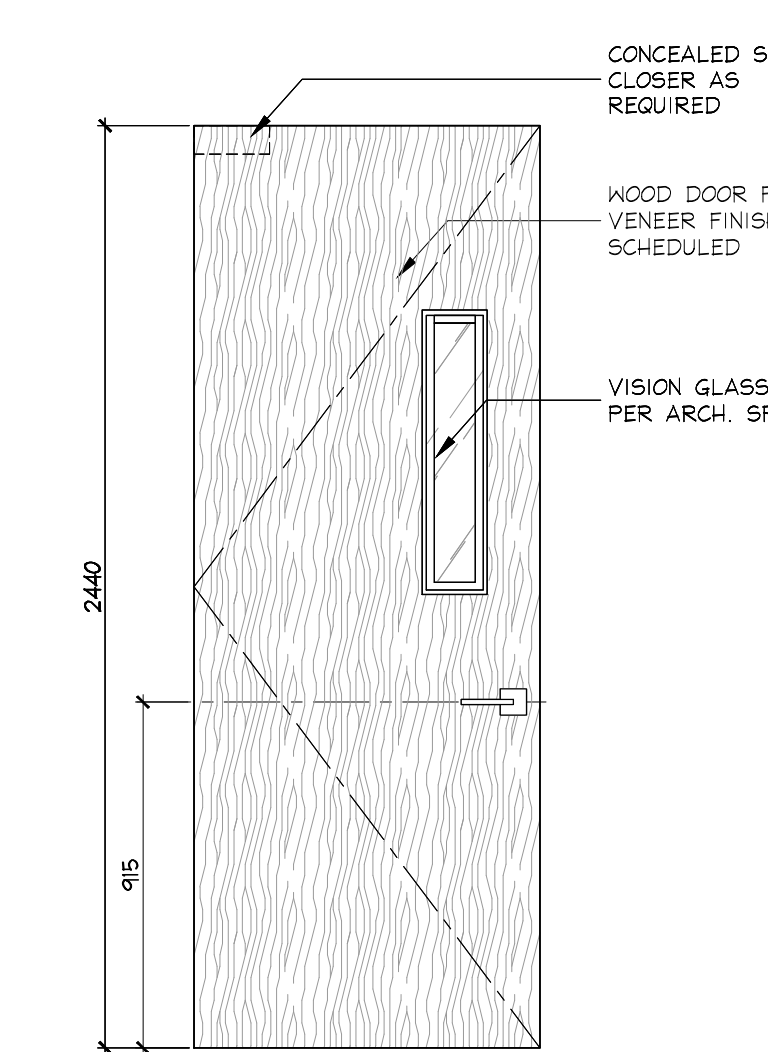
GROUND FLOOR DOORS 131.1, 133, 144, 145.2



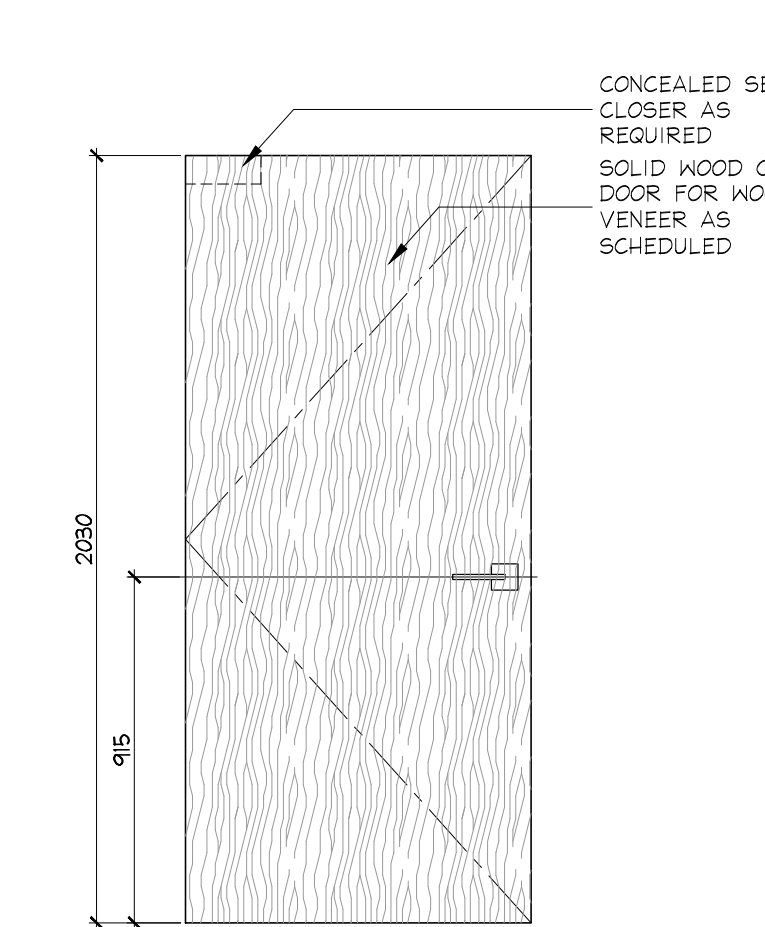
GROUND FLOOR DOOR 138 MAIL SORTING



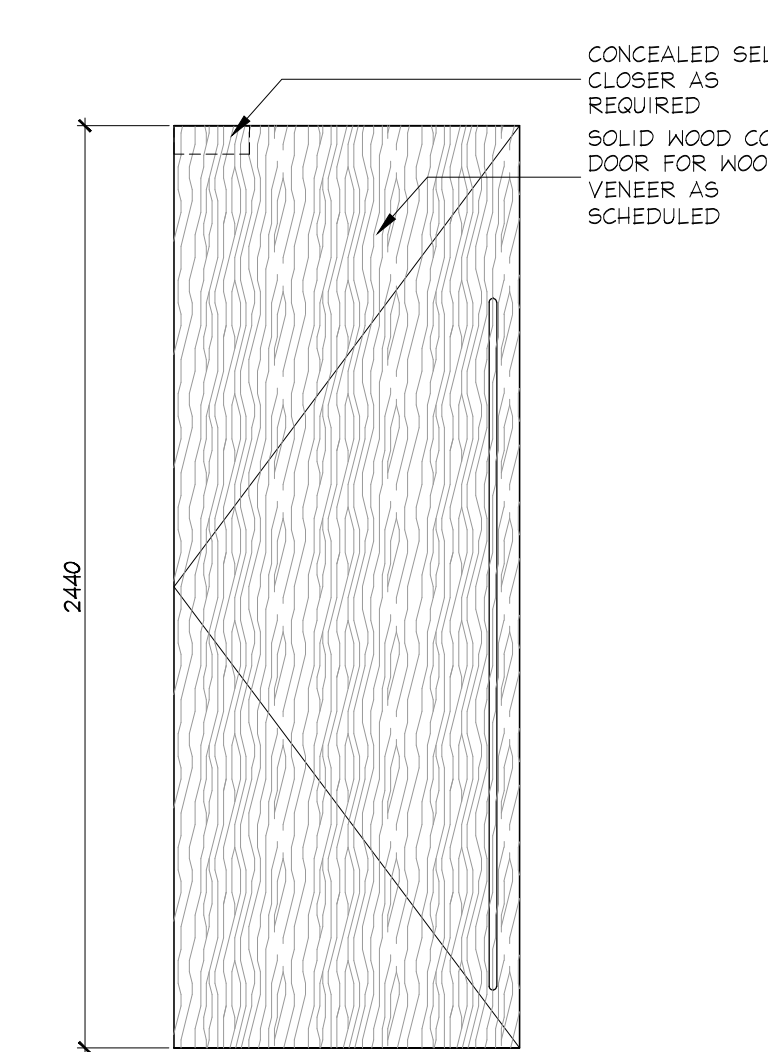
GROUND FLOOR DOOR 140.1 ELEVATOR LOBBY



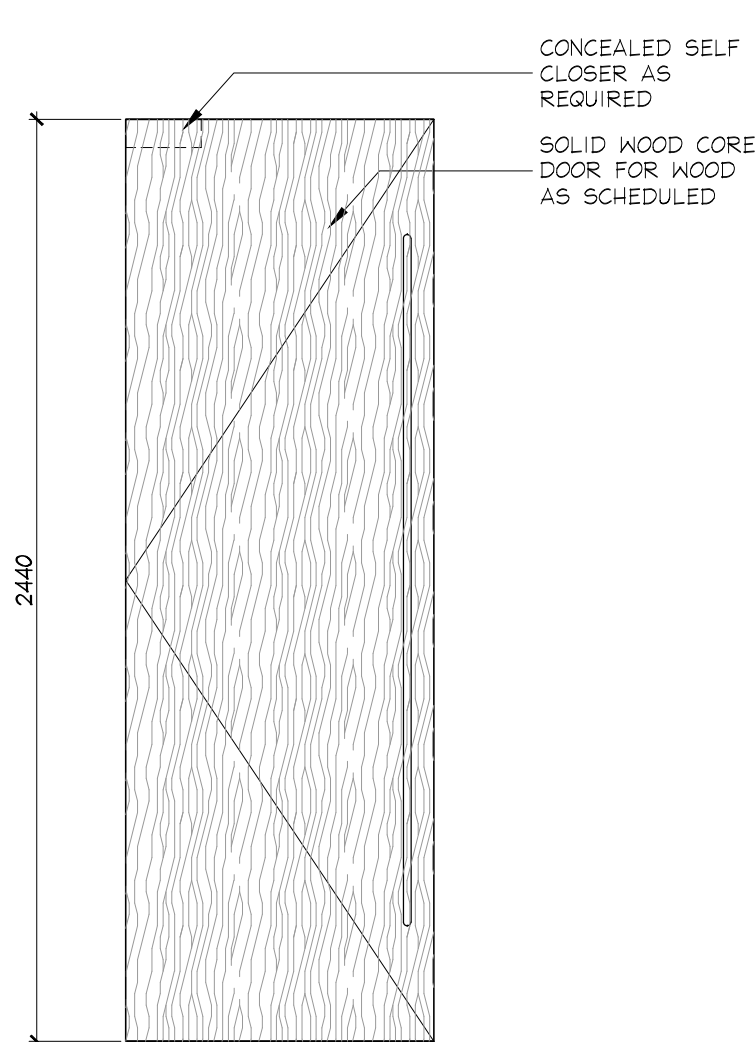
GROUND FLOOR DOOR 140.2 CORRIDOR B TO LOBBY



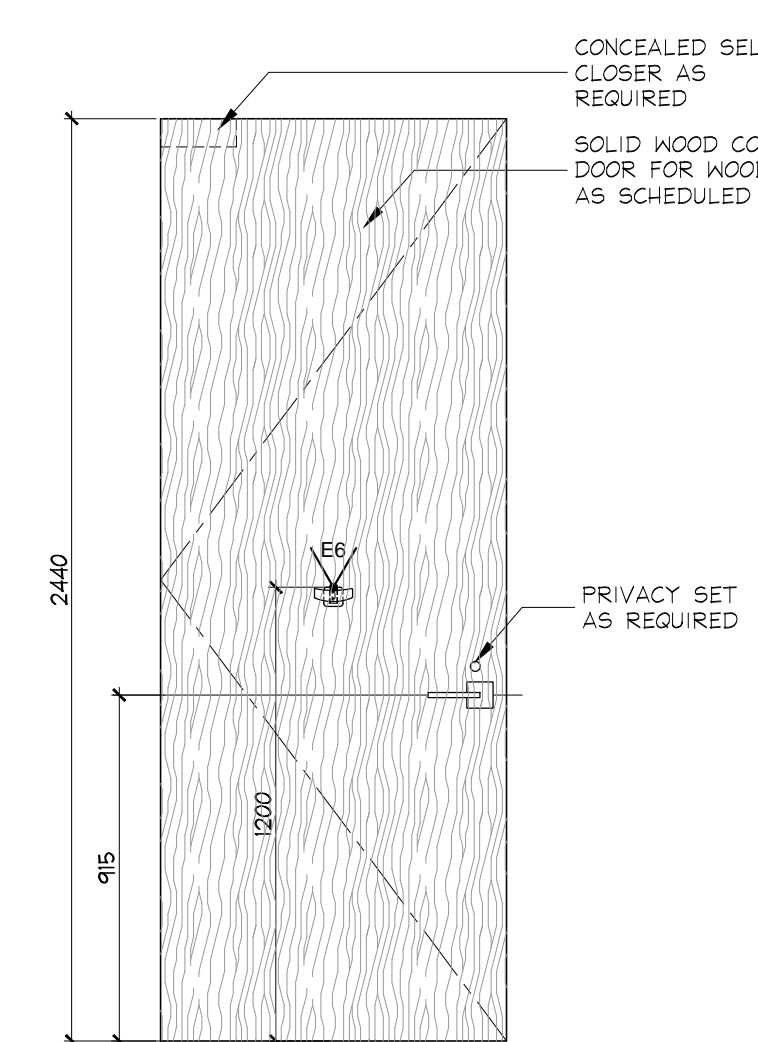
GROUND FLOOR DOORS 143B, 143C, 161A, 163A VFCU ACCESS PANEL



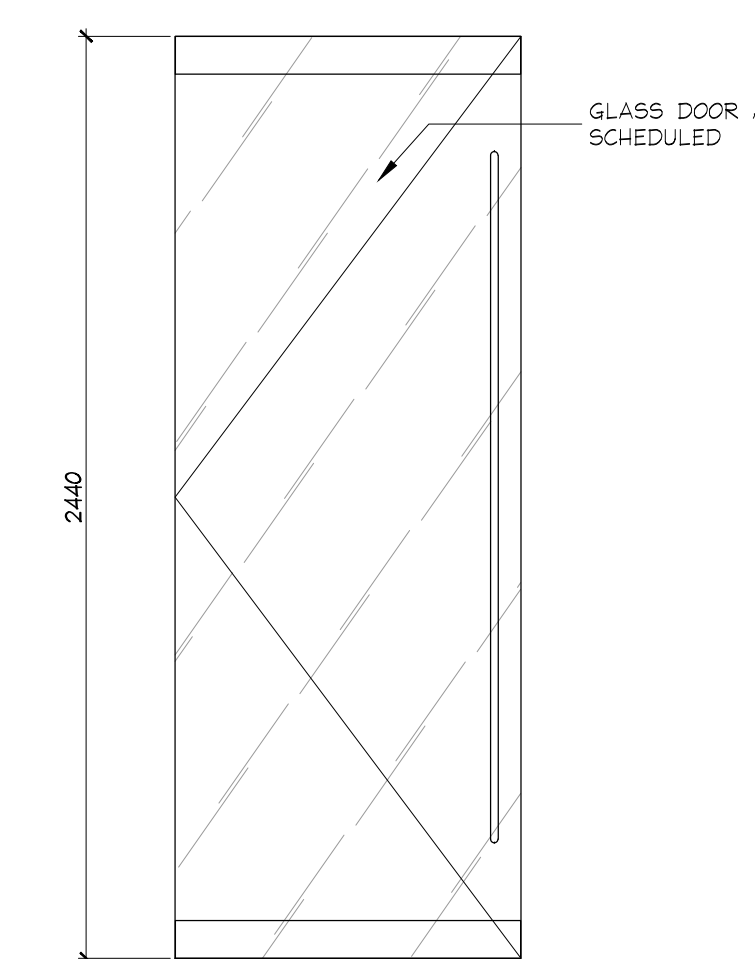
GROUND FLOOR DOORS 146A/B, 151A/B, 147, 148, 153 MEN'S / WOMEN'S CHANGEROOM VESTIBULE AMENITY KITCHENETTE



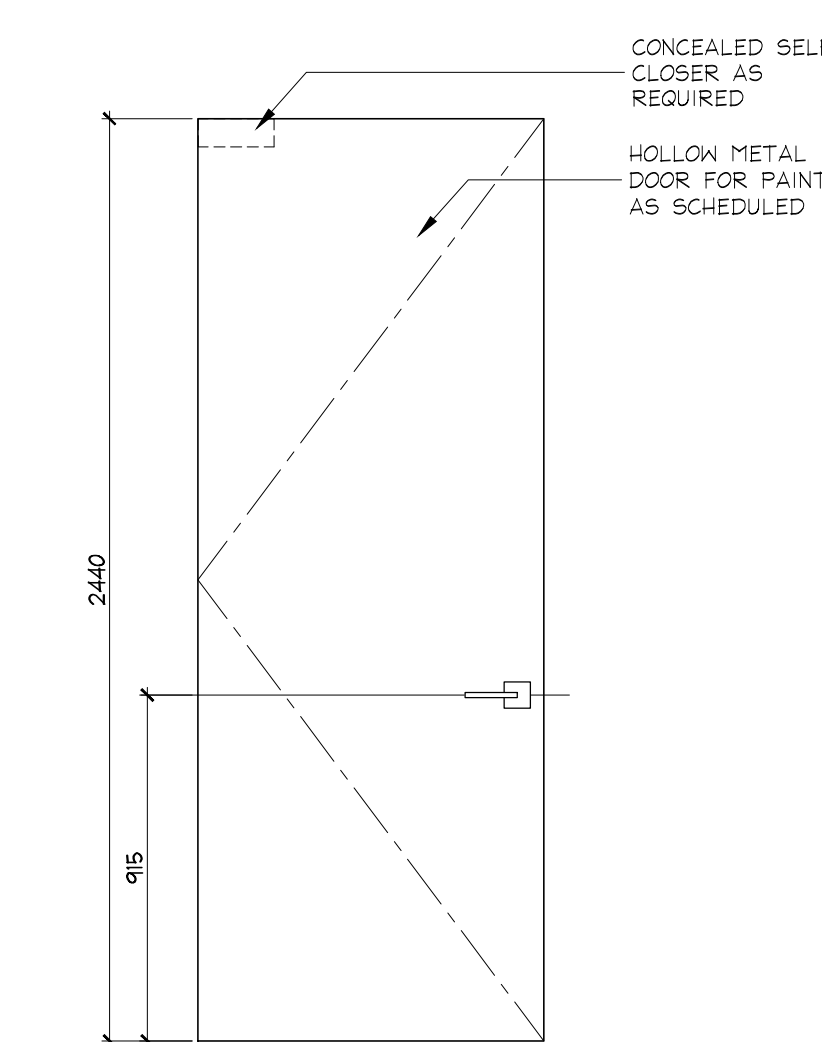
GROUND FLOOR DOORS 152, 162 MEN'S / WOMEN'S WC



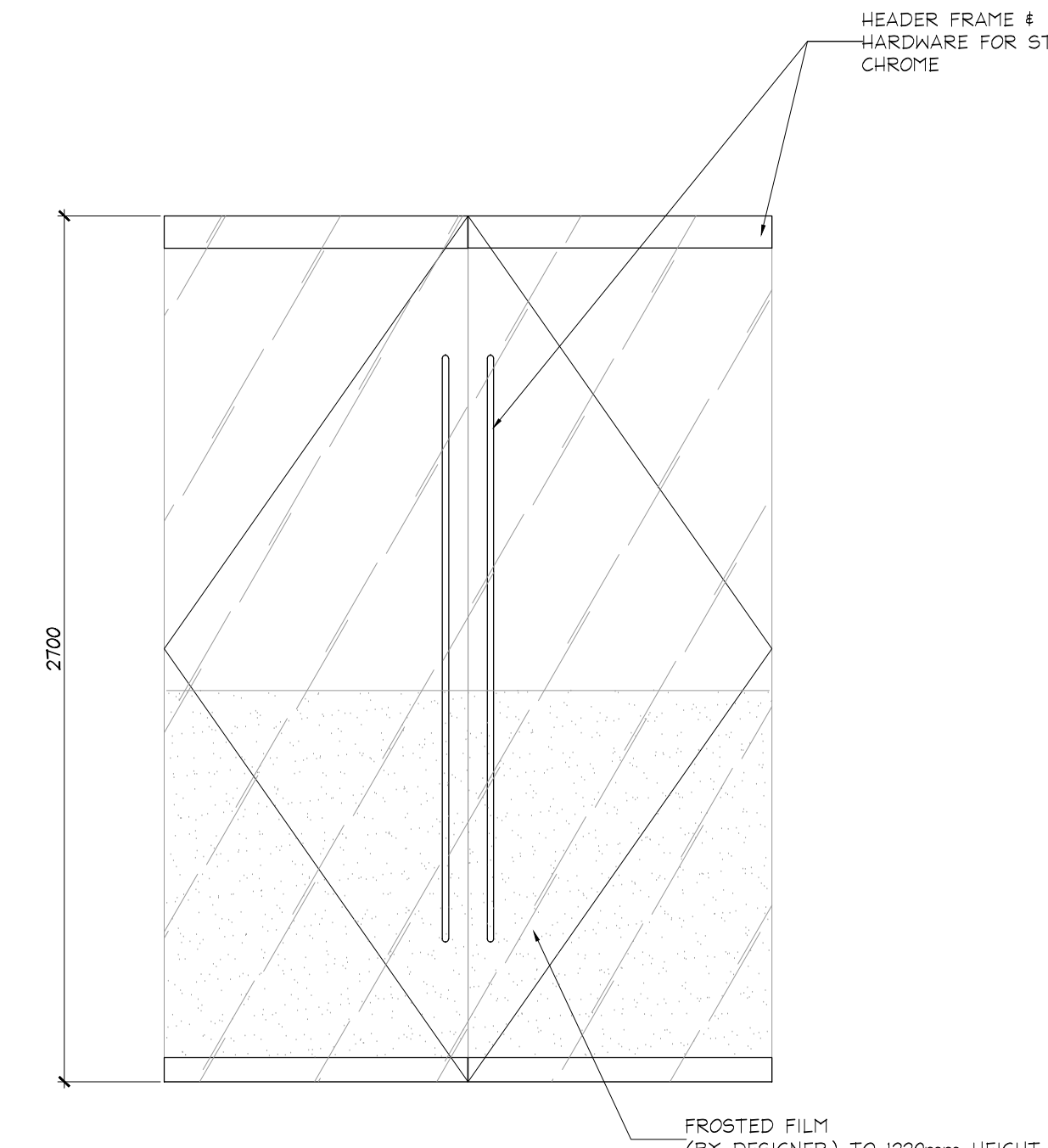
GROUND FLOOR DOORS 148, 153 (INTERIOR) MEN'S / WOMEN'S WC BF



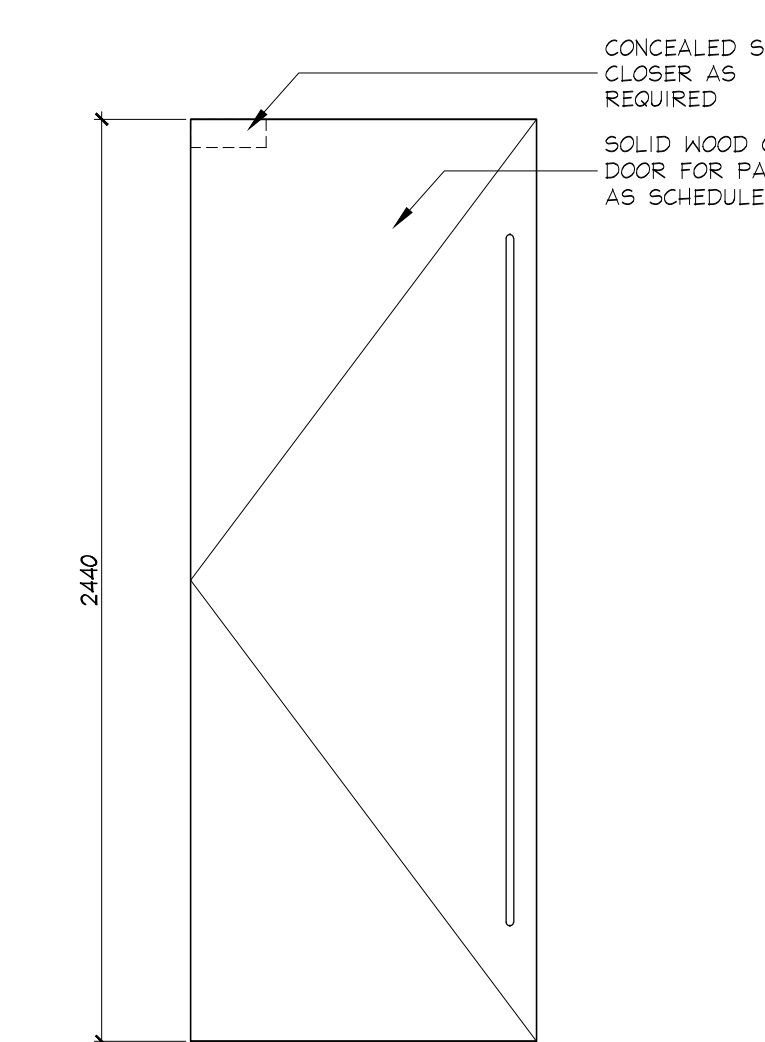
GROUND FLOOR DOORS 149.1, 149.2 MEN'S / WOMEN'S CHANGEROOM TO WHIRLPOOL SPA



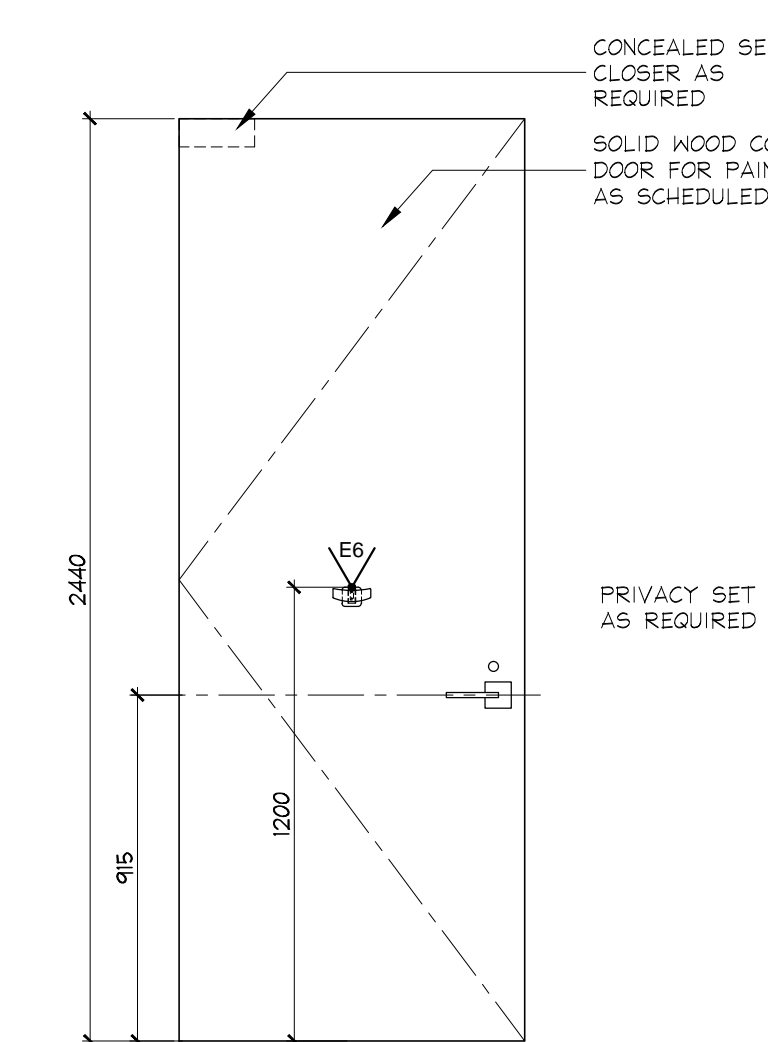
GROUND FLOOR DOOR 150 JANITOR CLOSET IN WOMEN'S CHANGEROOM



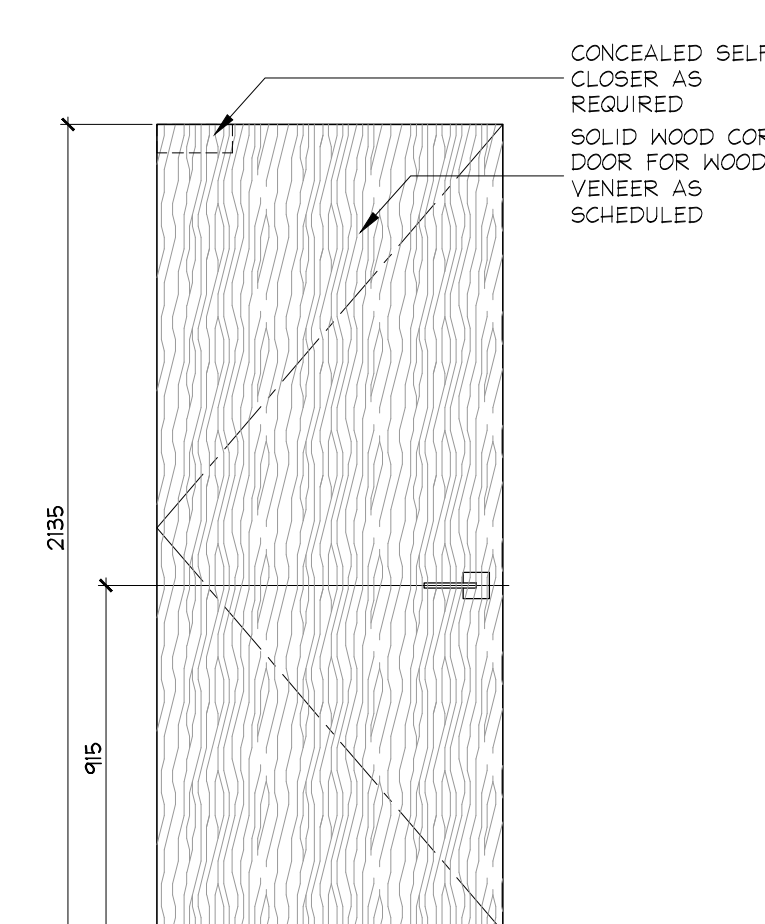
GROUND FLOOR DOOR 154 CORRIDOR D TO FITNESS AREA



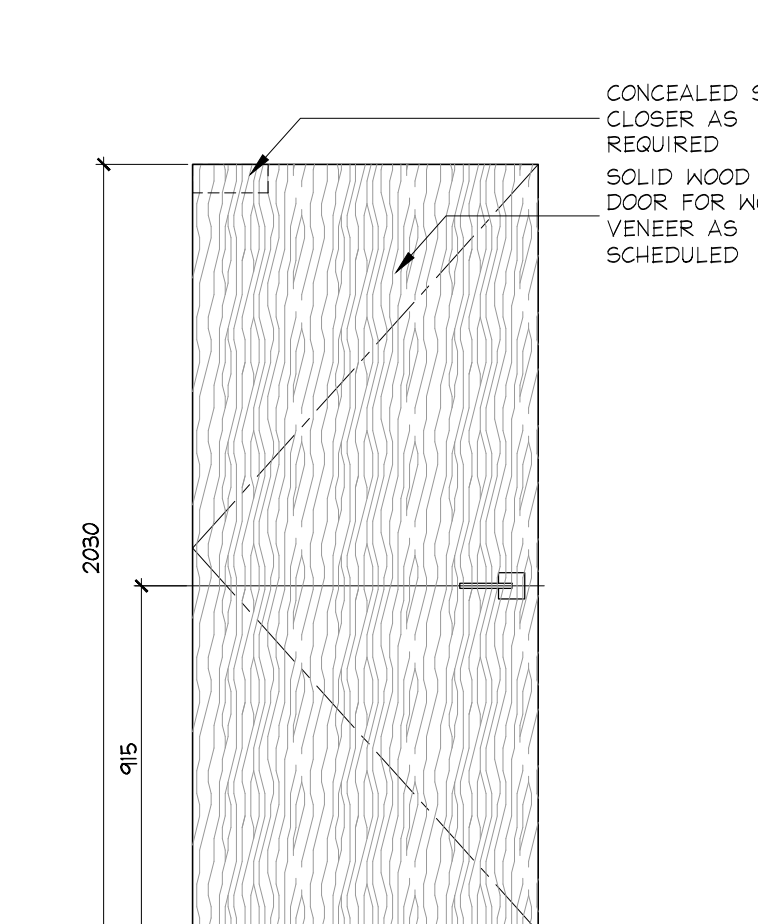
GROUND FLOOR DOORS 156, 157 BARRIER FREE WC



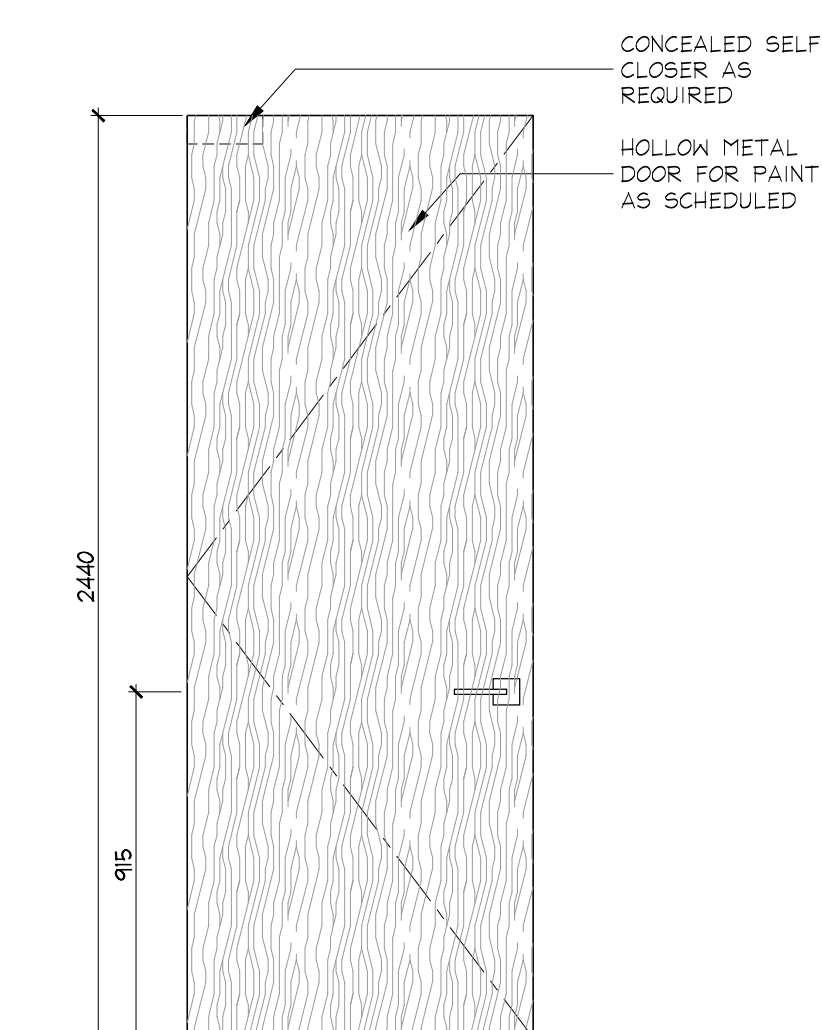
GROUND FLOOR DOORS 156, 157 (INTERIOR) BARRIER FREE WC



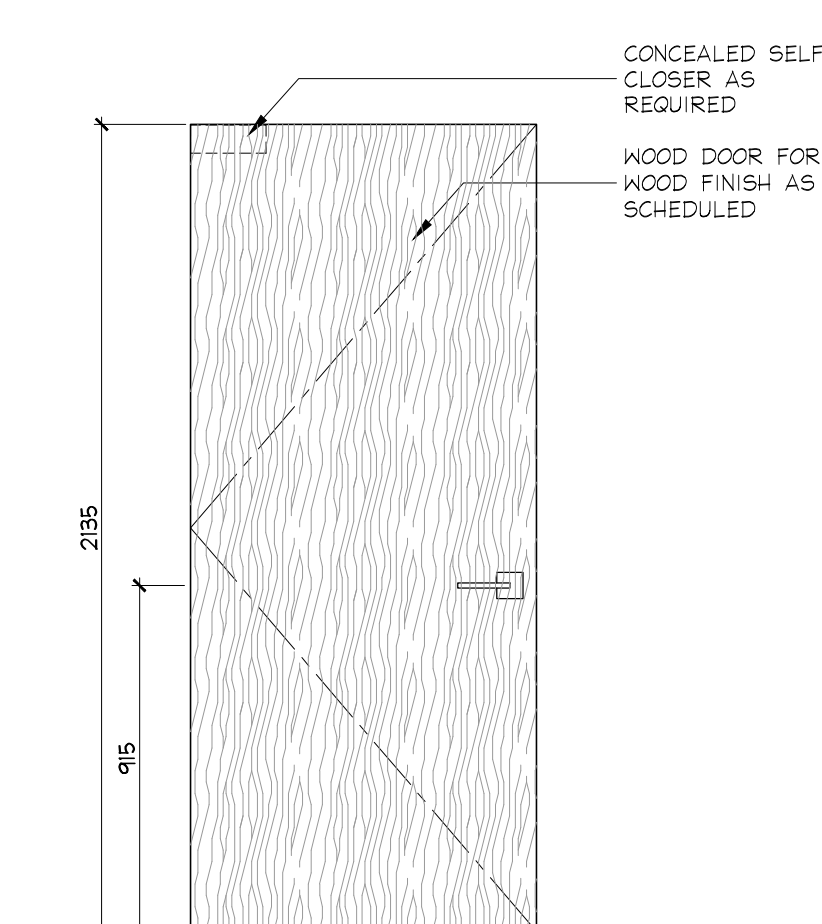
GROUND FLOOR DOOR 158, 158C THEATRE



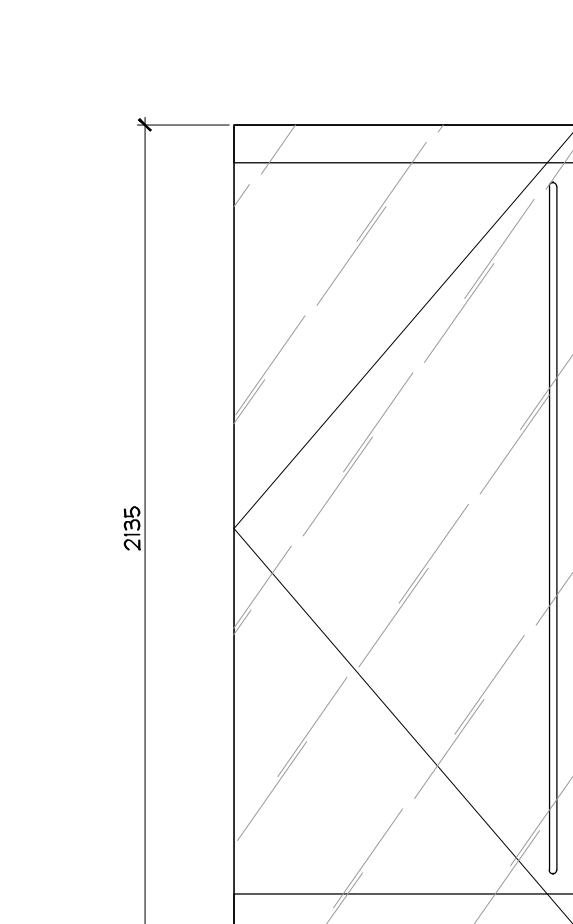
GROUND FLOOR DOORS 153A, 153B, 163A THEATRE / PARTY ROOM VFCU ACCESS PANEL



GROUND FLOOR DOOR 159 CORRIDOR D ELECTRICAL CLOSET



GROUND FLOOR DOOR 160.1 CORRIDOR C TO CORRIDOR A



GROUND FLOOR DOOR 160.2, 164 PARTY ROOM AMENITY ENTRANCE PROPERTY MANAGEMENT OFFICE

| NO | DATE        | COMMENTS              | INI |
|----|-------------|-----------------------|-----|
| 03 | 08 MAR / 15 | ISSUED FOR TLE TENDER | AP  |
| 02 | 28 JAN / 15 | ISSUED FOR TENDER     | AP  |

REVISIONS:

**UNION 31**

**UNION31 INC.**  
183 BATHURST STREET, STE 201  
TORONTO, ON, M5T 2R7, CANADA  
TEL: 416-597-1576 FAX: 416-597-2139

|  |                 |
|--|-----------------|
| PROJECT NAME:<br><b>ALEXANDRA PARK MAIN BUILDING</b> |                 |
| BLOCK 11<br>ON, Canada                               |                 |
| PROJECT NO.:   | 13-949          |
| DRAWINGS:<br><b>DOOR ELEVATIONS</b>                  |                 |
| DATE STARTED:  | 07 JUL / 13     |
| SCALE:   | AS NOTED        |
| DRAWN BY:  | SM              |
| APPROVED BY:   | KC              |
| DRAWING NO.:   | <b>ID 2.4.0</b> |