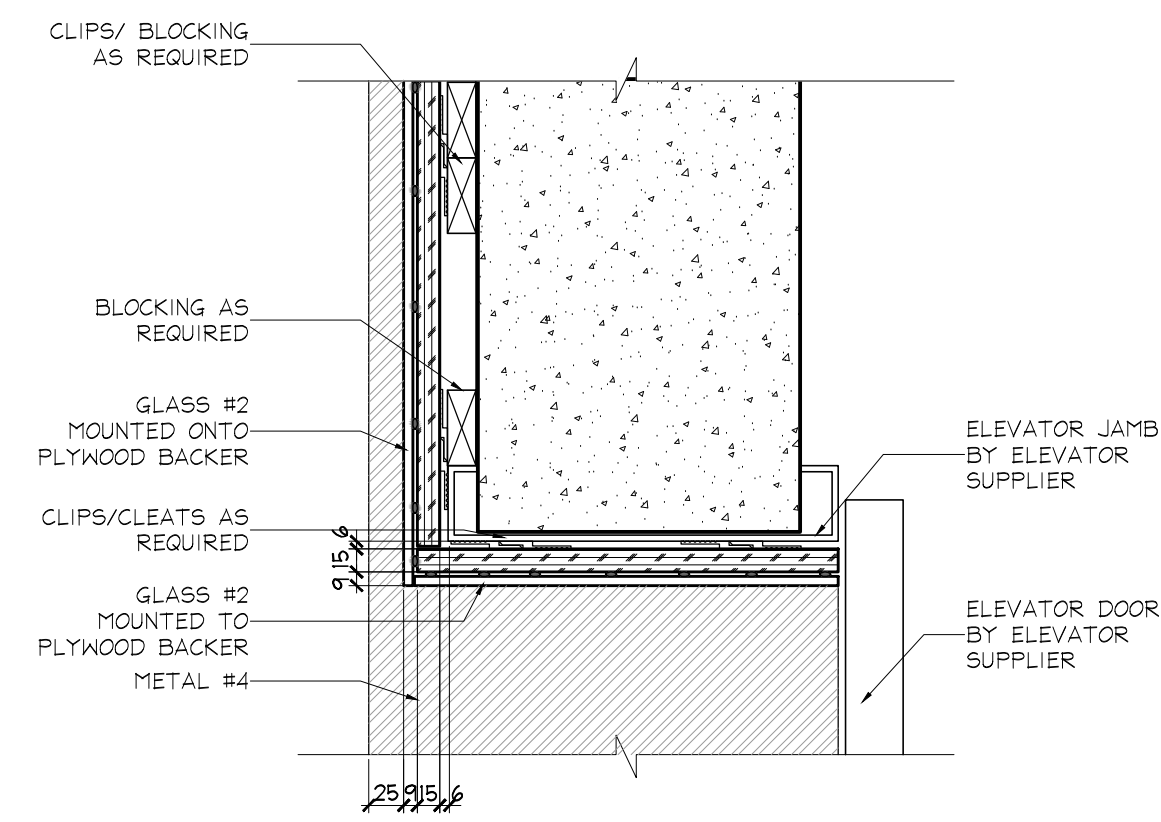
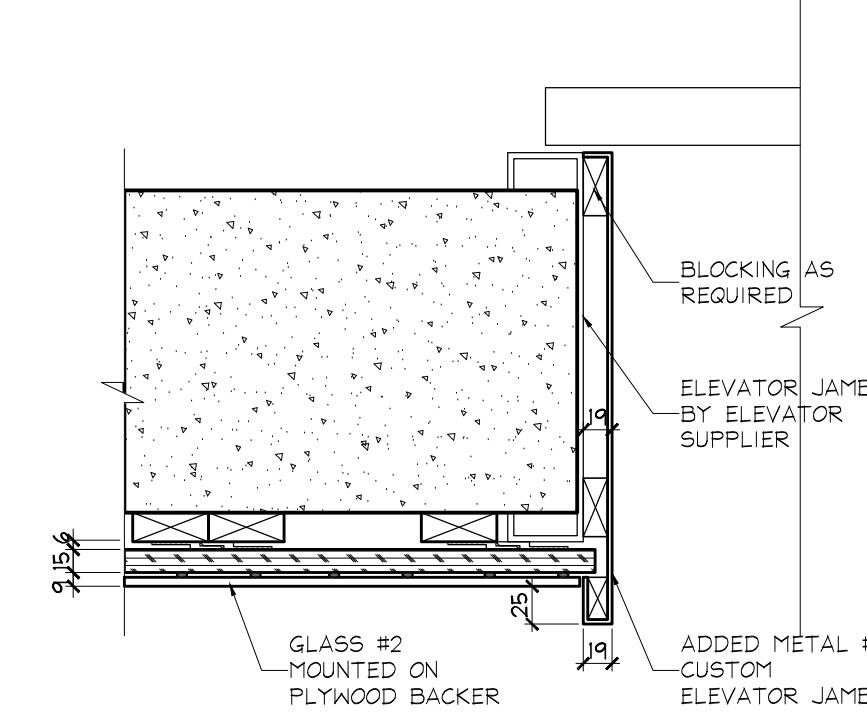


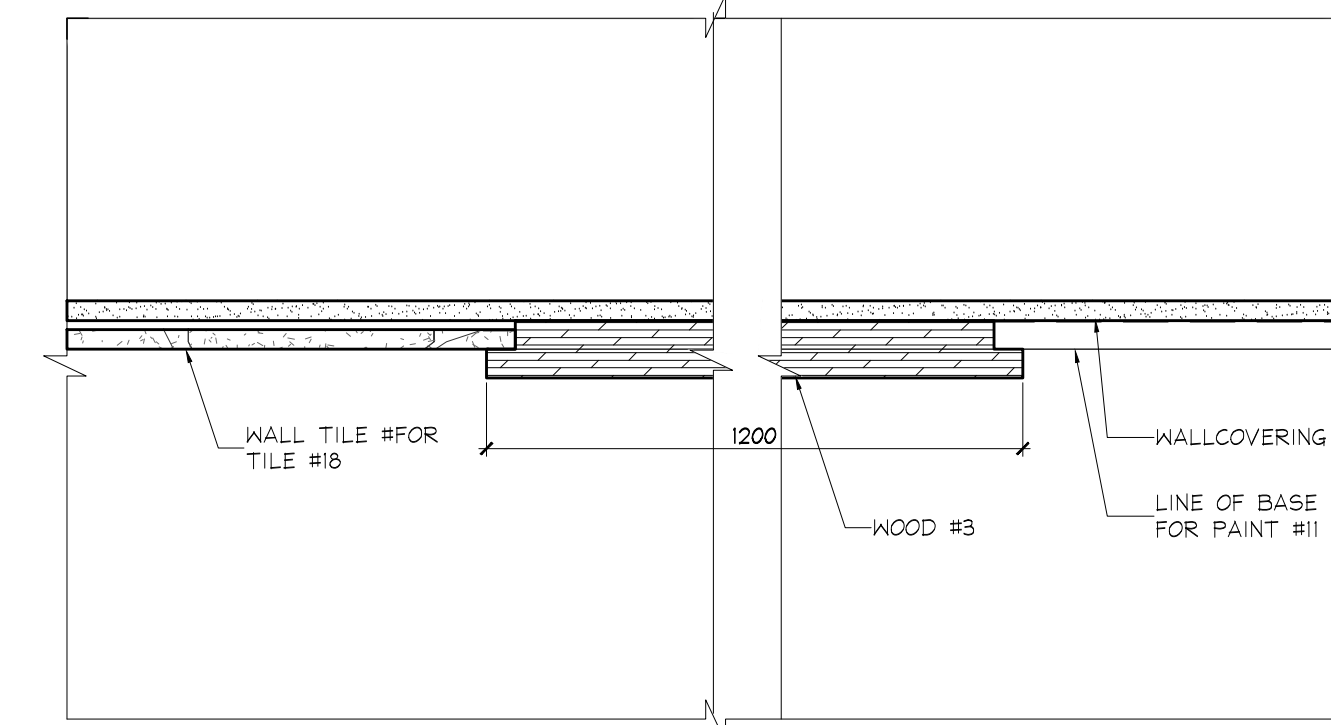
1 WALL SECTION  
ID3.0.0 1ST FLOOR SCALE 1:5



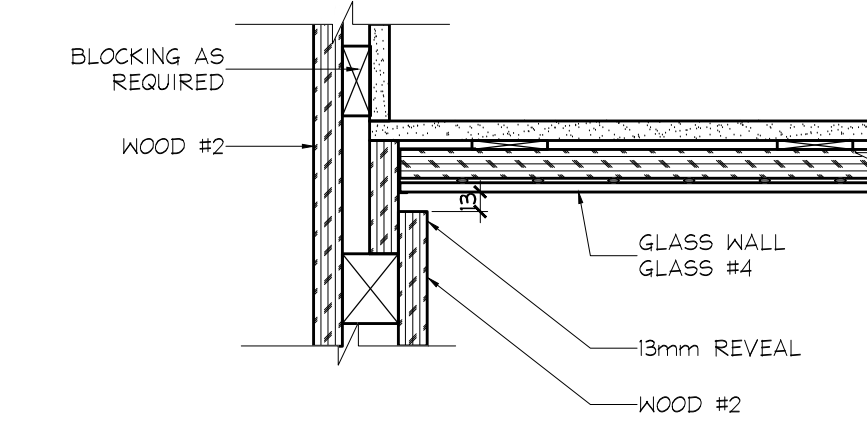
2 ELEVATOR HEADER SECTION  
ID3.0.0 1ST FLOOR SCALE 1:5



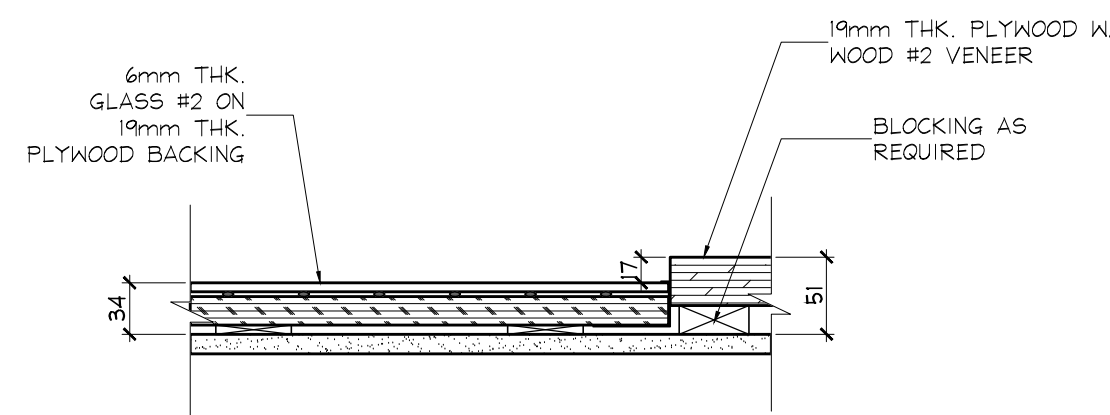
3 ELEVATOR JAMB SECTION  
ID3.0.0 1ST FLOOR SCALE 1:5



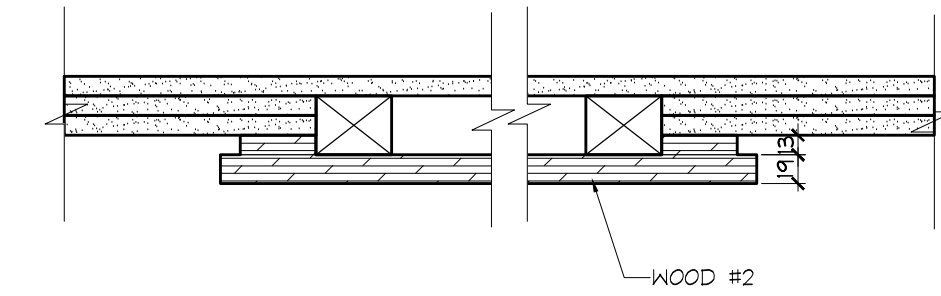
4 SECTION @ WOOD PANEL  
ID3.0.0 TYPICAL CORRIDOR SCALE 1:5



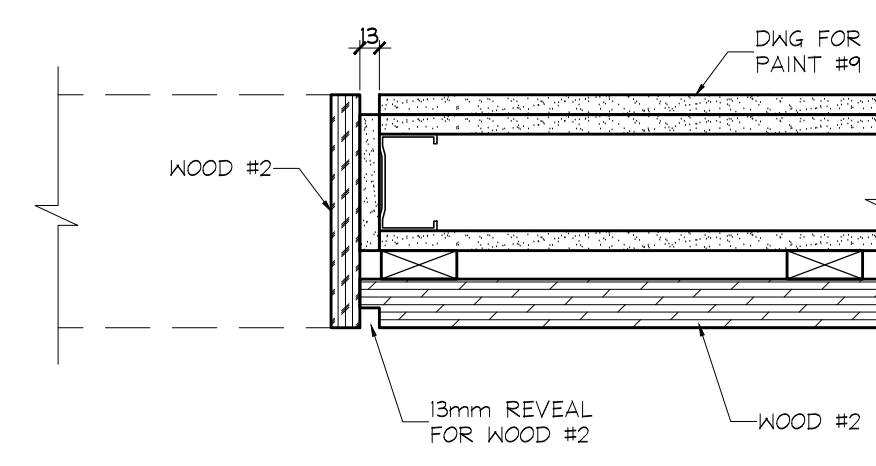
5 PLAN SECTION @ WOOD PANEL & GLASS WALL CONNECTION  
ID3.0.0 1ST FLOOR LOBBY SCALE 1:5



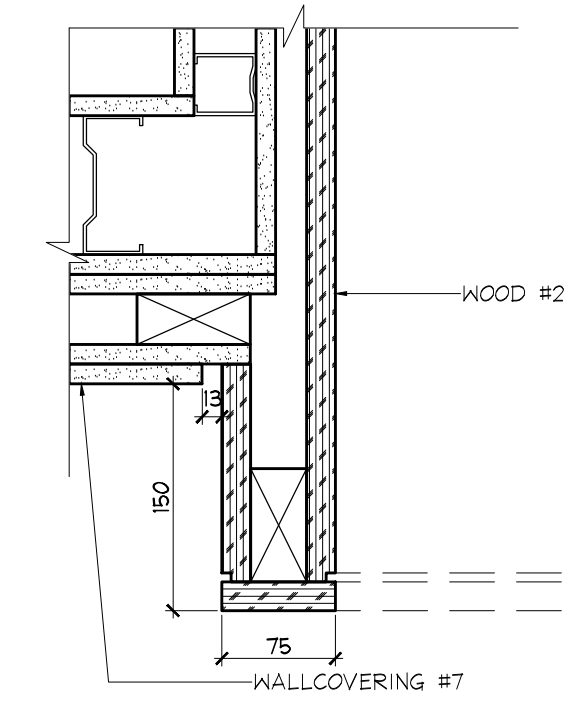
6 PLAN SECTION @ WOOD PANEL & GLASS WALL TRANSITION  
ID3.0.0 1ST FLOOR LOBBY SCALE 1:5



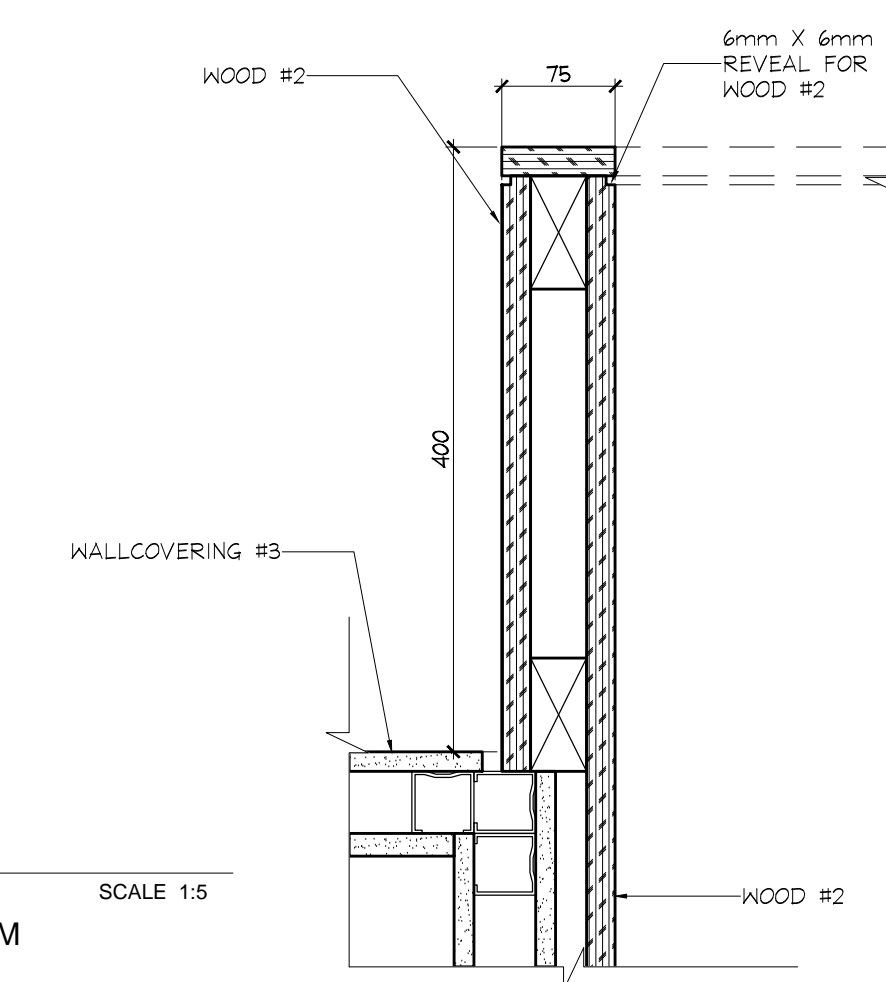
7 PLAN SECTION @ WOOD WALL  
ID3.0.0 1ST FLOOR LOBBY SCALE 1:5



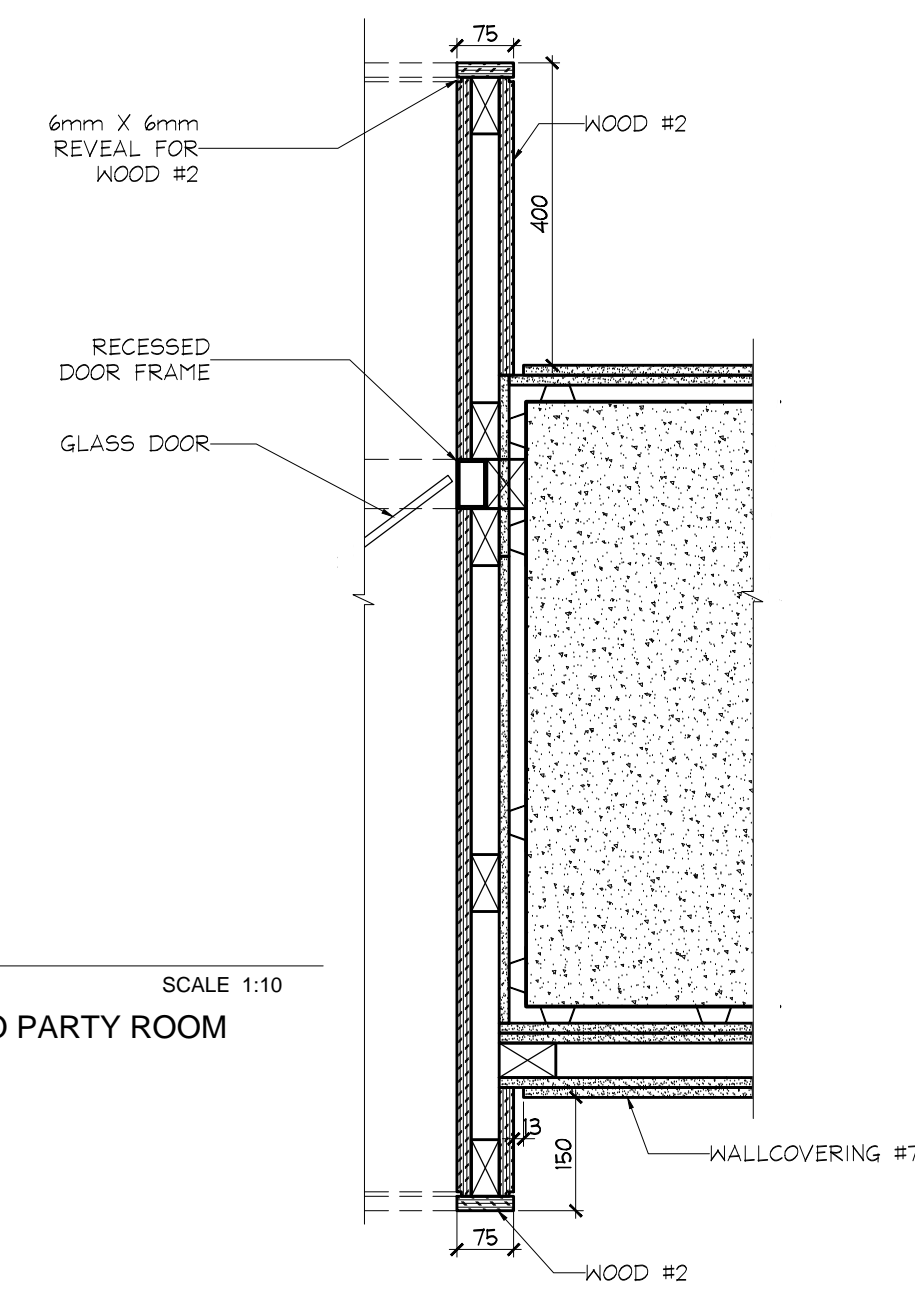
8 PLAN SECTION @ MAILROOM - JAMB  
ID3.0.0 1ST FLOOR LOBBY SCALE 1:5



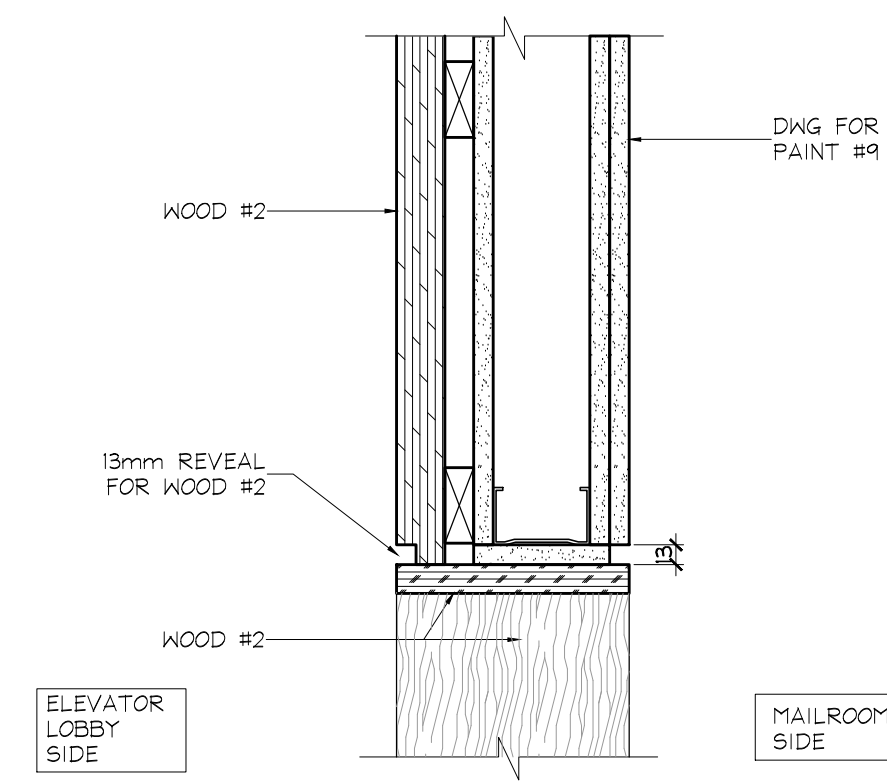
9 SECTION  
ID3.0.0 1ST FLOOR ENTRANCE TO PARTY ROOM SCALE 1:5



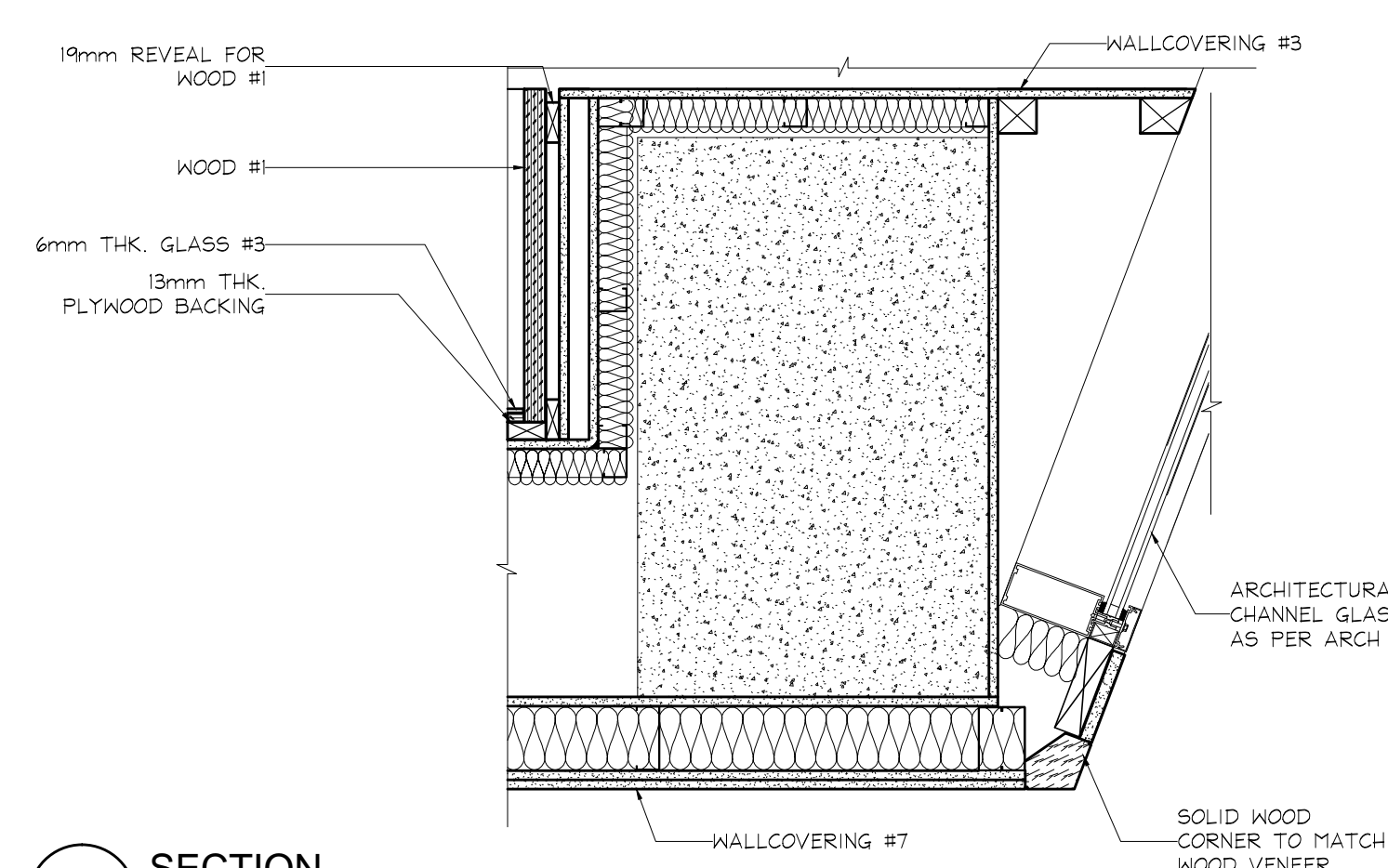
10 SECTION  
ID3.0.0 1ST FLOOR PARTY ROOM SCALE 1:5



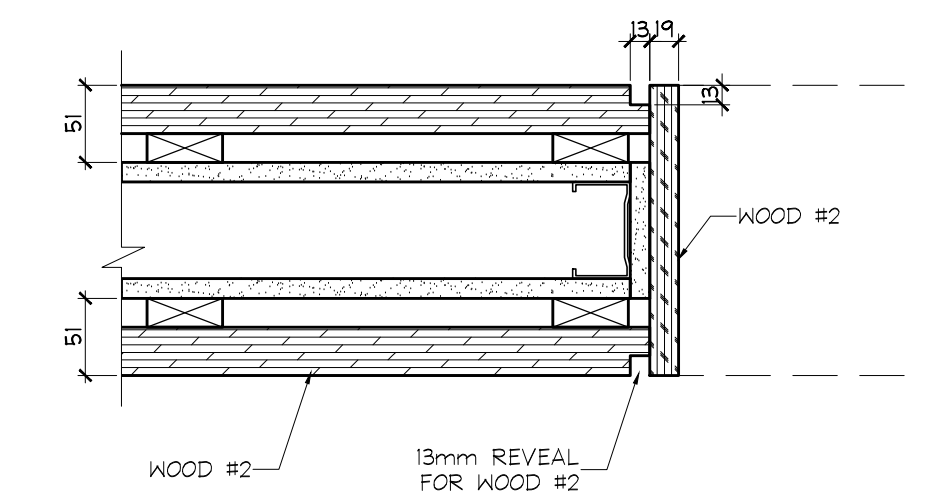
11 SECTION  
ID3.0.0 1ST FLOOR ENTRANCE TO PARTY ROOM SCALE 1:10



12 MAILROOM ENTRANCE HEADER SECTION  
ID3.0.0 1ST FLOOR LOBBY SCALE 1:5



13 SECTION  
ID3.0.0 1ST FLOOR LOBBY SCALE 1:10



14 PLAN SECTION @ CORRIDOR 'D' & ANTIROOM  
ID3.0.0 1ST FLOOR LOBBY SCALE 1:5

DO NOT SCALE DRAWINGS.

CONTRACTOR MUST VERIFY ALL DRAWINGS, DIMENSIONS, DETAILS AND SPECIFICATIONS, AND REPORT ANY DISCREPANCIES TO UNION 31 INC. BEFORE PROCEEDING WITH WORK. MATERIALS MAY NOT BE SUBSTITUTED WITHOUT WRITTEN APPROVAL FROM UNION 31 INC. ALL DRAWINGS AND SPECIFICATIONS ARE INSTRUMENTS OF SERVICE AND THE PROPERTY OF UNION 31 INC. WHICH MUST BE RETURNED AT THE COMPLETION OF THE WORK.

PRINTED: 28-May-15

NO	DATE	COMMENTS	INI
03	06 MAR / 15	ISSUED FOR TILE TENDER	AP
02	26 JAN / 15	ISSUED FOR TENDER	AP

REVISIONS:

UNION 31

UNION31 INC.  
183 BATHURST STREET, STE. 201  
TORONTO, ON, M5T 2R7, CANADA  
TEL: 416-597-1576 FAX: 416-597-2139

PROJECT NAME:  
**ALEXANDRA PARK  
MAIN BUILDING**  
BLOCK 11  
ON, Canada

PROJECT NO.:  
13-949

DRAWINGS:  
PLAN DETAILS

DATE STARTED: 07 AUG / 13  
SCALE: AS NOTED  
DRAWN BY: SM  
APPROVED BY: KC

DRAWING NO.:  
ID  
3.0.0