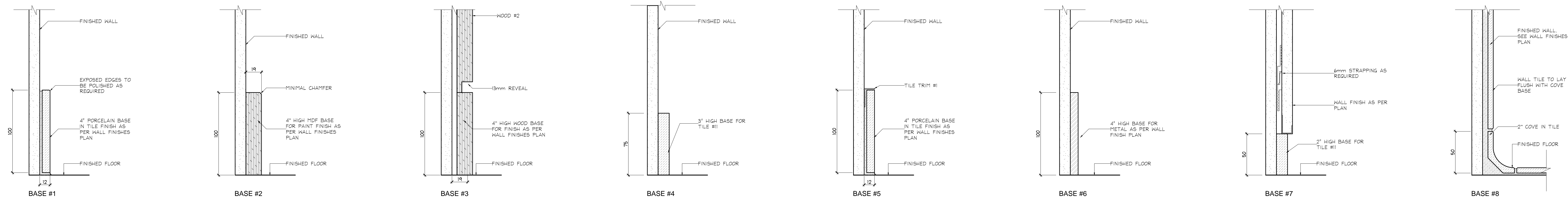


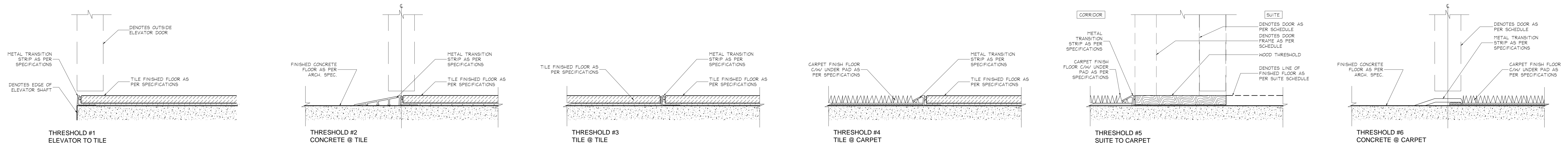
DO NOT SCALE DRAWINGS.

CONTRACTOR MUST VERIFY ALL DRAWINGS, DIMENSIONS, DETAILS AND SPECIFICATIONS, AND REPORT ANY DISCREPANCIES TO UNION31 INC. BEFORE PROCEEDING WITH WORK. MATERIALS MAY NOT BE SUBSTITUTED WITHOUT WRITTEN APPROVAL FROM UNION31 INC. ALL DRAWINGS AND SPECIFICATIONS ARE INSTRUMENTS OF SERVICE AND THE PROPERTY OF UNION31 INC. WHICH MUST BE RETURNED AT THE COMPLETION OF THE WORK.

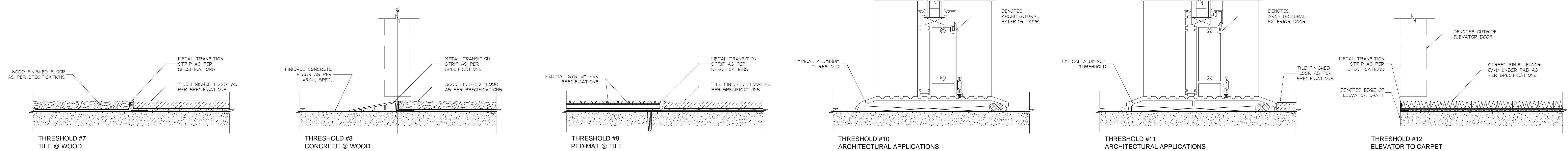
PRINTED: 28-May-15



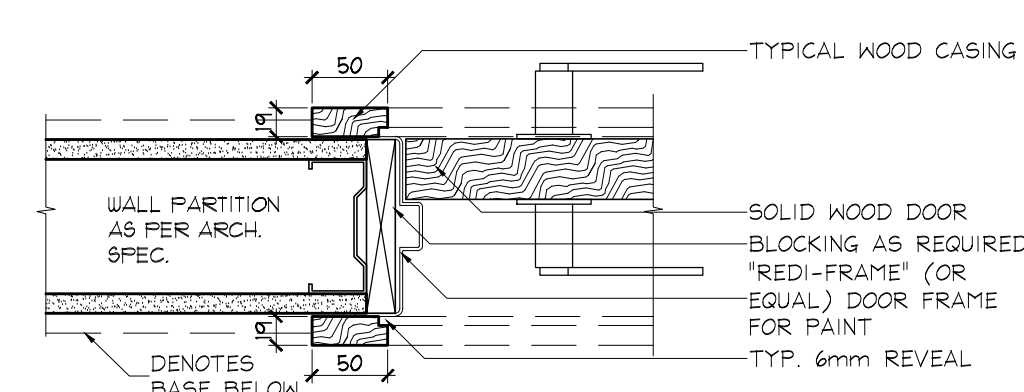
1 BASE DETAILS
TYPICAL SCALE 1:2



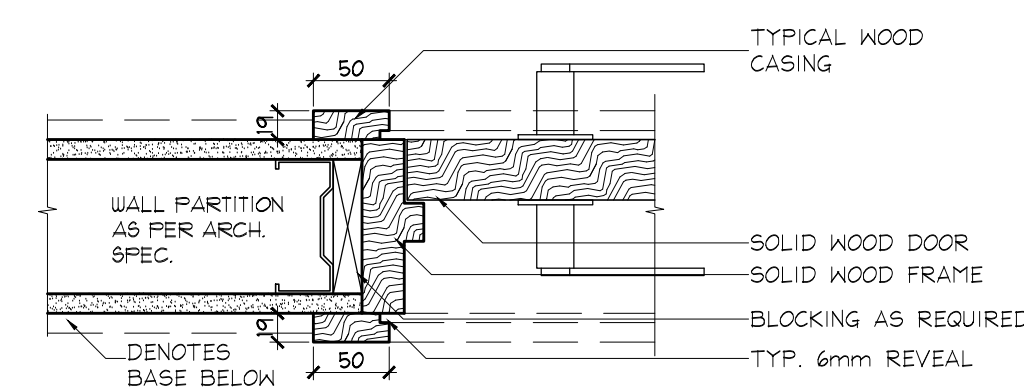
2 THRESHOLD DETAILS
TYPICAL SCALE 1:2



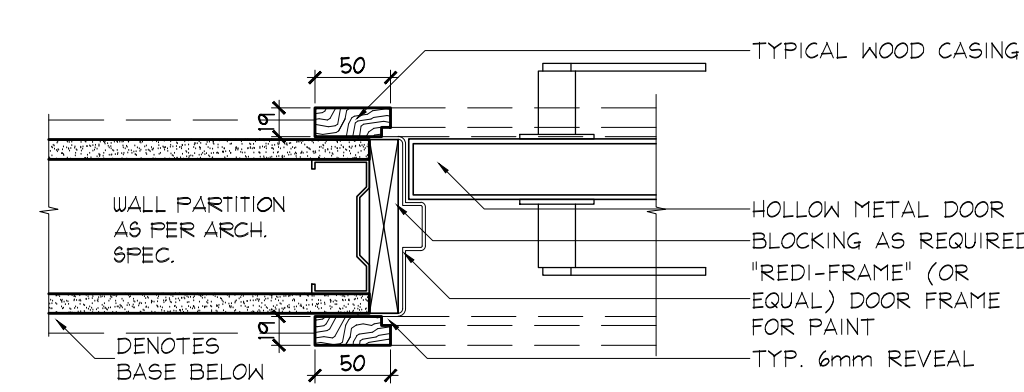
3 THRESHOLD DETAILS
TYPICAL SCALE 1:2



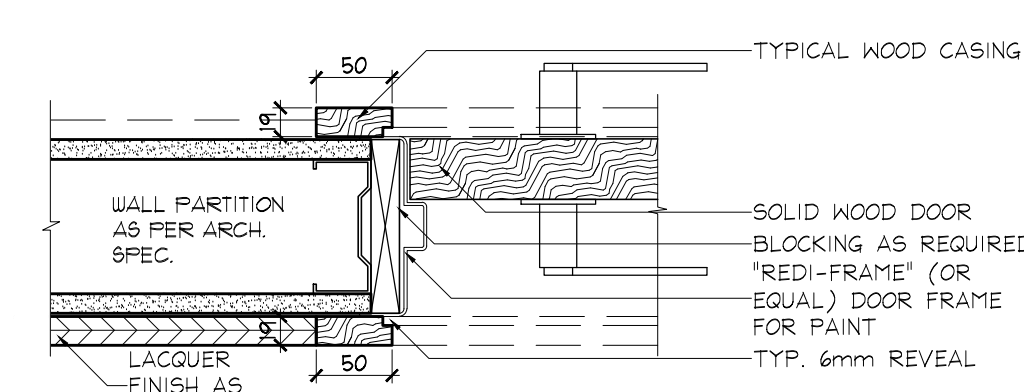
4 TYP. CASING HORIZONTAL SECTION - DETAIL
SCALE 1:5



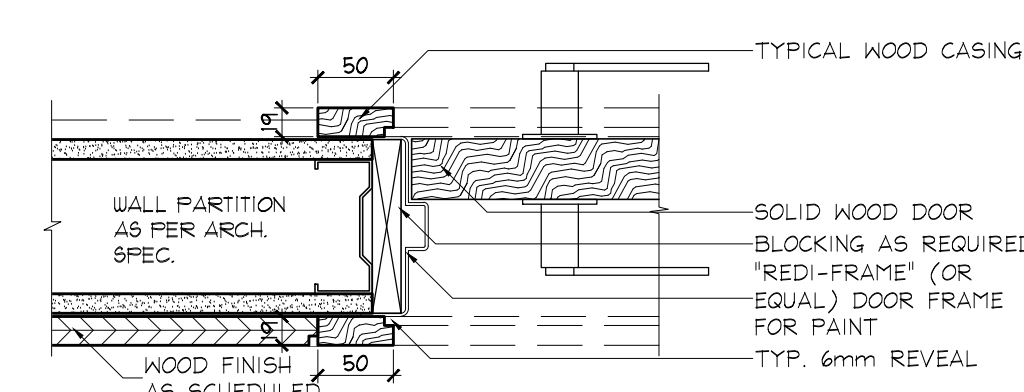
5 TYP. CASING HORIZONTAL SECTION - DETAIL
SCALE 1:5



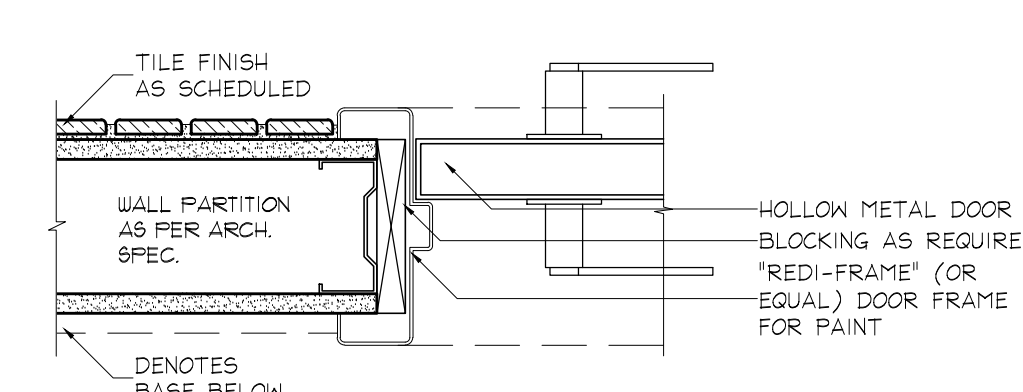
6 TYP. CASING HORIZONTAL SECTION - DETAIL
SCALE 1:5



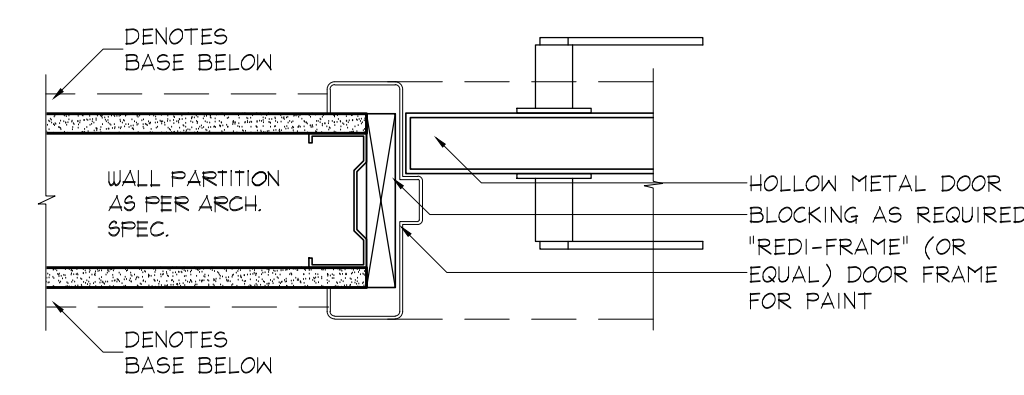
7 TYP. CASING @ TILE WALL HORIZONTAL SECTION - DETAIL
SCALE 1:5



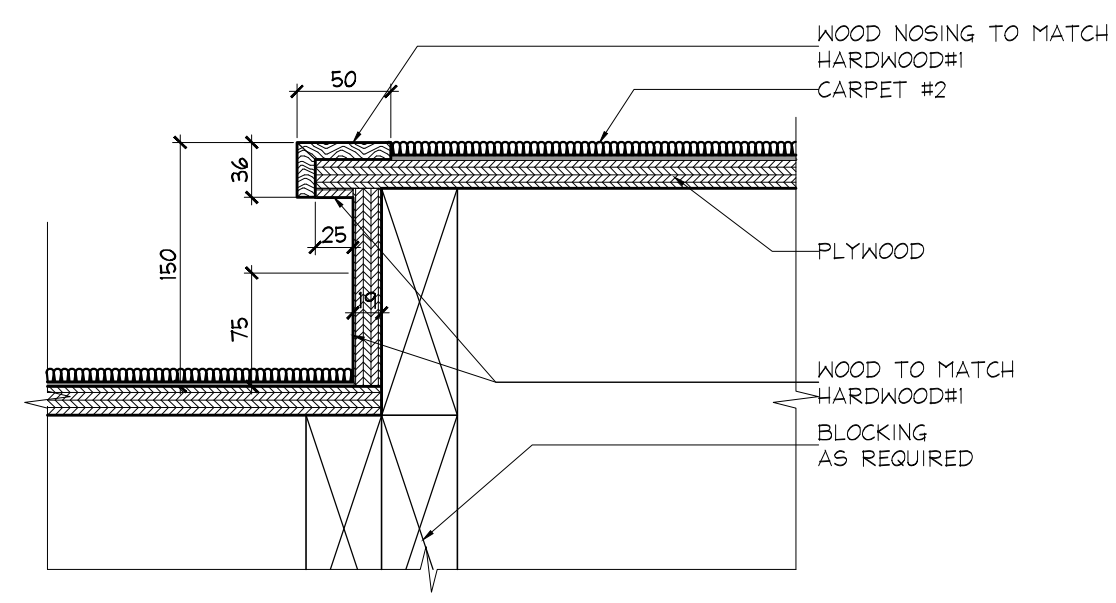
8 TYP. CASING @ WOOD HORIZONTAL SECTION - DETAIL
SCALE 1:5



9 TYP. CASING @ TILE WALL HORIZONTAL SECTION - DETAIL
SCALE 1:5



10 TYP. CASING HORIZONTAL SECTION - DETAIL
SCALE 1:5



11 SECTION - STEP AMENITY - THEATRE ROOM GROUND FLOOR
SCALE 1:5

NO.	DATE	COMMENTS	INI
03	08 MAR / 15	ISSUED FOR TILE TENDER	AP
02	28 JAN / 15	ISSUED FOR TENDER	AP

UNION31

UNION31 INC.
183 BATHURST STREET, STE. 201
TORONTO, ON, M5T 2R7, CANADA
TEL: 416-597-1576 FAX: 416-597-2139

PROJECT NAME:
ALEXANDRA PARK MAIN BUILDING
BLOCK 11
ON, Canada

PROJECT NO.: 13-949
DRAWINGS:

TYPICAL DETAILS
BASES, THRESHOLDS & CASINGS

DATE STARTED: 07 AUG / 13	DRAWING NO.:
SCALE: AS NOTED	ID
DRAWN BY: GG	5.0.0
APPROVED BY: KC	