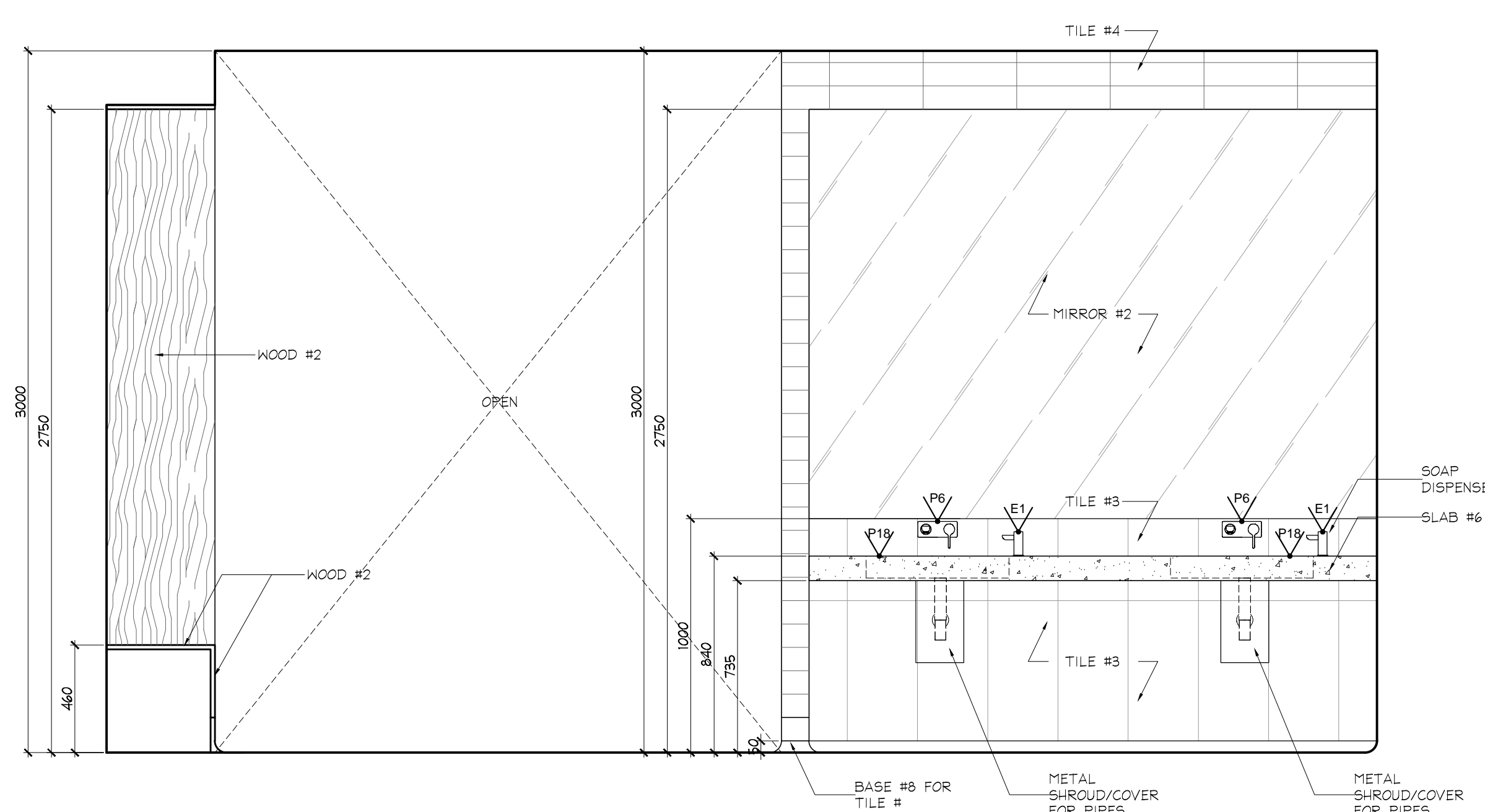


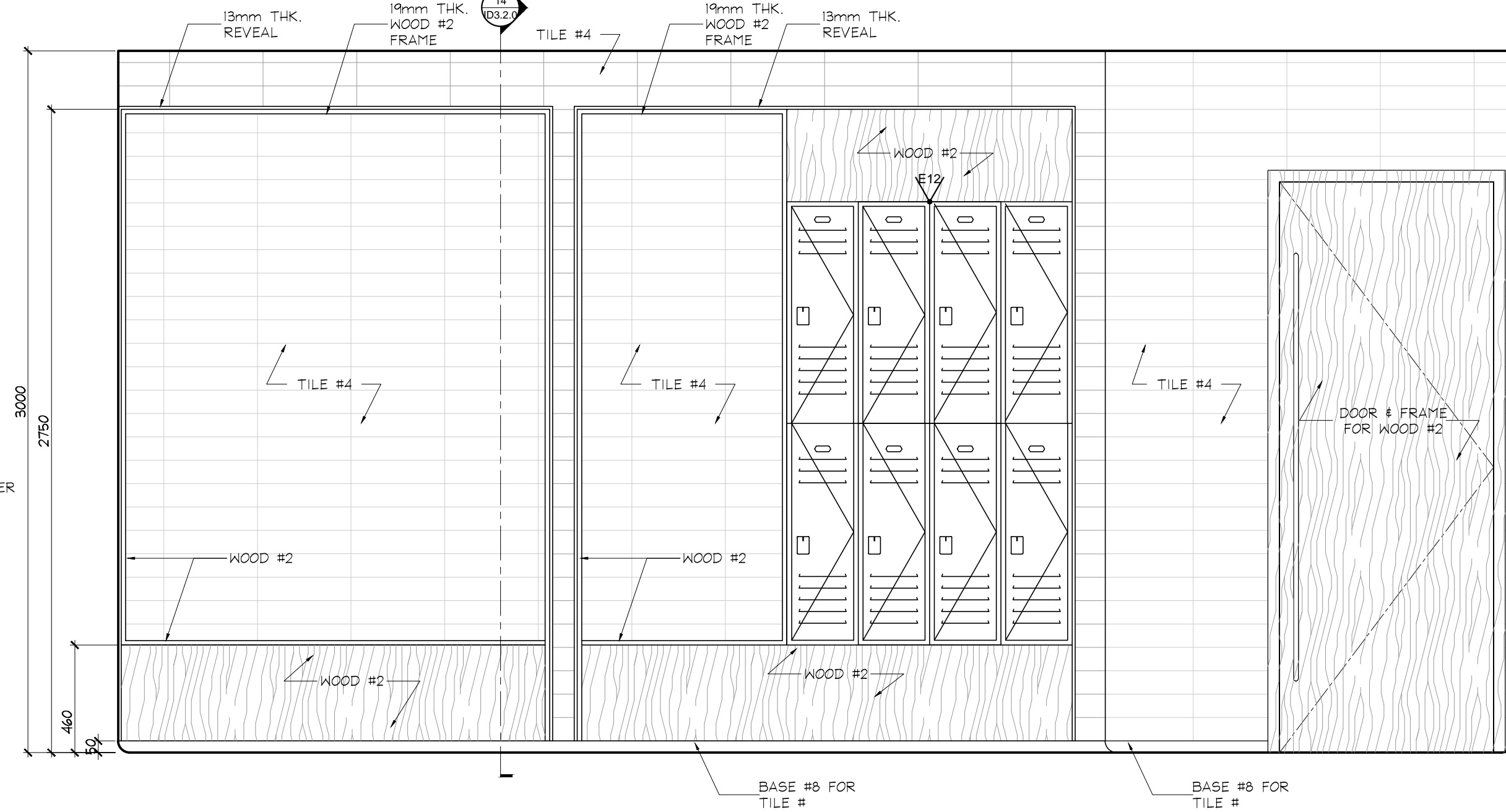
DO NOT SCALE DRAWINGS.

CONTRACTOR MUST VERIFY ALL DRAWINGS, DIMENSIONS, DETAILS AND SPECIFICATIONS, AND REPORT ANY DISCREPANCIES TO UNION 31 INC. BEFORE PROCEEDING WITH WORK. MATERIALS MAY NOT BE SUBSTITUTED WITHOUT WRITTEN APPROVAL FROM UNION 31 INC. ALL DRAWINGS AND SPECIFICATIONS ARE INSTRUMENTS OF SERVICE AND THE PROPERTY OF UNION 31 INC. WHICH MUST BE RETURNED AT THE COMPLETION OF THE WORK.

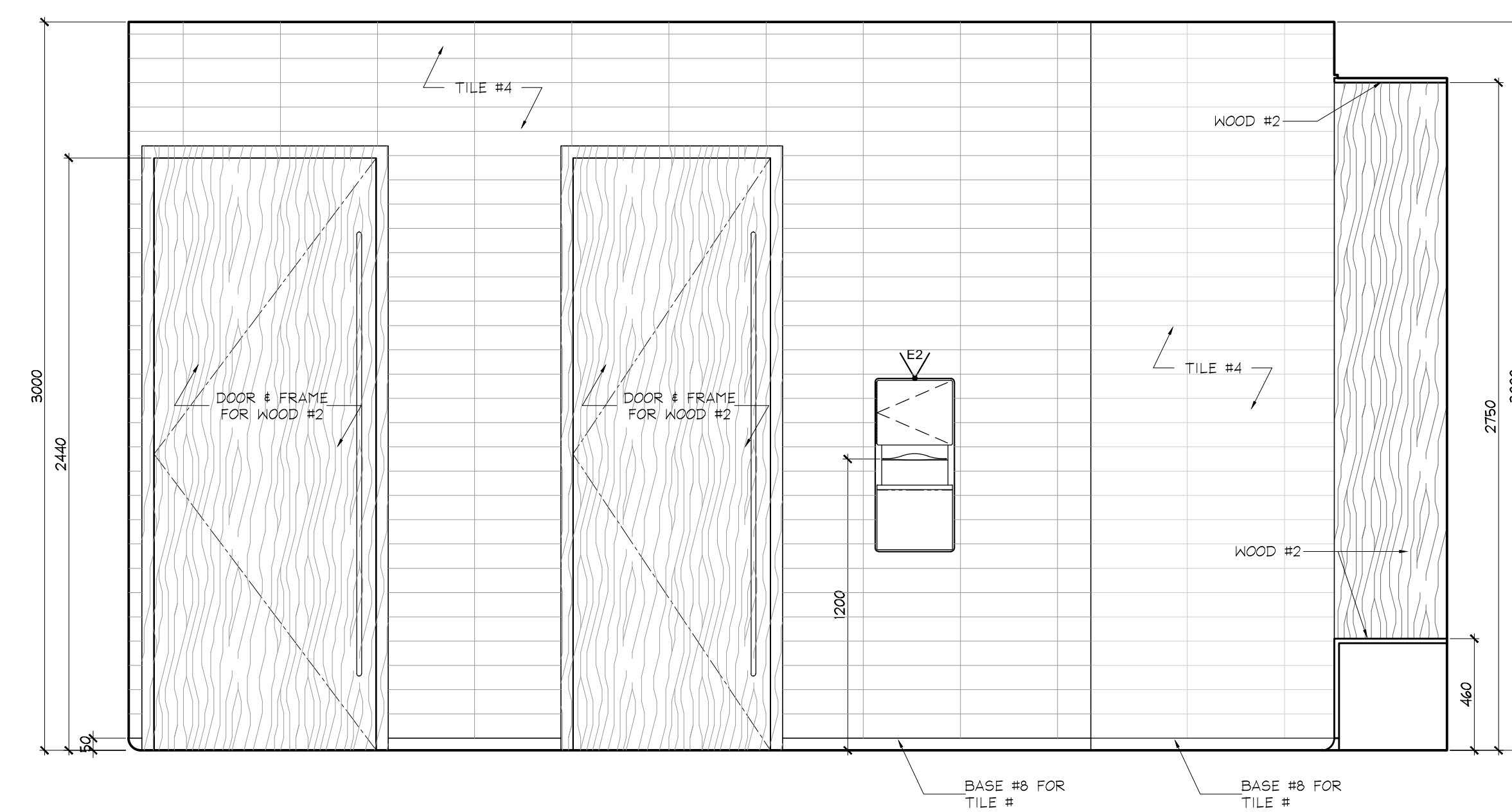
PRINTED: 15-JUN-15



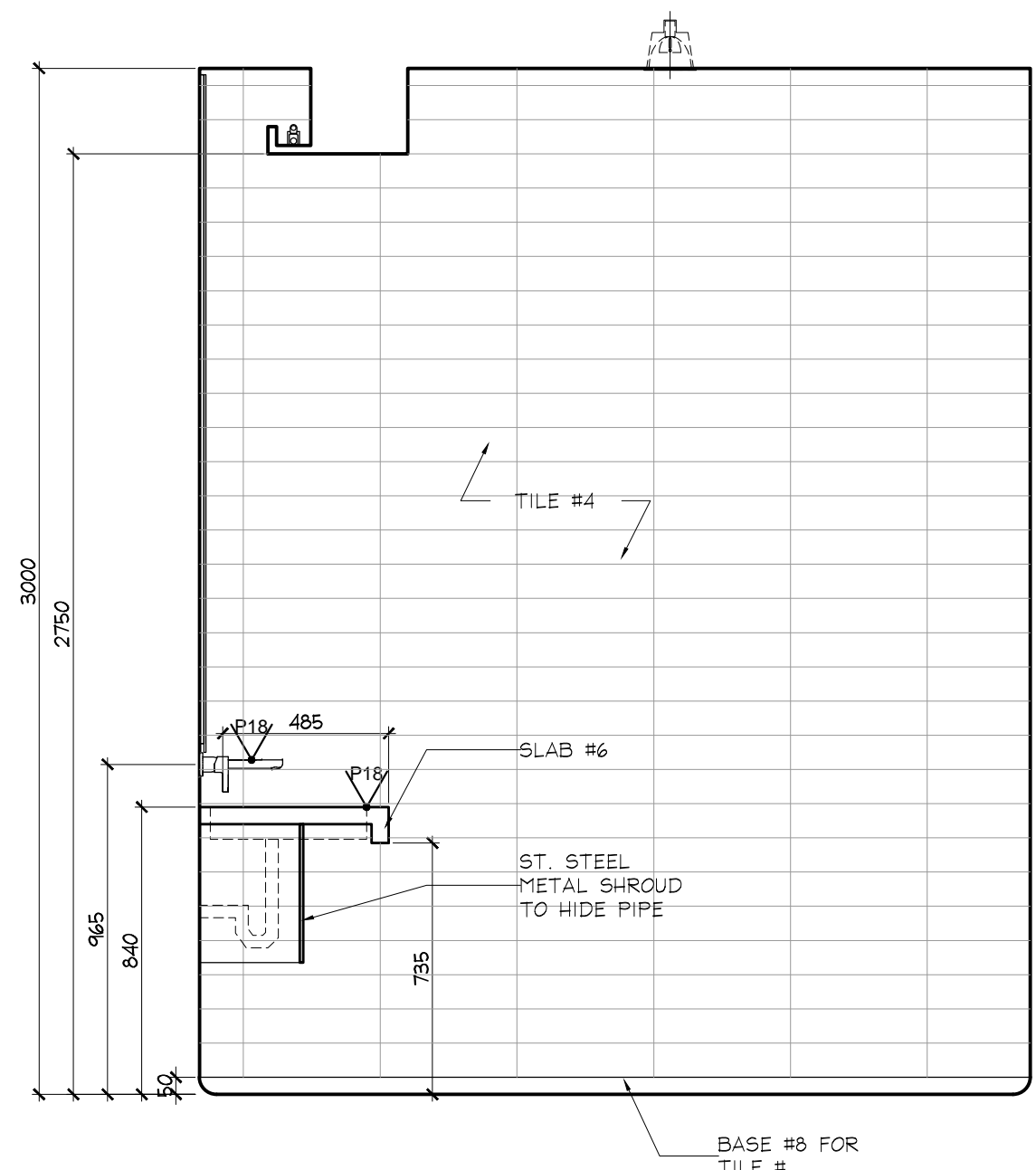
1 ELEVATION
GROUND FLOOR
WOMEN'S WASHROOM
SCALE 1:20



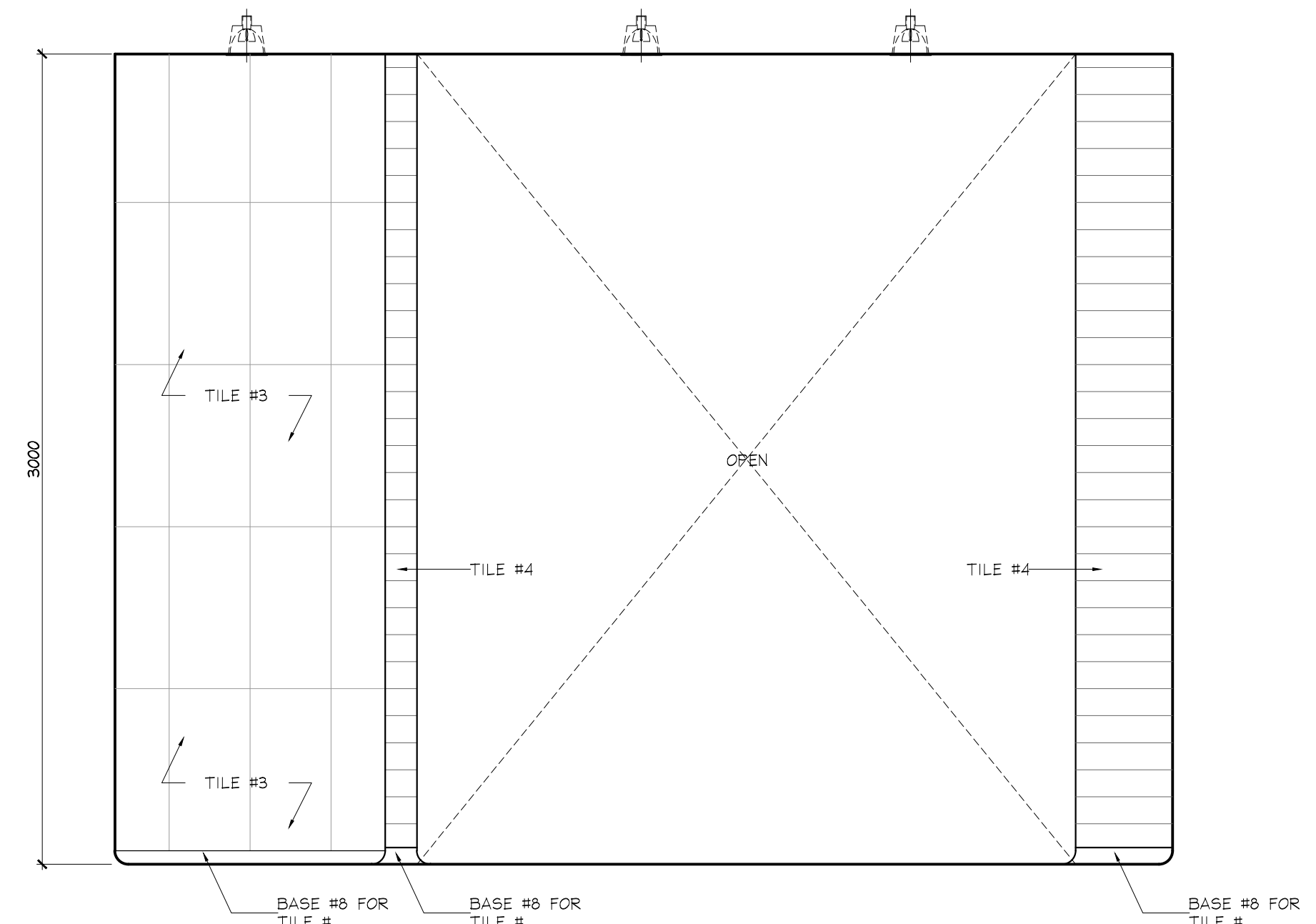
2 ELEVATION
GROUND FLOOR
WOMEN'S WASHROOM
SCALE 1:20



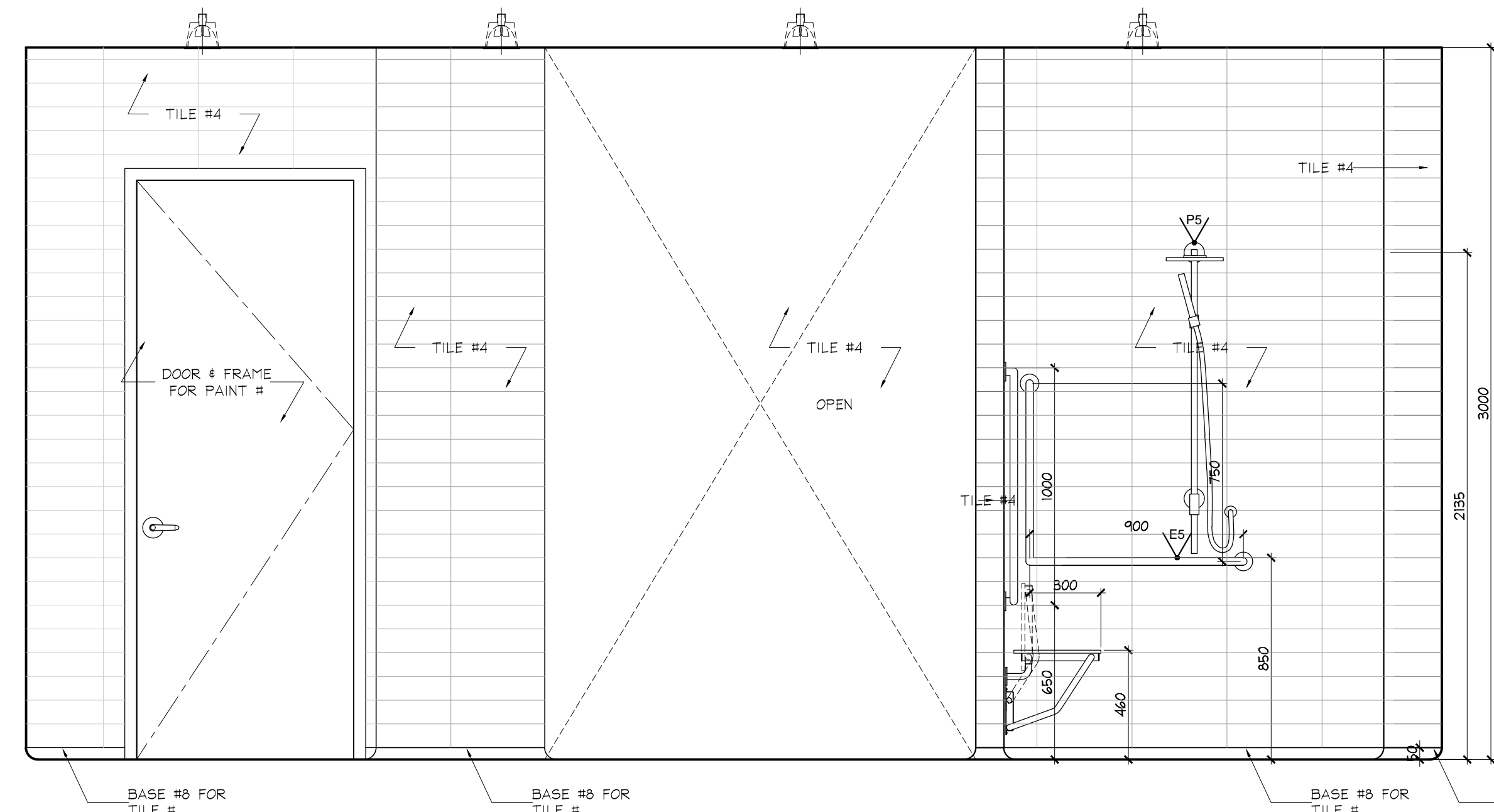
3 ELEVATION
GROUND FLOOR
WOMEN'S WASHROOM
SCALE 1:20



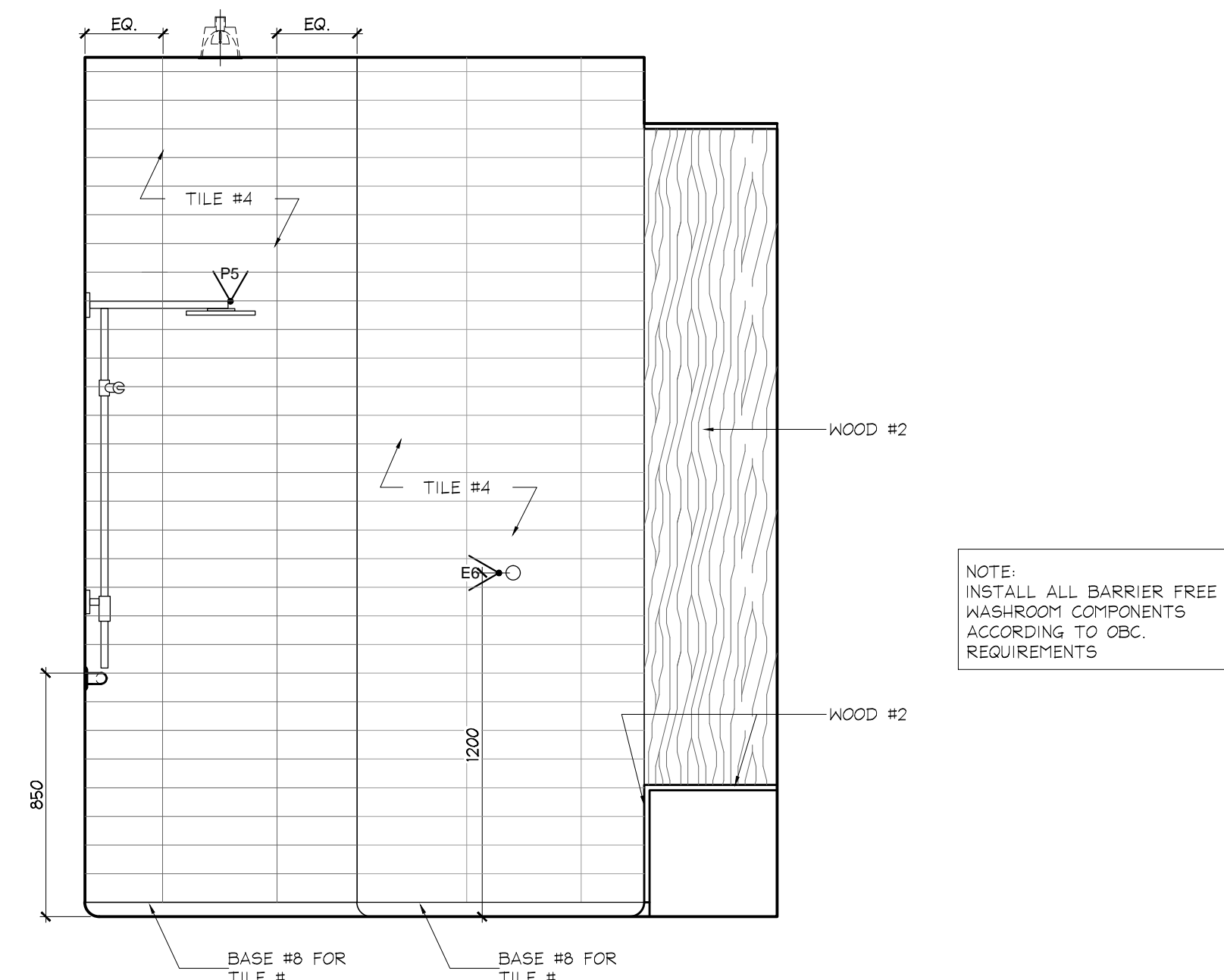
4 ELEVATION
GROUND FLOOR
WOMEN'S WASHROOM
SCALE 1:20



5 ELEVATION
GROUND FLOOR
WOMEN'S WASHROOM
SCALE 1:20

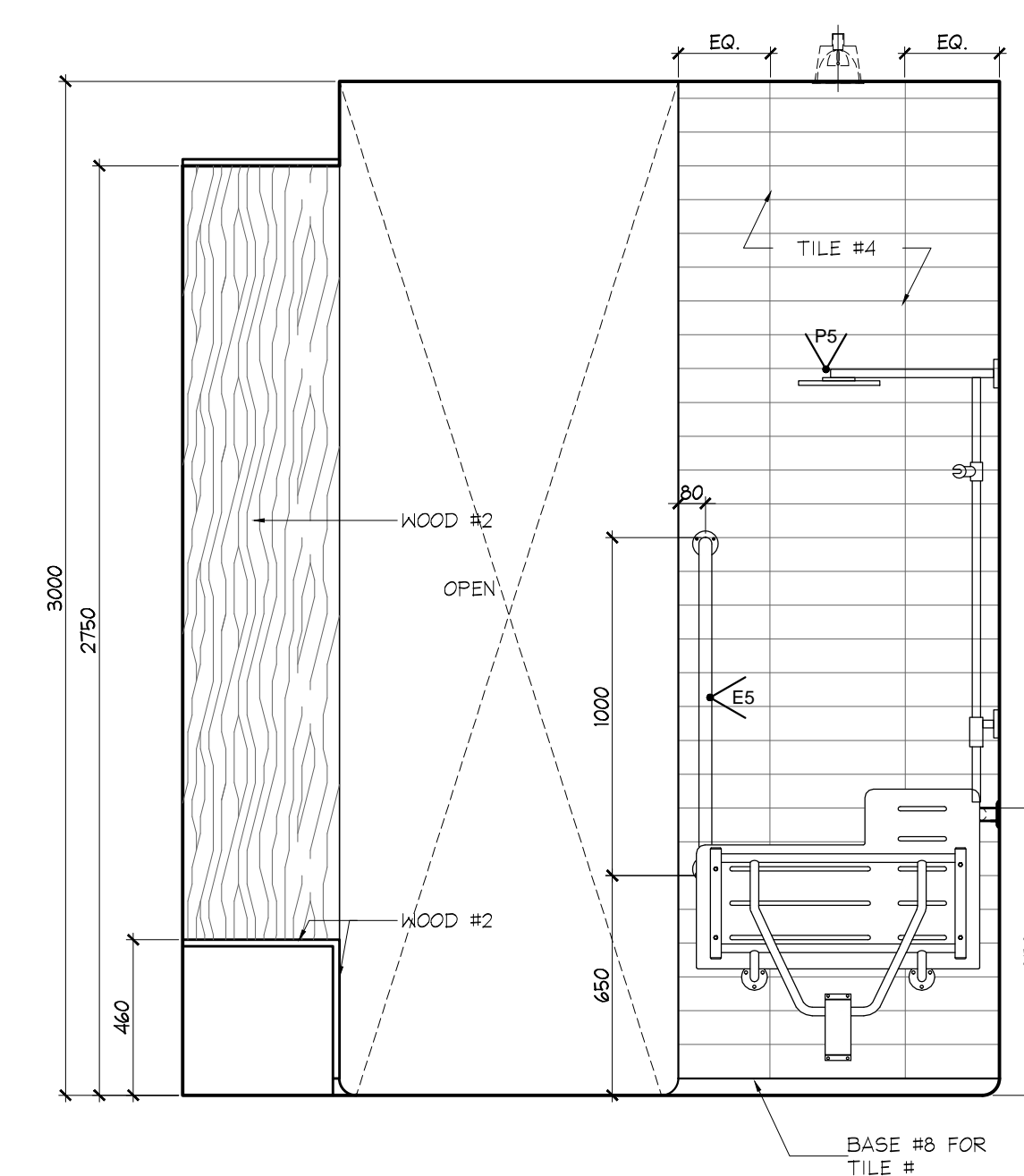


6 ELEVATION
GROUND FLOOR
WOMEN'S WASHROOM
SCALE 1:20

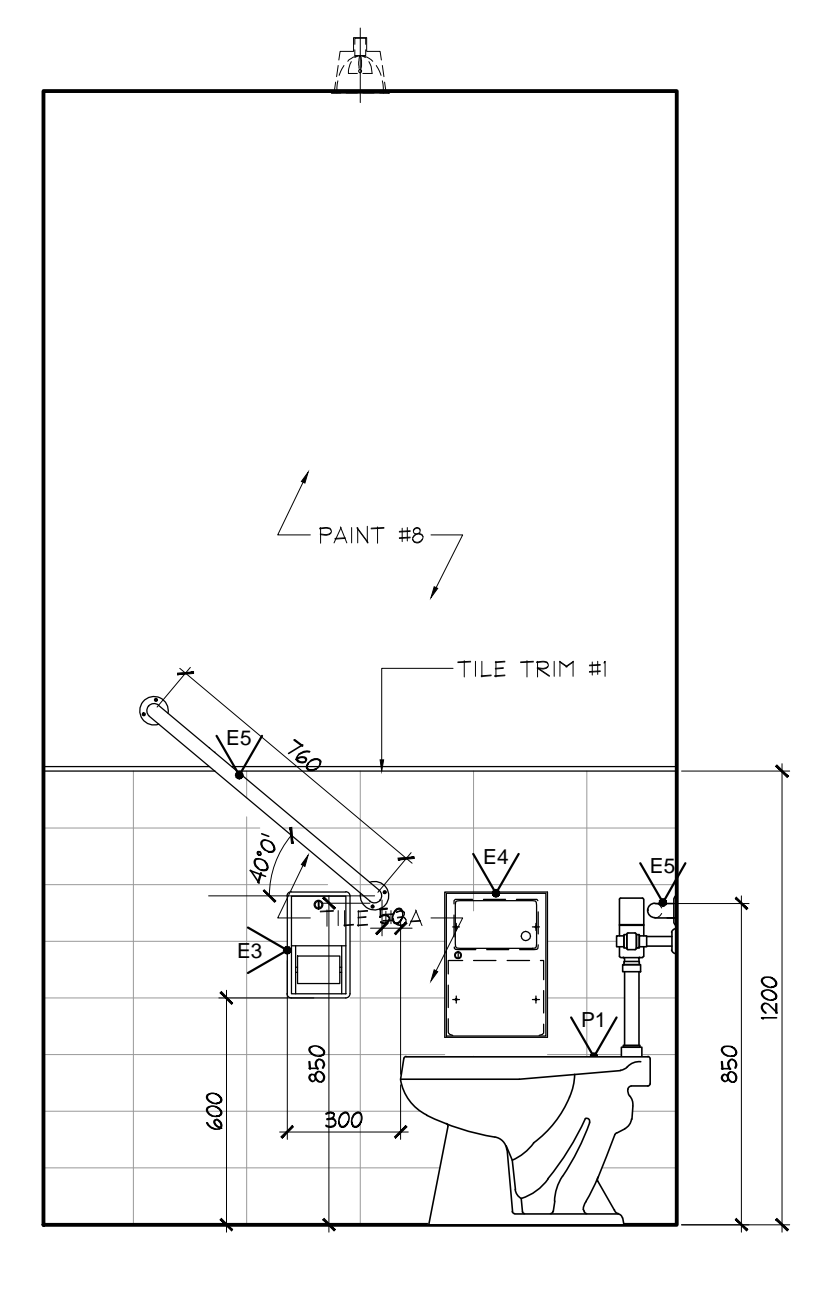


7 ELEVATION
GROUND FLOOR
WOMEN'S WASHROOM
SCALE 1:20

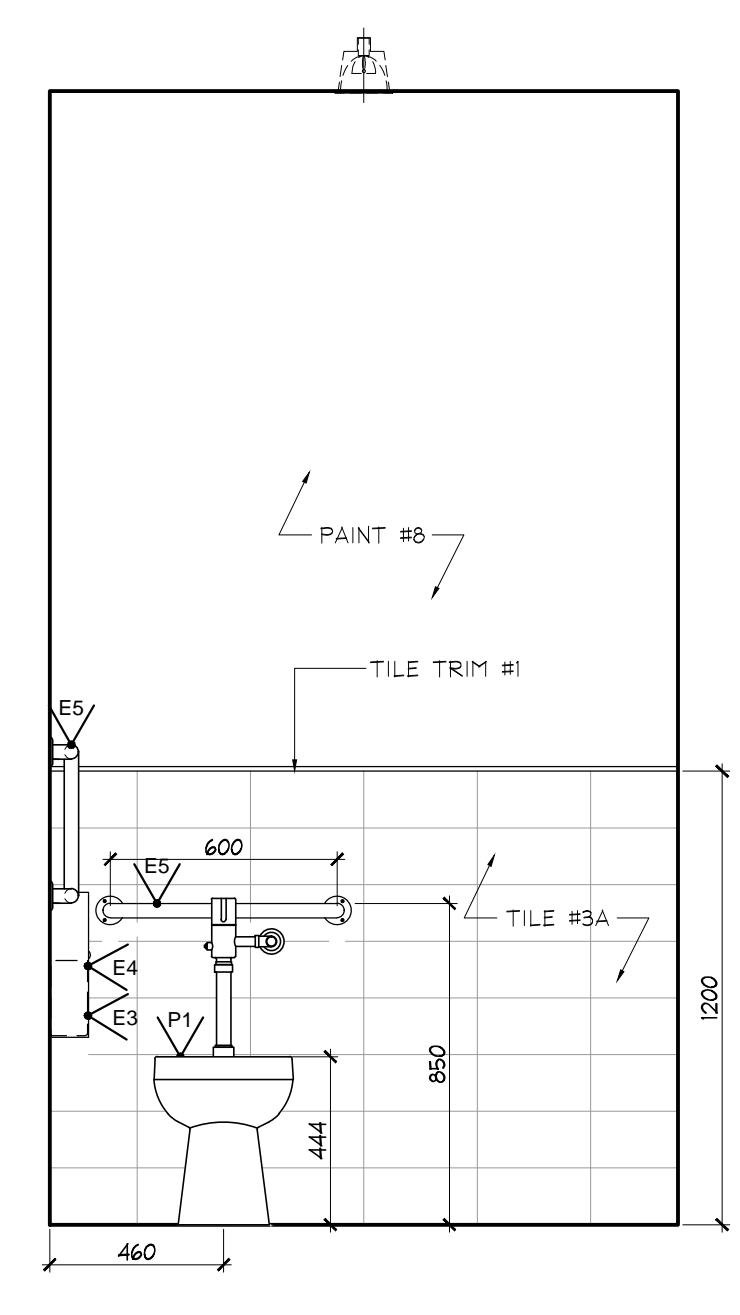
NOTE: INSTALL ALL BARRIER FREE WASHROOM COMPONENTS ACCORDING TO CBC REQUIREMENTS.



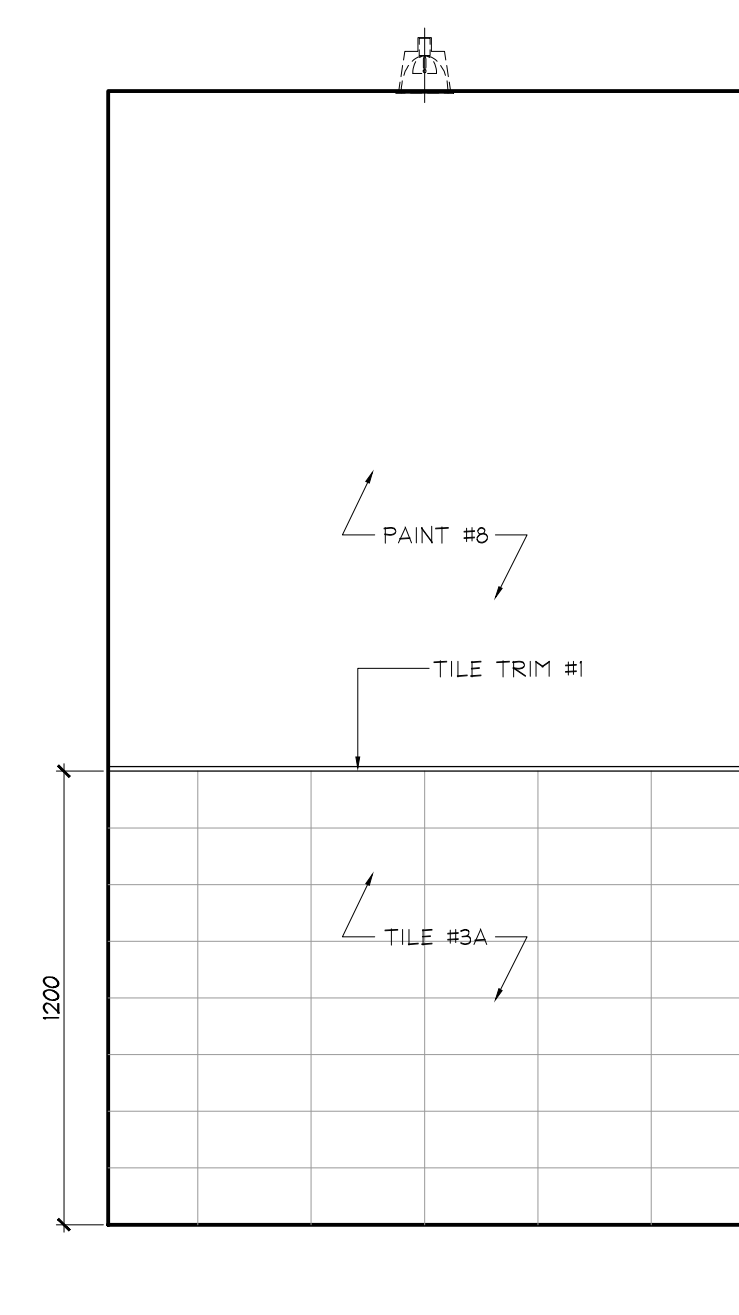
8 ELEVATION
GROUND FLOOR
WOMEN'S WASHROOM
SCALE 1:20



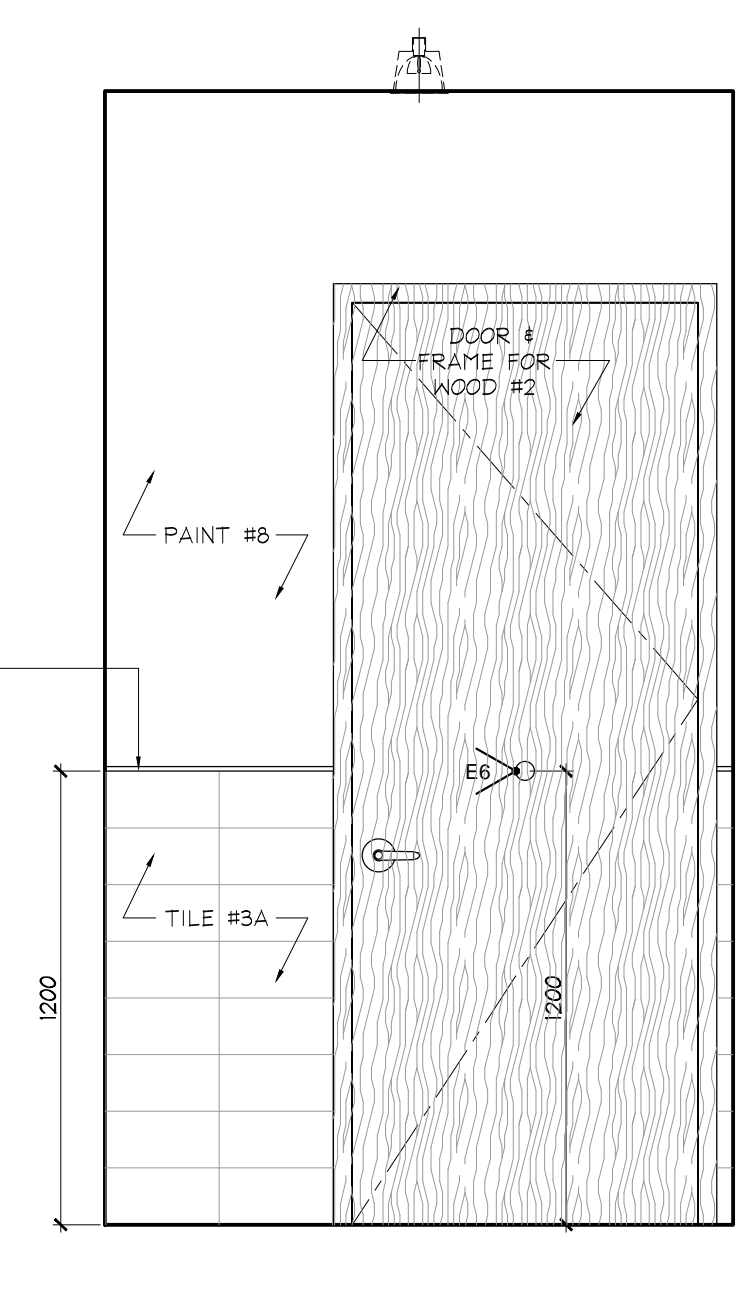
9 ELEVATION
GROUND FLOOR
WOMEN'S / MEN'S WASHROOM
SCALE 1:20



10 ELEVATION
GROUND FLOOR
WOMEN'S / MEN'S WASHROOM
SCALE 1:20



11 ELEVATION
GROUND FLOOR
WOMEN'S / MEN'S WASHROOM
SCALE 1:20



12 ELEVATION
GROUND FLOOR
WOMEN'S WASHROOM
SCALE 1:20

NO	DATE	COMMENTS	INI
09	16 JUNE / 15	ISSUED FOR FINISH CARPENTRY	CB
03	06 MAR / 15	ISSUED FOR TILE TENDER	AP
02	26 JAN / 15	ISSUED FOR TENDER	AP
01	22 AUG / 14	ISSUED FOR PERMIT	AP

UNION 31

UNION 31 INC.
183 BATHURST STREET, STE. 201
TORONTO, ON, M5T 2R7, CANADA
TEL: 416-597-1576 FAX: 416-597-2139

PROJECT NAME:
**ALEXANDRA PARK
MAIN BUILDING**
BLOCK 11
ON, Canada

PROJECT NO.:
13-949
DRAWINGS:
**GROUND FLOOR
ELEVATIONS**

DATE STARTED: 07 AUG / 13
SCALE: 1:20
DRAWN BY: AP
APPROVED BY: KC

1D
2.1.8