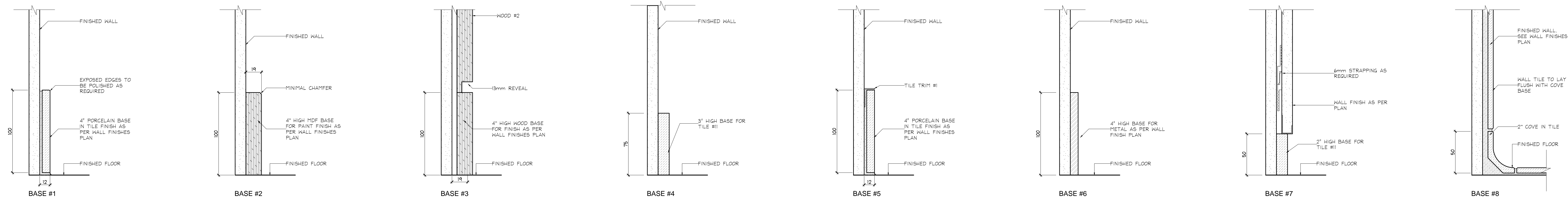


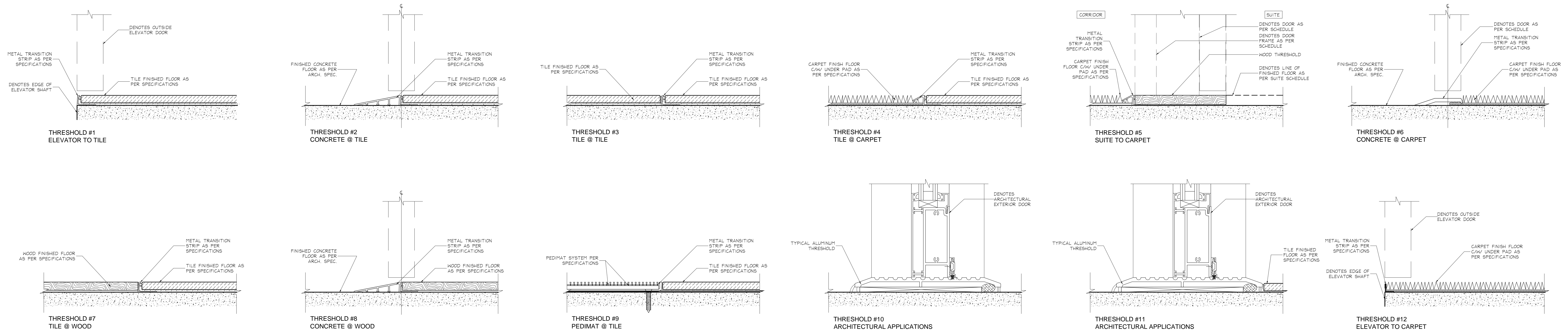
**DO NOT SCALE DRAWINGS.**

CONTRACTOR MUST VERIFY ALL DRAWINGS, DIMENSIONS, DETAILS AND SPECIFICATIONS, AND REPORT ANY DISCREPANCIES TO UNION 31 INC. BEFORE PROCEEDING WITH WORK. MATERIALS MAY NOT BE SUBSTITUTED WITHOUT WRITTEN APPROVAL FROM UNION 31 INC. ALL DRAWINGS AND SPECIFICATIONS ARE INSTRUMENTS OF SERVICE AND THE PROPERTY OF UNION 31 INC. WHICH MUST BE RETURNED AT THE COMPLETION OF THE WORK.

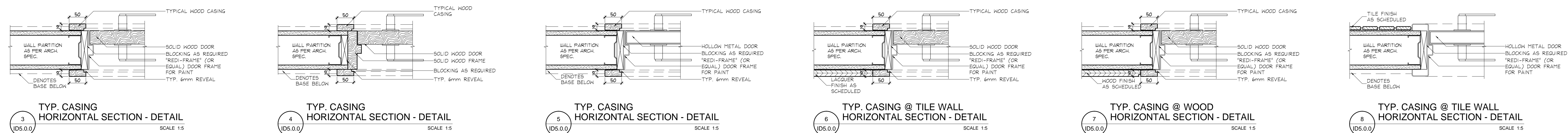
PRINTED 15-JUN-15



**1 BASE DETAILS**  
TYPICAL SCALE 1:2



**2 THRESHOLD DETAILS**  
TYPICAL SCALE 1:2



**3 TYP. CASING HORIZONTAL SECTION - DETAIL**  
SCALE 1:5

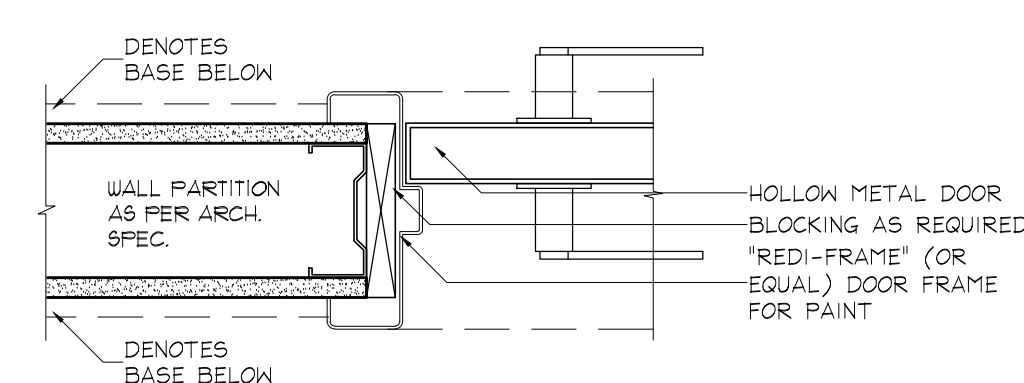
**4 TYP. CASING HORIZONTAL SECTION - DETAIL**  
SCALE 1:5

**5 TYP. CASING HORIZONTAL SECTION - DETAIL**  
SCALE 1:5

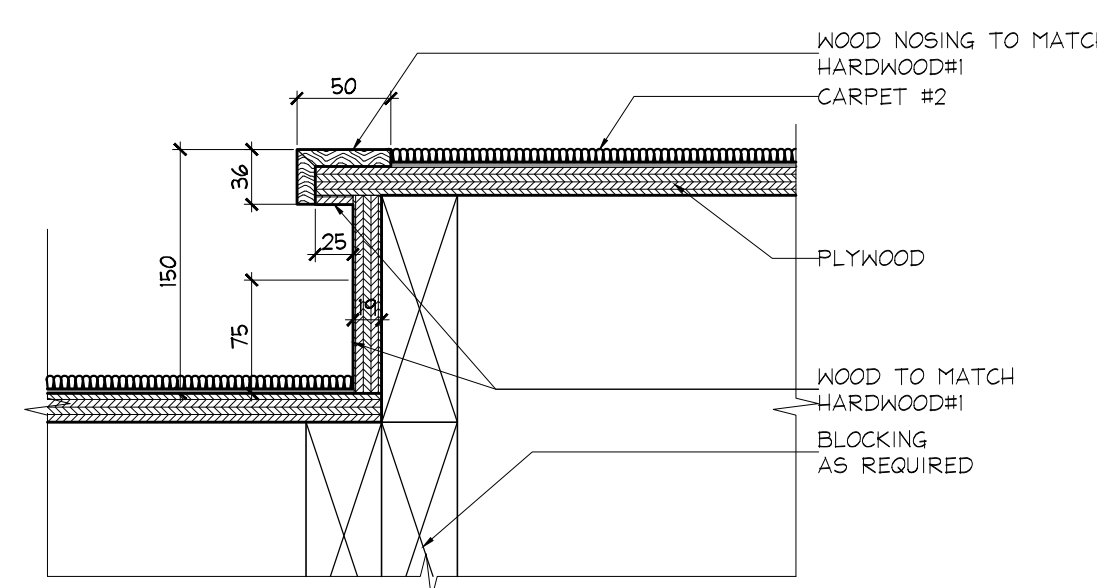
**6 TYP. CASING @ TILE WALL HORIZONTAL SECTION - DETAIL**  
SCALE 1:5

**7 TYP. CASING @ WOOD HORIZONTAL SECTION - DETAIL**  
SCALE 1:5

**8 TYP. CASING @ TILE WALL HORIZONTAL SECTION - DETAIL**  
SCALE 1:5



**9 TYP. CASING HORIZONTAL SECTION - DETAIL**  
SCALE 1:5



**10 SECTION - STEP AMENITY - THEATRE ROOM GROUND FLOOR**  
SCALE 1:5

NO.	DATE	COMMENTS	INI
09	16 JUN / 15	ISSUED FOR FINISH CARPENTRY	CB
03	08 MAR / 15	ISSUED FOR TILE TENDER	AP
02	26 JAN / 15	ISSUED FOR TENDER	AP

**UNION 31**

**UNION 31 INC.**  
183 BATHURST STREET, STE. 201  
TORONTO, ON, M5T 2R7, CANADA  
TEL: 416-597-1576 FAX: 416-597-2139

PROJECT NAME:  
**ALEXANDRA PARK MAIN BUILDING**  
BLOCK 11  
ON, Canada

PROJECT NO.:  
13-949

DRAWINGS:  
**TYPICAL DETAILS BASES, THRESHOLDS & CASINGS**

DATE STARTED: 07 AUG / 13	DRAWING NO.:
SCALE: AS NOTED	<b>ID</b>
DRAWN BY: GG	<b>5.0.0</b>
APPROVED BY: KC	