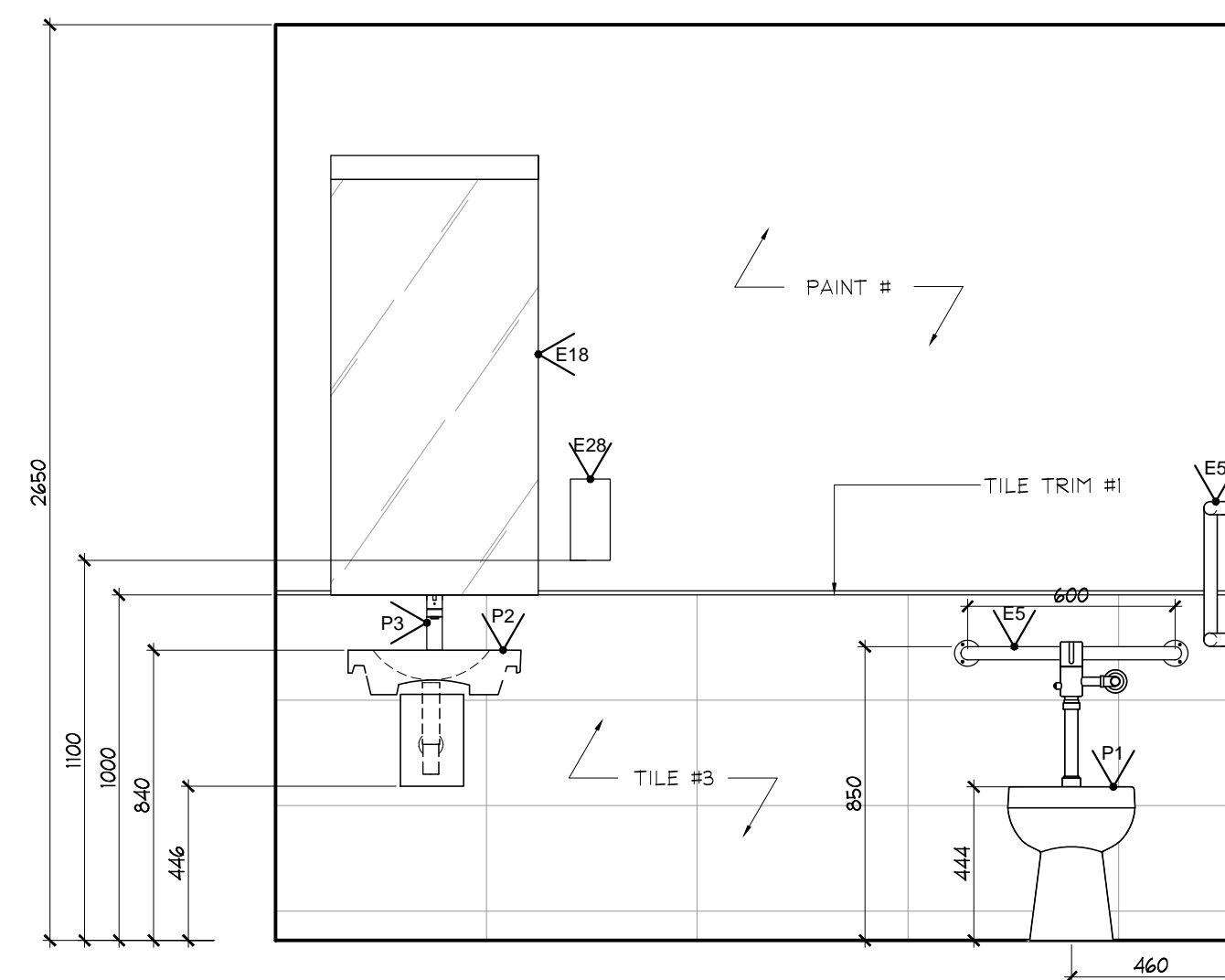


DO NOT SCALE DRAWINGS.

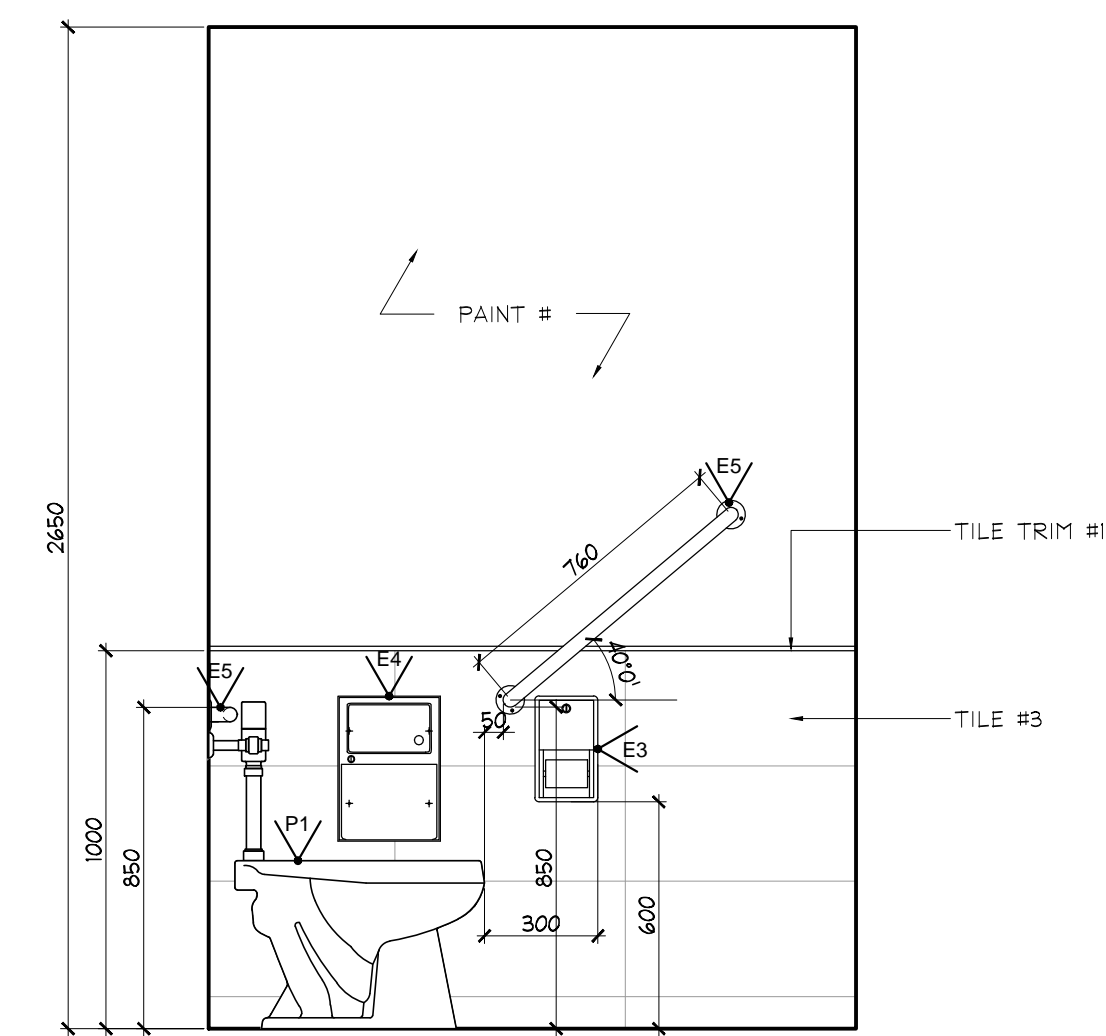
CONTRACTOR MUST VERIFY ALL DRAWINGS, DIMENSIONS, DETAILS AND SPECIFICATIONS, AND REPORT ANY DISCREPANCIES TO UNION 31 INC. BEFORE PROCEEDING WITH WORK. MATERIALS MAY NOT BE SUBSTITUTED WITHOUT WRITTEN APPROVAL FROM UNION 31 INC.
ALL DRAWINGS AND SPECIFICATIONS ARE INSTRUMENTS OF SERVICE AND THE PROPERTY OF UNION 31 INC. WHICH MUST BE RETURNED AT THE COMPLETION OF THE WORK.

PRINTED: 24-Aug-15

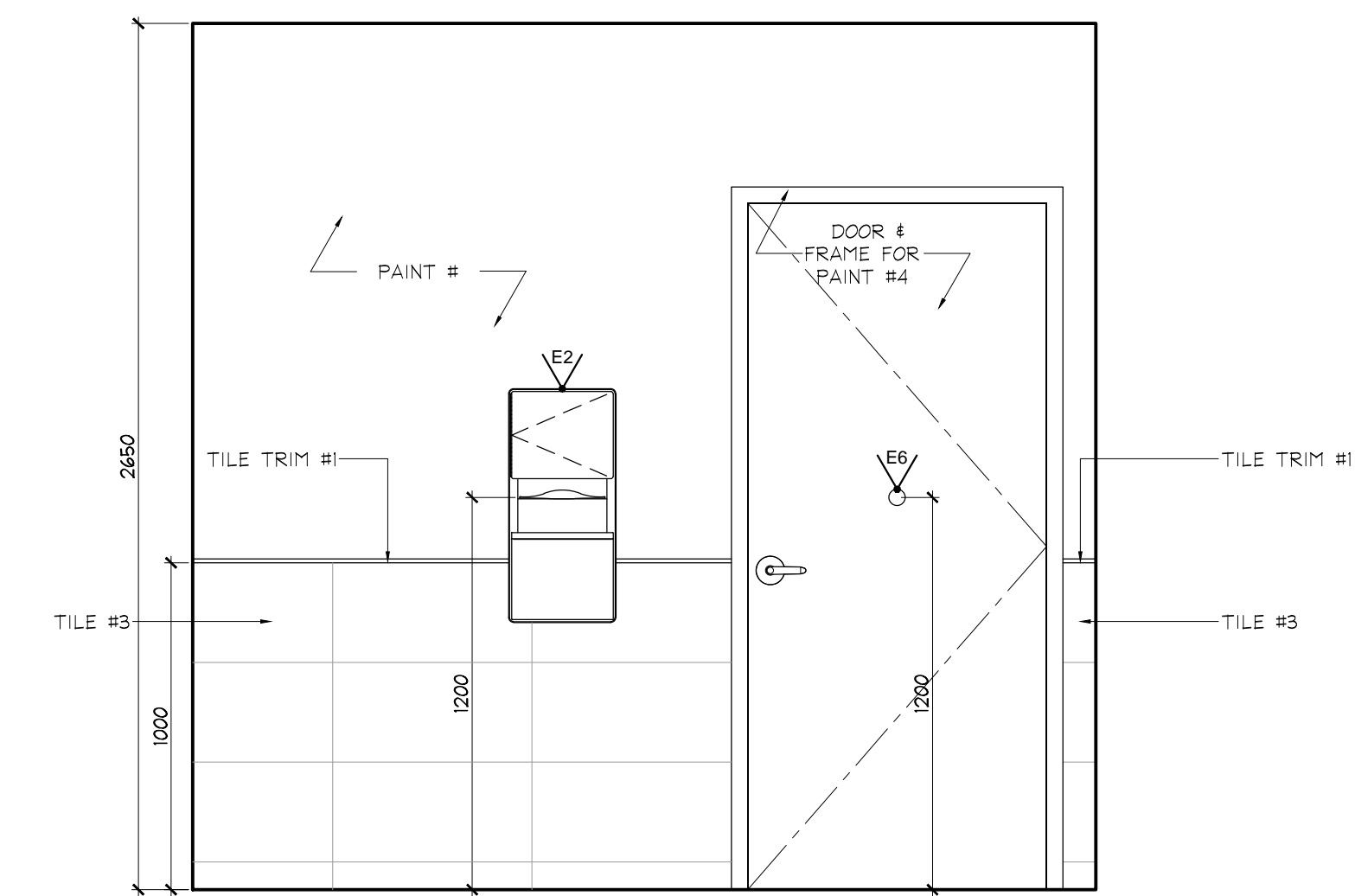
NOTE:
INSTALL ALL BARRIER FREE
HANDICAP COMPONENTS
ACCORDING TO CBC
REQUIREMENTS



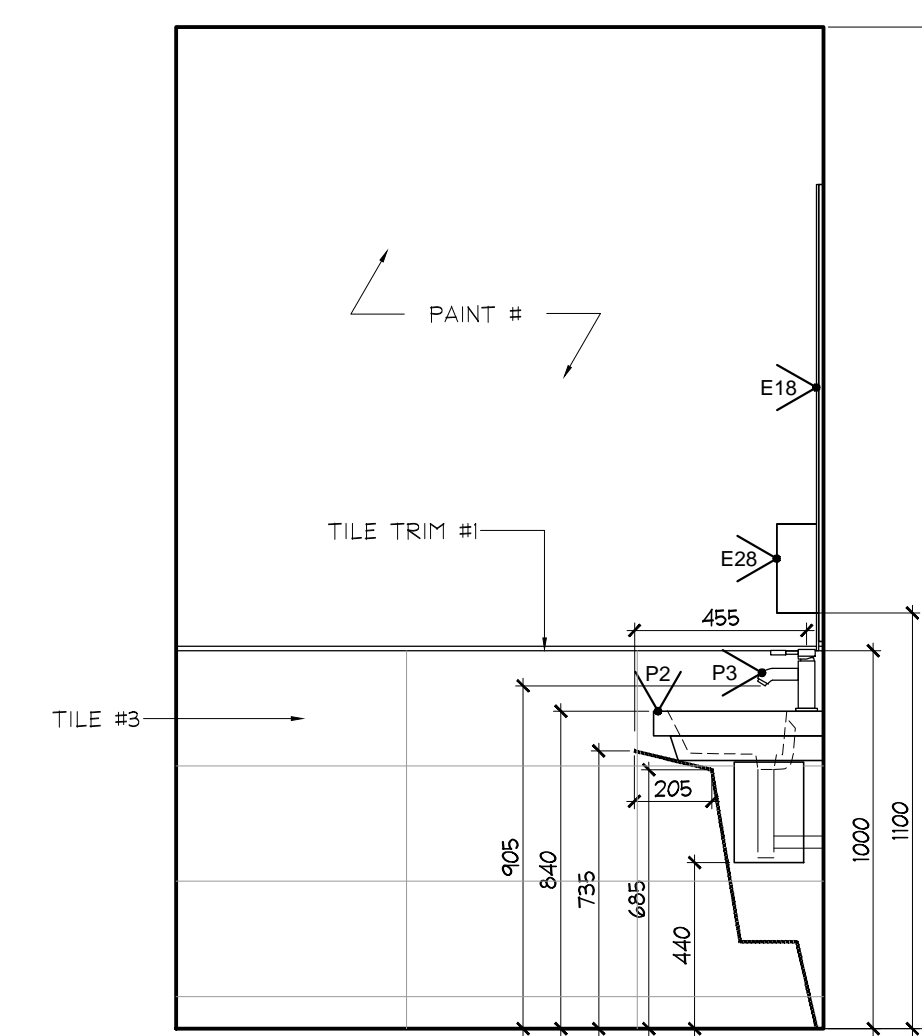
1 ELEVATION
102.2.0 9 TH FLOOR
AMENITY BATHROOM SCALE 1:20



2 ELEVATION
102.2.0 9 TH FLOOR
AMENITY SCALE 1:20



3 ELEVATION
102.2.0 9 TH FLOOR
AMENITY SCALE 1:20



4 ELEVATION
102.2.0 9 TH FLOOR
AMENITY SCALE 1:20

NO	DATE	ISSUED FOR PERMIT	COMMENTS	INI
13	24 AUG / 15	RE	ISSUED FOR DRYWALL TENDER	CB
11	20 AUG / 15	ISSUED FOR DRYWALL TENDER		CB
10	15 JULY / 15	ISSUED FOR TRIM CARPENTRY TENDER		CB
09	16 JUNE / 15	ISSUED FOR FINISH CARPENTRY		CB
03	06 MAR / 15	ISSUED FOR TILE TENDER		AP
02	26 JAN / 15	ISSUED FOR TENDER		AP
01	22 AUG / 14	ISSUED FOR PERMIT		AP

REVISIONS:

UNION 31
UNION31 INC.
183 BATHURST STREET, STE. 201
TORONTO, ON, M5T 2R7, CANADA
TEL: 416-597-1576 FAX: 416-597-2139

PROJECT NAME: ALEXANDRA PARK MAIN BUILDING	
BLOCK 11 ON, Canada	
PROJECT NO.:	13-949
DRAWING'S: 9 TH FLOOR ELEVATIONS	
DATE STARTED:	07 AUG / 13
SCALE:	1 : 20
DRAWN BY:	AP
APPROVED BY:	KC
DRAWING NO.:	ID 2.2.0