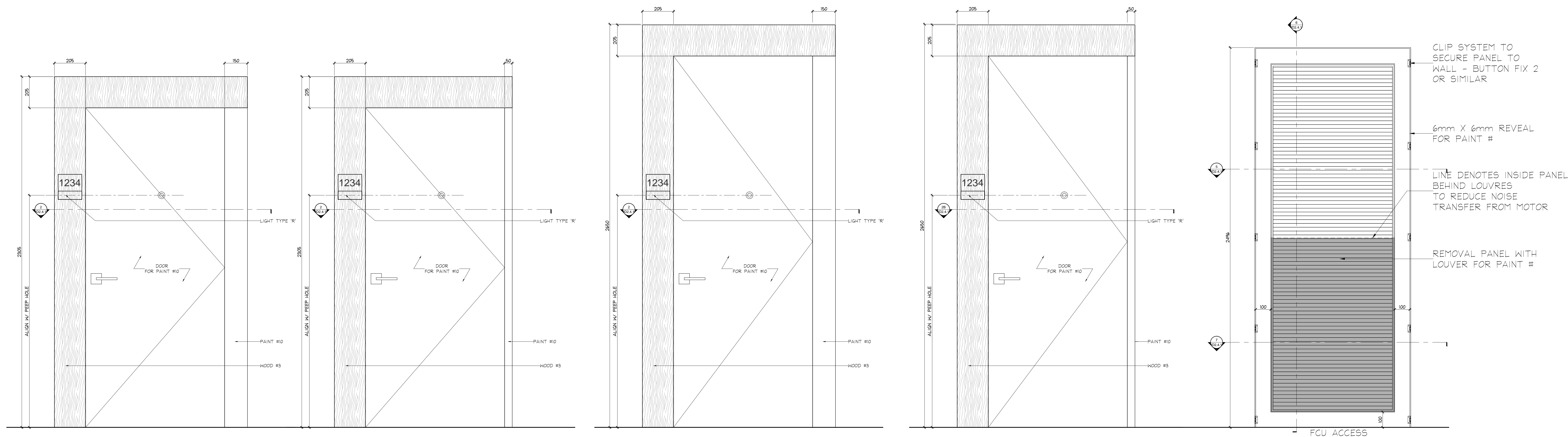


DO NOT SCALE DRAWINGS.

CONTRACTOR MUST VERIFY ALL DRAWINGS, DIMENSIONS, DETAILS AND SPECIFICATIONS, AND REPORT ANY DISCREPANCIES TO UNION 31 INC. BEFORE PROCEEDING WITH WORK. MATERIALS MAY NOT BE SUBSTITUTED WITHOUT WRITTEN APPROVAL FROM UNION 31 INC.
ALL DRAWINGS AND SPECIFICATIONS ARE INSTRUMENTS OF SERVICE AND THE PROPERTY OF UNION 31 INC. WHICH MUST BE RETURNED AT THE COMPLETION OF THE WORK.

PRINTED: 24-Aug-15



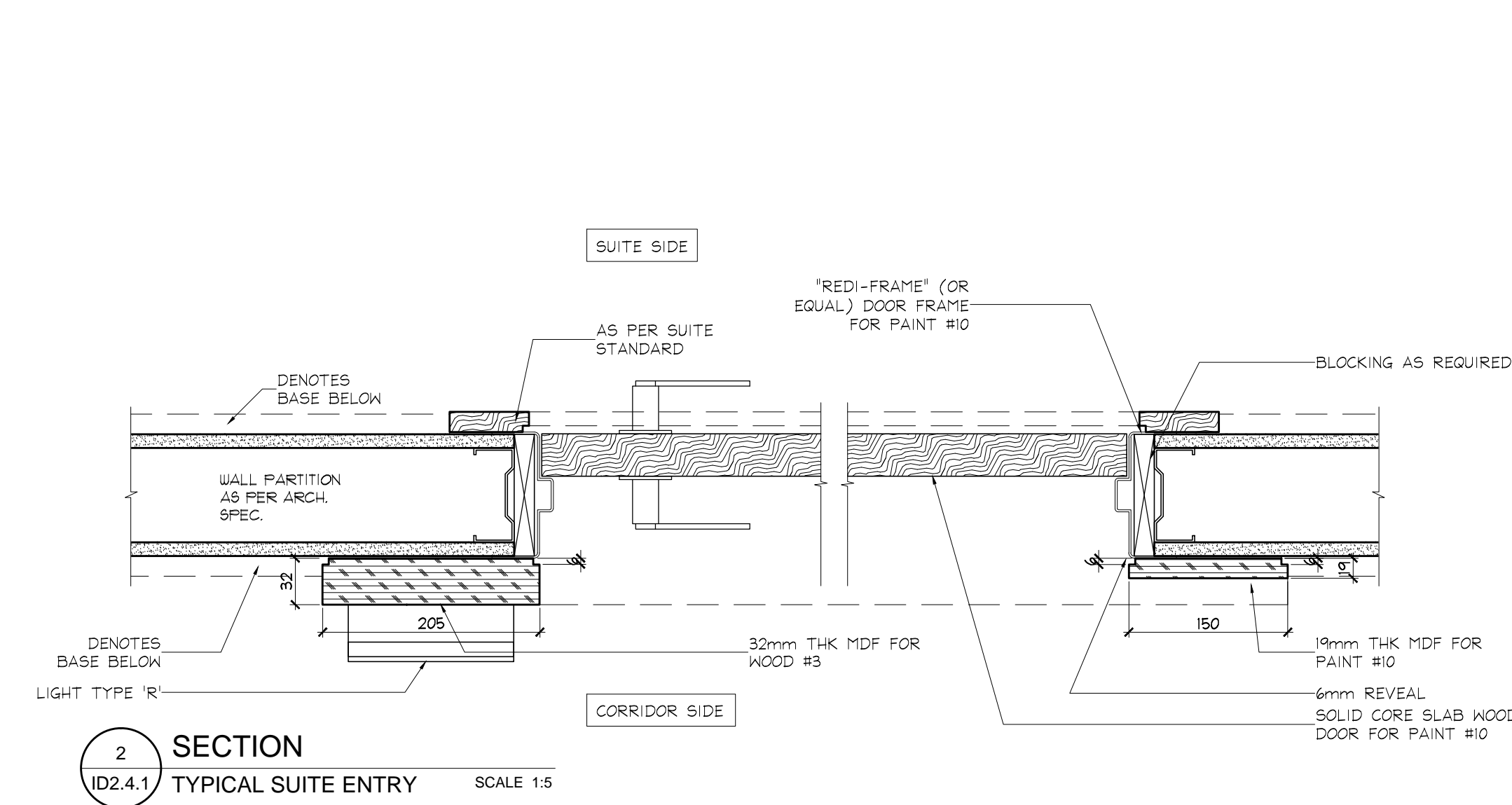
1 ELEVATION
1D2.4.1 TYPICAL SUITE ENTRY SCALE 1:10

1A ELEVATION
1D2.4.1 ATYPICAL SUITE ENTRY SCALE 1:10

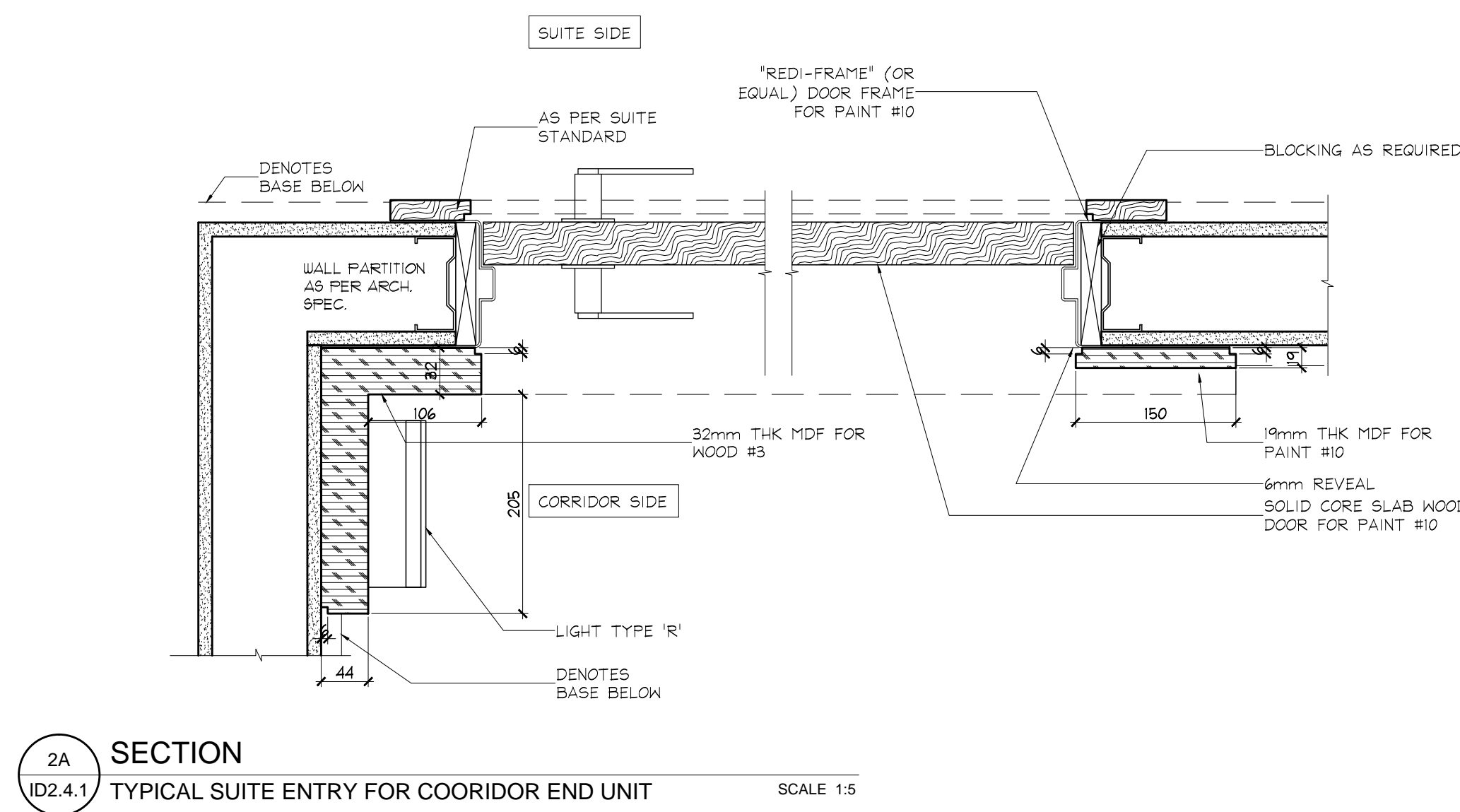
3 ELEVATION
1D2.4.1 TYPICAL SUITE ENTRY FOR 10'-0" CH SCALE 1:10

3A ELEVATION
1D2.4.1 ATYPICAL SUITE ENTRY FOR 10'-0" CH SCALE 1:10

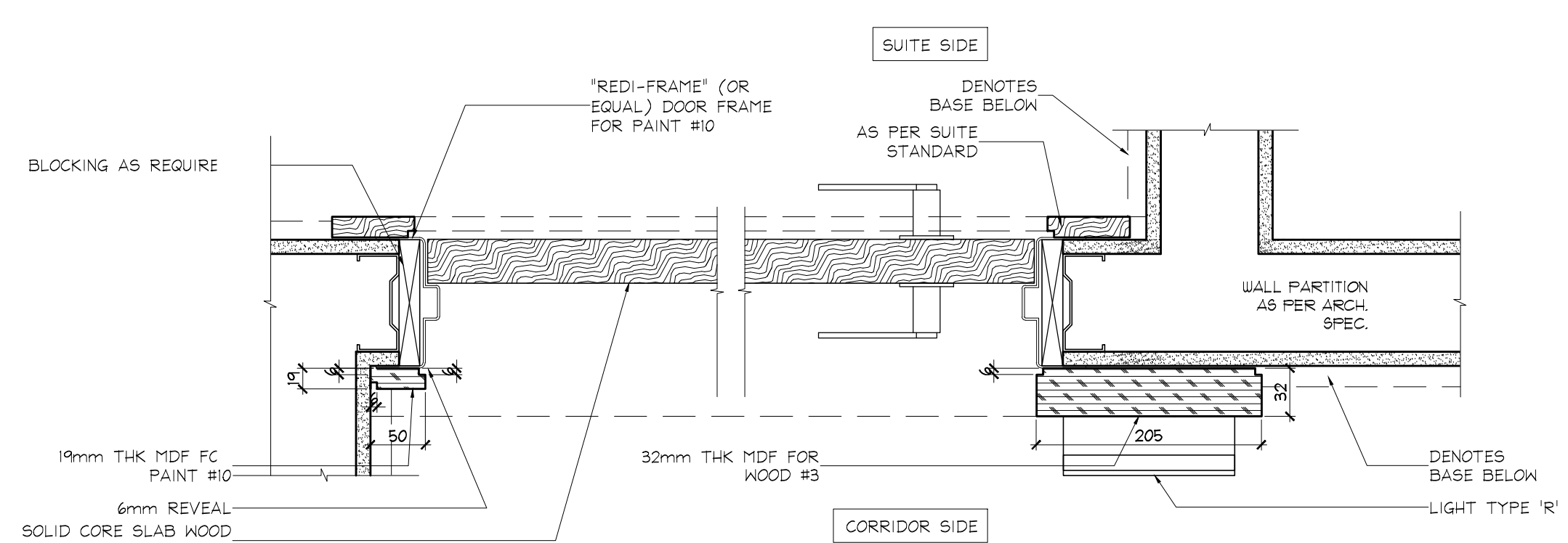
4 ELEVATION
1D2.4.1 FCU ACCESS REMOVABLE PANEL SCALE 1:10



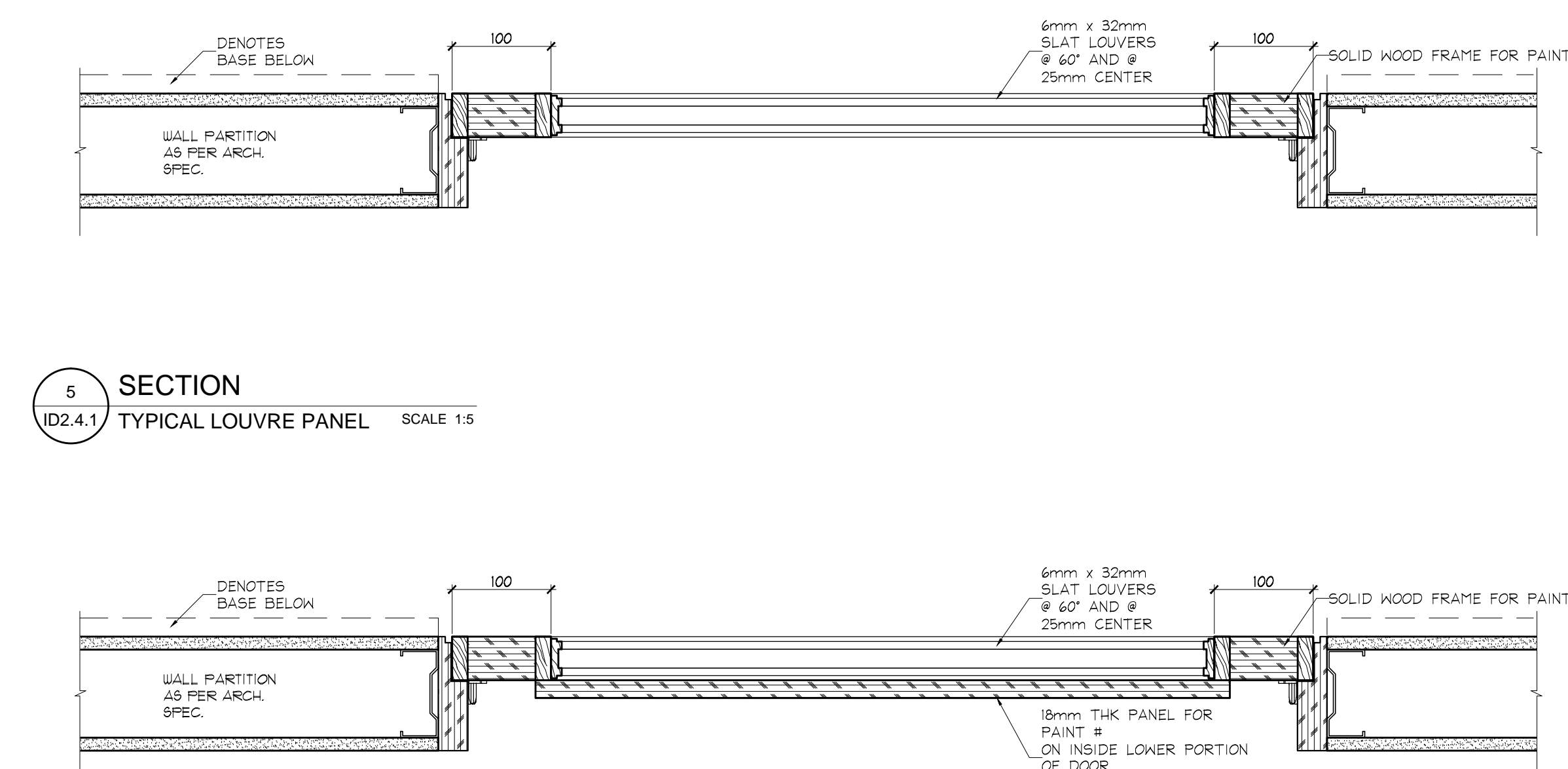
2 SECTION
1D2.4.1 TYPICAL SUITE ENTRY SCALE 1:5



3A SECTION
1D2.4.1 TYPICAL SUITE ENTRY FOR CORRIDOR END UNIT SCALE 1:5

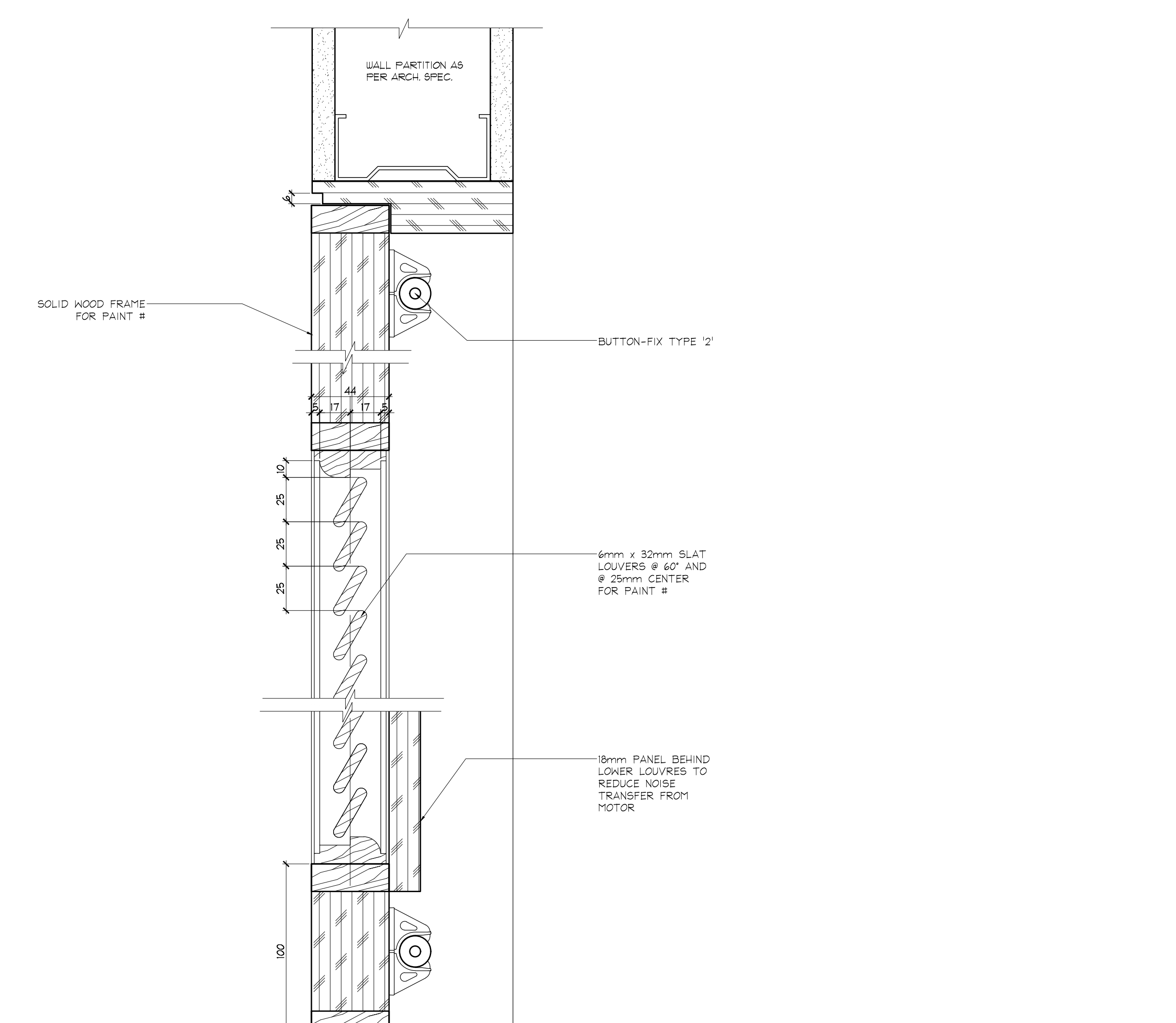


2B SECTION
1D2.4.1 SUITE ENTRY NOS.1019,1021,1119,1121 SCALE 1:5



5 SECTION
1D2.4.1 TYPICAL LOUVER PANEL SCALE 1:5

5 SECTION
1D2.4.1 TYPICAL LOUVER PANEL SCALE 1:5



6 SECTION
1D2.4.1 TYPICAL LOUVER DETAIL SCALE 1:2

NO	DATE	COMMENTS	INI
13	24 AUG / 15	RE ISSUED FOR DRYWALL TENDER	CB
12	21 AUG / 15	ISSUED FOR TRIM CARPENTRY ADNDM1	CB
11	30 AUG / 15	ISSUED FOR DRYWALL TENDER	CB
10	15 JULY / 15	ISSUED FOR TRIM CARPENTRY TENDER	CB
09	16 JUNE / 15	ISSUED FOR FINISH CARPENTRY	CB
03	08 MAR / 15	ISSUED FOR TILE TENDER	AP
02	28 JAN / 15	ISSUED FOR TENDER	AP

UNION 31
PROJECT NAME:
**ALEXANDRA PARK
MAIN BUILDING**
BLOCK 11
ON, Canada
PROJECT NO.: 13-949
DRAWINGS:
DOOR ELEVATIONS

DATE STARTED:	07 AUG / 13	DRAWING NO.:	ID
SCALE:	AS NOTED	DRAWN BY:	SM
APPROVED BY:	KC	DATE:	2.4.1