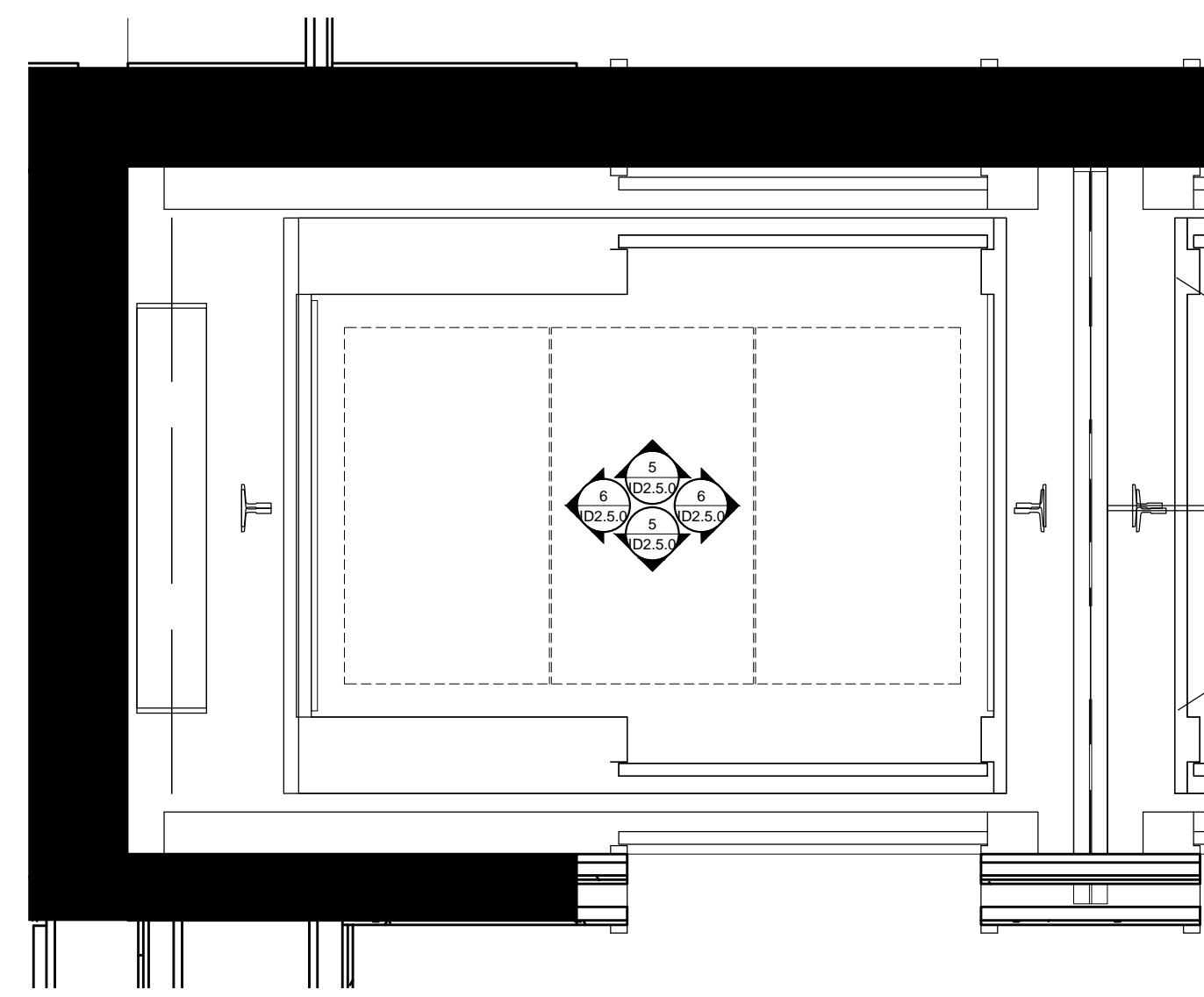


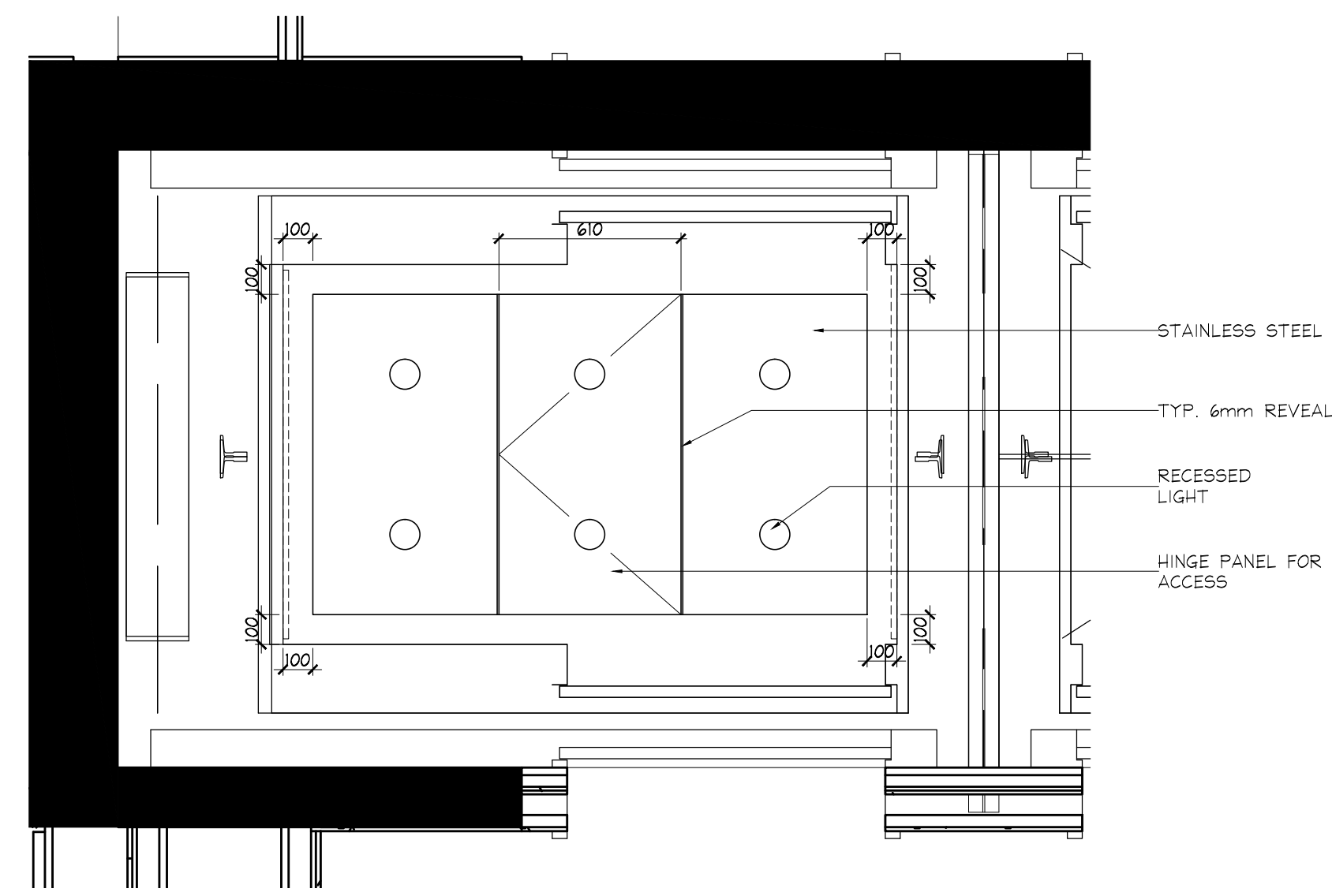
DO NOT SCALE DRAWINGS.

CONTRACTOR MUST VERIFY ALL DRAWINGS, DIMENSIONS, DETAILS AND SPECIFICATIONS, AND REPORT ANY DISCREPANCIES TO UNION 31 INC. BEFORE PROCEEDING WITH WORK. MATERIALS MAY NOT BE SUBSTITUTED WITHOUT WRITTEN APPROVAL FROM UNION 31 INC.
ALL DRAWINGS AND SPECIFICATIONS ARE INSTRUMENTS OF SERVICE AND THE PROPERTY OF UNION 31 INC. WHICH MUST BE RETURNED AT THE COMPLETION OF THE WORK.

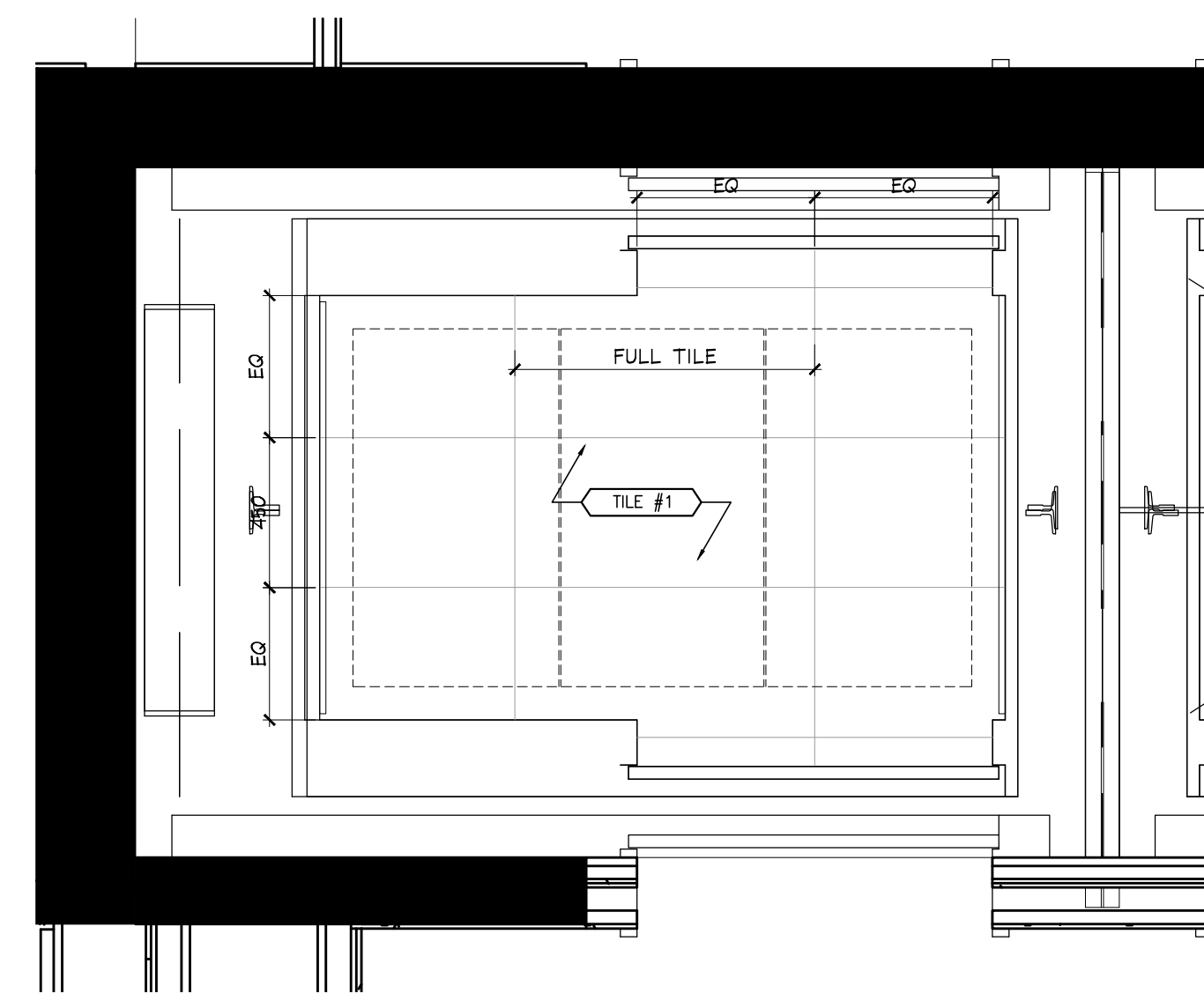
PRINTED: 24-Aug-15



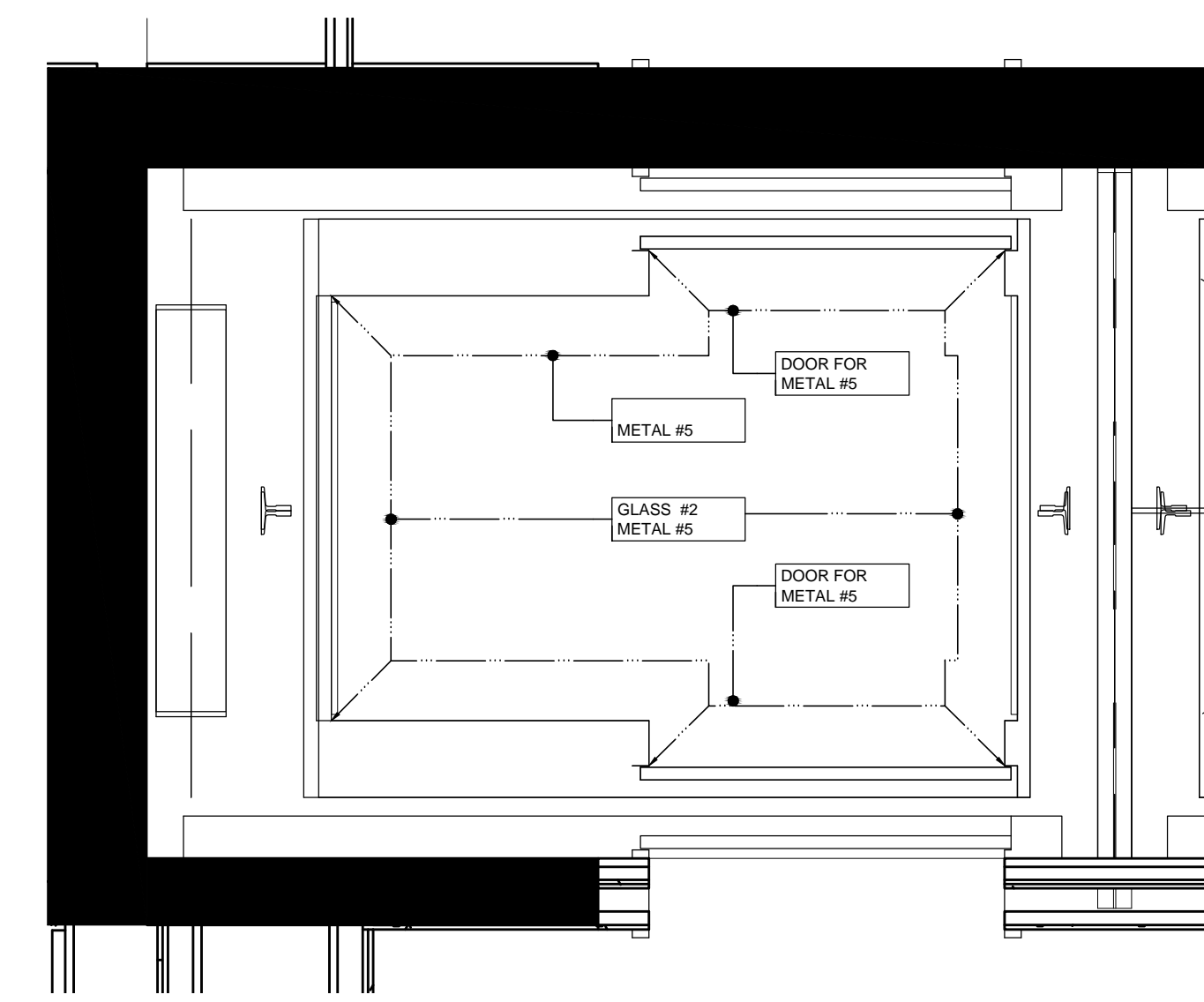
1
ID2.5.0
TYP. ELEVATOR CAB
CONSTRUCTION PLAN
SCALE 1:20



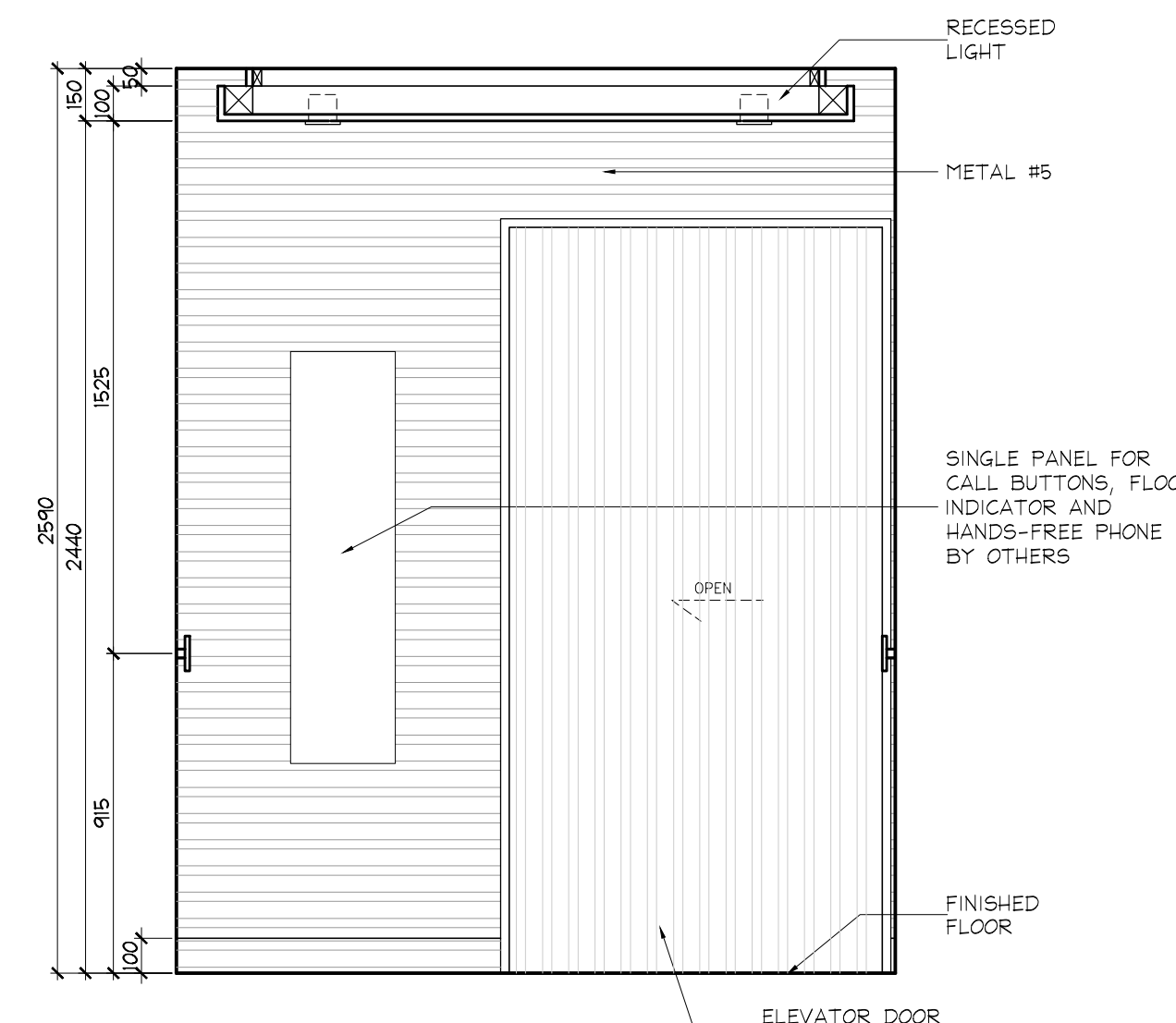
2
ID2.5.0
TYP. ELEVATOR CAB
REFLECTED CEILING PLAN
SCALE 1:20



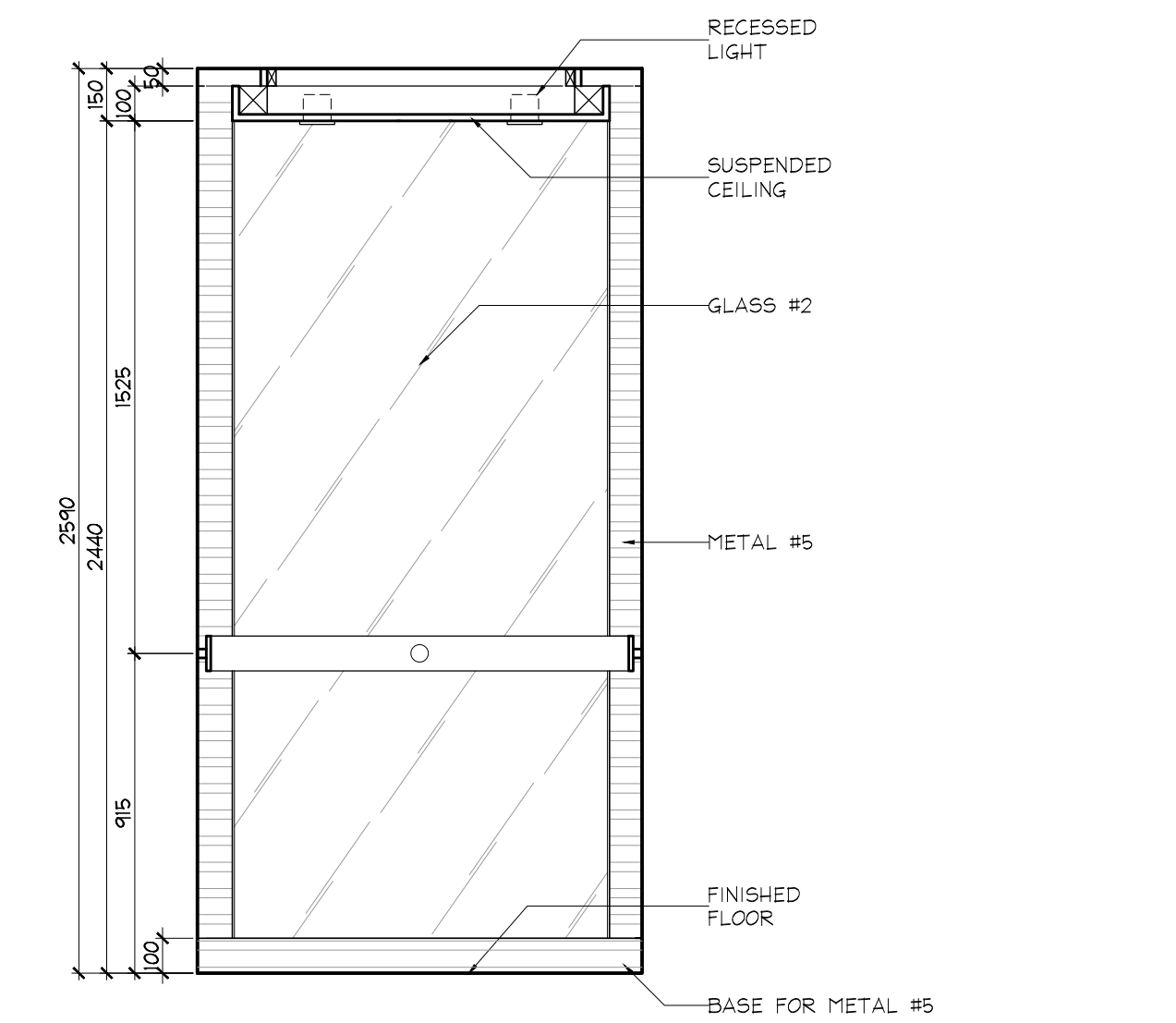
3
ID2.5.0
TYP. ELEVATOR CAB
FLOOR FINISHES PLAN
SCALE 1:20



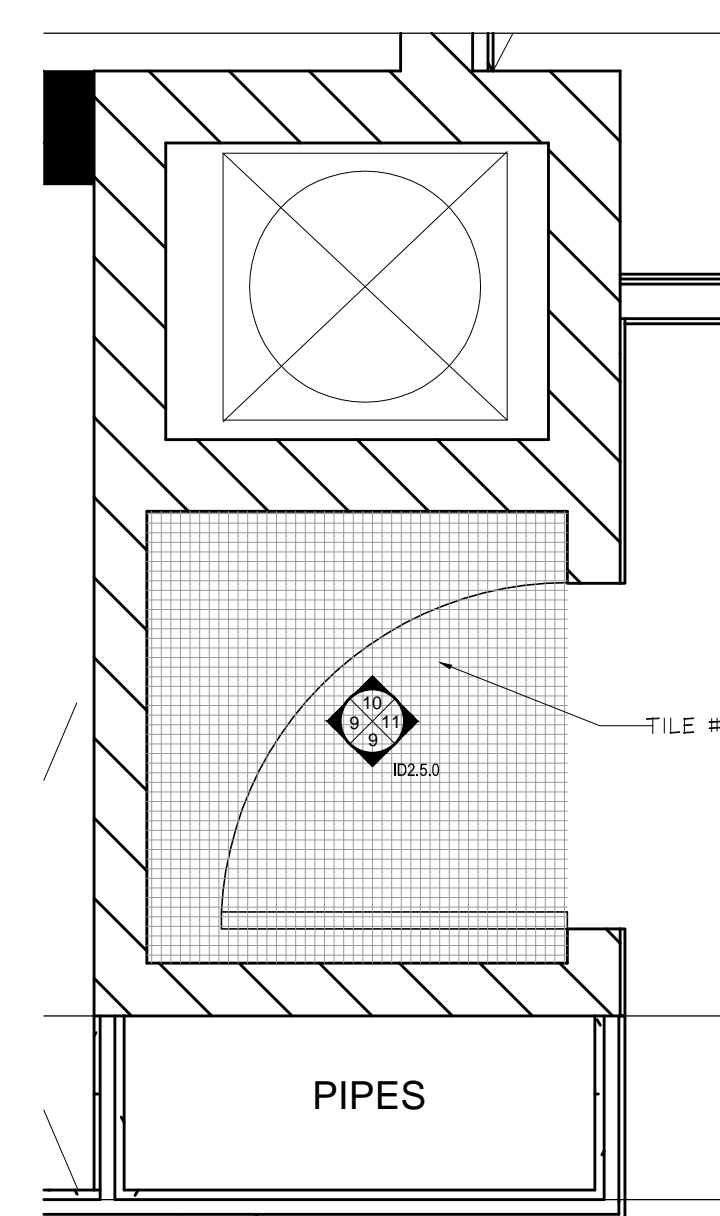
4
ID2.5.0
TYP. ELEVATOR CAB
WALL FINISHES PLAN
SCALE 1:20



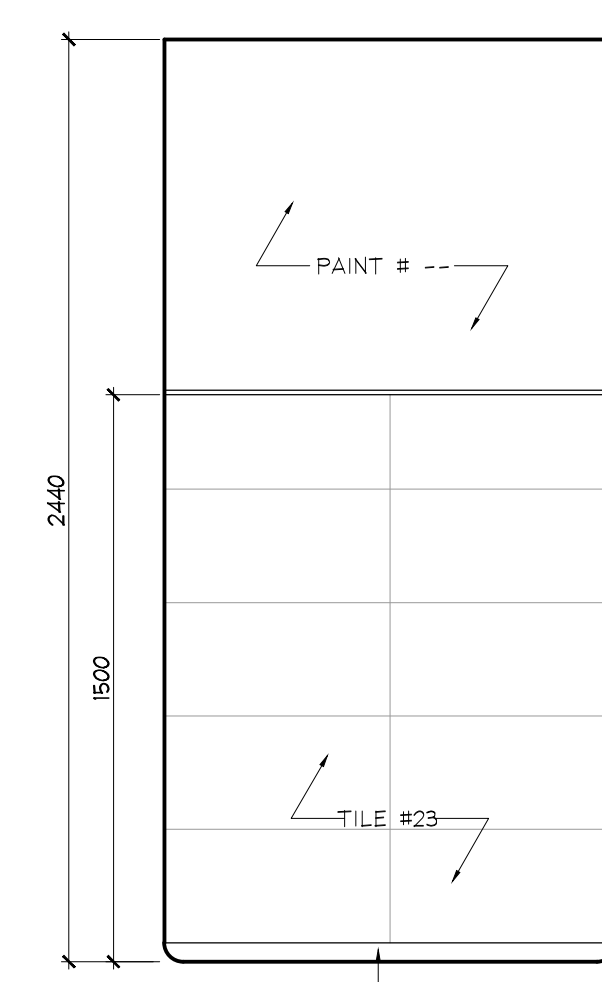
5
ID2.5.0
TYP. ELEVATOR CAB
ELEVATION
SCALE 1:20



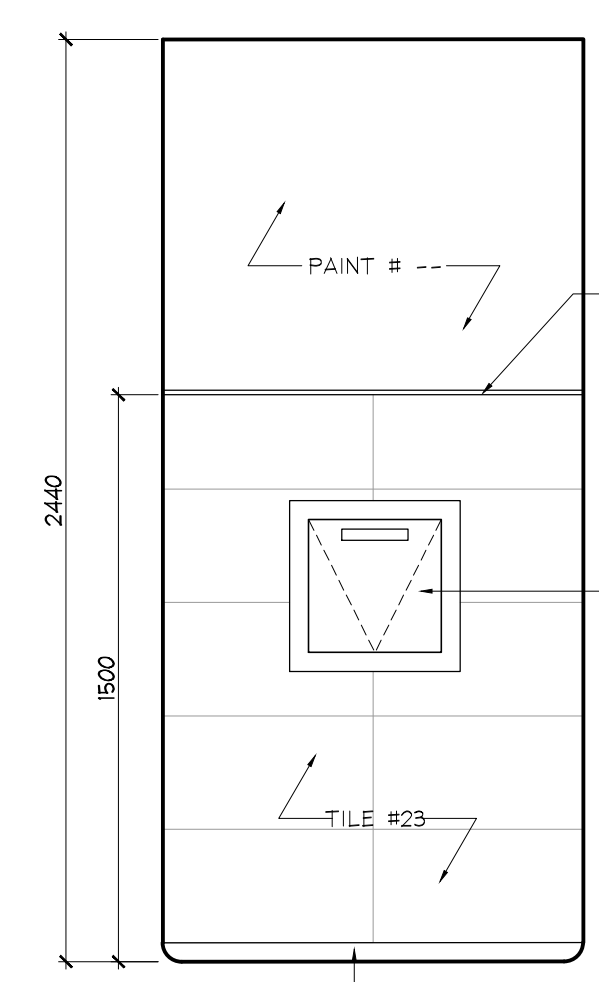
6
ID2.5.0
TYP. ELEVATOR CAB
ELEVATION
SCALE 1:20



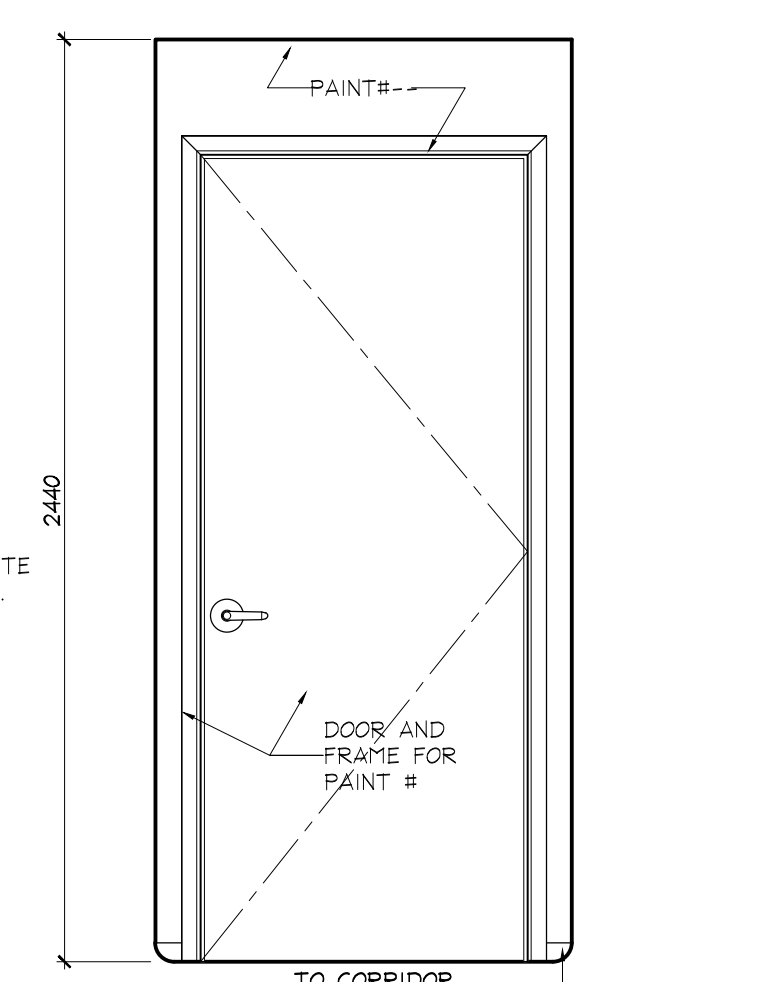
8
ID2.5.0
PLAN
GARBAGE CHUTE
SCALE 1:20



9
ID2.5.0
ELEVATION
GARBAGE CHUTE
SCALE 1:20



10
ID2.5.0
ELEVATION
GARBAGE CHUTE
SCALE 1:20



11
ID2.5.0
ELEVATION
GARBAGE CHUTE
SCALE 1:20

| NO | DATE | COMMENTS | INI |
|----|--------------|----------------------------------|-----|
| 13 | 24 AUG / 15 | RE- ISSUED FOR DRYWALL TENDER | CB |
| 11 | 20 AUG / 15 | ISSUED FOR DRYWALL TENDER | CB |
| 10 | 15 JULY / 15 | ISSUED FOR TRIM CARPENTRY TENDER | CB |
| 09 | 16 JUNE / 15 | ISSUED FOR FINISH CARPENTRY | CB |
| 05 | 13 MAY / 15 | ADDENDUM #2 | CB |
| 03 | 08 MAR / 15 | ISSUED FOR TILE TENDER | AP |
| | | | |

UNION 31

UNION31 INC.
183 BATHURST STREET, STE. 201
TORONTO, ON, M5T 2R7, CANADA
TEL: 416-597-1576 FAX: 416-597-2139

PROJECT NAME:
**ALEXANDRA PARK
MAIN BUILDING**
BLOCK 11
ON, Canada

PROJECT NO.: 13-949

DRAWINGS:
ELEVATOR CAB & GARBAGE CHUTE
PLANS, ELEVATIONS & DETAILS

DATE STARTED: 07 AUG / 13
SCALE: 1:20
DRAWN BY: AP
APPROVED BY: KC

DRAWING NO.:
**ID
2.5.0**