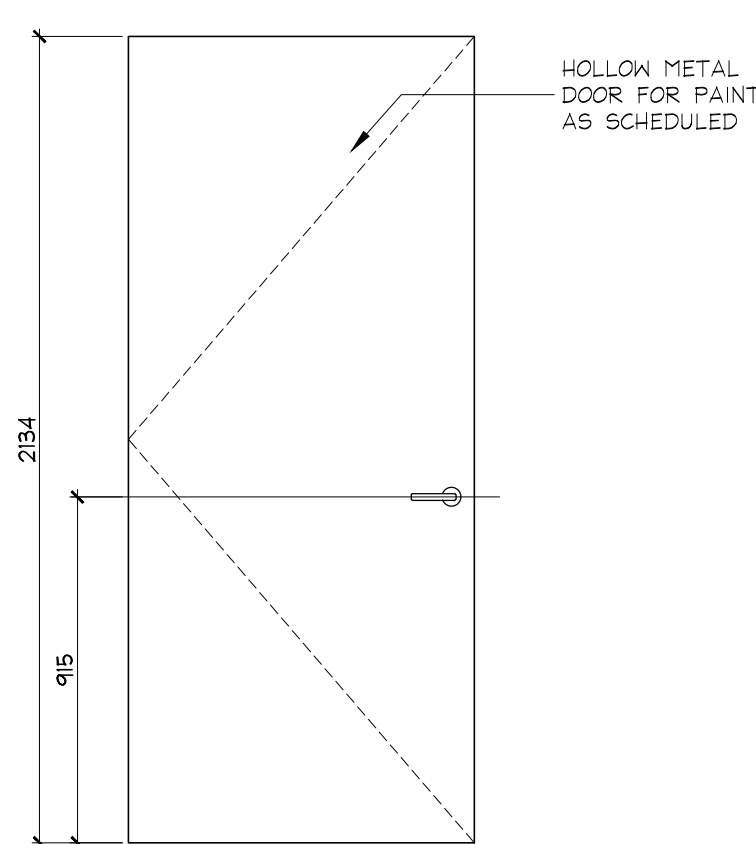


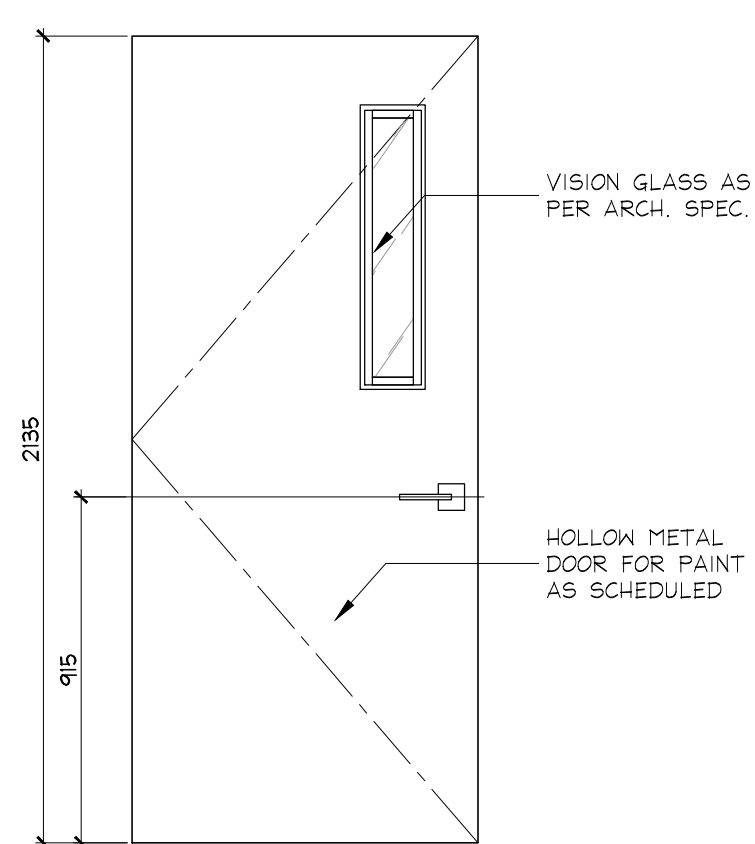
DO NOT SCALE DRAWINGS.

CONTRACTOR MUST VERIFY ALL DRAWINGS, DIMENSIONS, DETAILS AND SPECIFICATIONS. AND REPORT ANY DISCREPANCIES TO UNION 31 INC. BEFORE PROCEEDING WITH WORK. MATERIALS MAY NOT BE SUBSTITUTED WITHOUT WRITTEN APPROVAL FROM UNION 31 INC.
ALL DRAWINGS AND SPECIFICATIONS ARE INSTRUMENTS OF SERVICE AND THE PROPERTY OF UNION 31 INC. WHICH MUST BE RETURNED AT THE COMPLETION OF THE WORK.

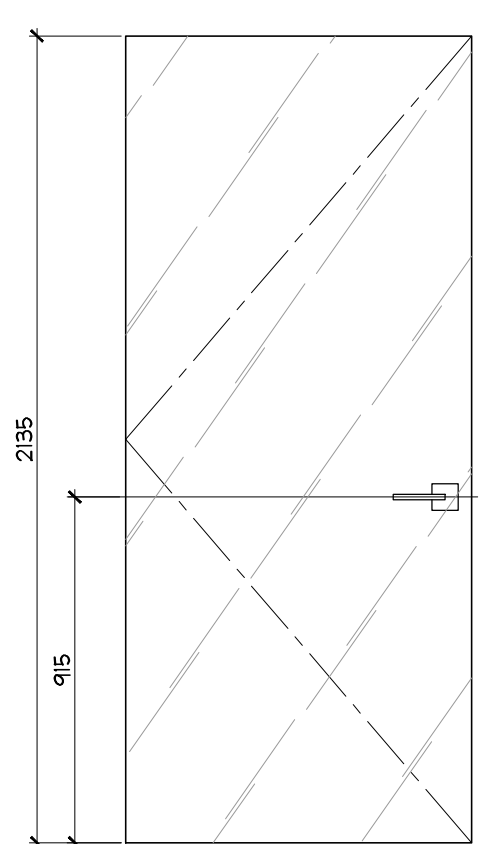
PRINTED: 20-Jan-16



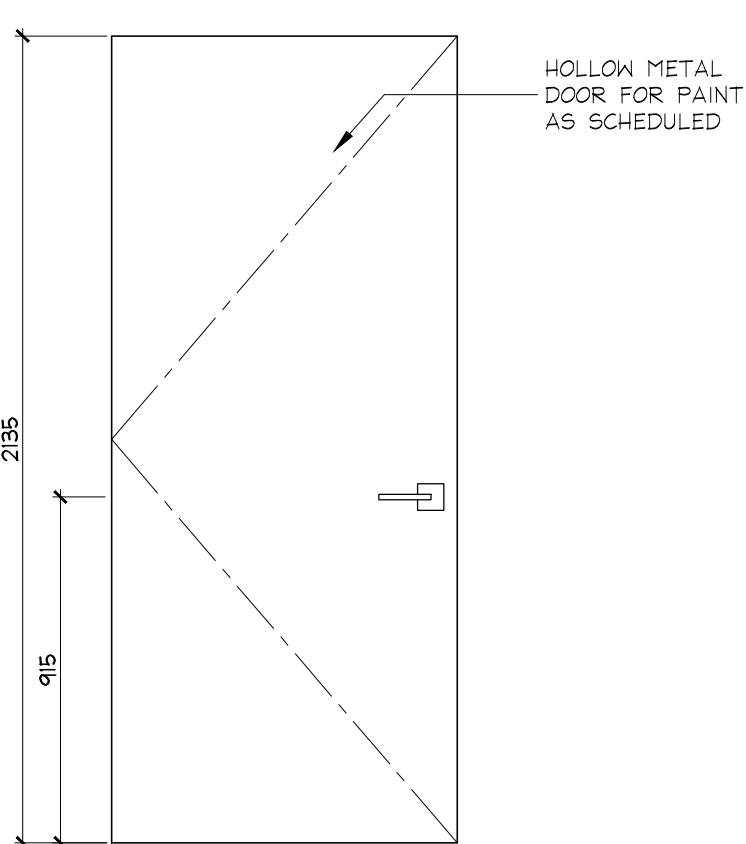
TYPICAL TYPE "TYP.1" LOCKER DOORS



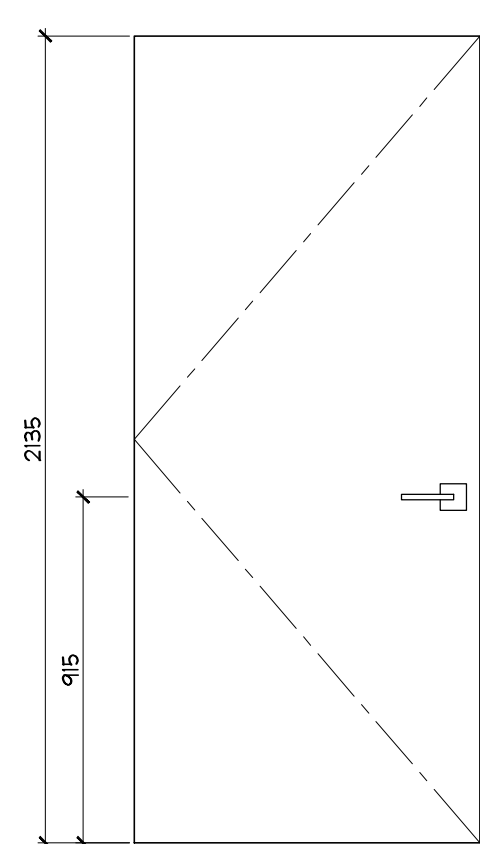
TYP. EXIT STAIR DOORS "TYP.2"



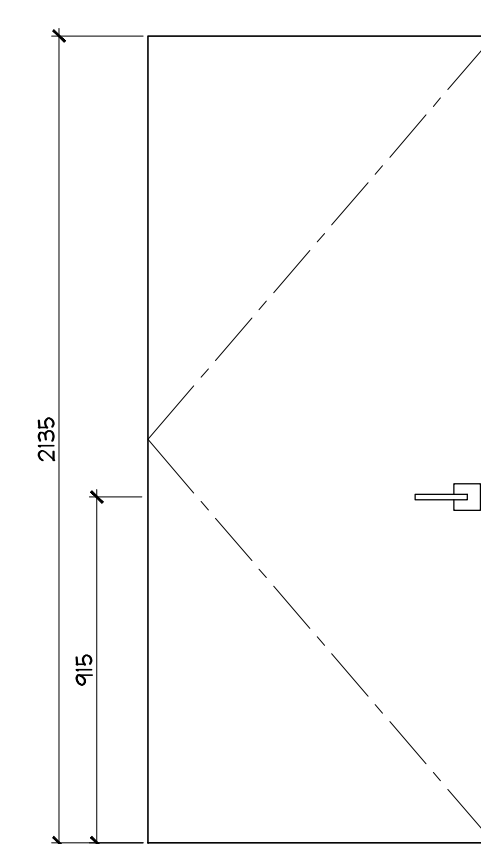
PARKING LEVEL 2 DOORS P201.1, P201.X, P201.3



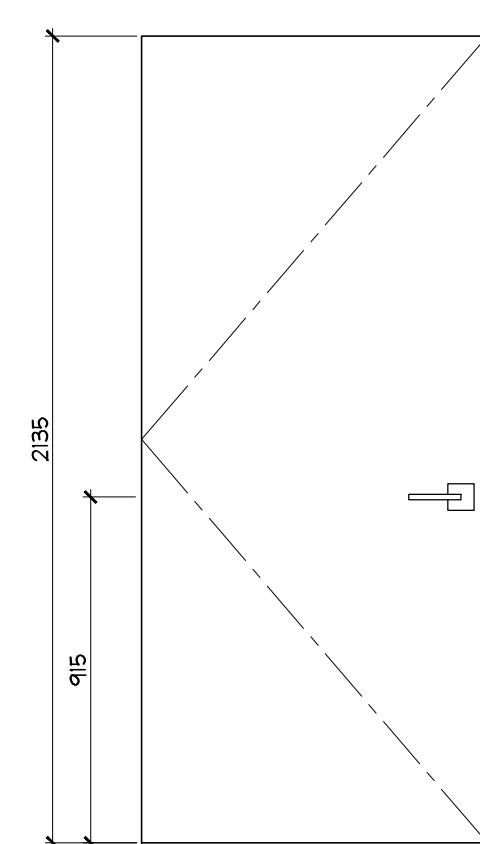
PARKING LEVEL 2 DOOR P201.2



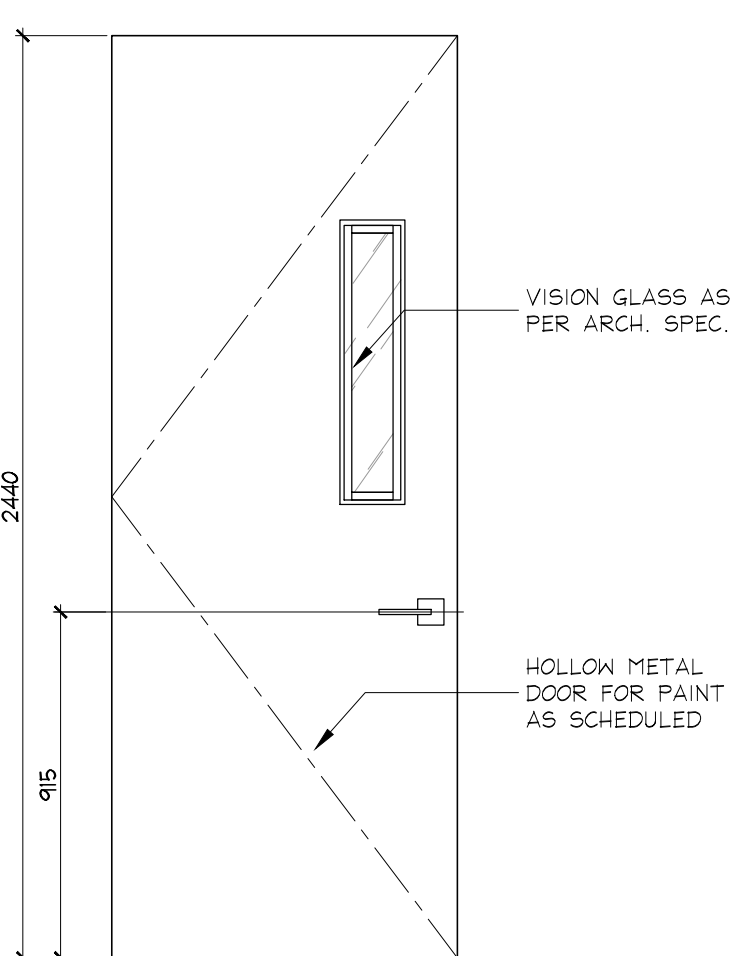
PARKING LEVEL 1 DOORS P110.1, P101



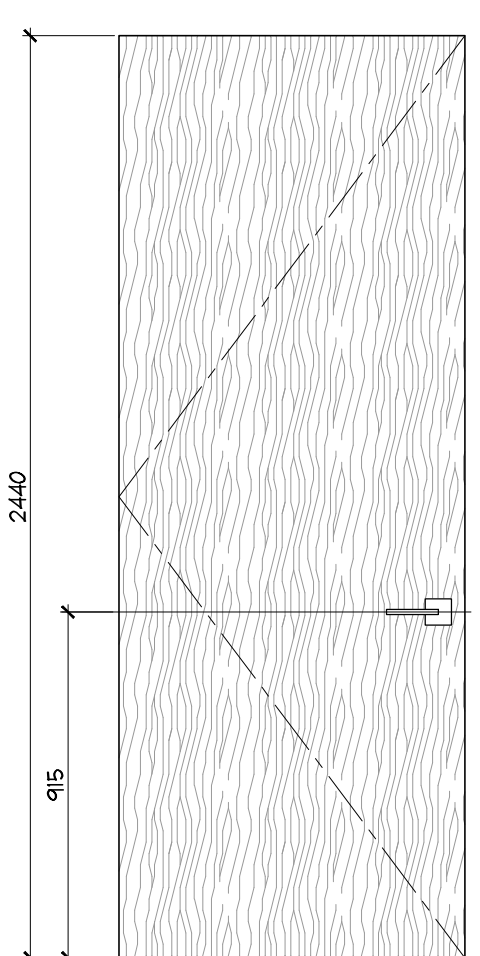
PARKING LEVEL 1 DOORS P110.1, P130



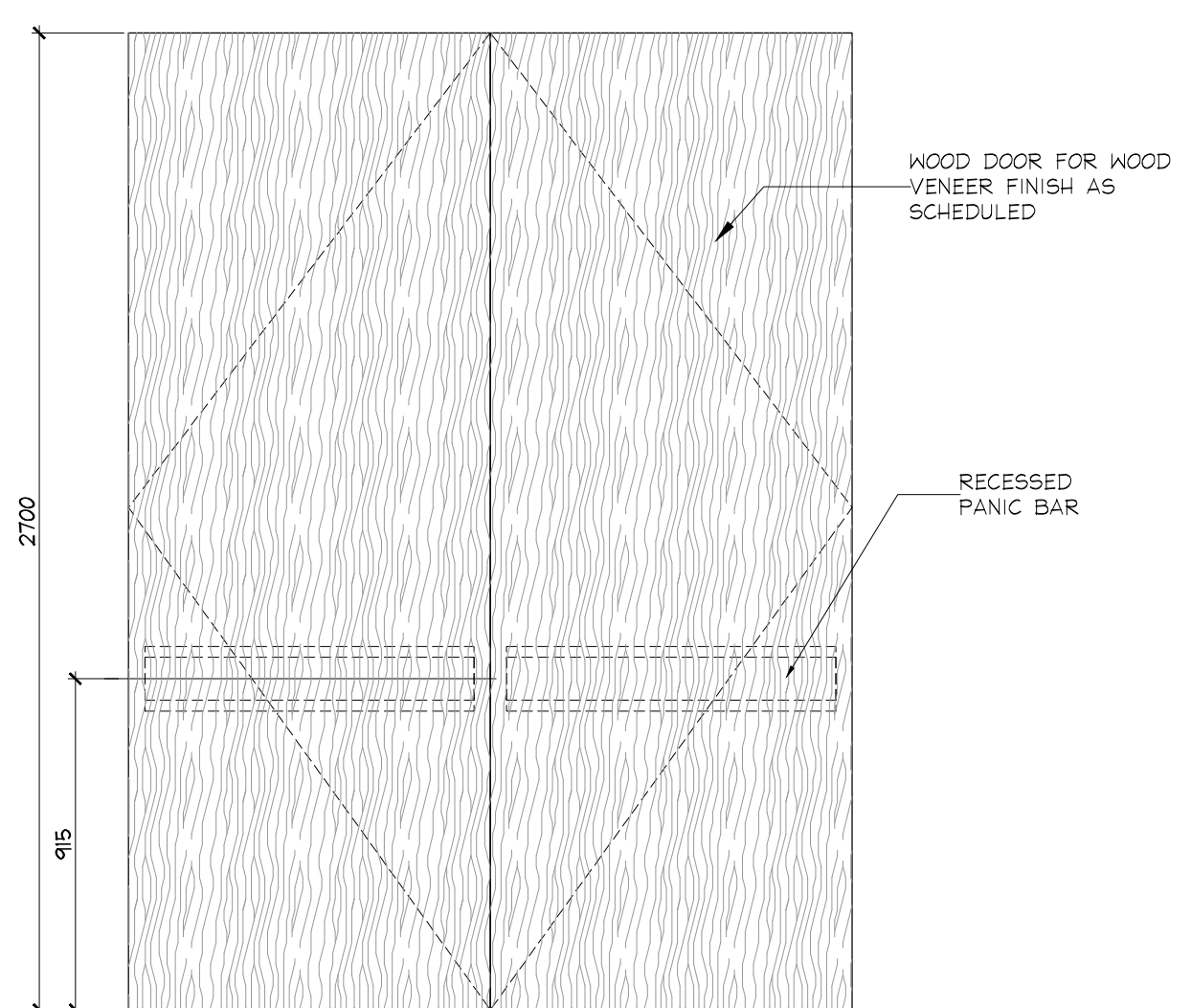
PARKING LEVEL 1 DOOR P117



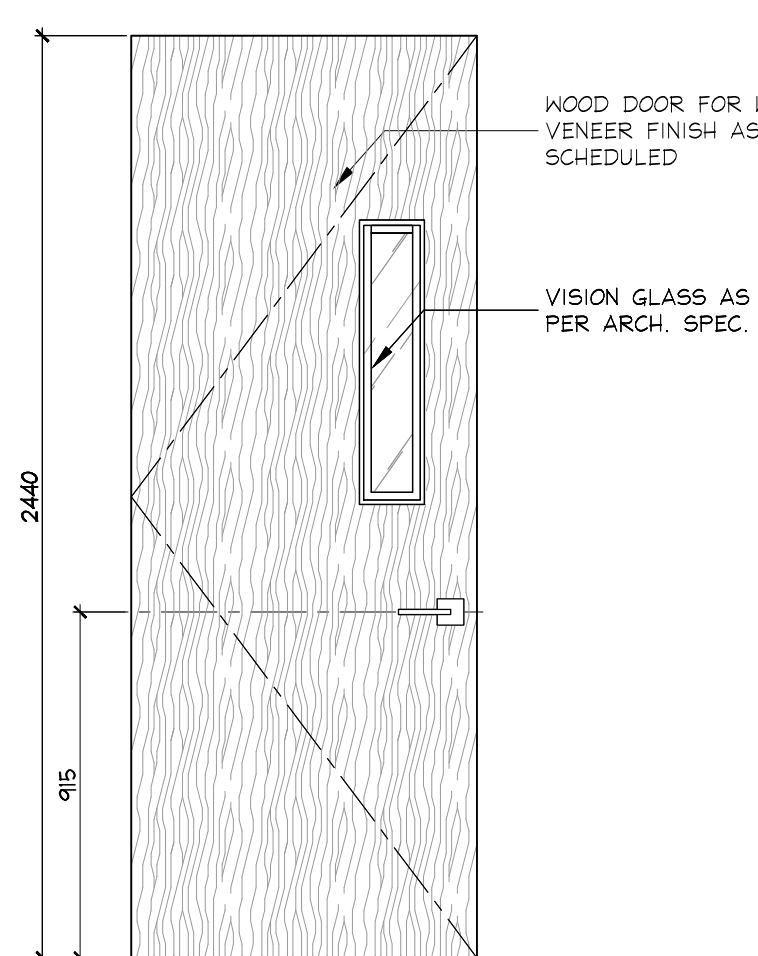
GROUND FLOOR DOOR 145.2



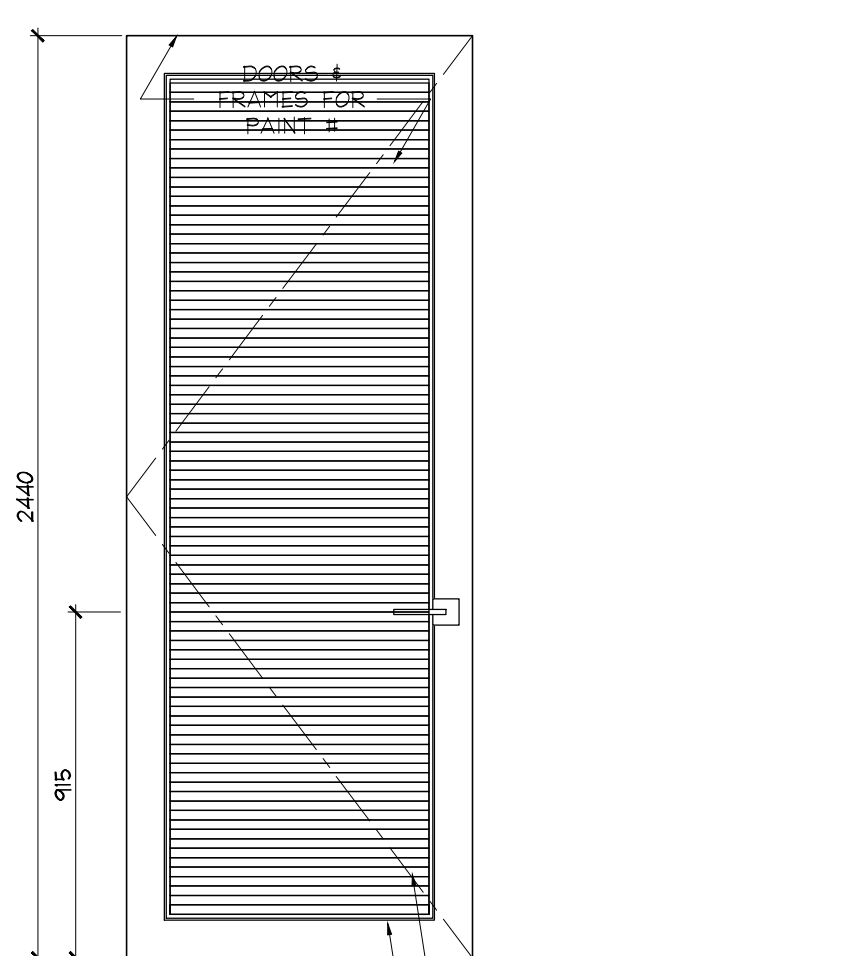
GROUND FLOOR DOOR 138 MAIL SORTING



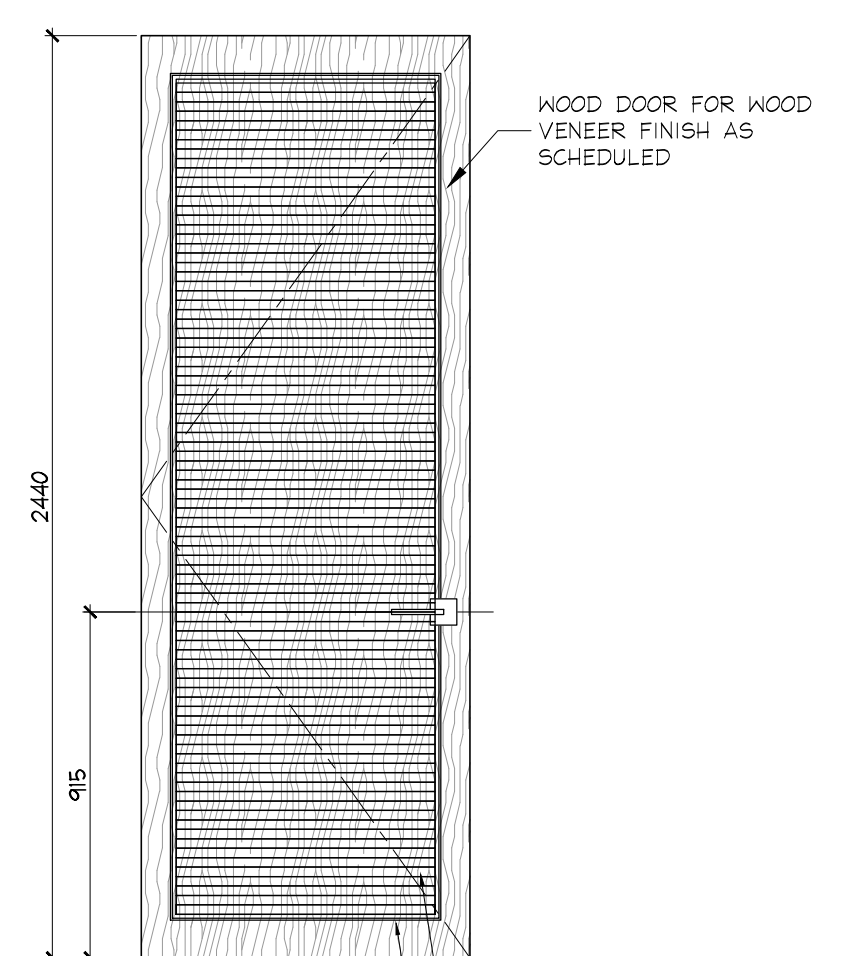
GROUND FLOOR DOOR 140 ELEVATOR LOBBY



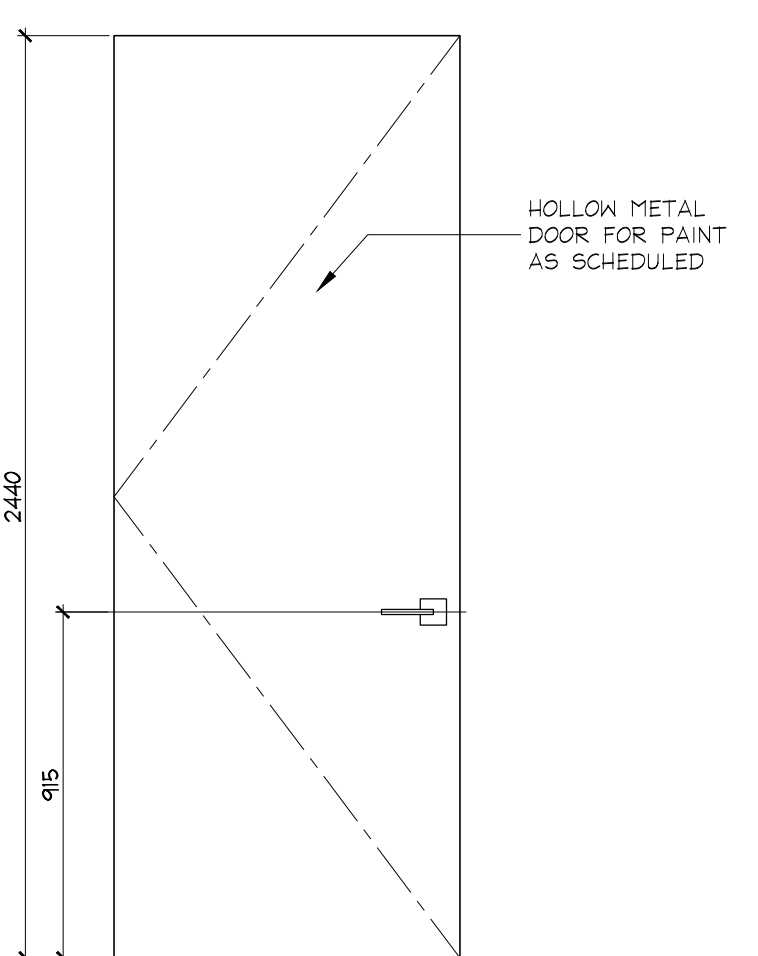
GROUND FLOOR DOOR 140.2 CORRIDOR B TO LOBBY



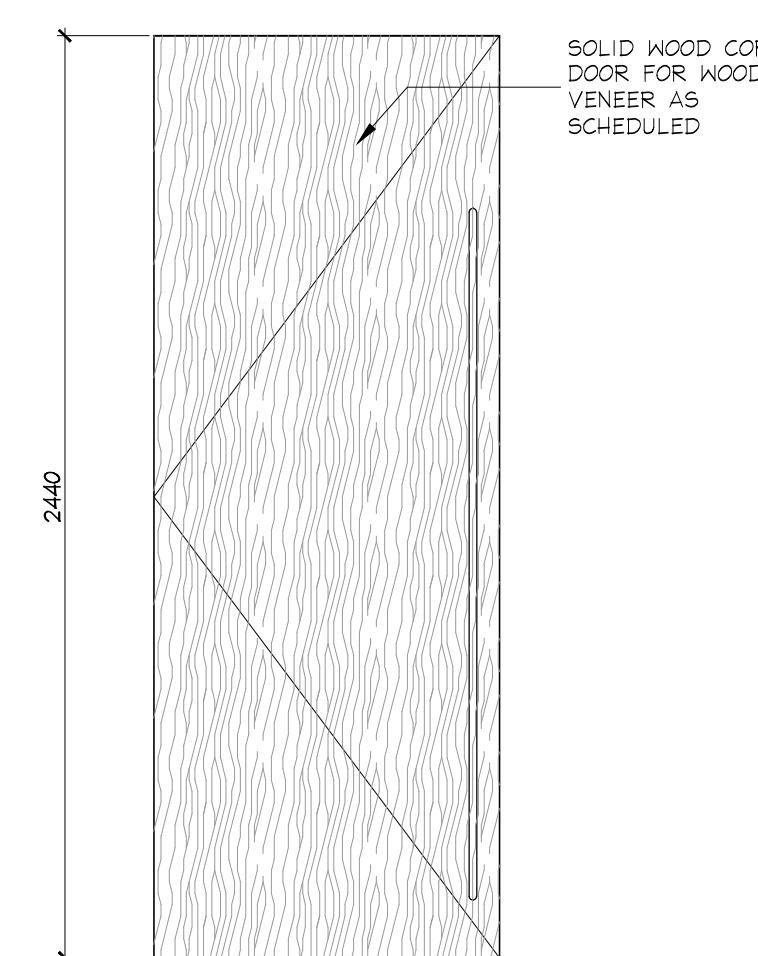
GROUND FLOOR DOORS 143A VFCU ACCESS DOOR



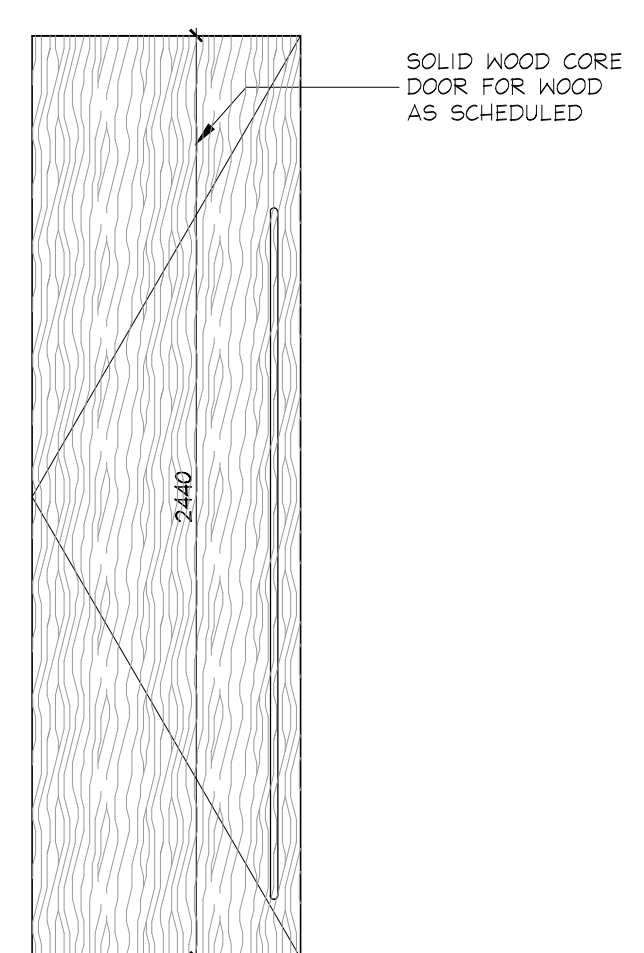
GROUND FLOOR DOORS 143B, 143C VFCU ACCESS DOOR



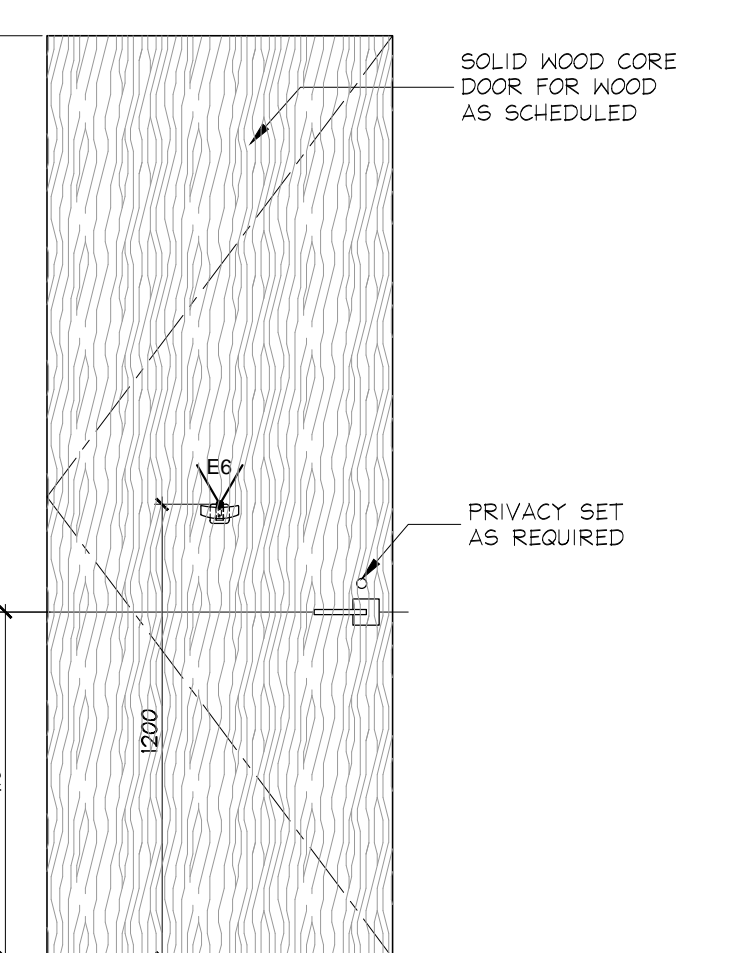
GROUND FLOOR DOOR 144



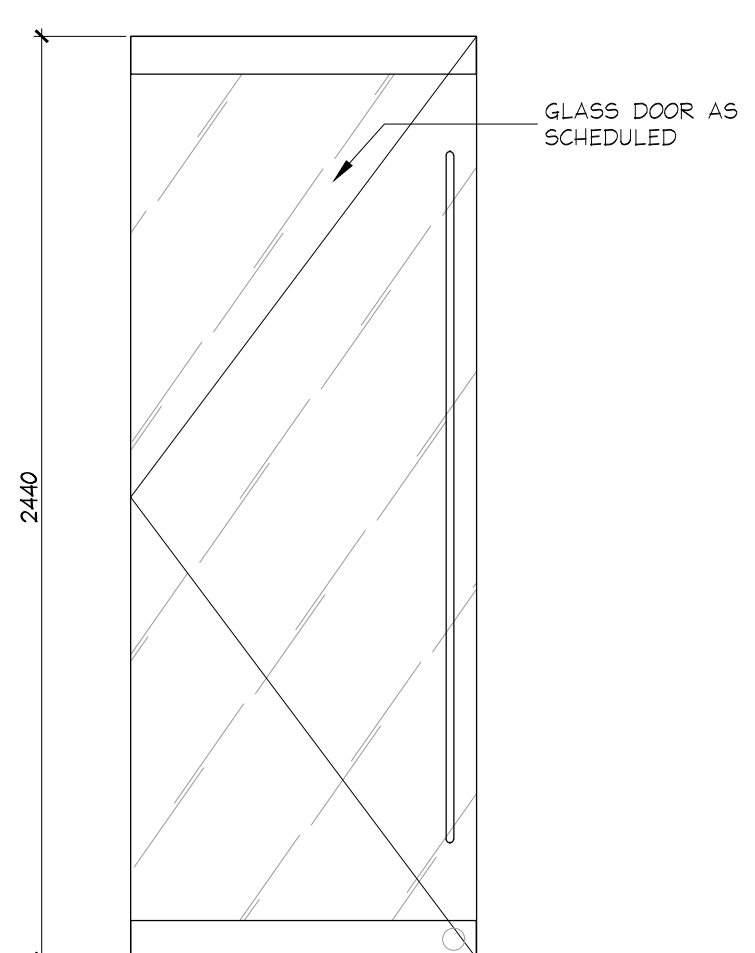
GROUND FLOOR DOORS 146A, 146B, 151A, 151B, 148, 153 MEN'S / WOMEN'S CHANGEROOM VESTIBULE AMENITY KITCHENETTE



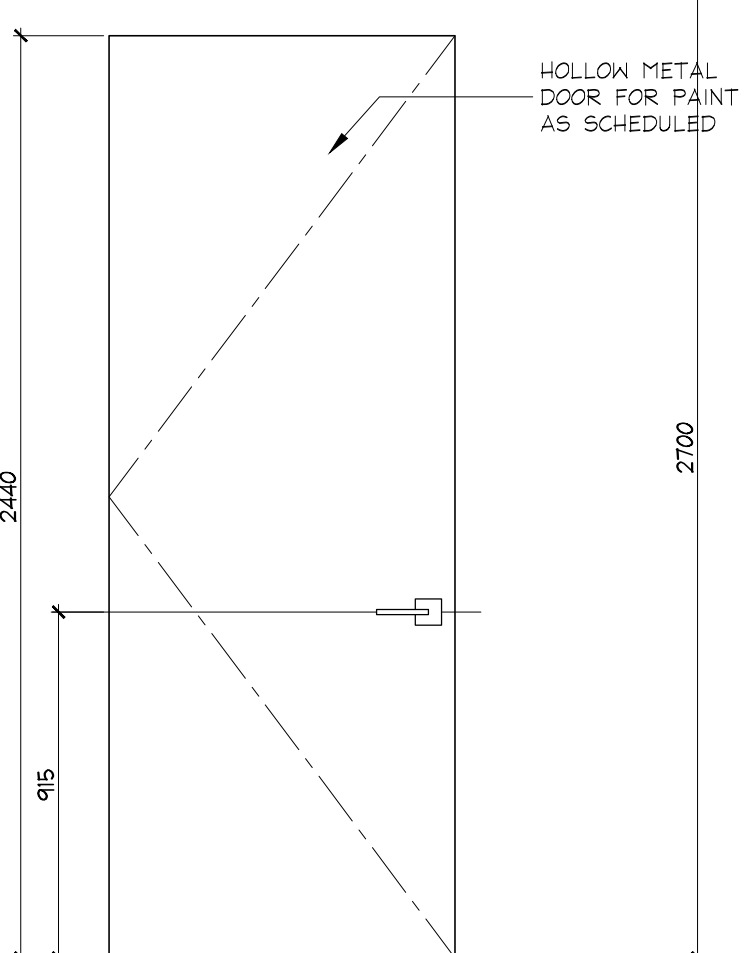
GROUND FLOOR DOORS 147, 152 MEN'S / WOMEN'S WC



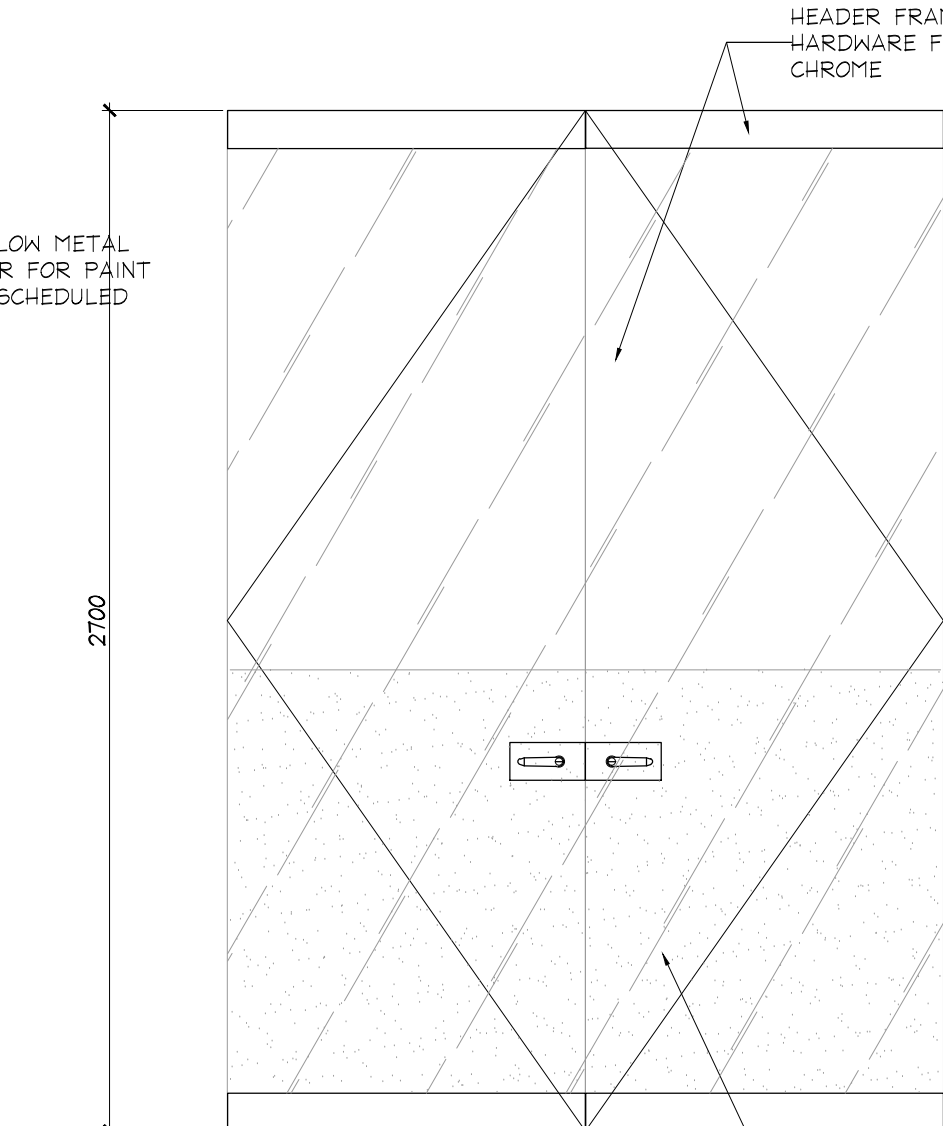
GROUND FLOOR DOORS 148, 153 (INTERIOR) MEN'S / WOMEN'S WC BF



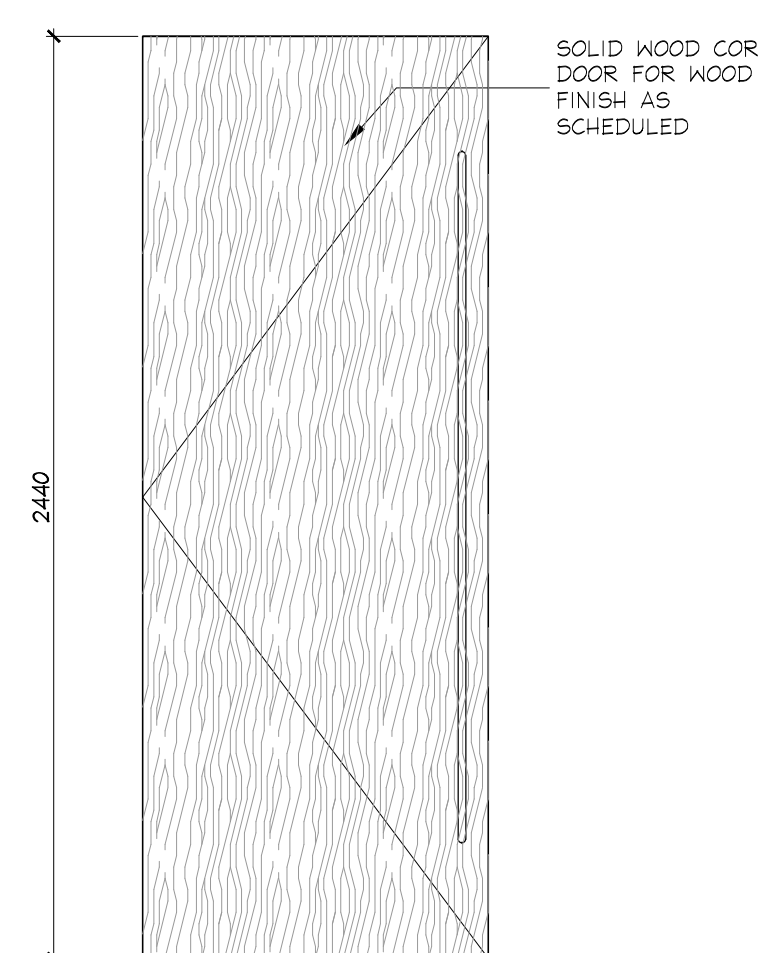
GROUND FLOOR DOORS 149.1, 149.2 MEN'S/ WOMEN'S CHANGEROOM TO WHIRLPOOL SPA



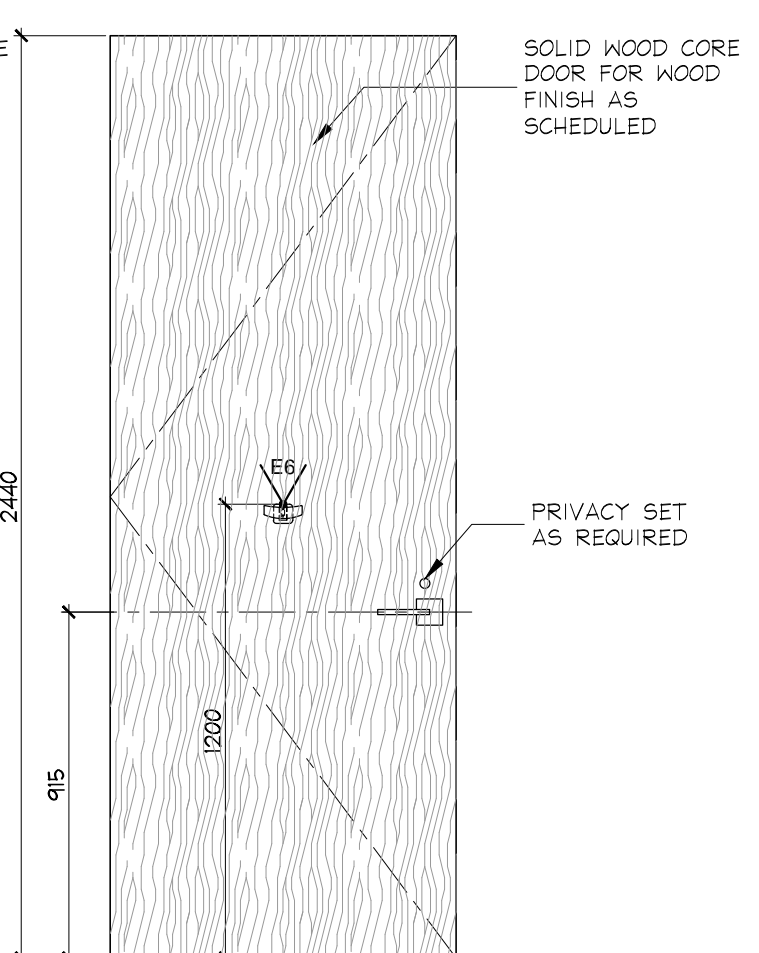
GROUND FLOOR DOOR 150 JANITOR CLOSET IN WOMEN'S CHANGEROOM



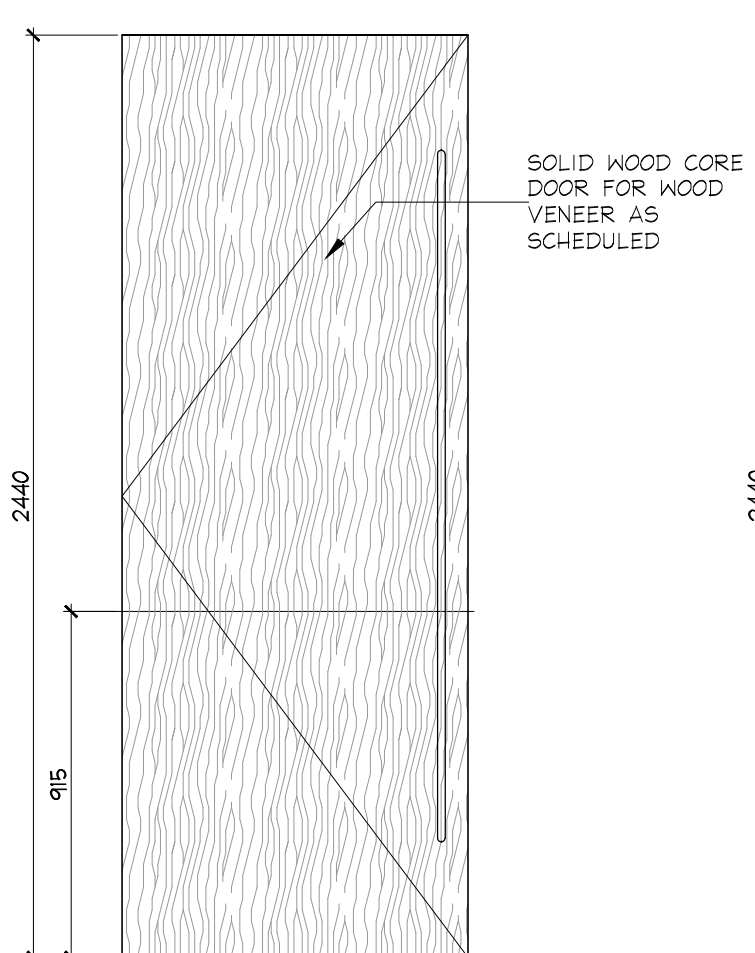
GROUND FLOOR DOOR 154 CORRIDOR D TO FITNESS AREA



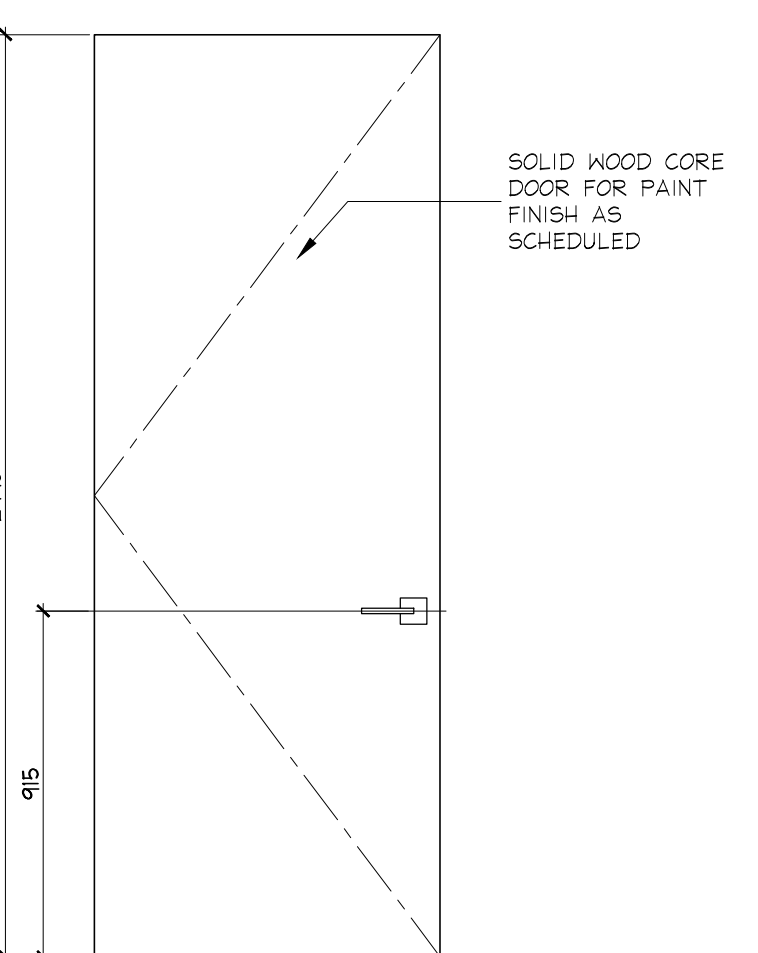
GROUND FLOOR DOORS 156, 157 BARRIER FREE WC



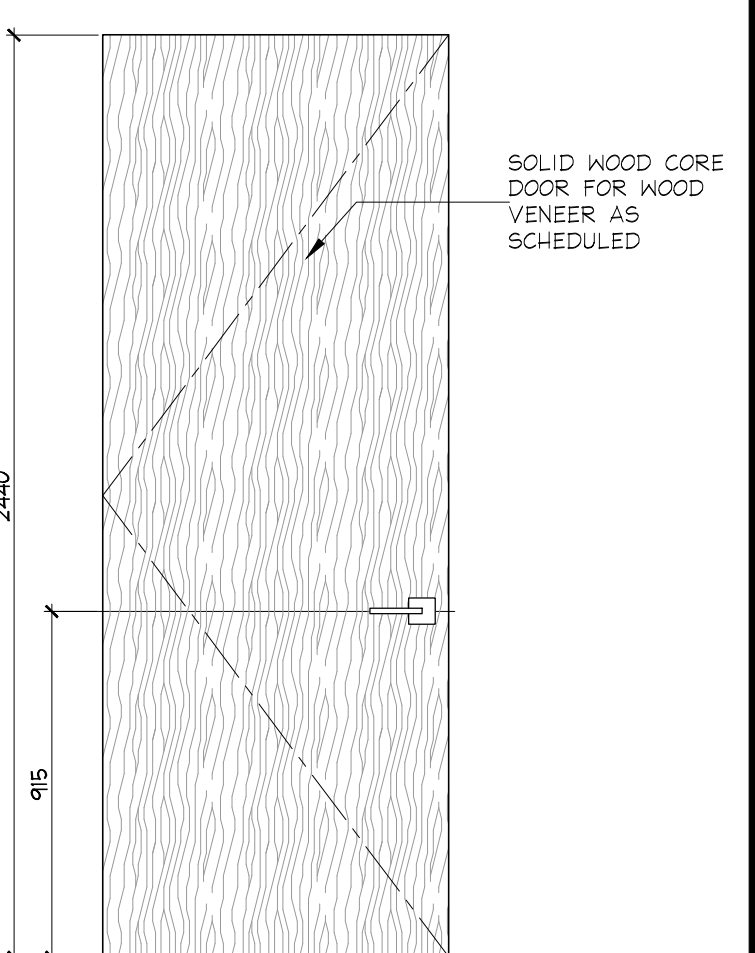
GROUND FLOOR DOORS 156, 157 (INTERIOR) BARRIER FREE WC



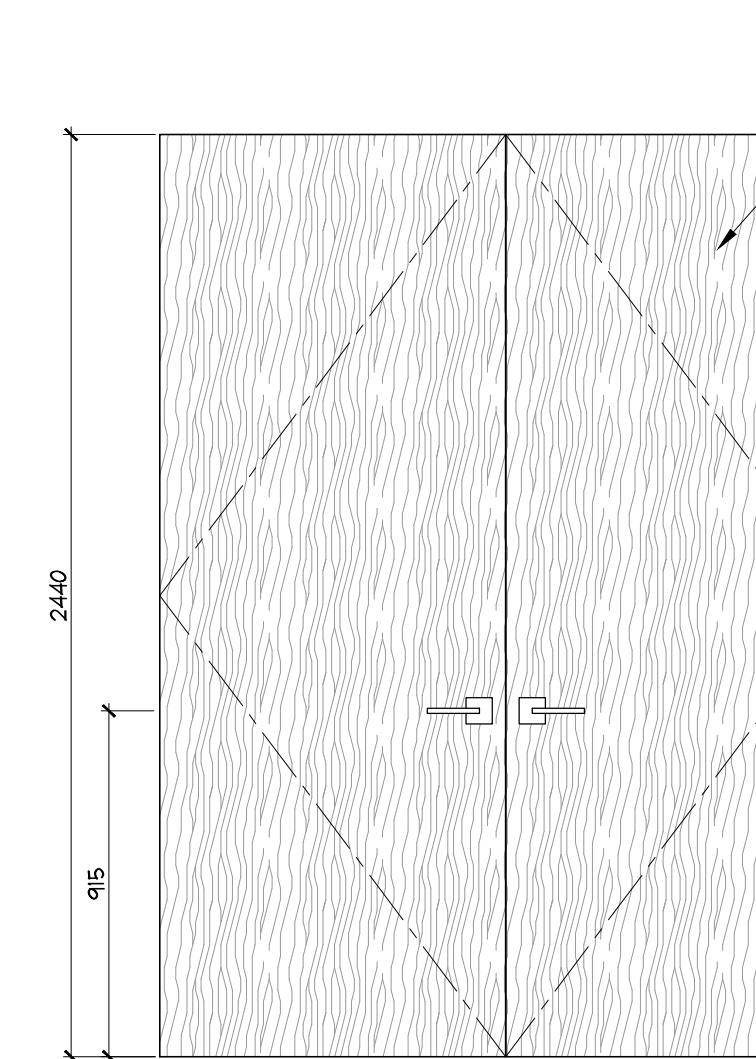
GROUND FLOOR DOOR 158 THEATRE



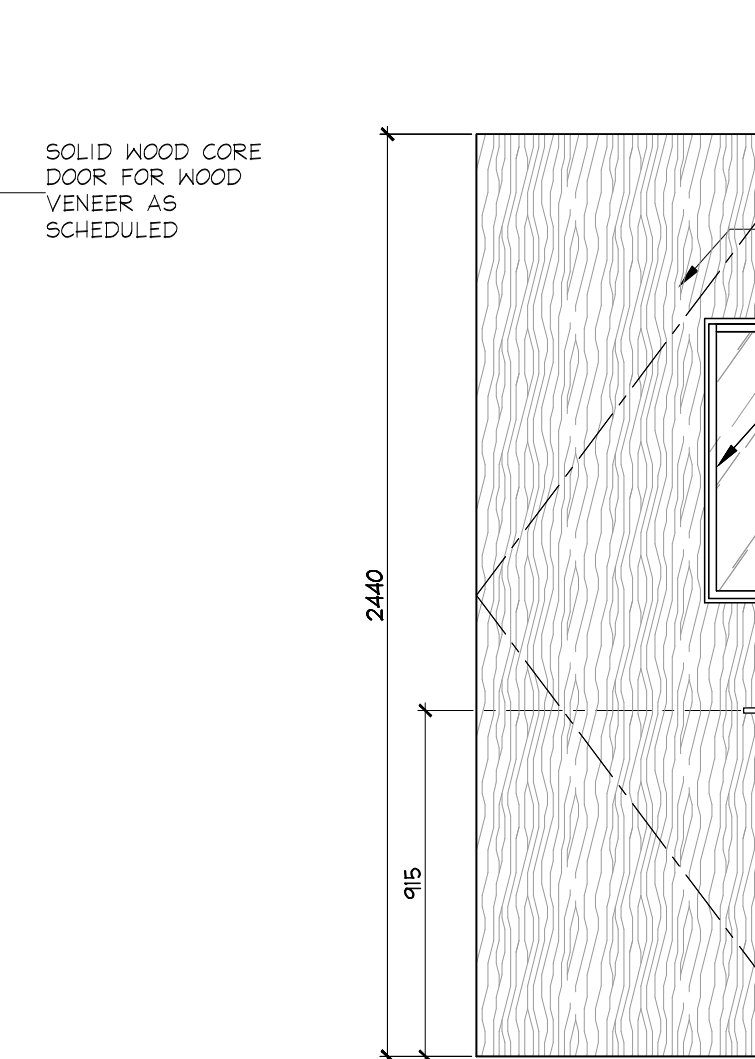
GROUND FLOOR DOOR 158C THEATRE EQUIP.



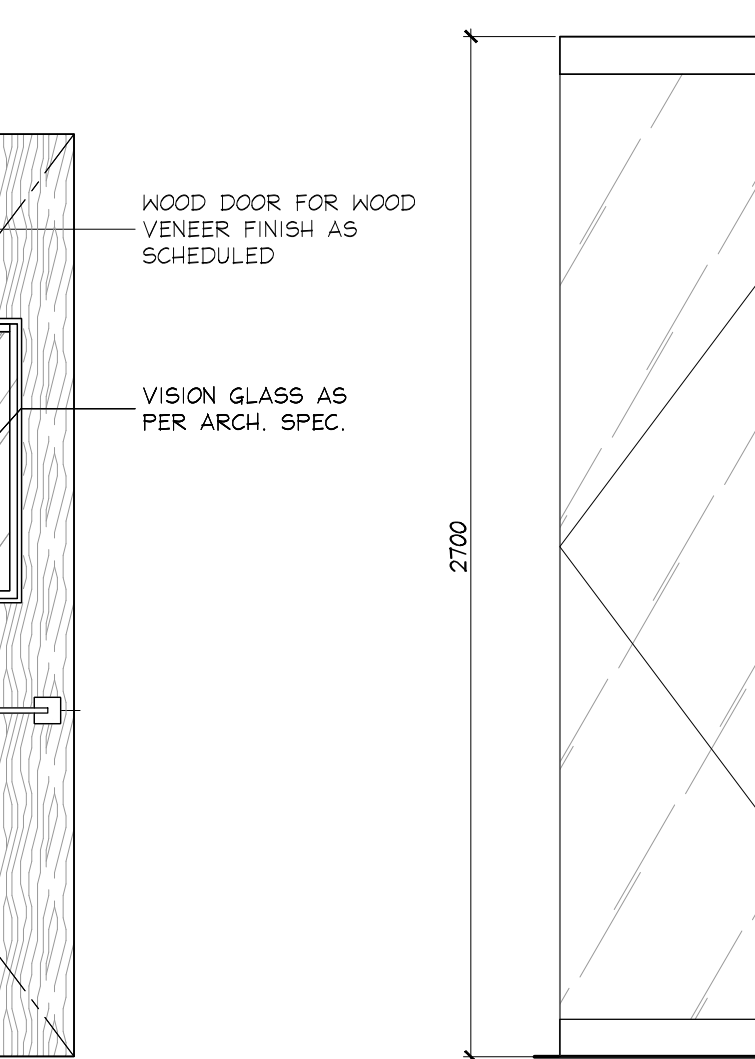
GROUND FLOOR DOORS 168, 169 CACF 4 PARCEL ROOM



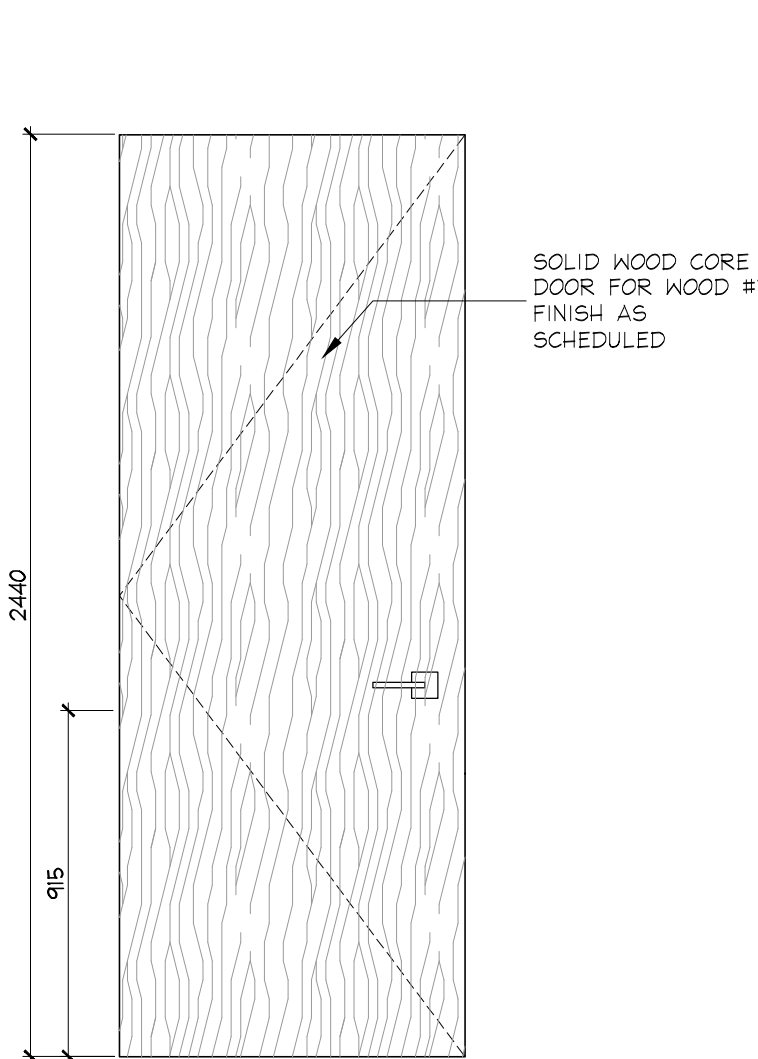
GROUND FLOOR DOOR 159 CORRIDOR D ELECTRICAL CLOSET



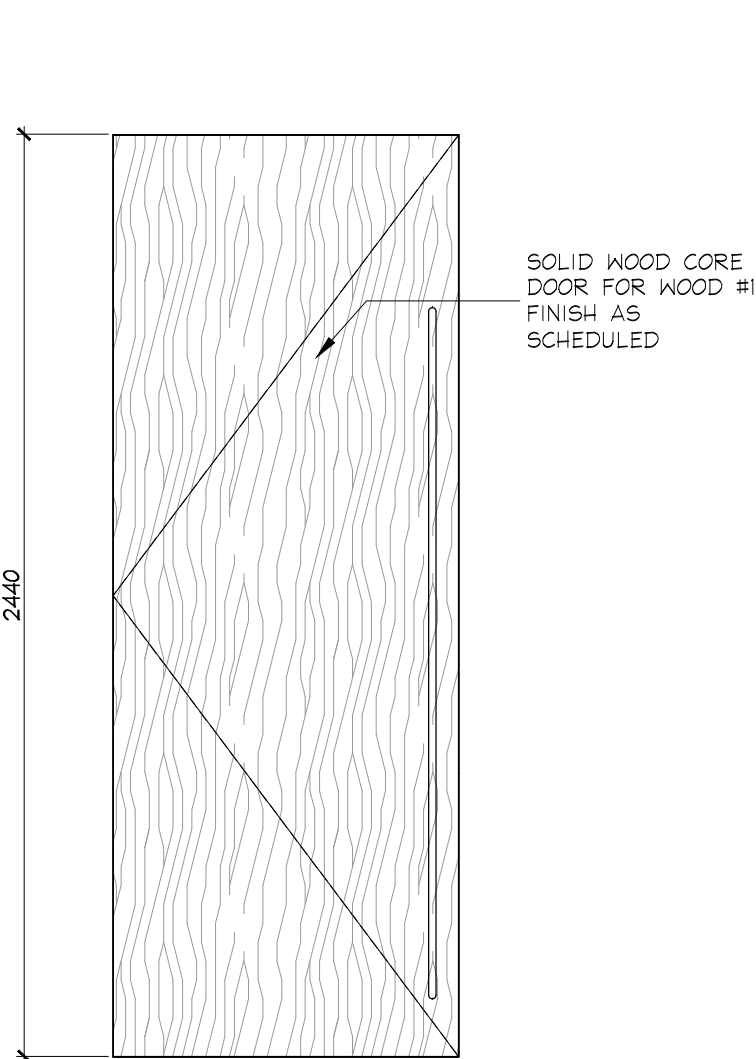
GROUND FLOOR DOOR 160.1 CORRIDOR C TO CORRIDOR A



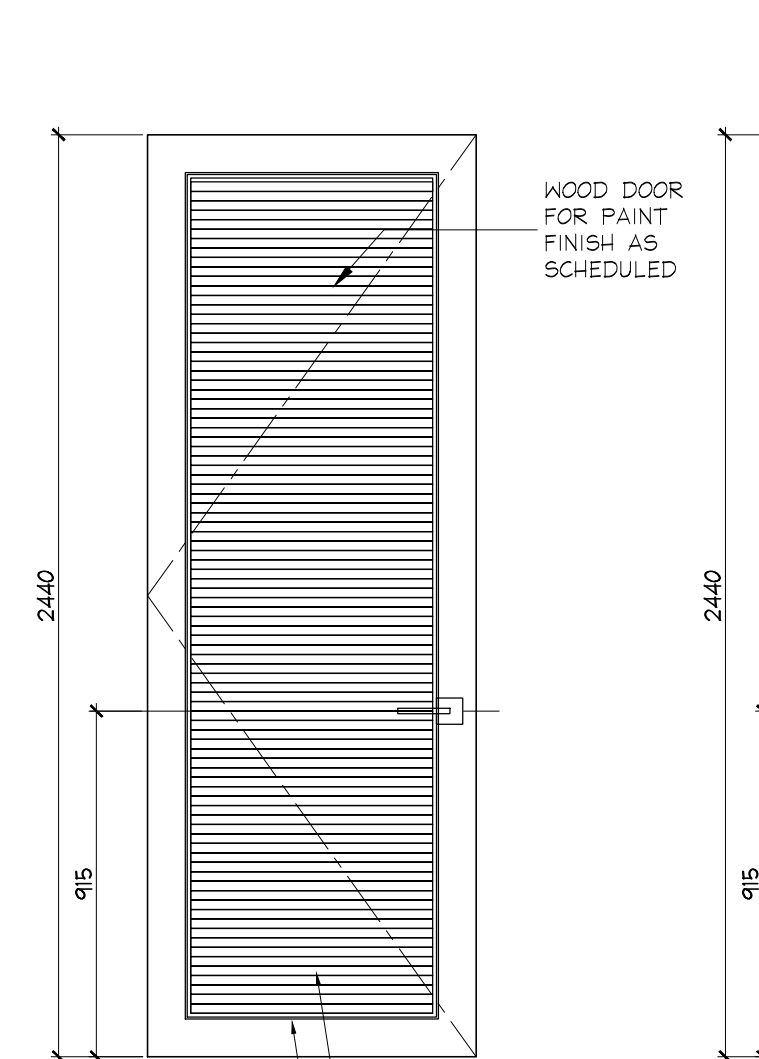
GROUND FLOOR DOOR 160.2 PARTY ROOM AMENITY



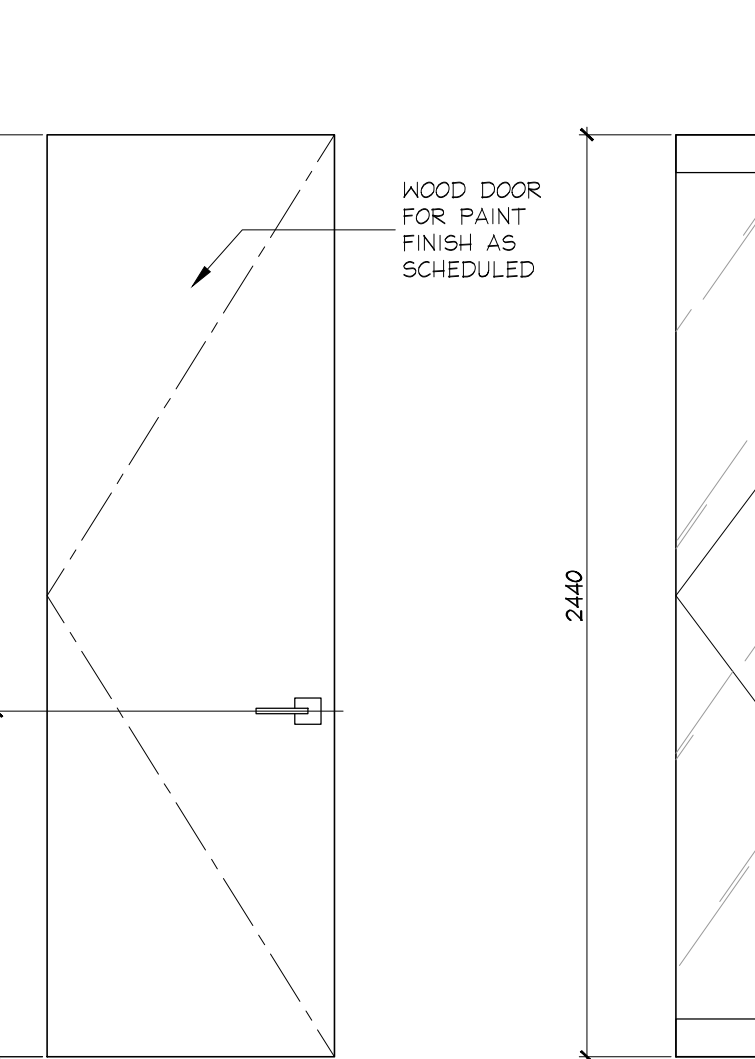
GROUND FLOOR DOORS 161.1, 161.2 DINING ROOM



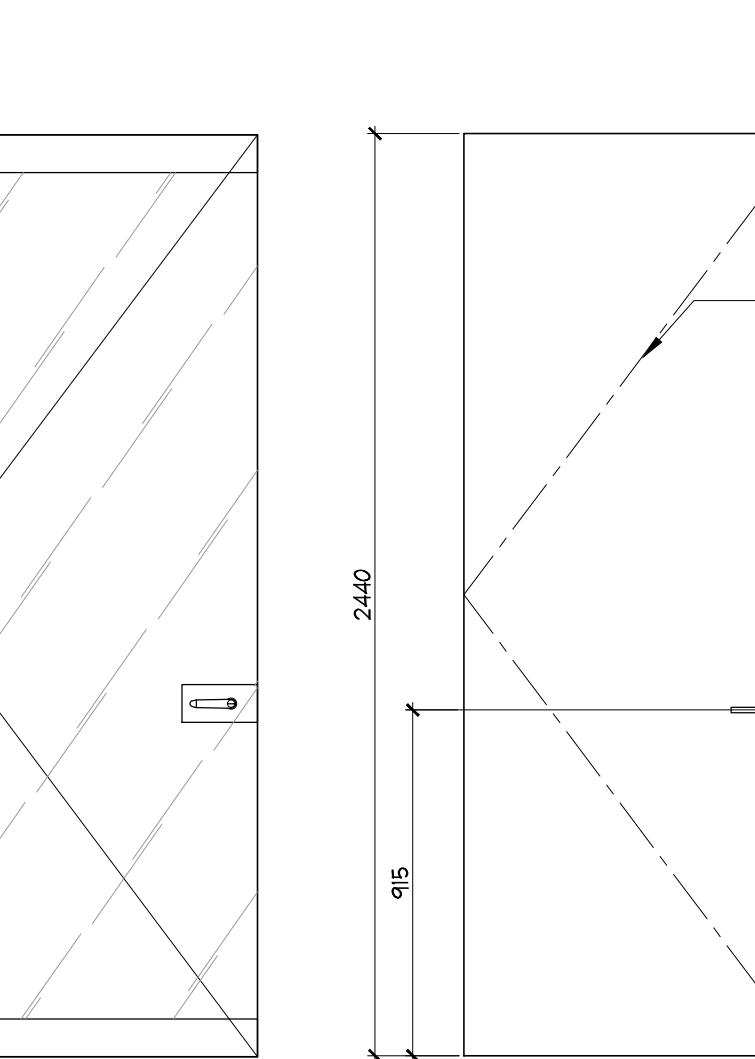
GROUND FLOOR DOORS 162 KITCHEN



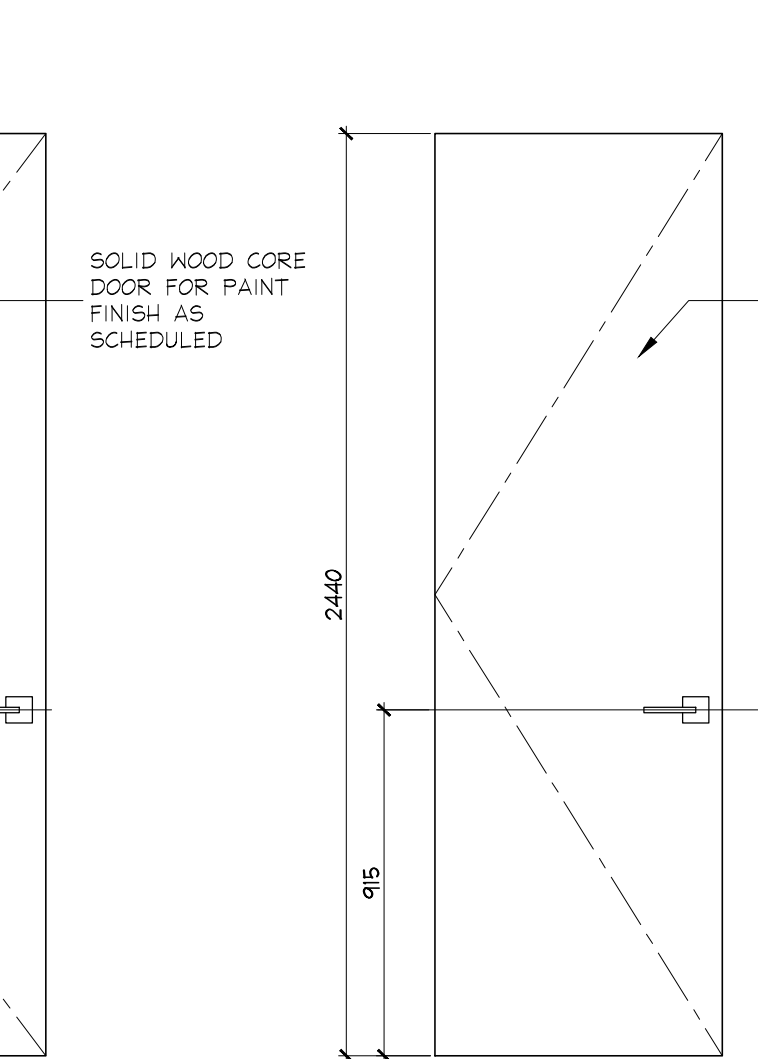
GROUND FLOOR DOORS 162A, 163A VFCU ACCESS DOOR



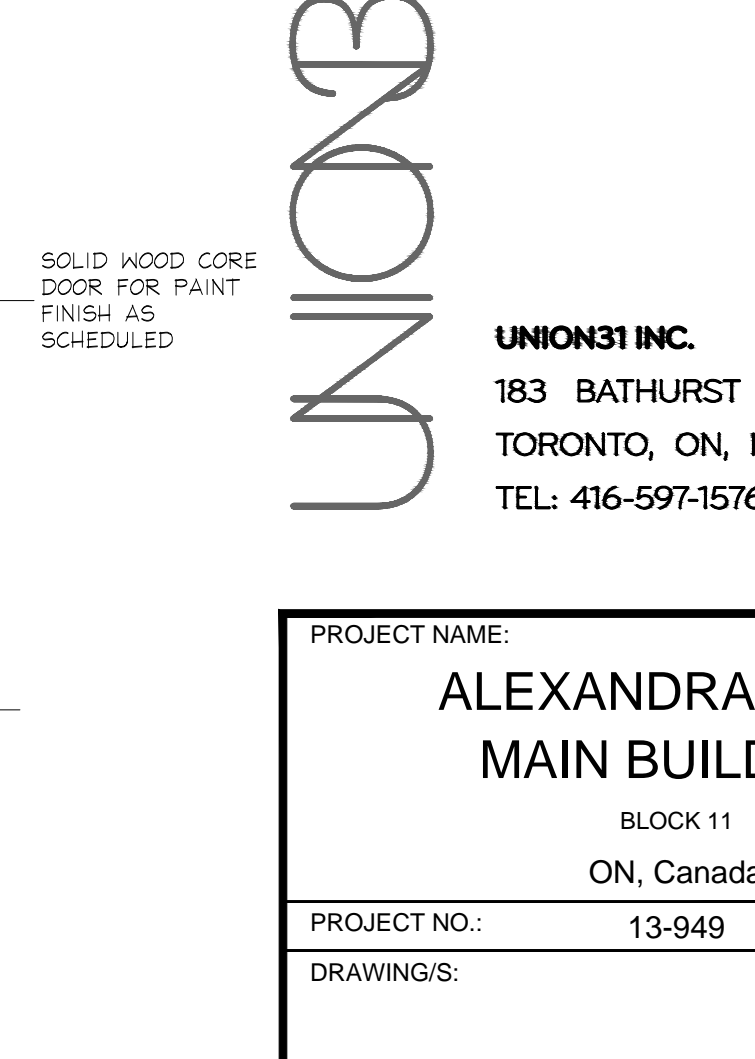
GROUND FLOOR DOOR 163B CLOSET DOOR



GROUND FLOOR DOOR 164 PROPERTY MANAGEMENT OFFICE



GROUND FLOOR DOORS 166.1, 167 PROPERTY MANAGEMENT OFFICE



GROUND FLOOR DOOR 166.2 MANAGEMENT OFFICE (MECHANICAL CLOSET)

NO	DATE	COMMENTS	INI
16	21 JAN / 16	ISSUED FOR PAINT / WALLPAPER TENDER	CB
14	8 SEPT / 15	ISSUED FOR TRIM CARPENTRY	CB
		ADDENDUM / SITE RESTRICTION #2	CB
13	24 AUG / 15	RE ISSUED FOR DRYWALL TENDER	CB
12	21 AUG / 15	ISSUED FOR TRIM CARPENTRY ADDENDUM 1	CB
11	30 AUG / 15	ISSUED FOR DRYWALL TENDER	CB
10	15 JULY / 15	ISSUED FOR TRIM CARPENTRY TENDER	CB
09	16 JUNE / 15	ISSUED FOR FINISH CARPENTRY	CB
03	08 MAR / 15	ISSUED FOR TILE TENDER	AP
02	26 JAN / 15	ISSUED FOR TENDER	AP

UNION 31

UNION 31 INC.
183 BATHURST STREET, STE. 201
TORONTO, ON, M5T 2R7, CANADA
TEL: 416-597-1576 FAX: 416-597-2139

PROJECT NAME: ALEXANDRA PARK MAIN BUILDING	
BLOCK 11 ON, Canada	
PROJECT NO.: 13-949	DRAWINGS: DOOR ELEVATIONS
DATE STARTED: 07 AUG / 13	DRAWING NO.: ID
SCALE: AS NOTED	2.4.0
DRAWN BY: SM	
APPROVED BY: KC	