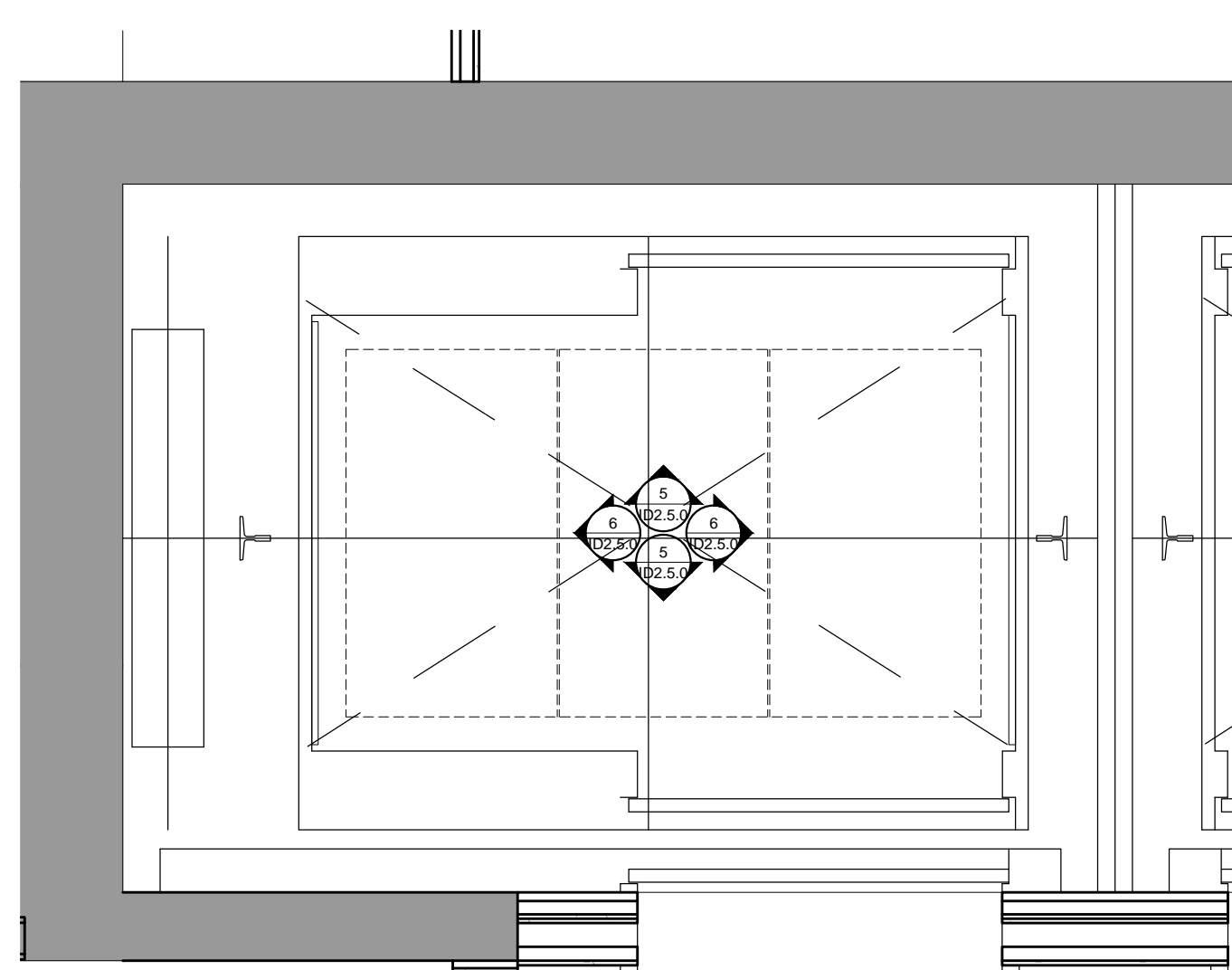


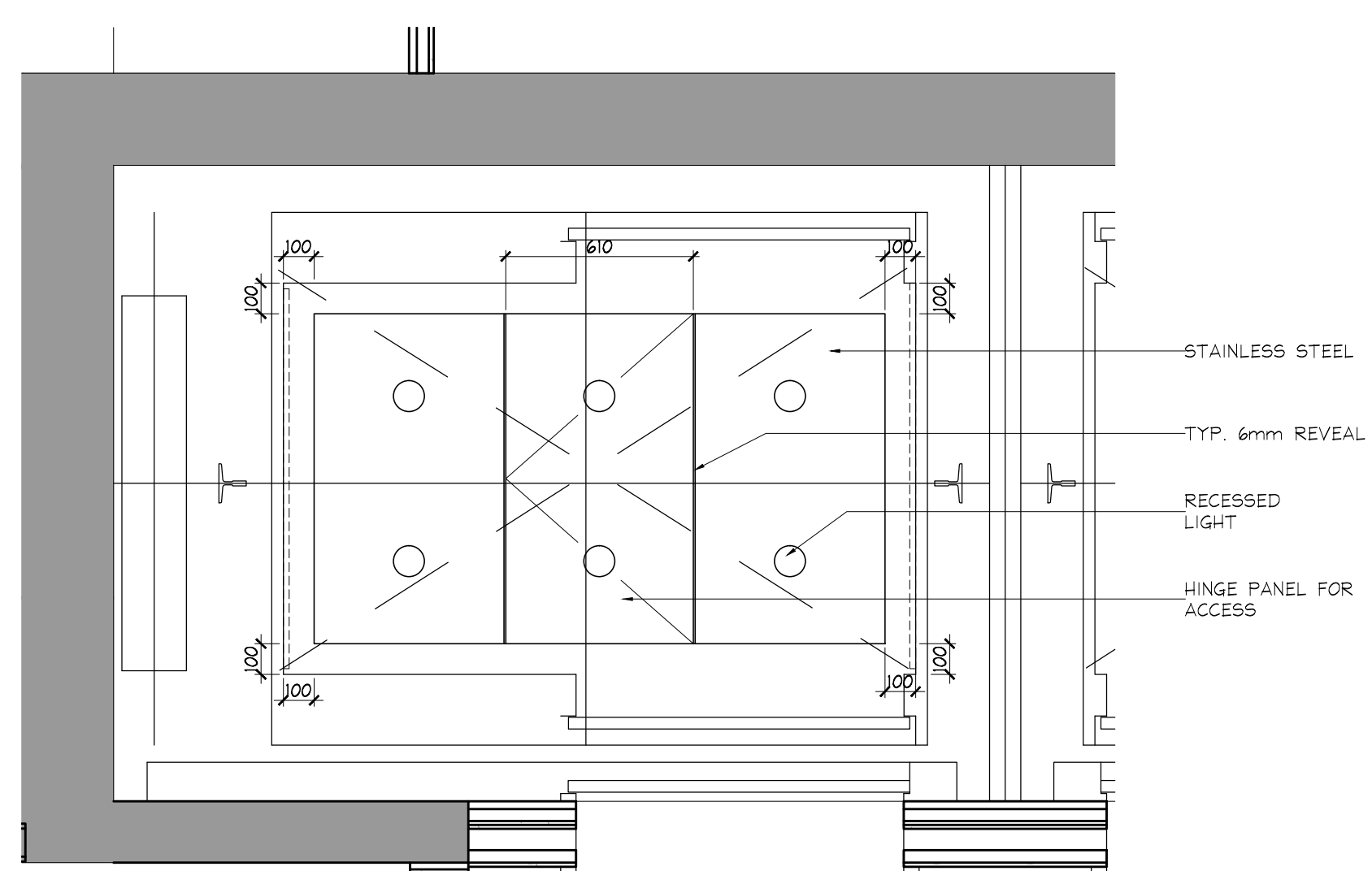
DO NOT SCALE DRAWINGS.

CONTRACTOR MUST VERIFY ALL DRAWINGS, DIMENSIONS, DETAILS AND SPECIFICATIONS, AND REPORT ANY DISCREPANCIES TO UNION 31 INC. BEFORE PROCEEDING WITH WORK. MATERIALS MAY NOT BE SUBSTITUTED WITHOUT WRITTEN APPROVAL FROM UNION 31 INC.
ALL DRAWINGS AND SPECIFICATIONS ARE INSTRUMENTS OF SERVICE AND THE PROPERTY OF UNION 31 INC. WHICH MUST BE RETURNED AT THE COMPLETION OF THE WORK.

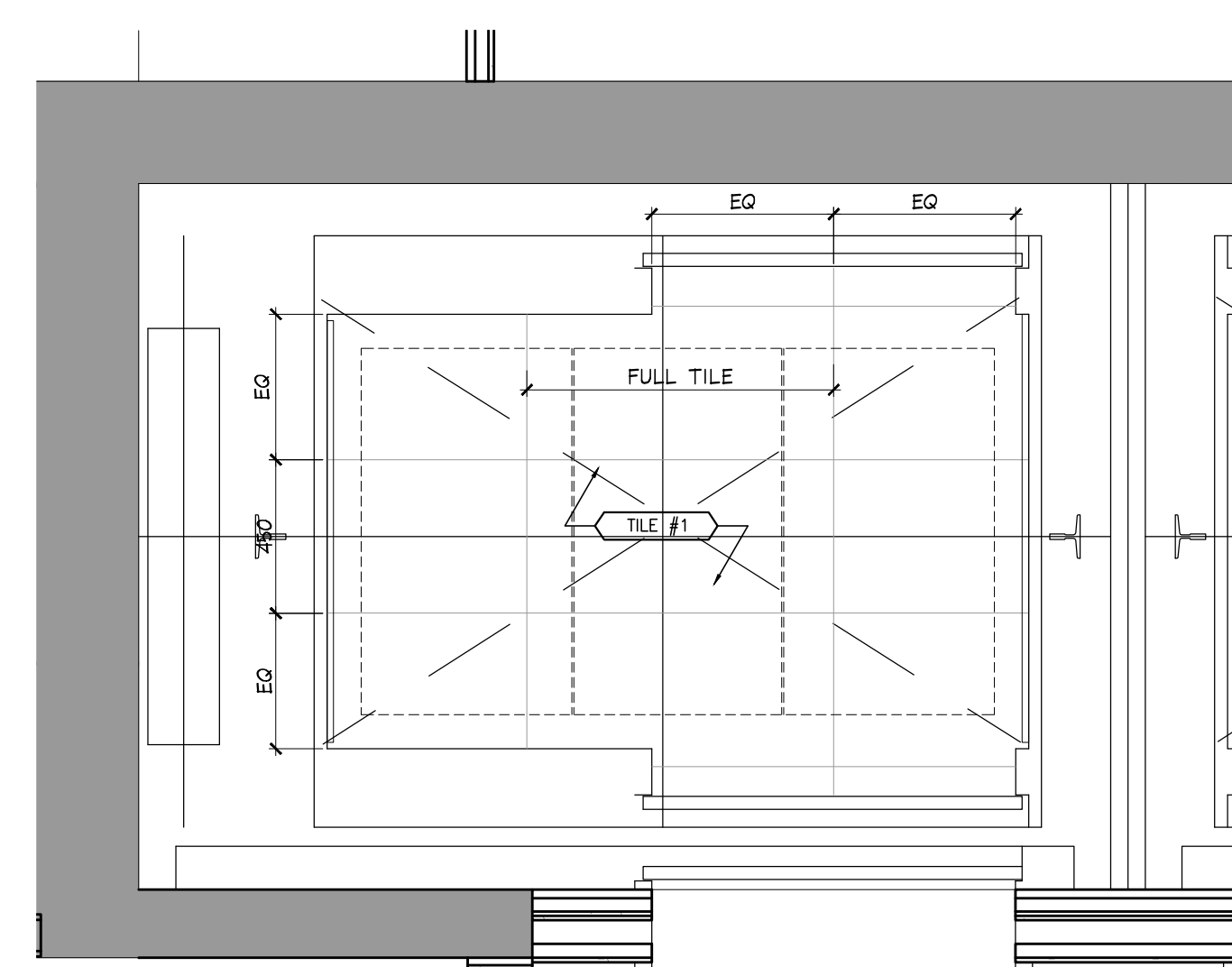
PRINTED: 20-JAN-16



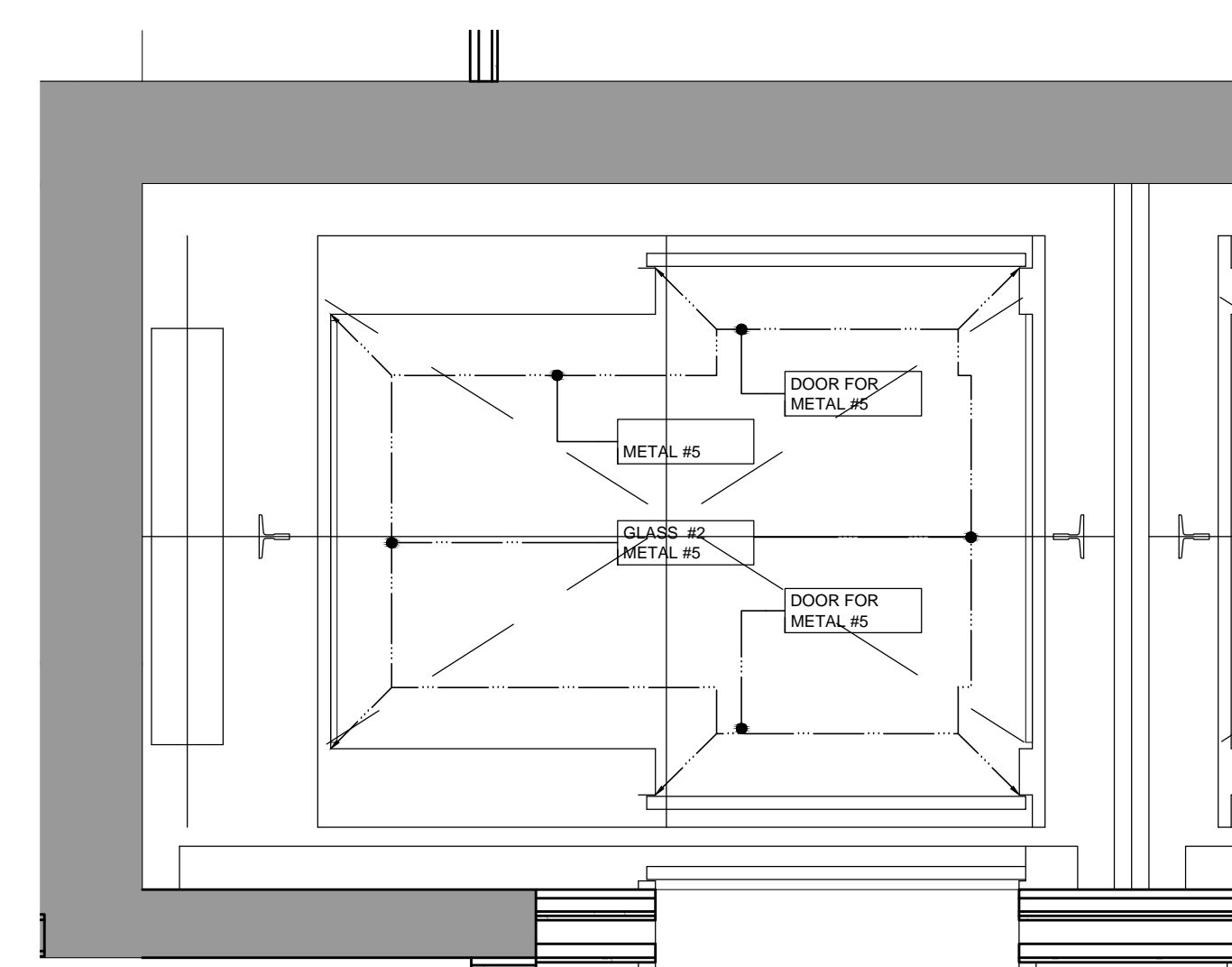
1 TYP. ELEVATOR CAB CONSTRUCTION PLAN SCALE 1:20



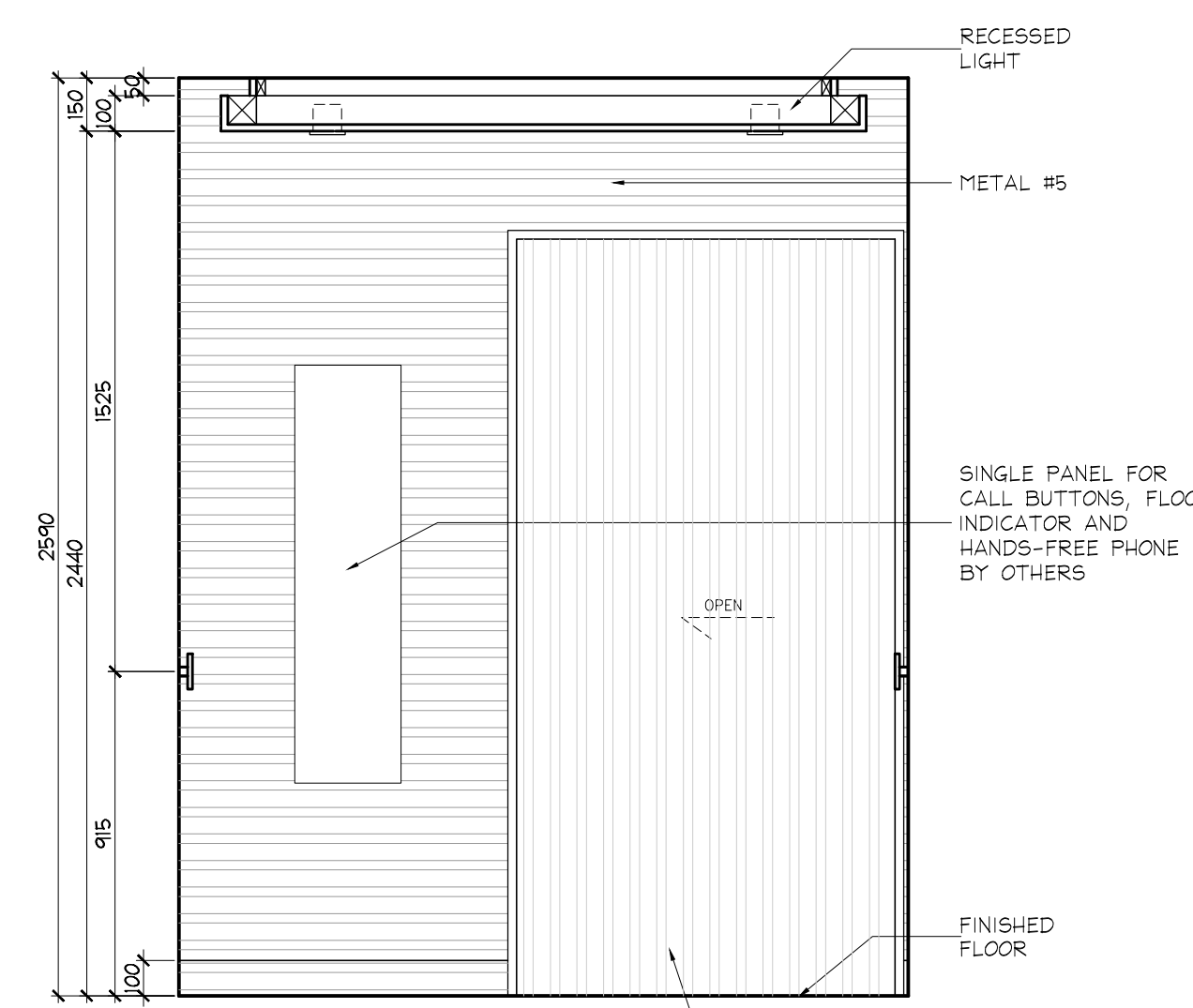
2 TYP. ELEVATOR CAB REFLECTED CEILING PLAN SCALE 1:20



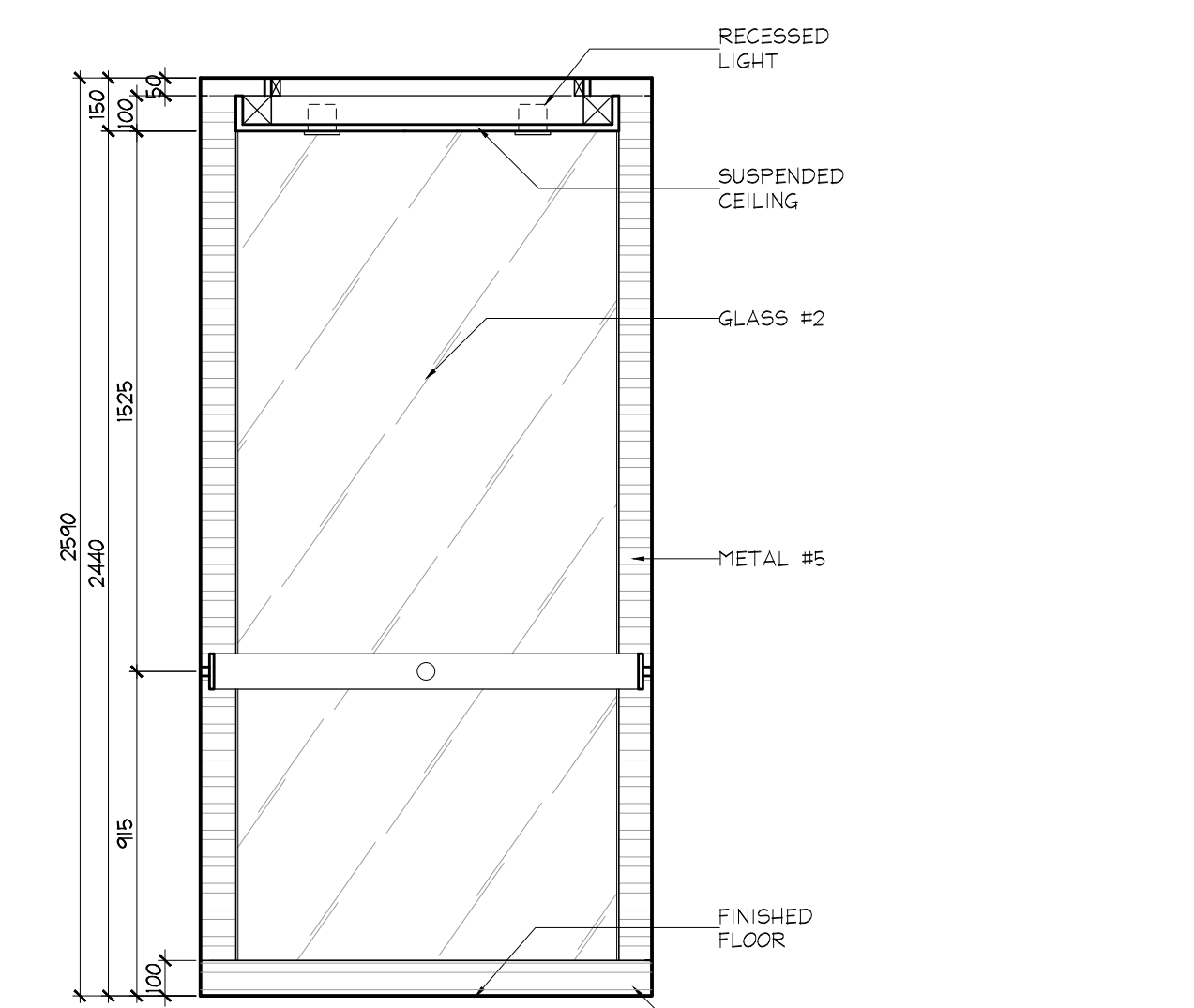
3 TYP. ELEVATOR CAB FLOOR FINISHES PLAN SCALE 1:20



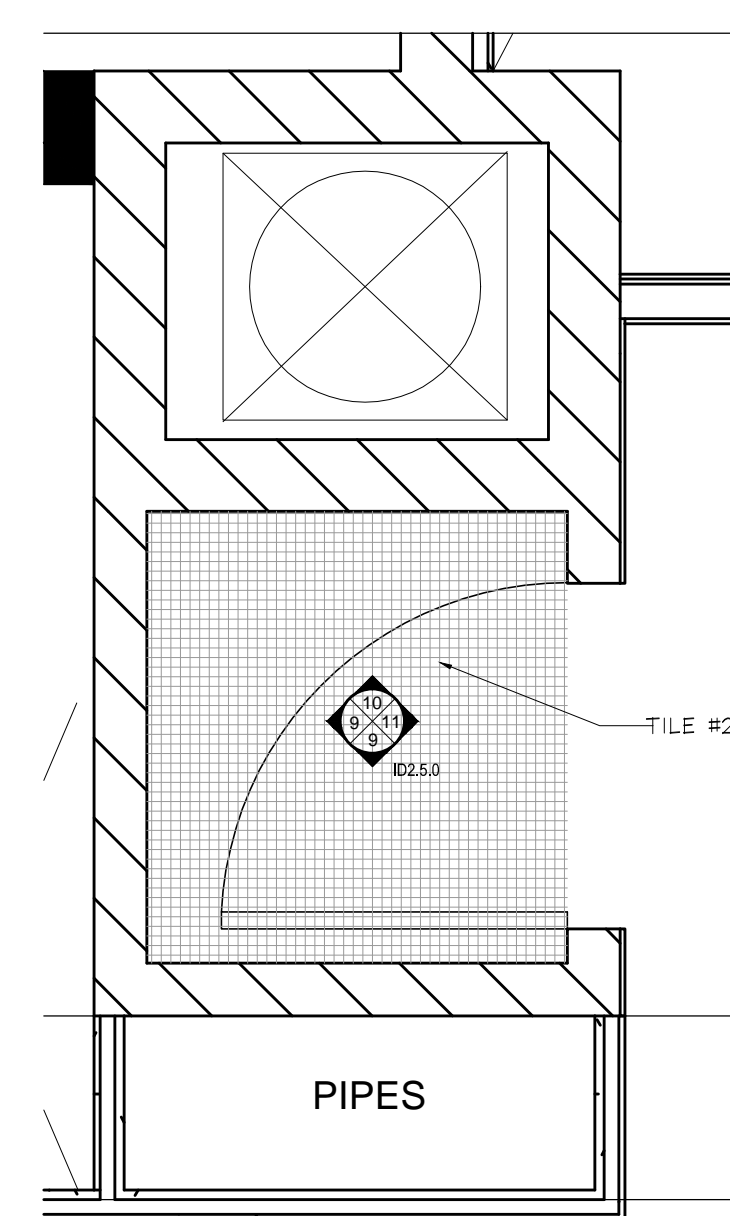
4 TYP. ELEVATOR CAB WALL FINISHES PLAN SCALE 1:20



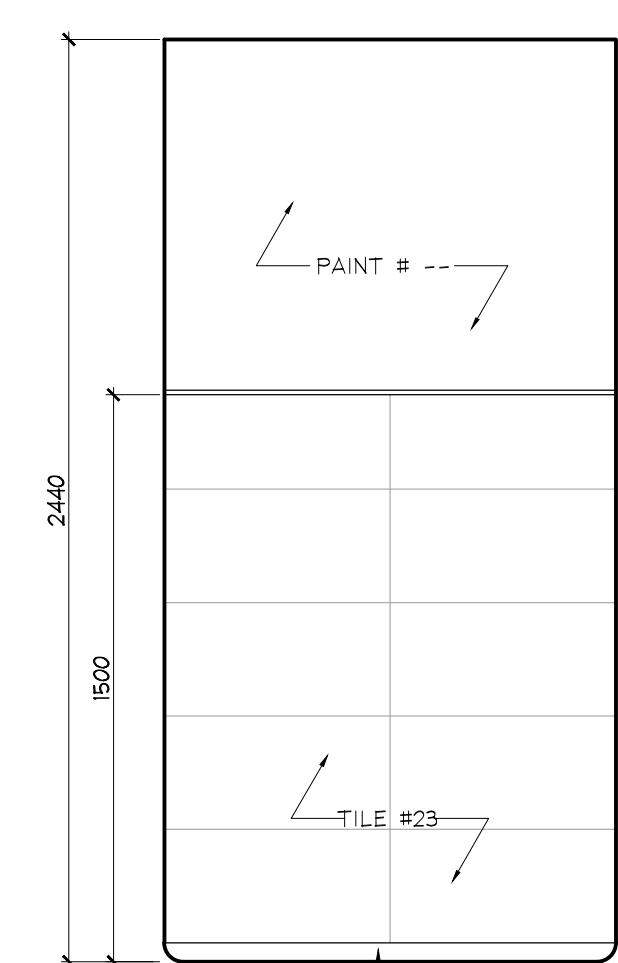
5 TYP. ELEVATOR CAB ELEVATION SCALE 1:20



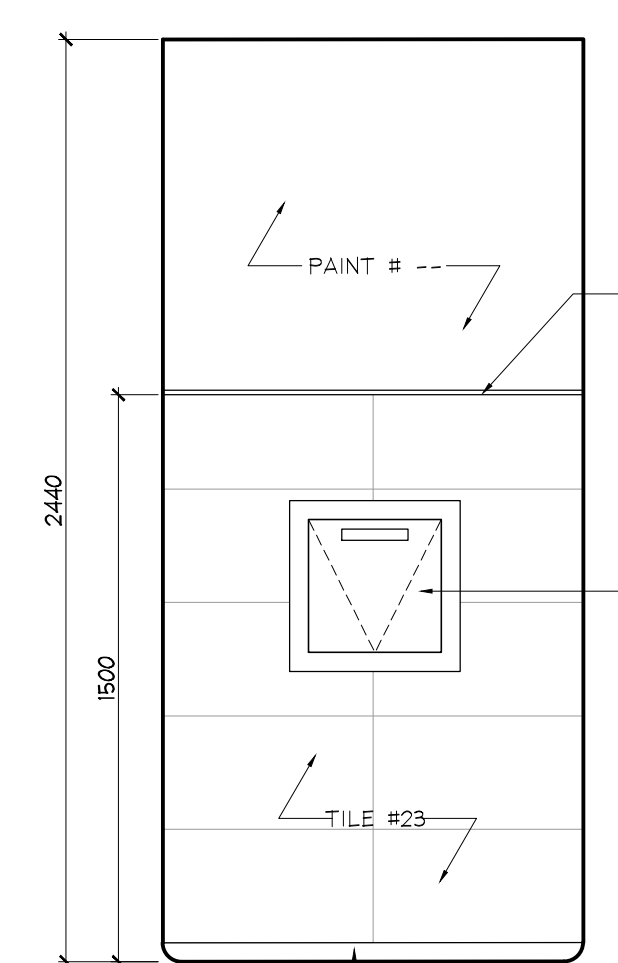
6 TYP. ELEVATOR CAB ELEVATION SCALE 1:20



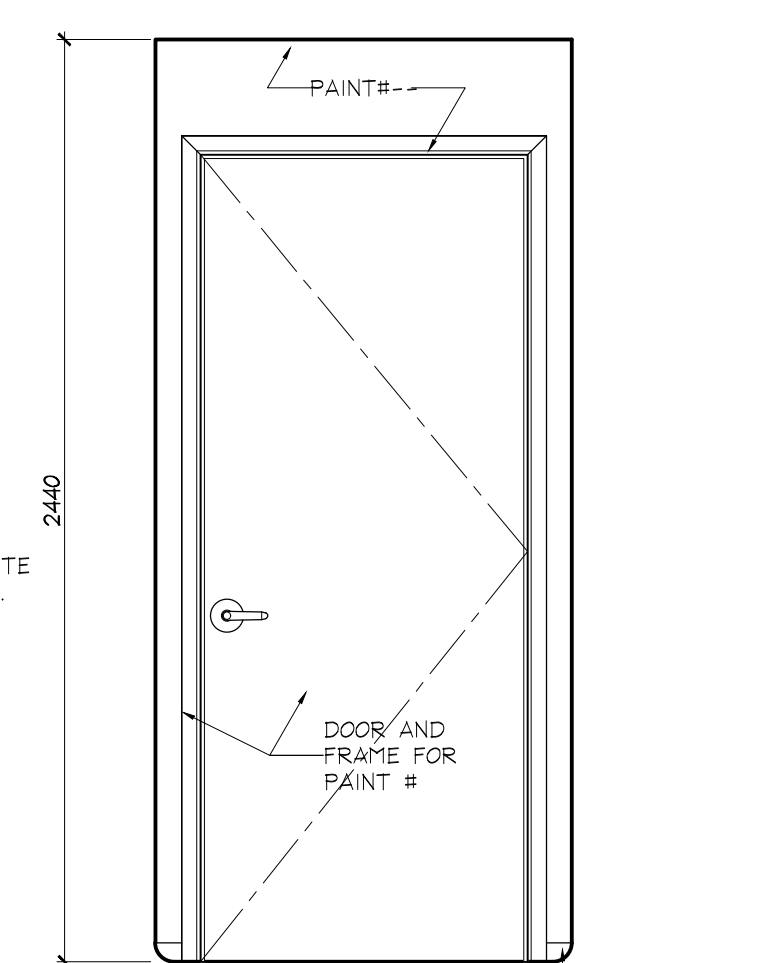
8 PLAN GARBAGE CHUTE SCALE 1:20



9 ELEVATION GARBAGE CHUTE SCALE 1:20



10 ELEVATION GARBAGE CHUTE SCALE 1:20



11 ELEVATION GARBAGE CHUTE SCALE 1:20

NO	DATE	COMMENTS	INI
16	21 JAN / 16	ISSUED FOR PAINT / WALLPAPER TENDER	CB
14	8 SEPT / 15	ISSUED FOR TRIM CARPENTRY	CB
		ADDENDUM 1: SITE INSTRUCTION #2	CB
13	24 AUG / 15	RE- ISSUED FOR DRYWALL TENDER	CB
11	20 AUG / 15	ISSUED FOR DRYWALL TENDER	CB
10	15 JULY / 15	ISSUED FOR TRIM CARPENTRY TENDER	CB
09	16 JUNE / 15	ISSUED FOR FINISH CARPENTRY	CB
05	13 MAY / 15	ADDENDUM #2	CB
03	08 MAR / 15	ISSUED FOR TILE TENDER	AP
			INI

UNION 31

UNION31 INC.
183 BATHURST STREET, STE. 201
TORONTO, ON, M5T 2R7, CANADA
TEL: 416-597-1576 FAX: 416-597-2139

PROJECT NAME:
ALEXANDRA PARK MAIN BUILDING
BLOCK 11
ON, Canada

PROJECT NO.: 13-949

DRAWINGS:
ELEVATOR CAB & GARBAGE CHUTE PLANS, ELEVATIONS & DETAILS

DATE STARTED: 07 AUG / 13 DRAWING NO.:
SCALE: 1:20 ID
DRAWN BY: AP
APPROVED BY: KC 2.5.0