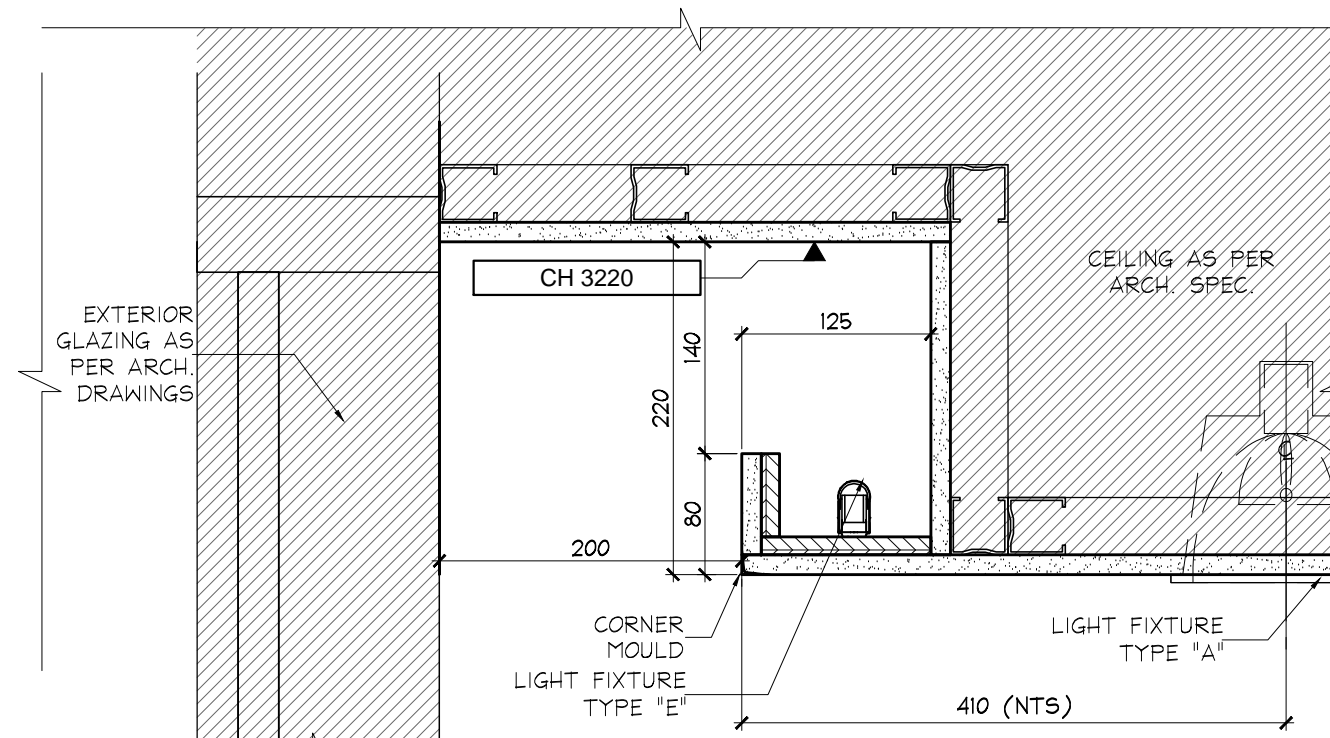


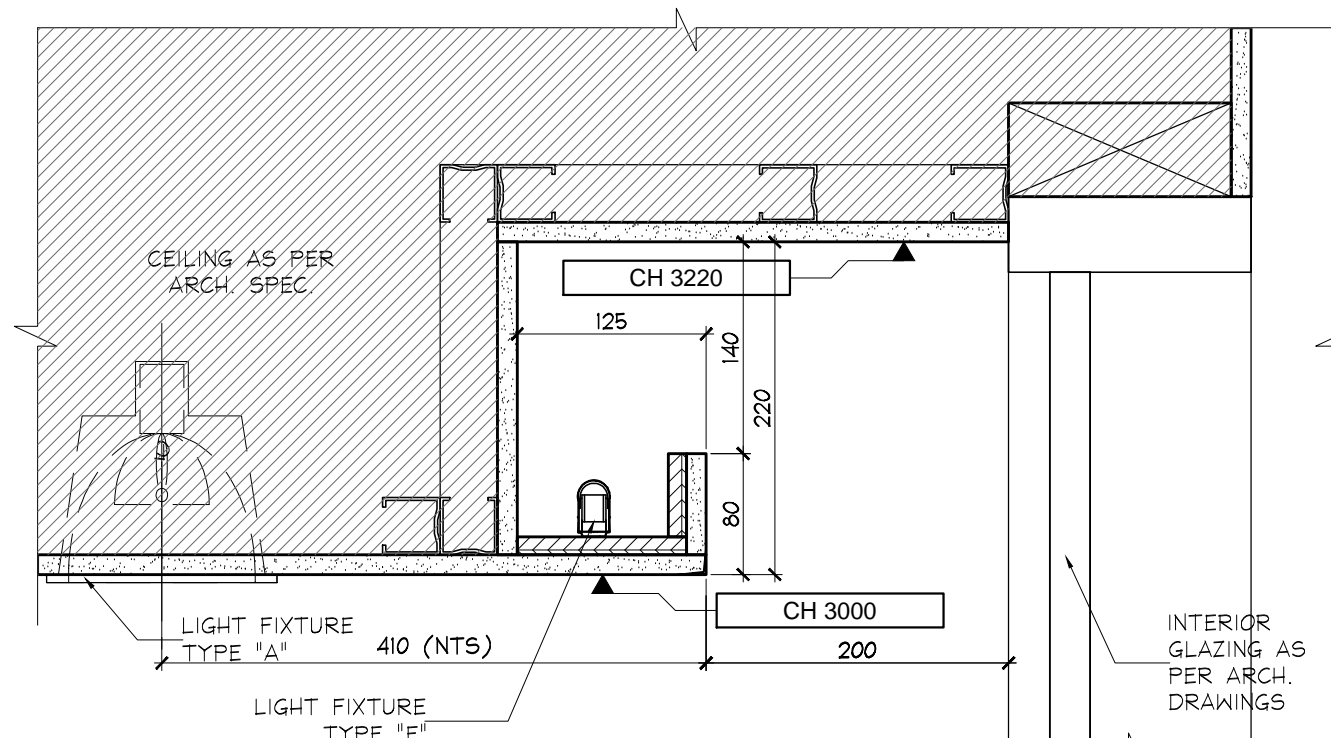
DO NOT SCALE DRAWINGS.

CONTRACTOR MUST VERIFY ALL DRAWINGS, DIMENSIONS, DETAILS AND SPECIFICATIONS, AND REPORT ANY DISCREPANCIES TO UNOBI 31 INC. BEFORE PROCEEDING WITH WORK. MATERIALS MAY NOT BE SUBSTITUTED WITHOUT WRITTEN APPROVAL FROM UNOBI 31 INC. ALL DRAWINGS AND SPECIFICATIONS ARE INSTRUMENTS OF SERVICE AND THE PROPERTY OF UNOBI 31 INC. WHICH MUST BE RETURNED AT THE COMPLETION OF THE WORK.

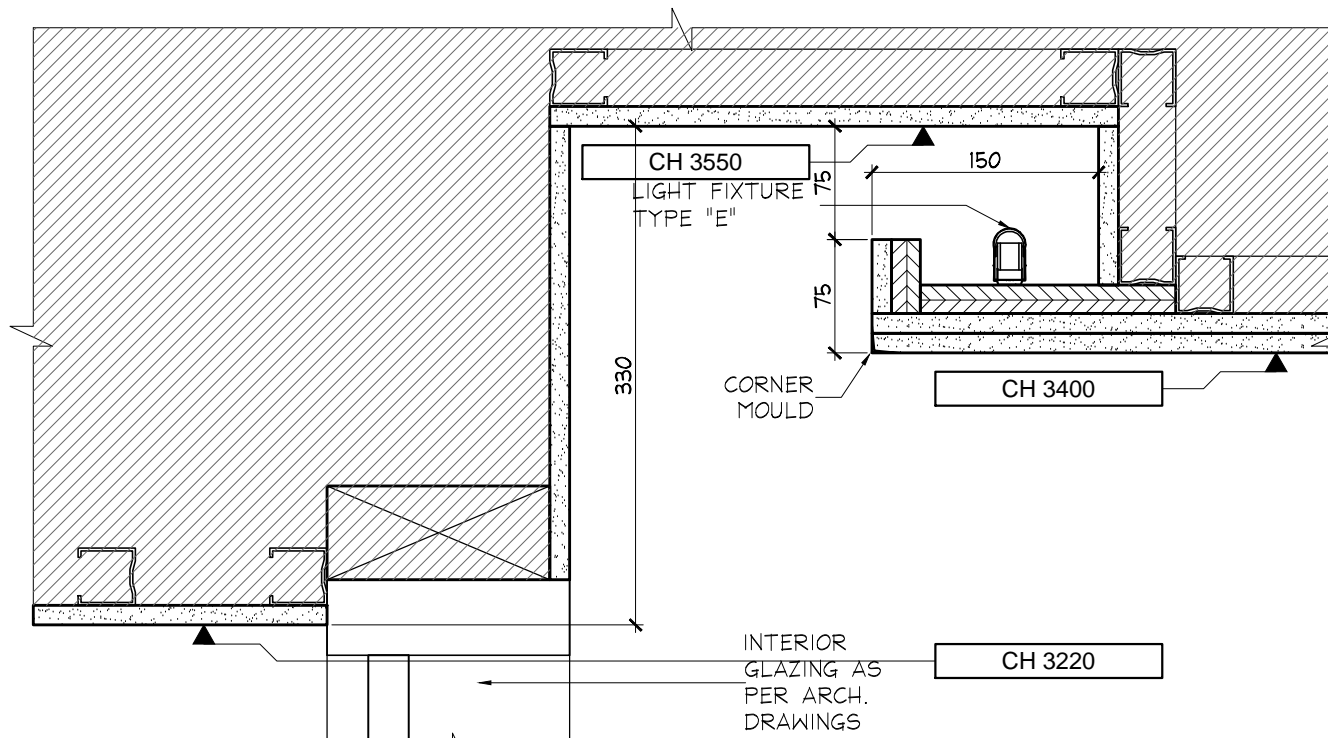
PRINTED: 20-JAN-16



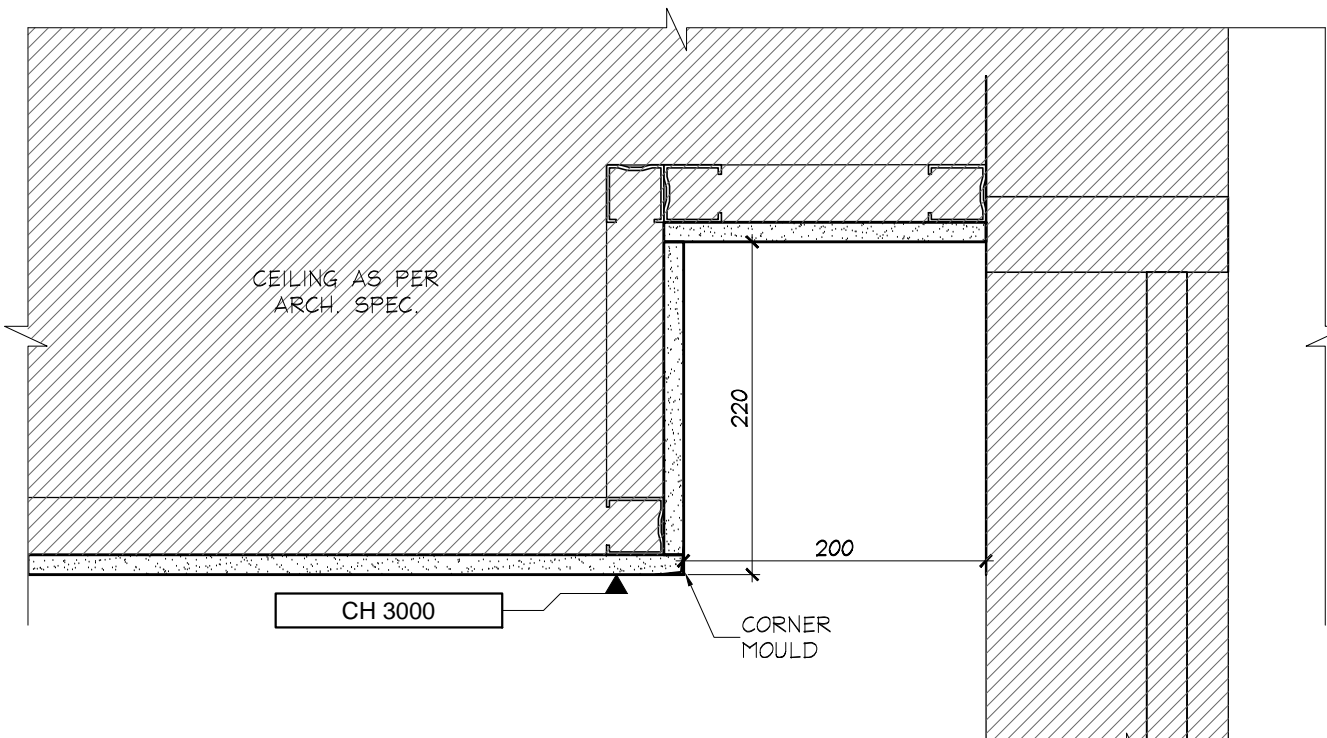
1 CEILING SECTION
EAST VESTIBULE
1ST FLOOR SCALE 1:5



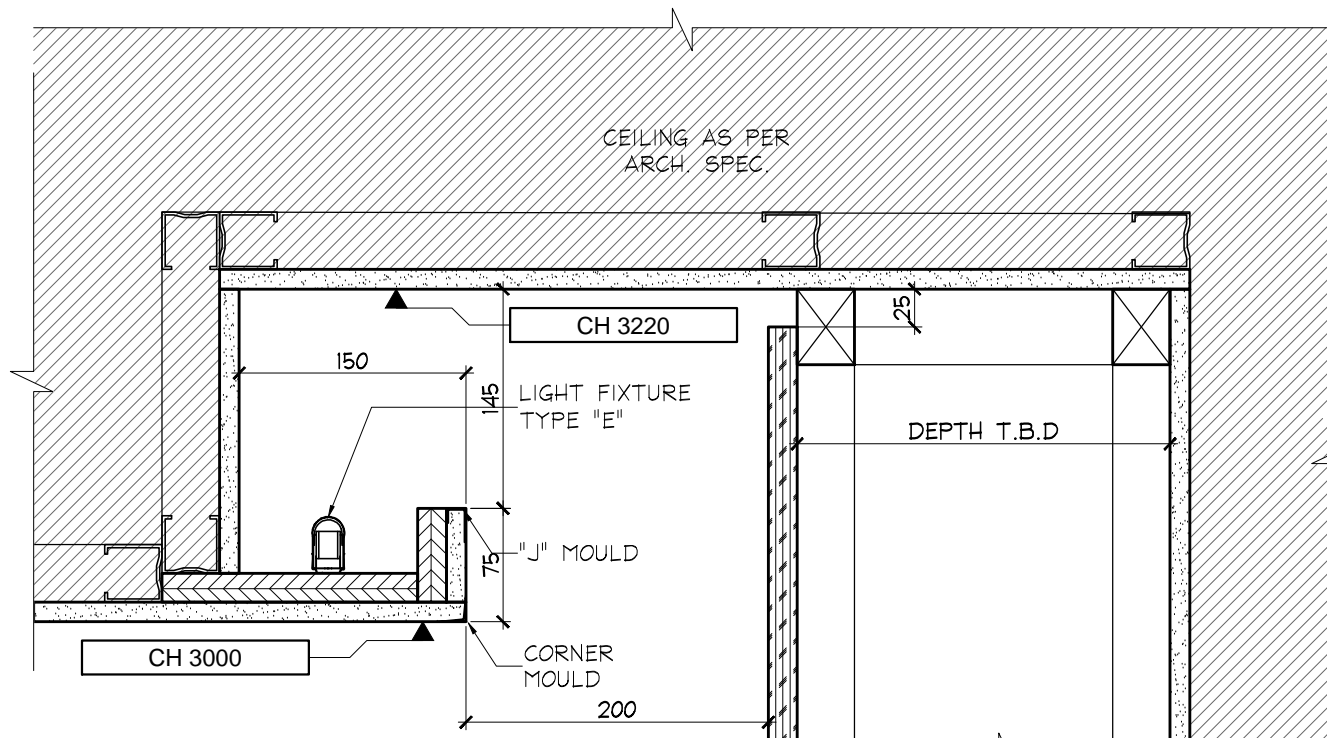
2 CEILING SECTION
EAST VESTIBULE
1ST FLOOR SCALE 1:5



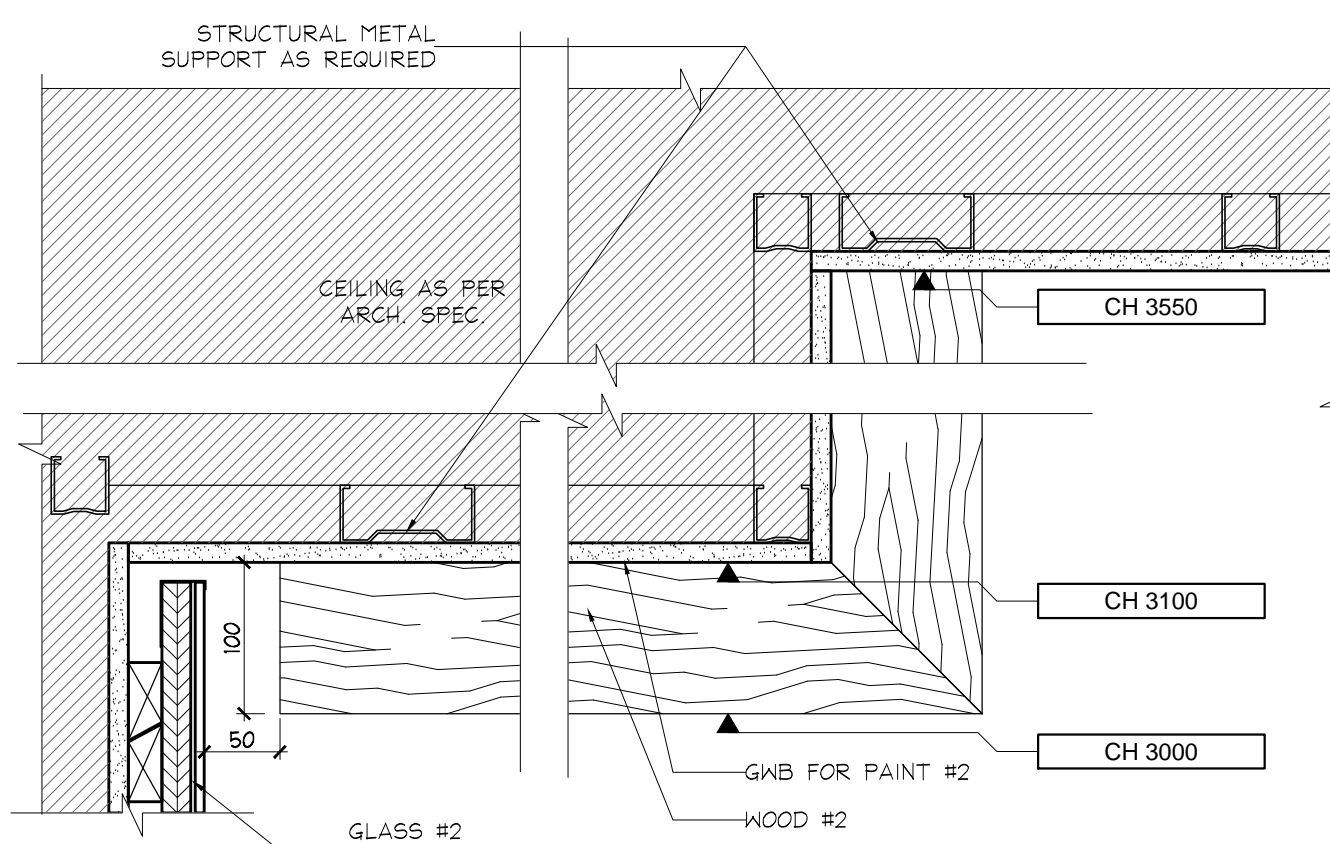
3 CEILING SECTION
EAST VESTIBULE
1ST FLOOR SCALE 1:5



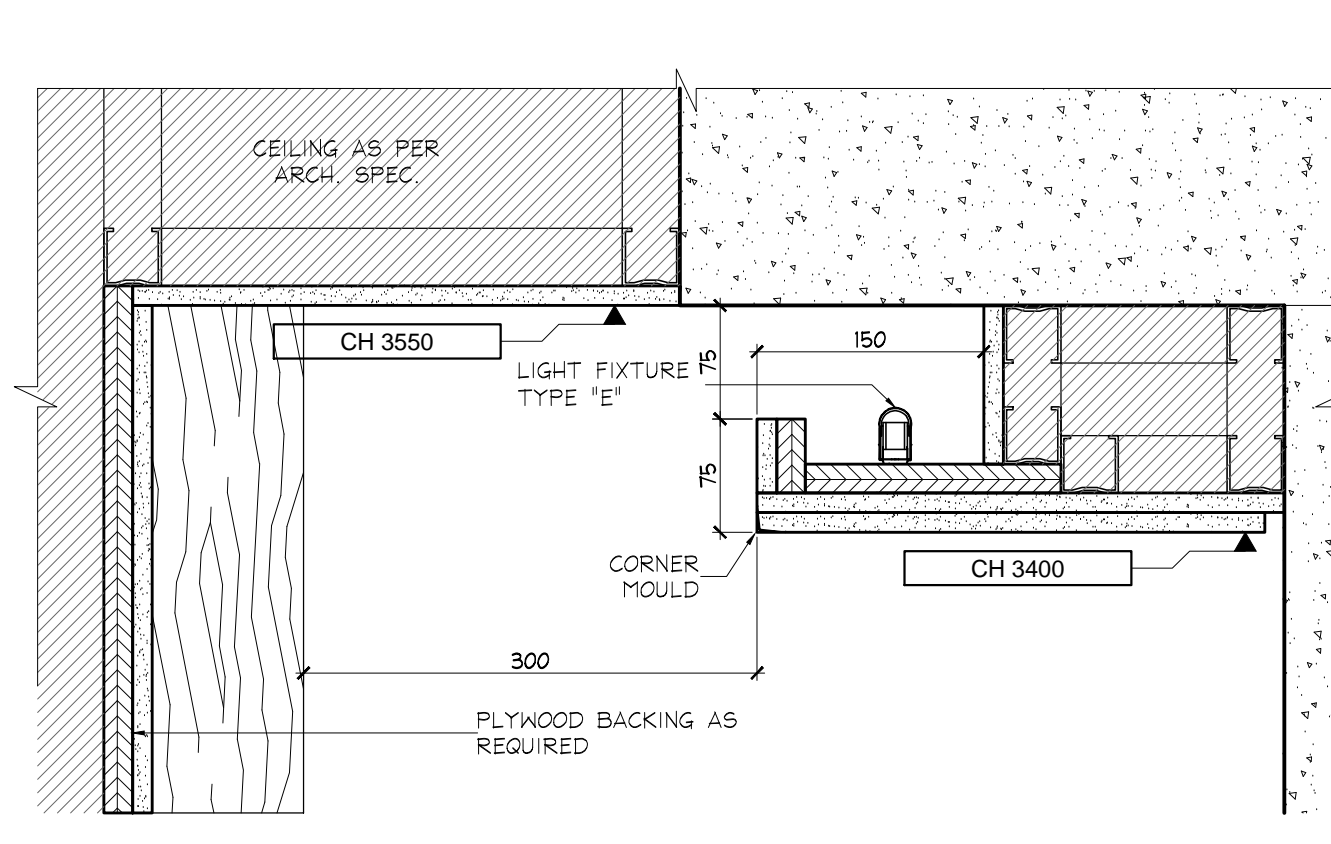
4 SECTION @ EXTERIOR GLAZ
1ST FLOOR SCALE 1:5



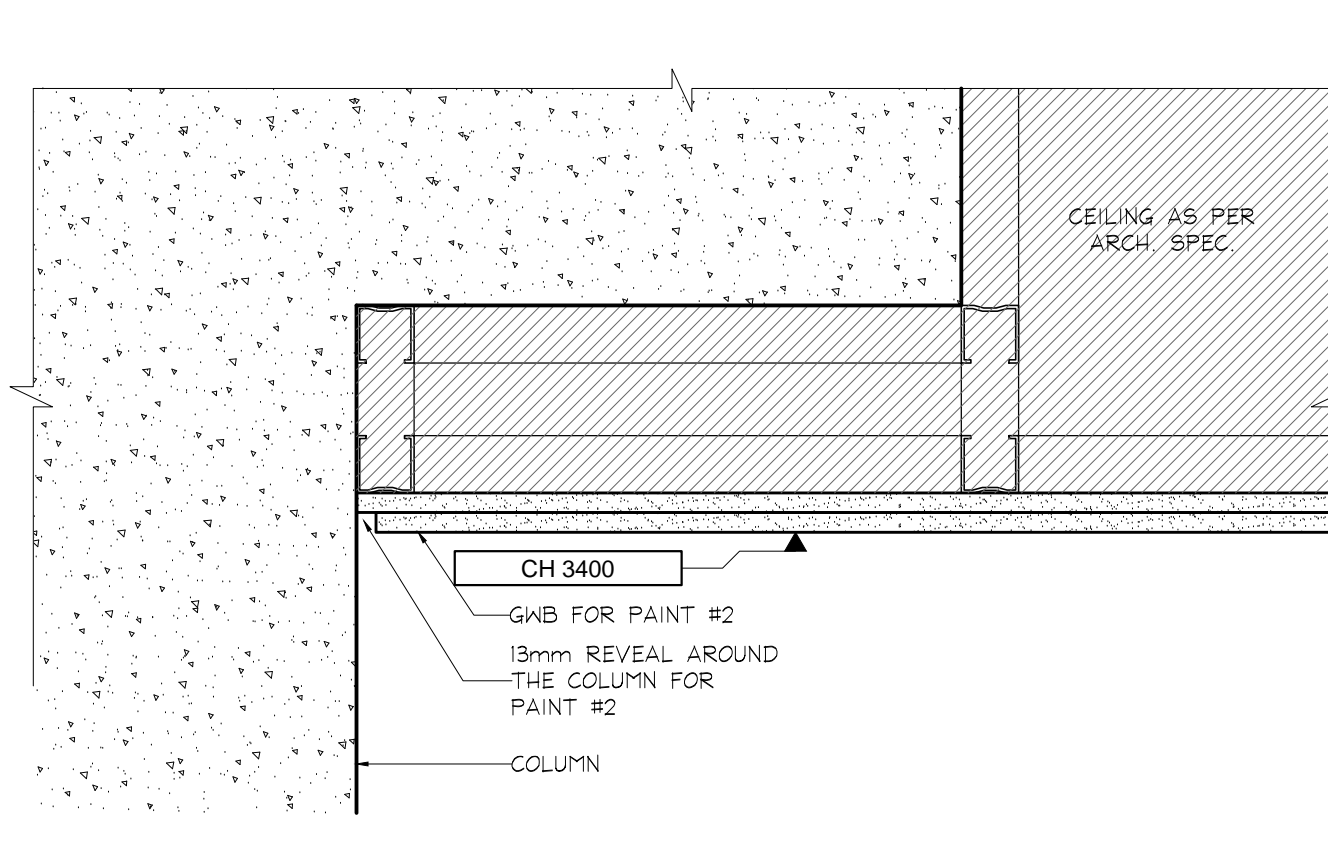
5 SECTION @ FIREPLACE
1ST FLOOR SCALE 1:5



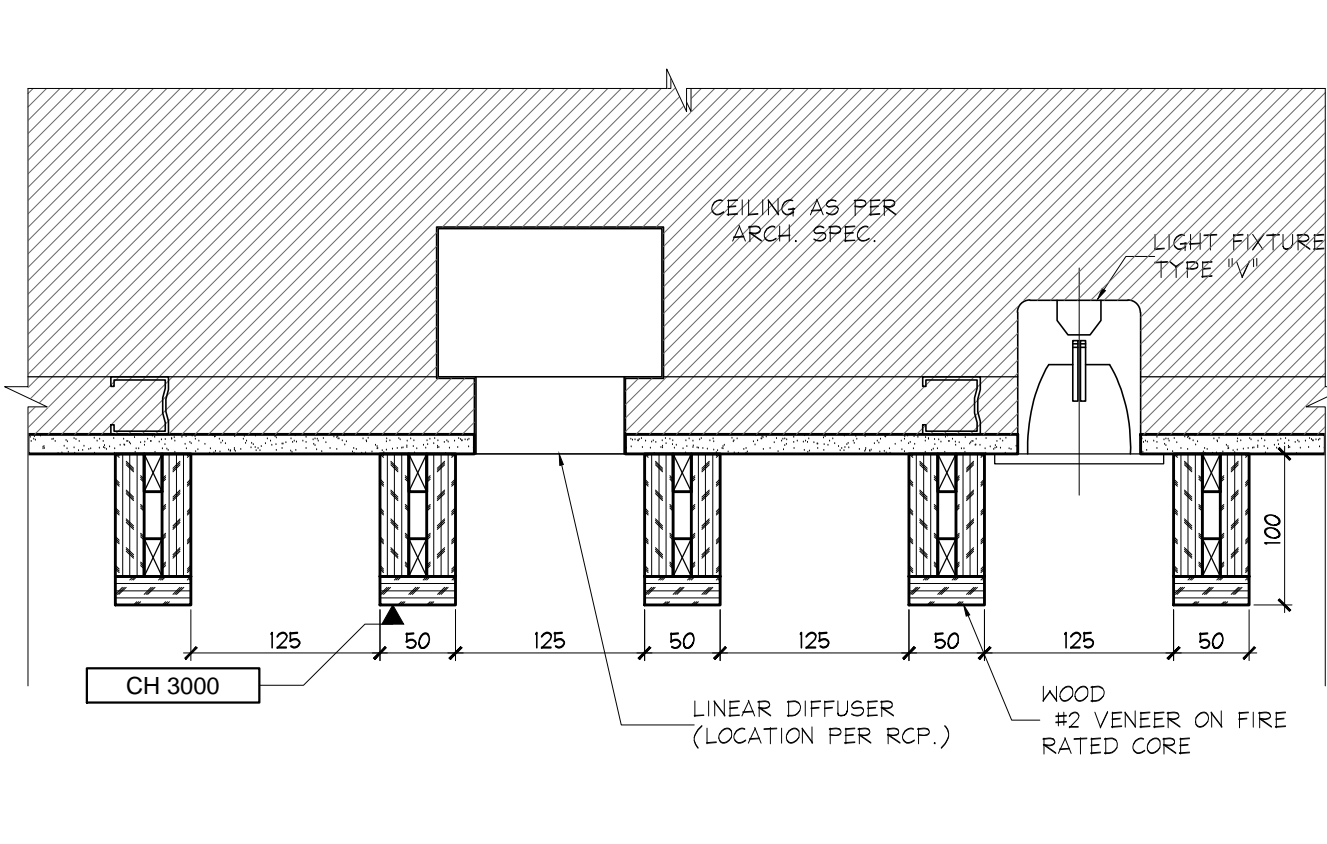
6 BULKHEAD @ CONCIERGE
1ST FLOOR SCALE 1:5



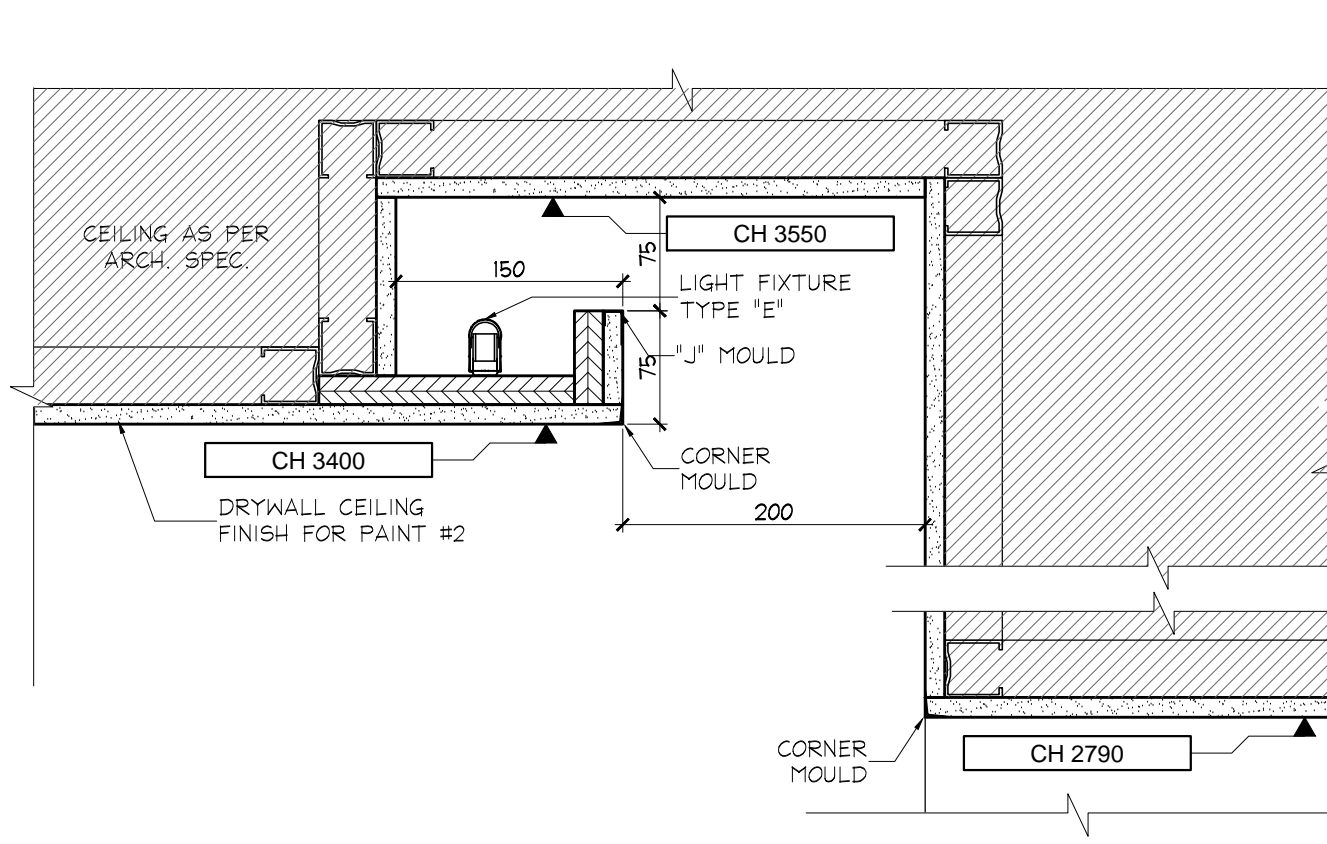
7 BULKHEAD @ CONCIERGE
1ST FLOOR SCALE 1:5



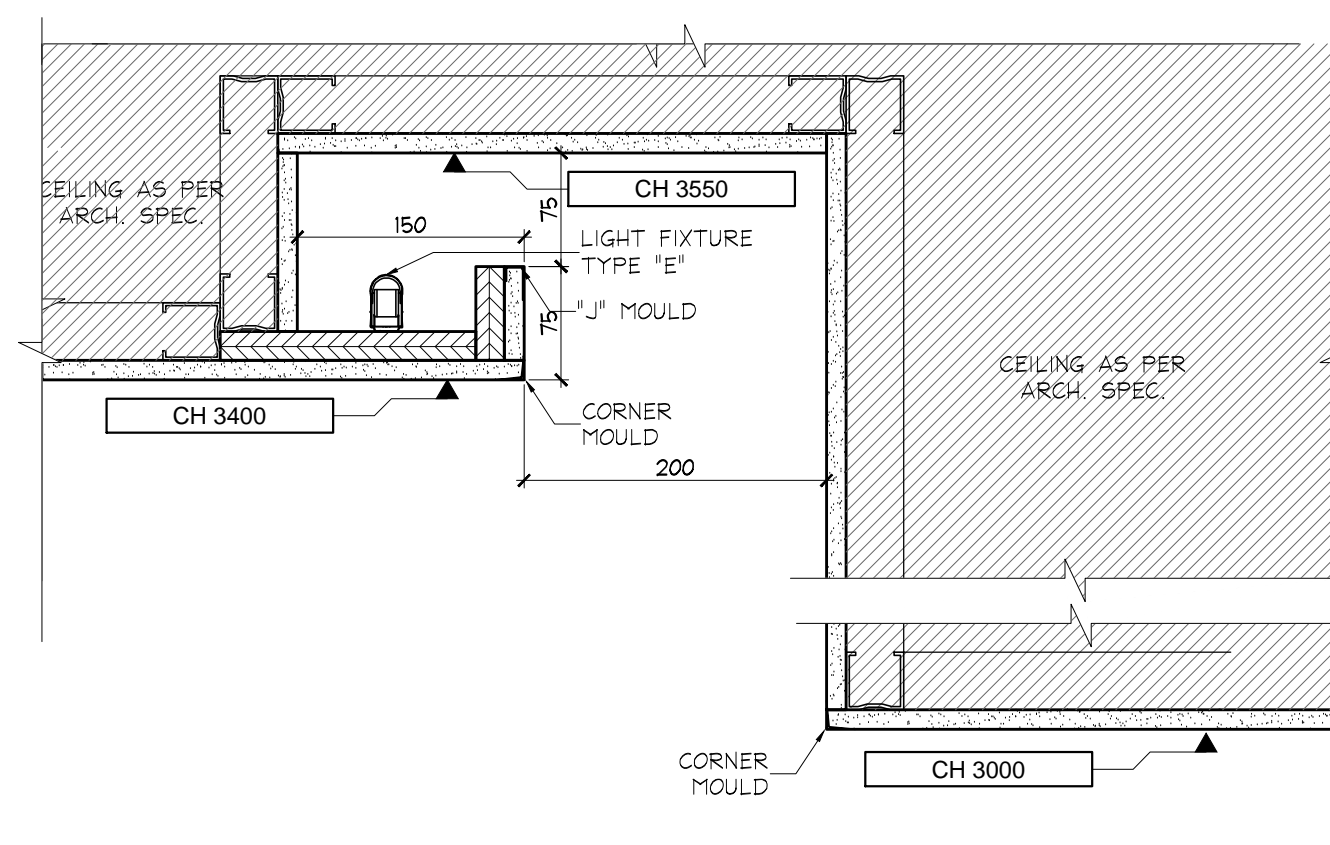
8 BULKHEAD @ CONCIERGE
1ST FLOOR SCALE 1:5



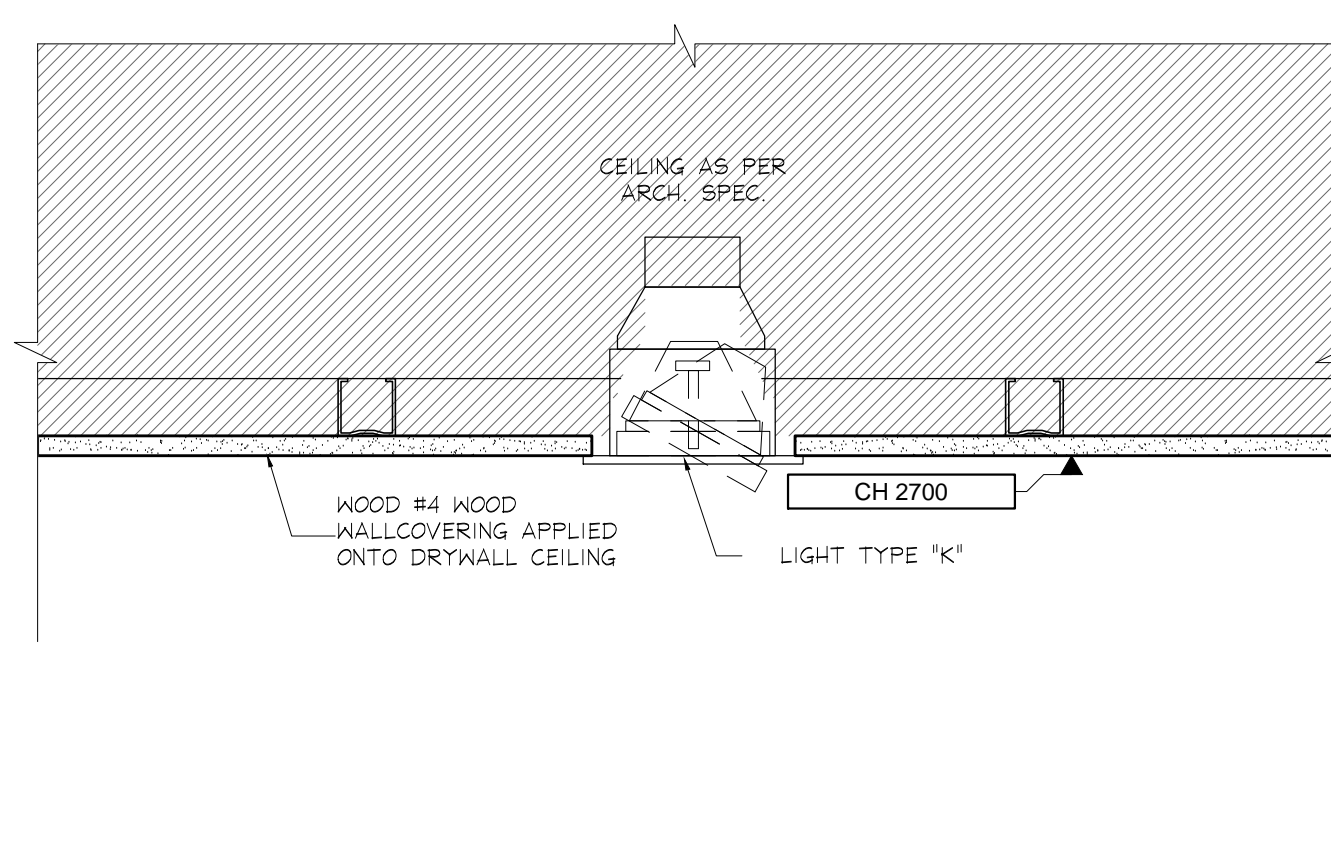
9 SECTION
CEILING DETAIL @ CONCIERGE
1ST FLOOR SCALE 1:5



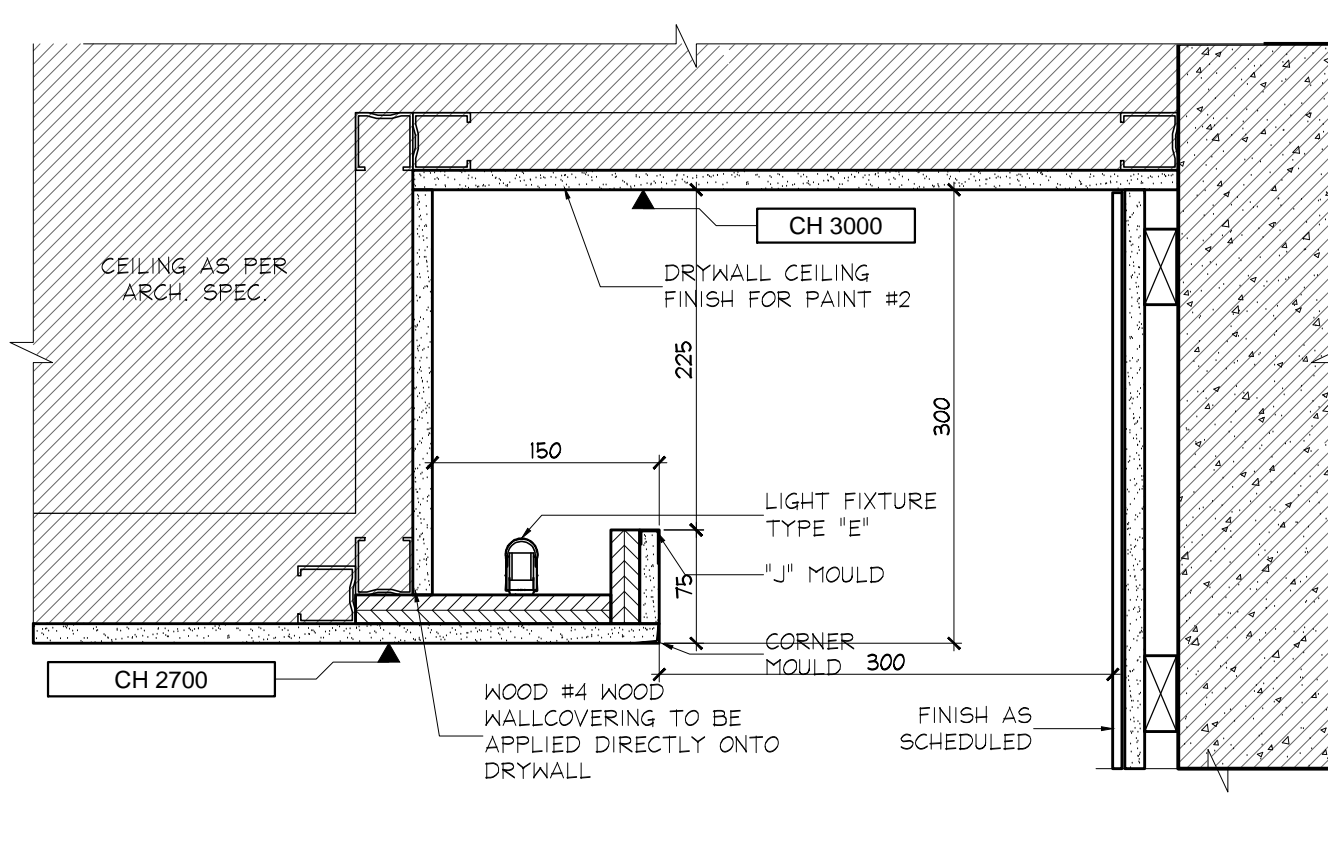
10 SECTION
PARTY ROOM
1ST FLOOR SCALE 1:5



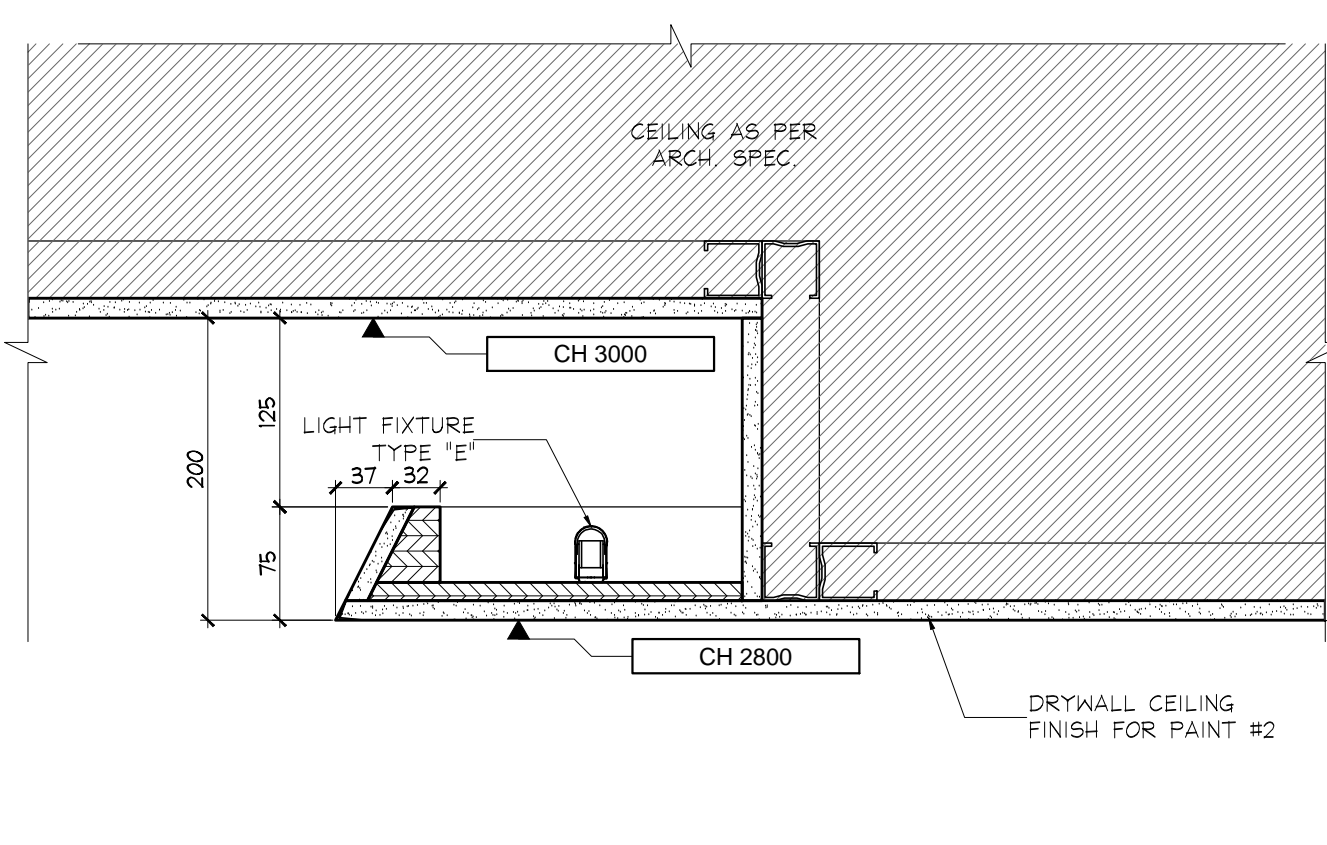
11 SECTION
PARTY ROOM
1ST FLOOR SCALE 1:5



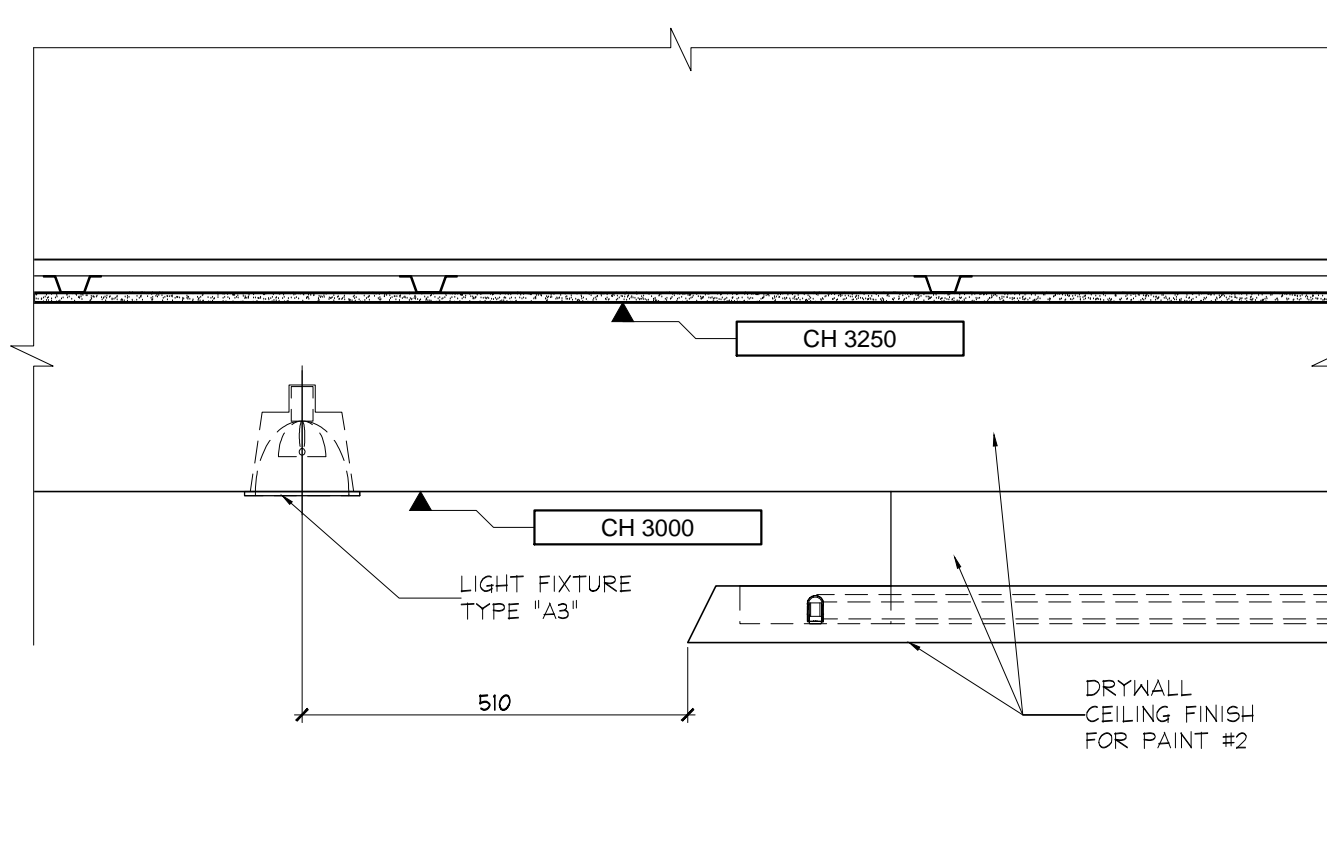
12 LIGHT DETAIL
ELEVATOR LOBBY
1ST FLOOR SCALE 1:5



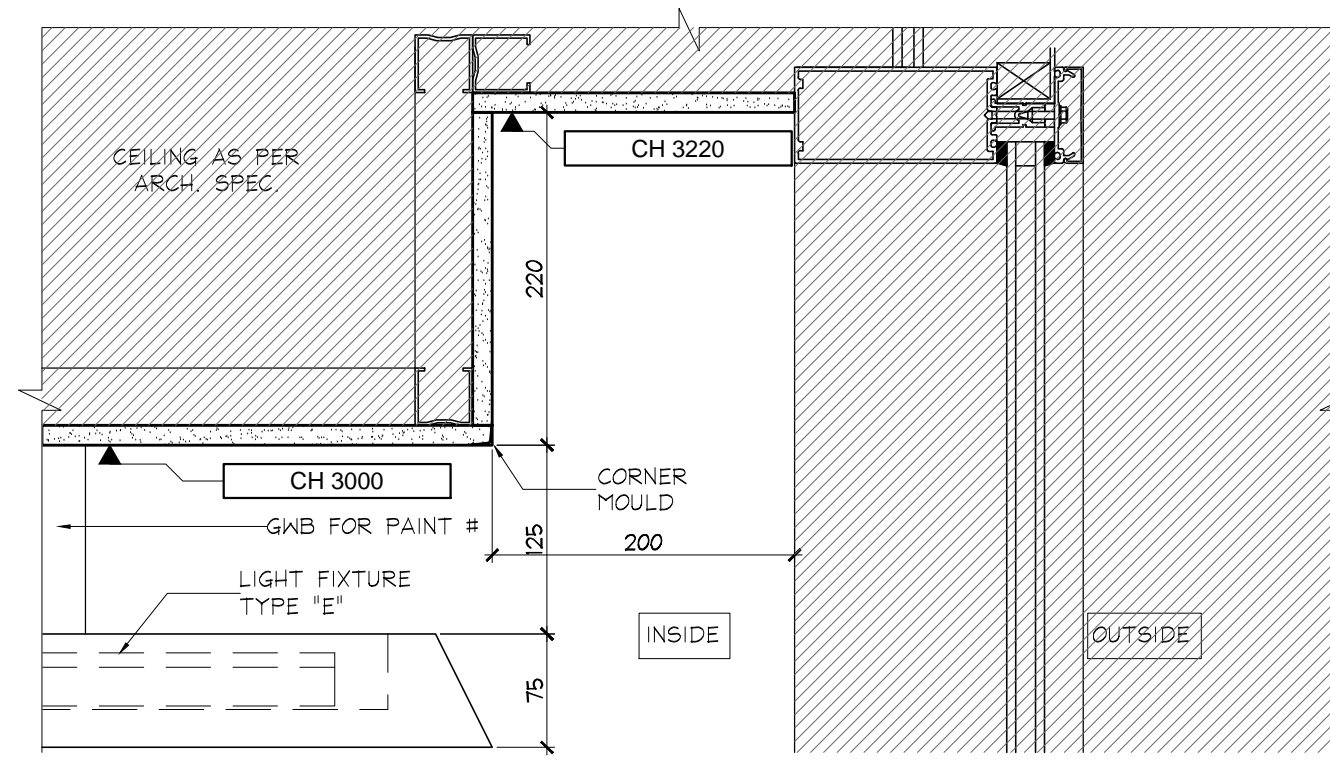
13 SECTION @ ELEVATOR COVE
1ST FLOOR SCALE 1:5



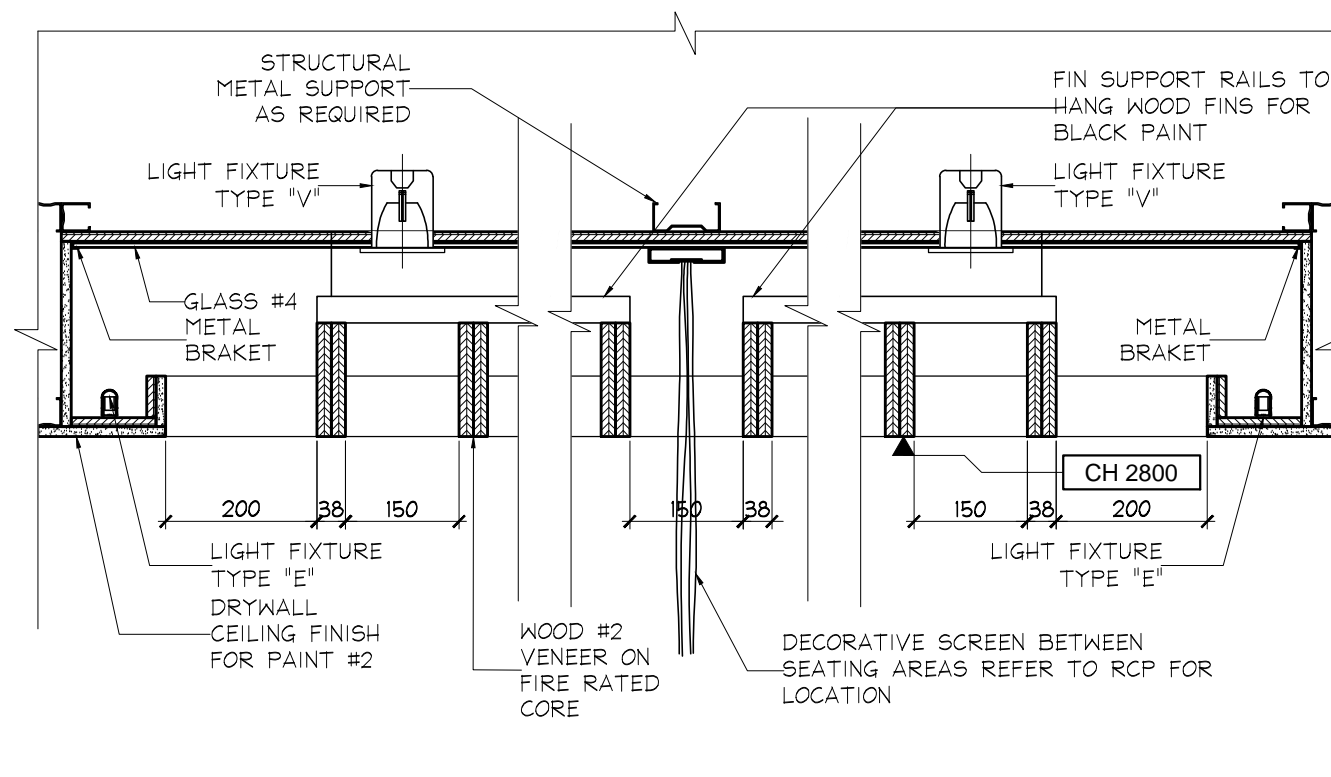
14 CEILING SECTION
PARTY ROOM
1ST FLOOR SCALE 1:5



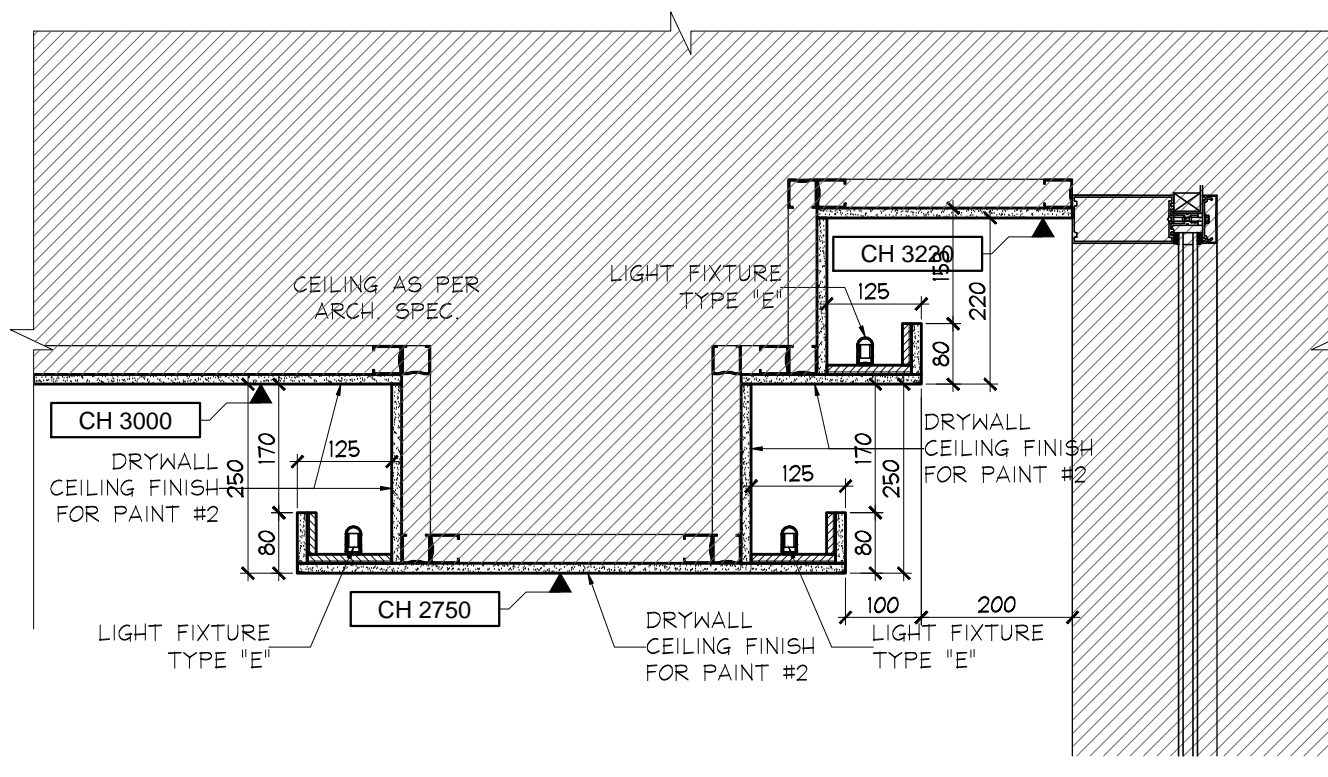
15 CEILING SECTION
PARTY ROOM
1ST FLOOR SCALE 1:10



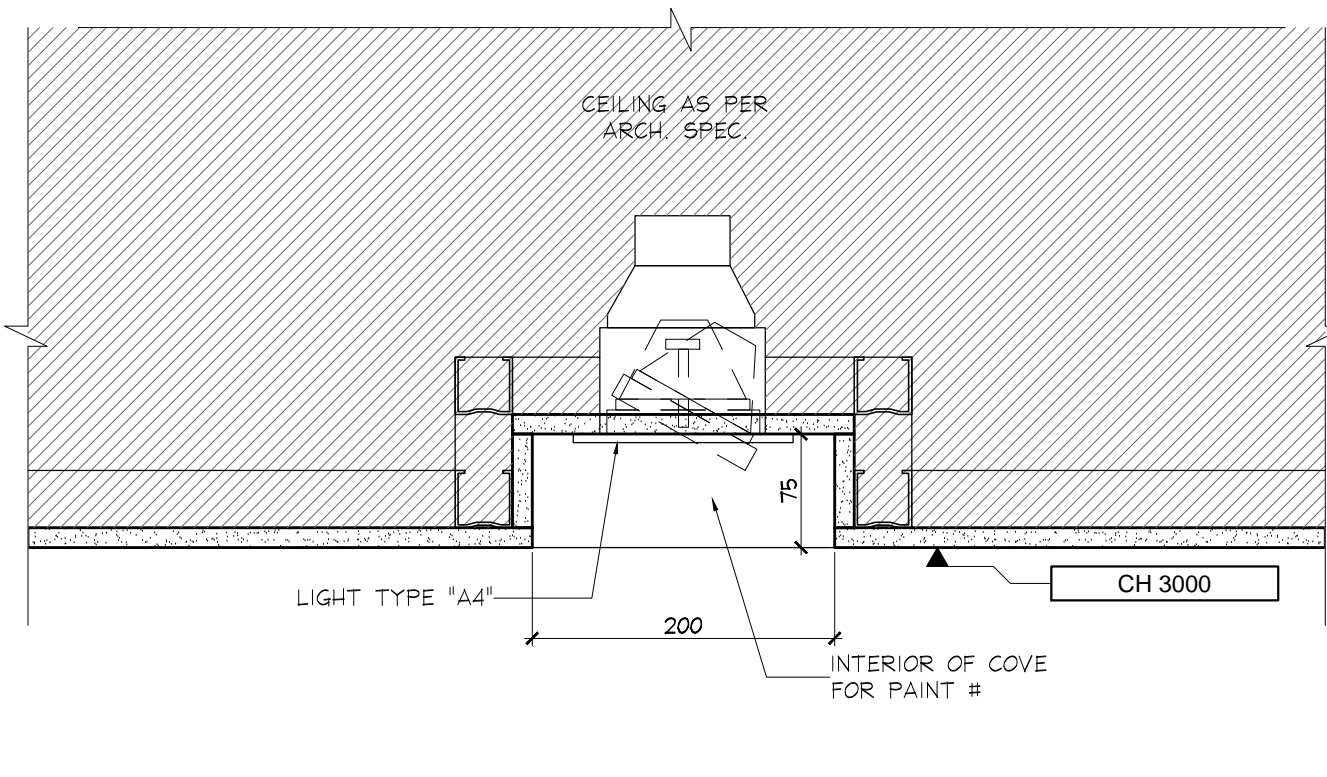
16 CEILING SECTION
PARTY ROOM
1ST FLOOR SCALE 1:5



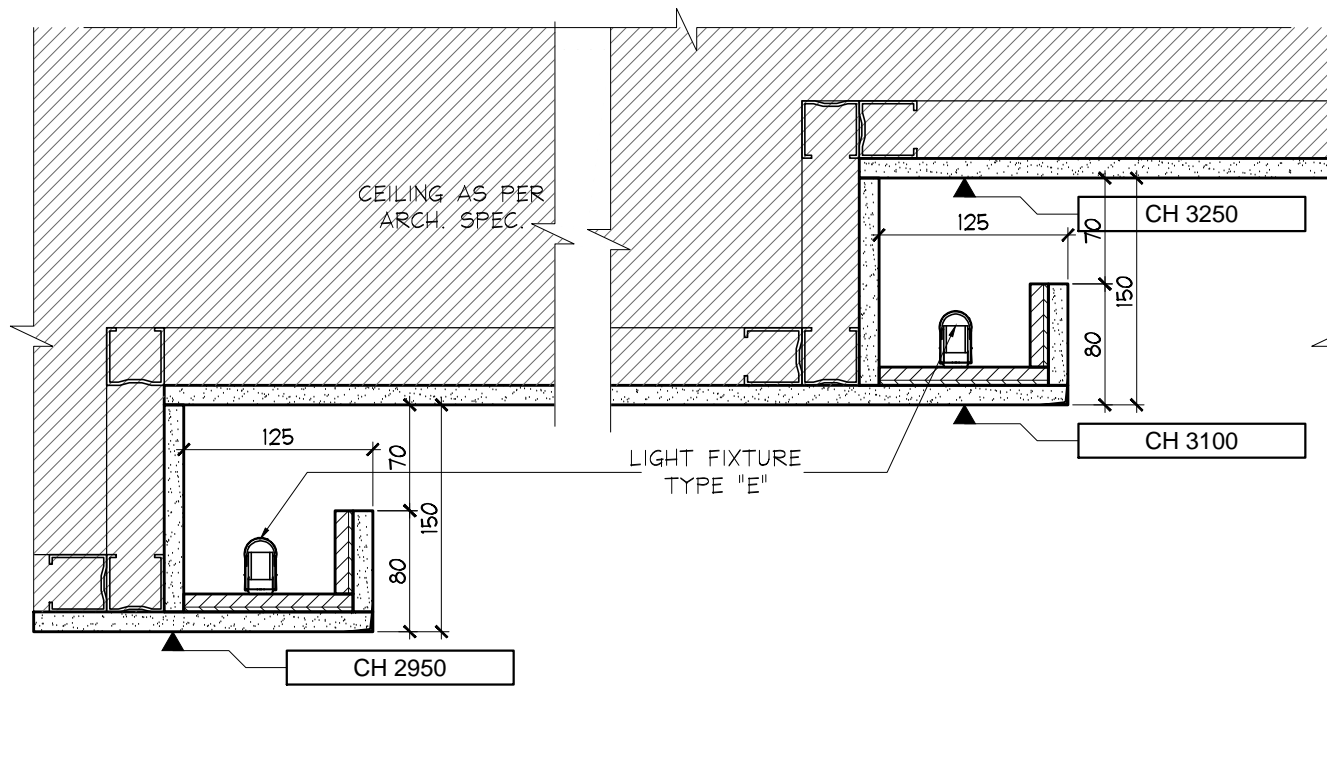
17 CEILING SECTION
PARTY ROOM
1ST FLOOR SCALE 1:10



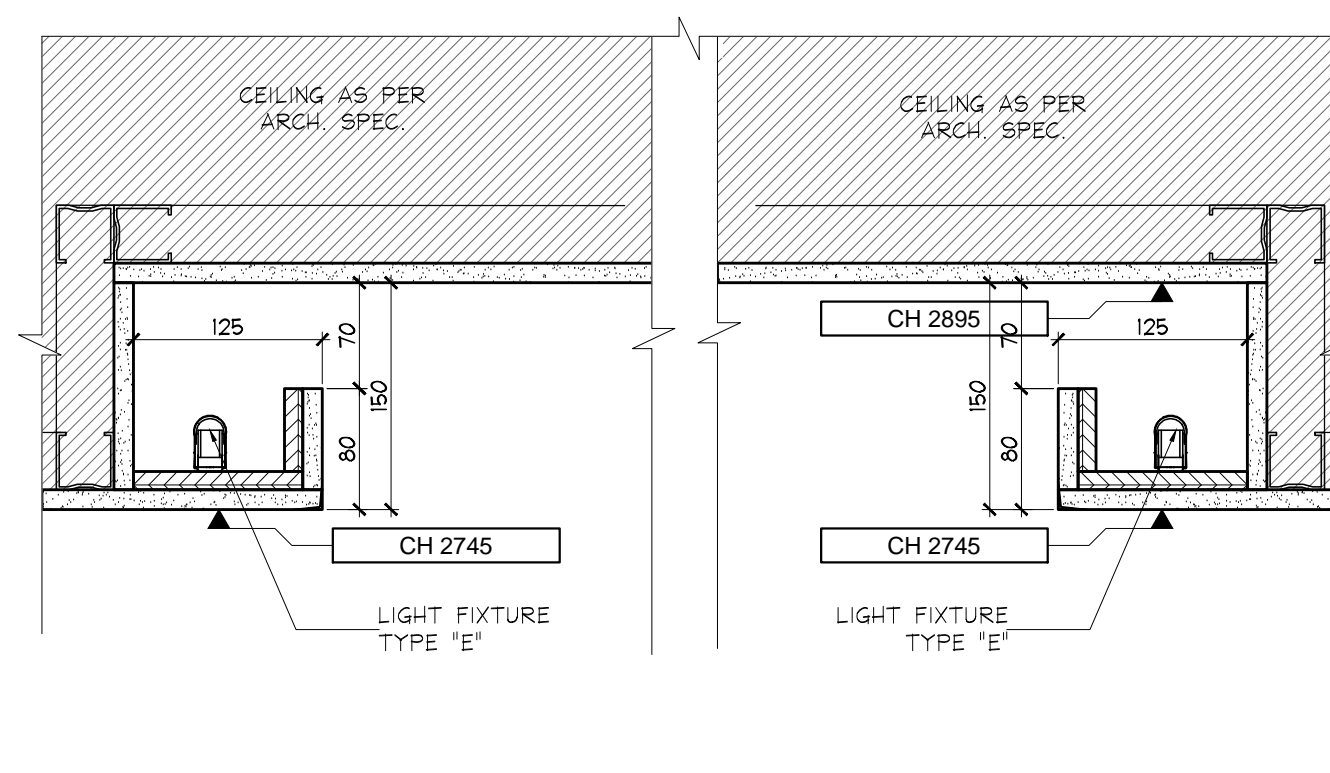
18 CEILING SECTION
FITNESS AREA
1ST FLOOR SCALE 1:10



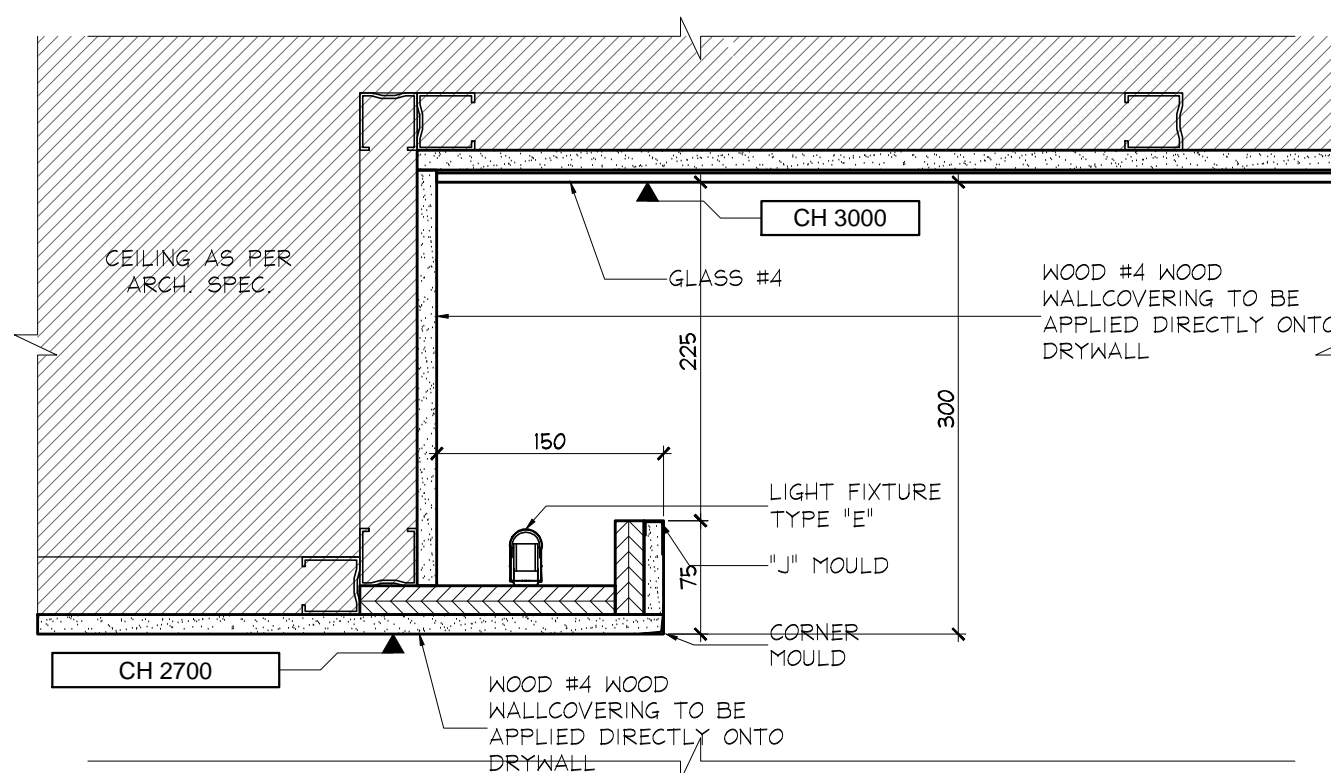
19 CEILING SECTION
FITNESS AREA
1ST FLOOR SCALE 1:5



20 CEILING SECTION
THEATRE
1ST FLOOR SCALE 1:5



21 CEILING SECTION
PROPERTY MANAGEMENT OFFICE
1ST FLOOR SCALE 1:5



22 SECTION @ CORRIDOR 'D' COVE
1ST FLOOR SCALE 1:5

NO	DATE	COMMENTS	INI
16	21 JAN / 16	ISSUED FOR PAINT / WALLPAPER TENDER	CB
14	8 SEPT / 15	ISSUED FOR TRIM CARPENTRY	CB
		ADDENDUM 2 / SITE INSTRUCTION #2	CB
13	24 AUG / 15	RE- ISSUED FOR DRYWALL TENDER	CB
12	21 AUG / 15	ISSUED FOR TRIM CARPENTRY ADDENDUM 1	CB
11	20 AUG / 15	ISSUED FOR DRYWALL TENDER	CB
10	15 JULY / 15	ISSUED FOR TRIM CARPENTRY TENDER	CB
09	16 JUNE / 15	ISSUED FOR FINISH CARPENTRY	CB
03	06 MAR / 15	ISSUED FOR TILE TENDER	AP
02	26 JAN / 15	ISSUED FOR TENDER	AP
01	22 AUG / 14	ISSUED FOR PERMIT	AP

UNOBI 31

UNOBI 31 INC.
183 BATHURST STREET, STE. 201
TORONTO, ON, M5T 2R7, CANADA
TEL: 416-597-1576 FAX: 416-597-2139

PROJECT NAME:
**ALEXANDRA PARK
MAIN BUILDING**
BLOCK 11
ON, Canada

PROJECT NO.:
13-949

DRAWINGS:
CEILING DETAILS

DATE STARTED: 07 AUG / 13
SCALE: AS NOTED
DRAWN BY: GG
APPROVED BY: KC

DRAWING NO.:
ID
3.1.0