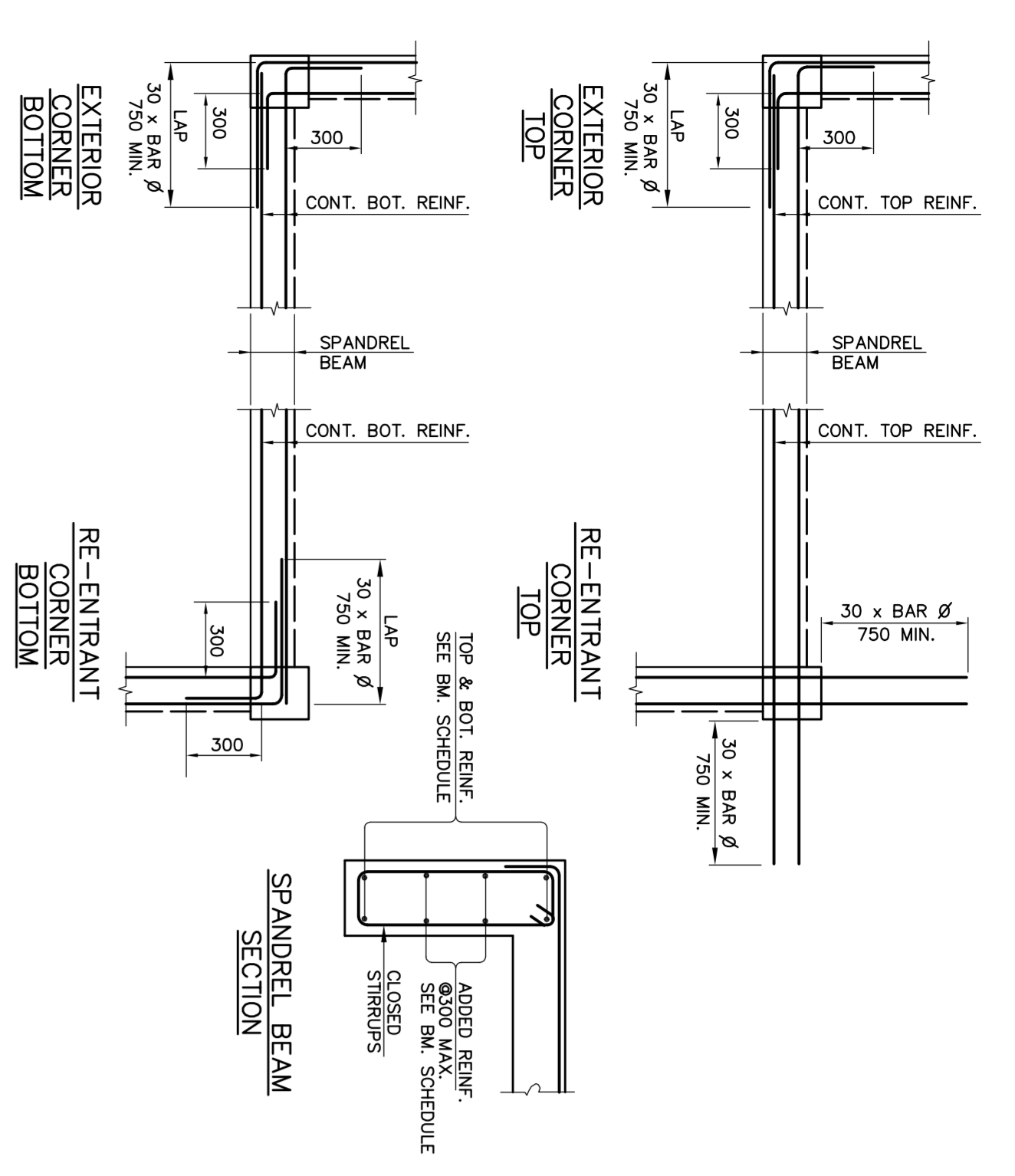
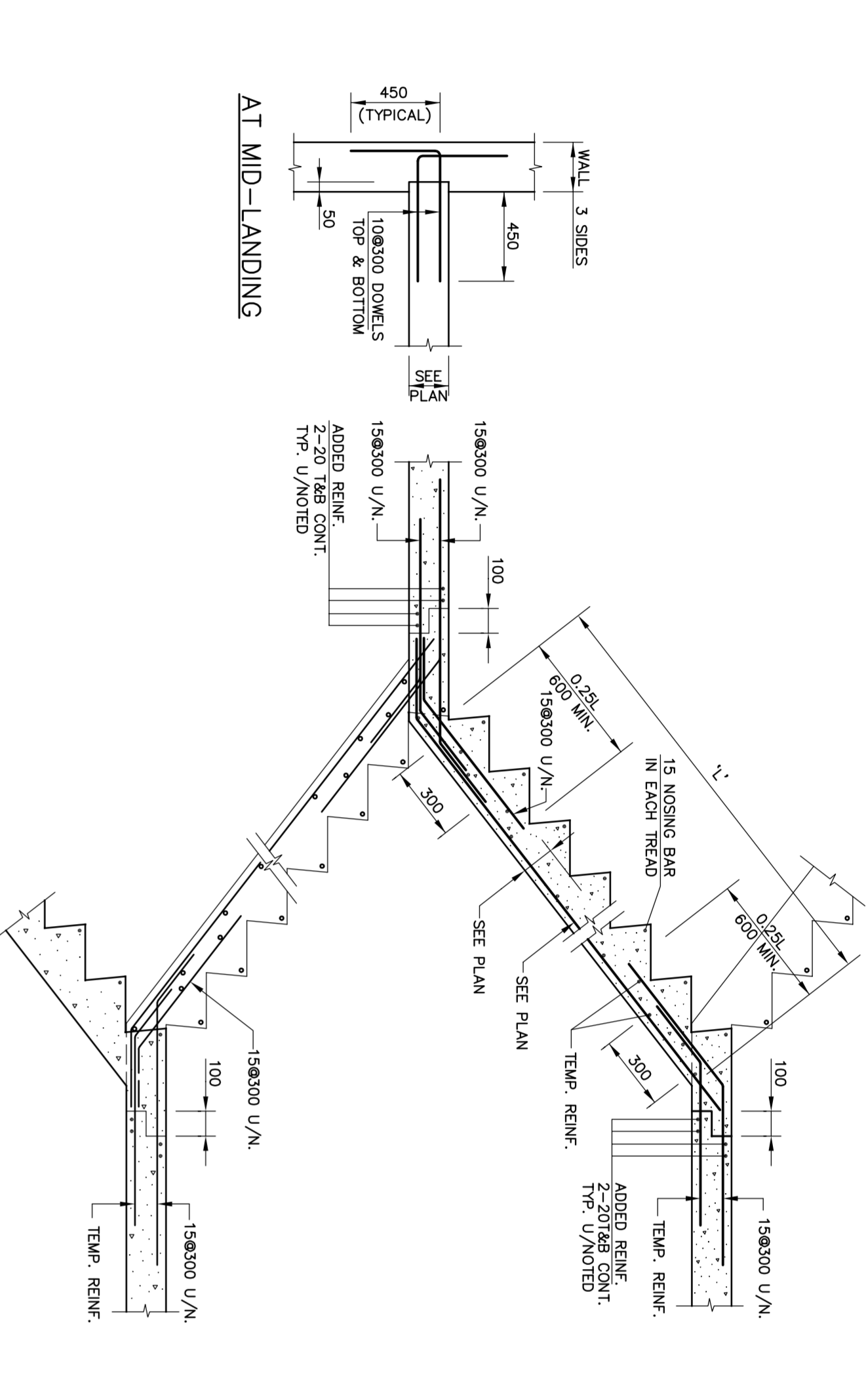


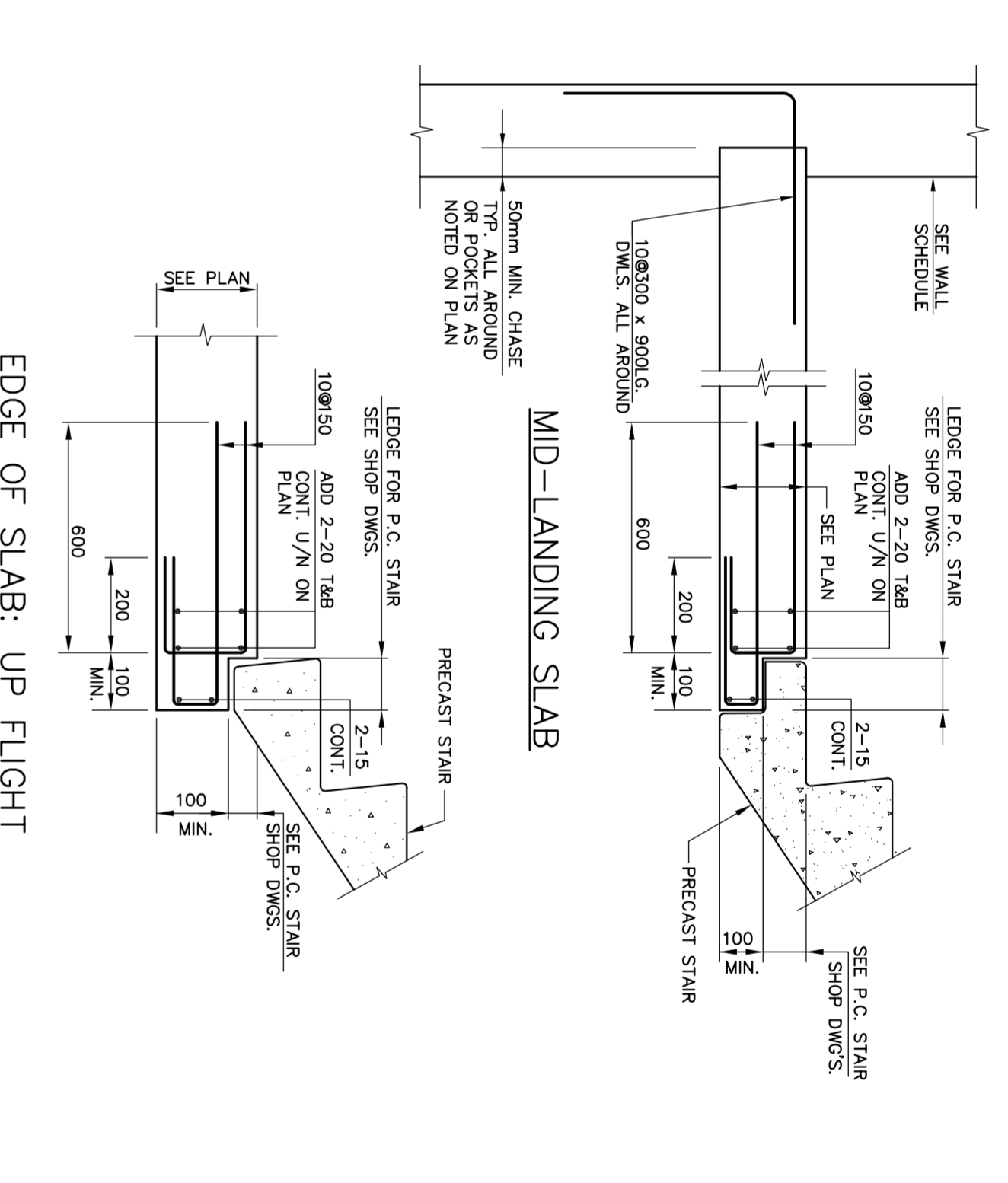
601 TYPICAL ARRANGEMENT OF SPANDREL BEAMS REINF.



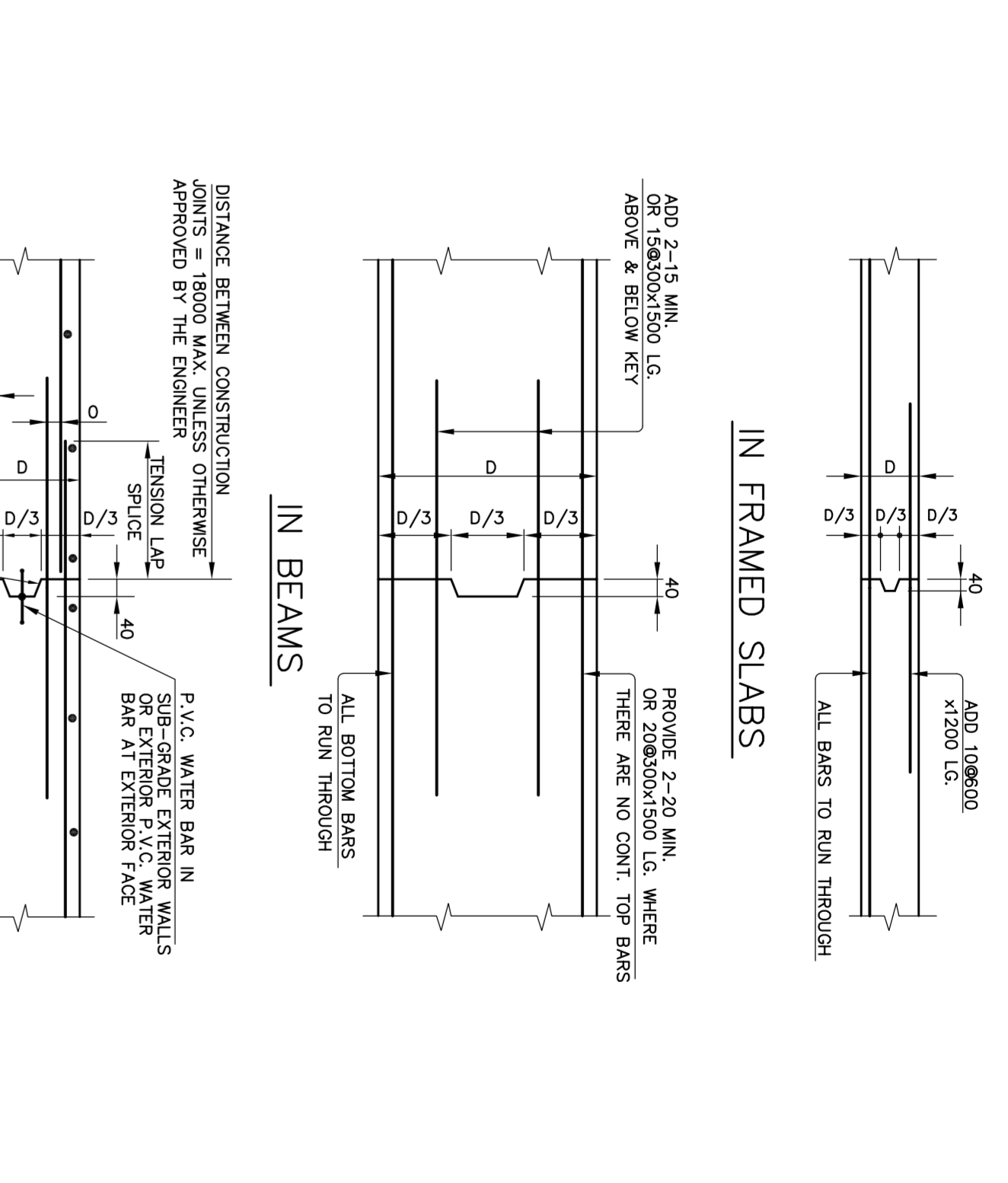
700 TYPICAL CONCRETE STAIRS DETAILS



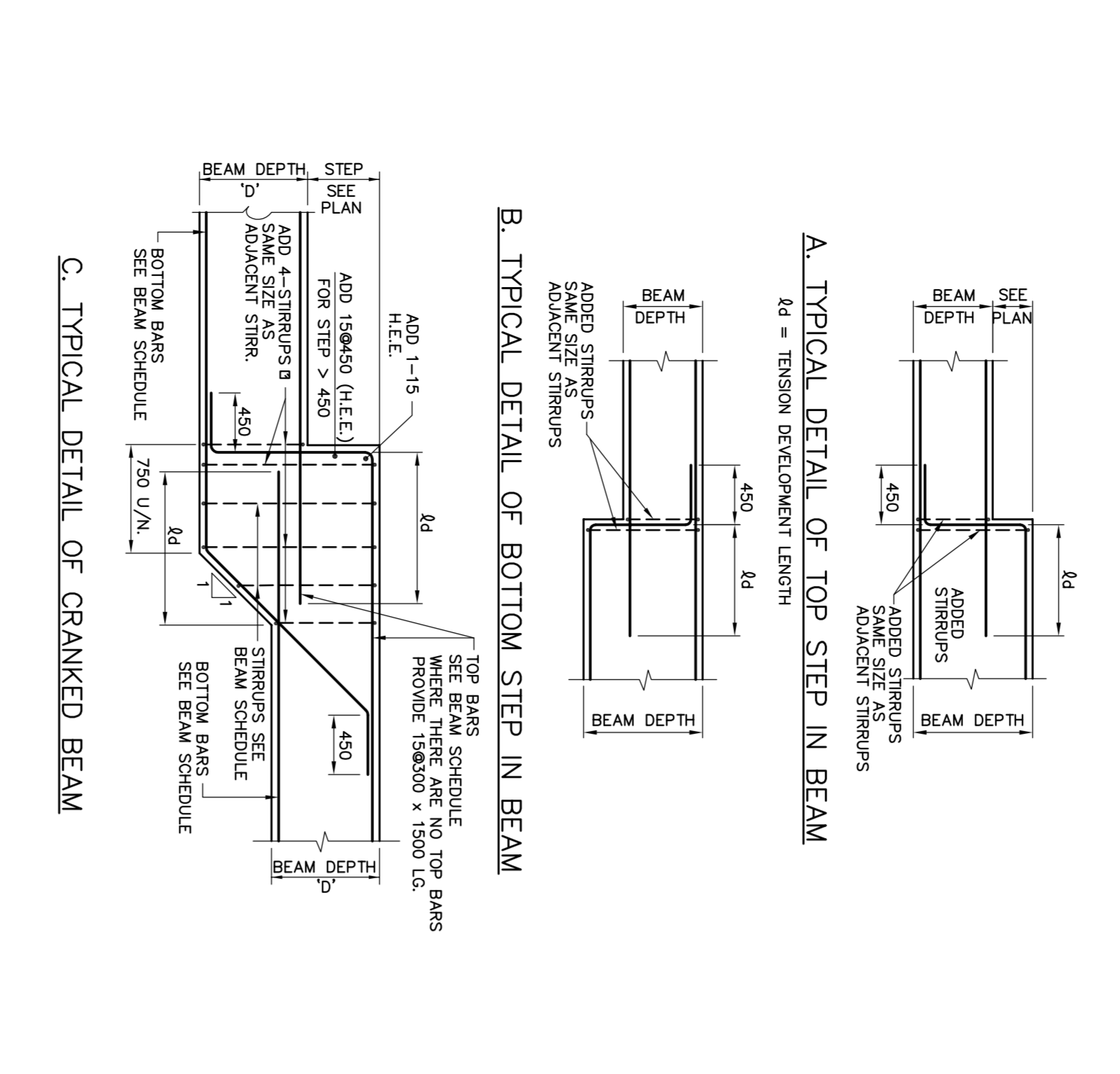
702 TYPICAL PRECAST STAIRS DETAILS



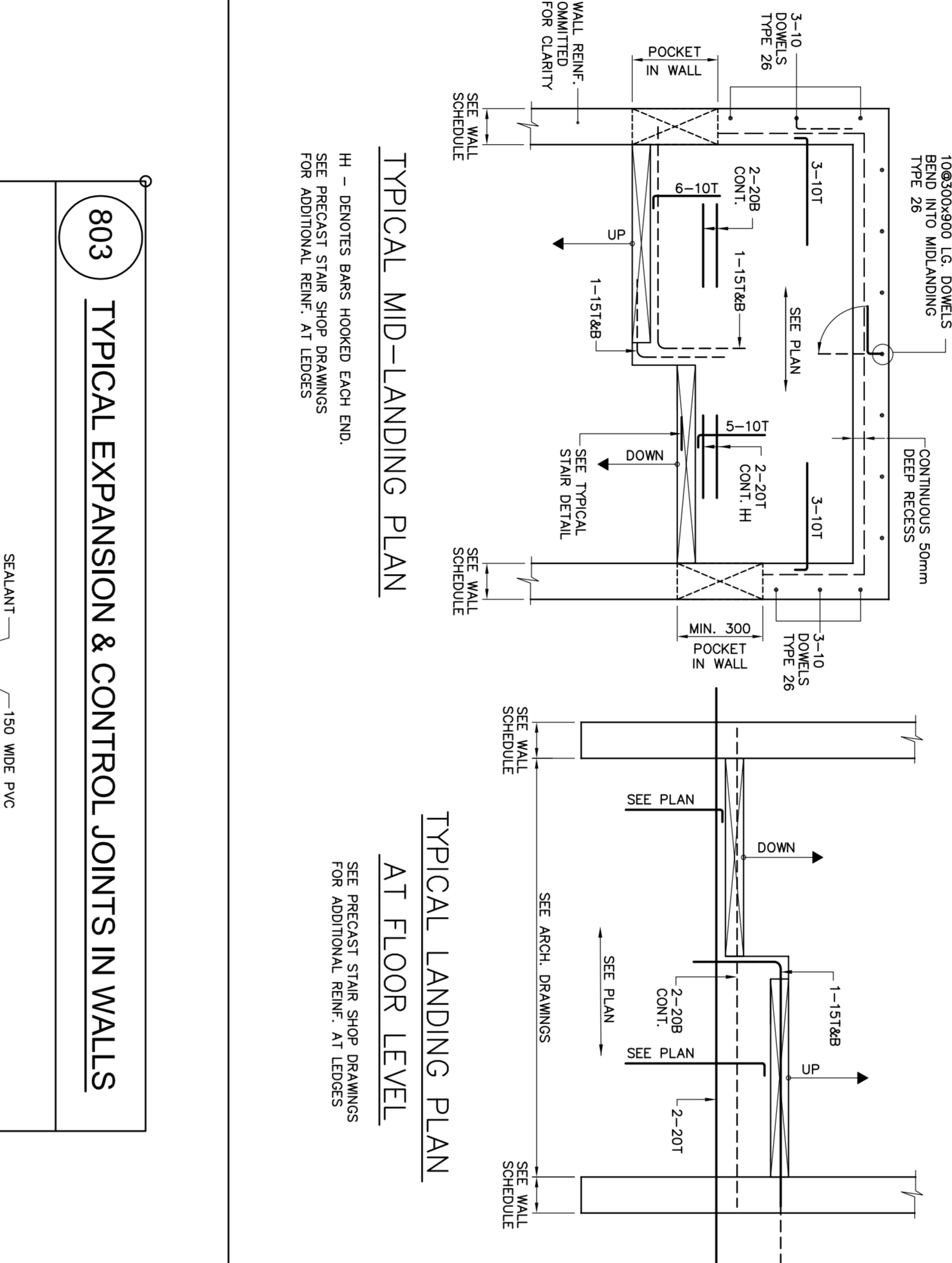
800 TYPICAL CONSTRUCTION JOINTS DETAILS



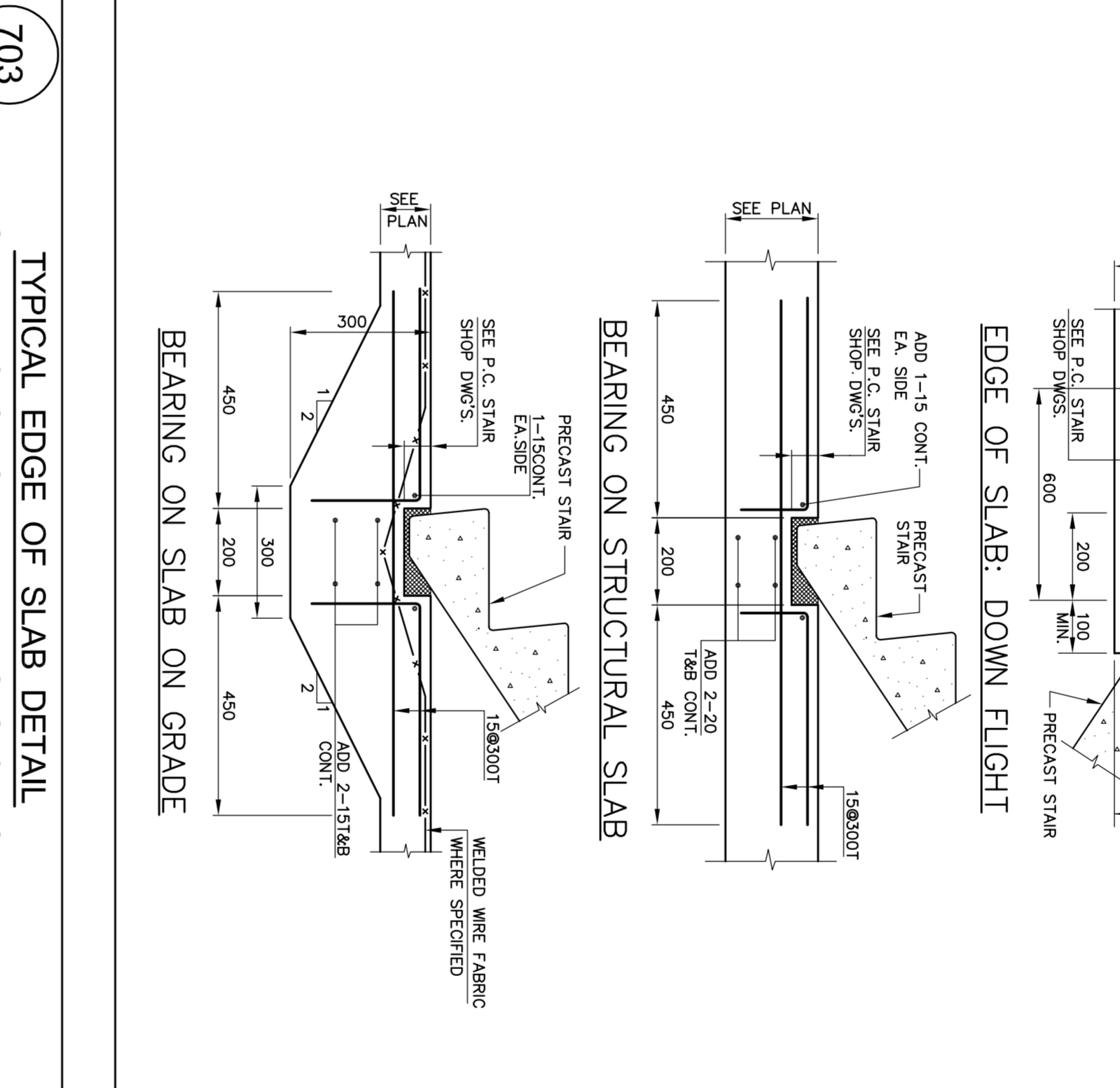
602 TYPICAL DETAILS OF STEPPED/CRANKED BEAMS



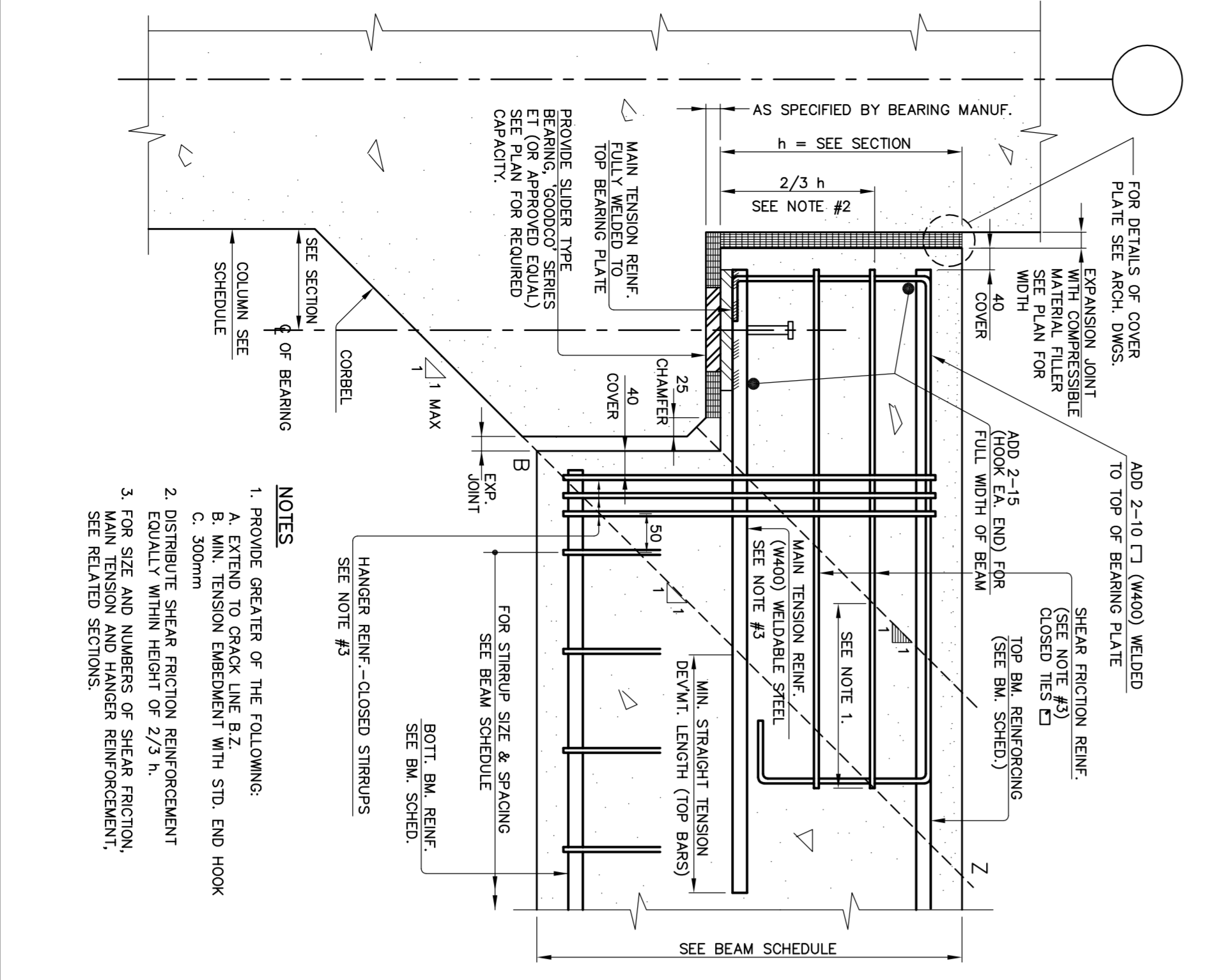
701 TYPICAL LANDING PLANS FOR PRECAST STAIRS



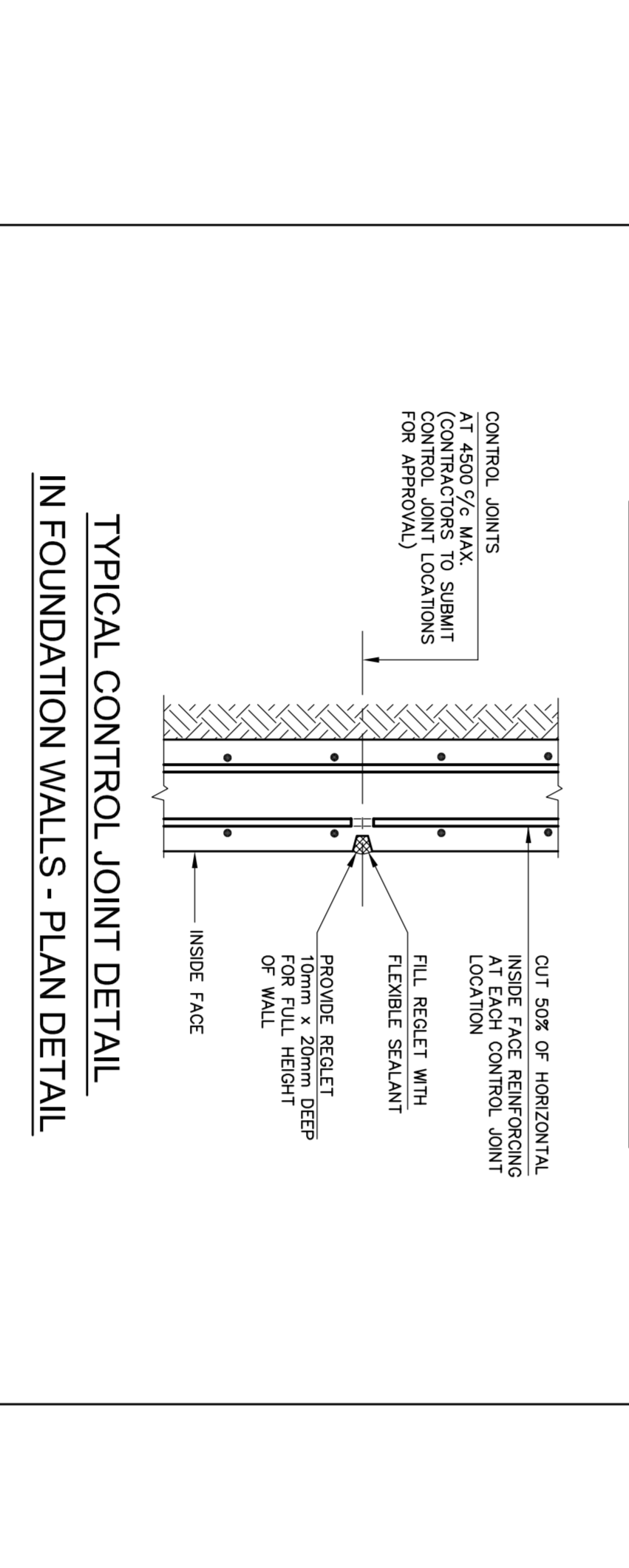
801 TYPICAL CLOSURE STRIPS DETAILS



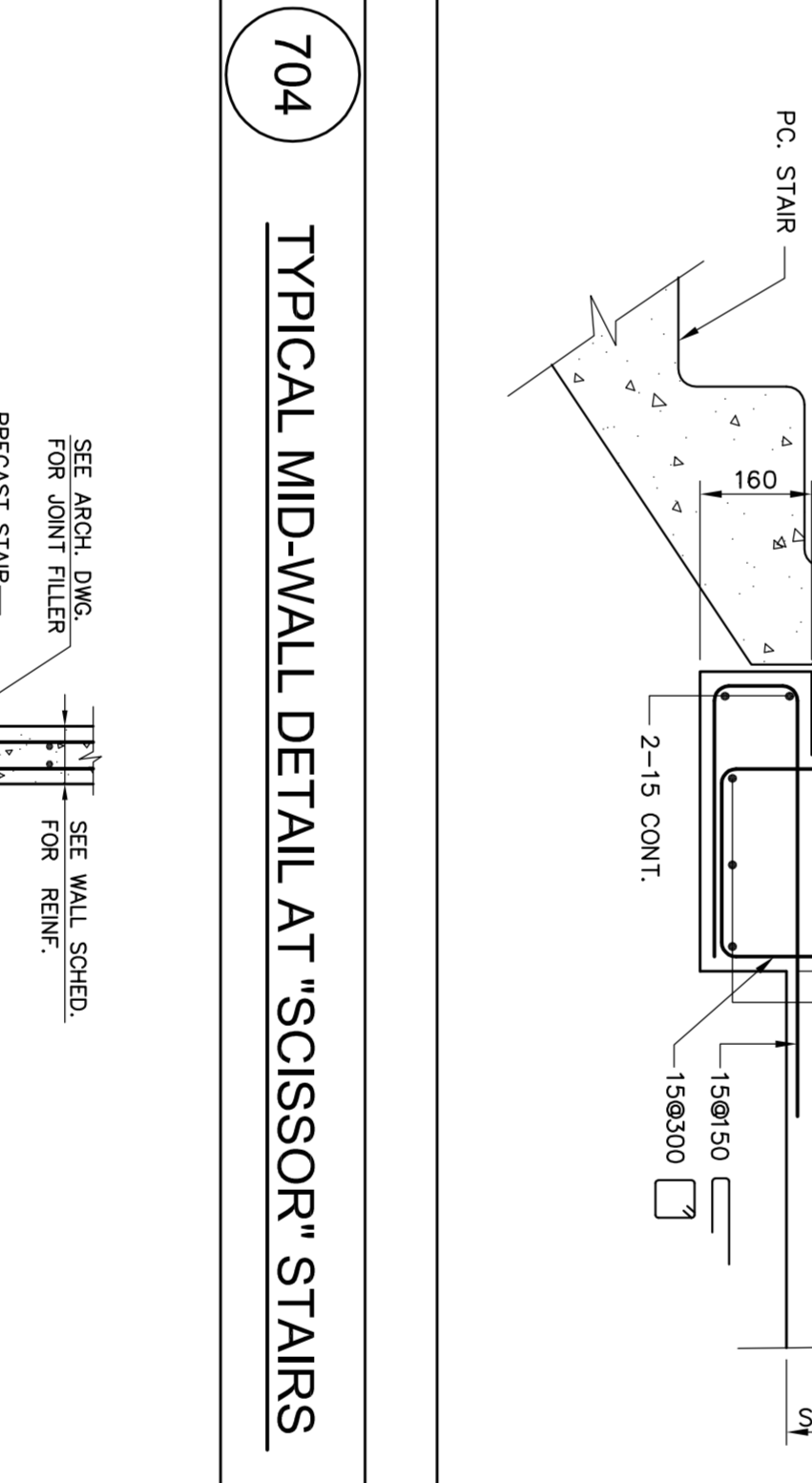
603 TYPICAL DETAILS OF DAPPED-END BEAMS



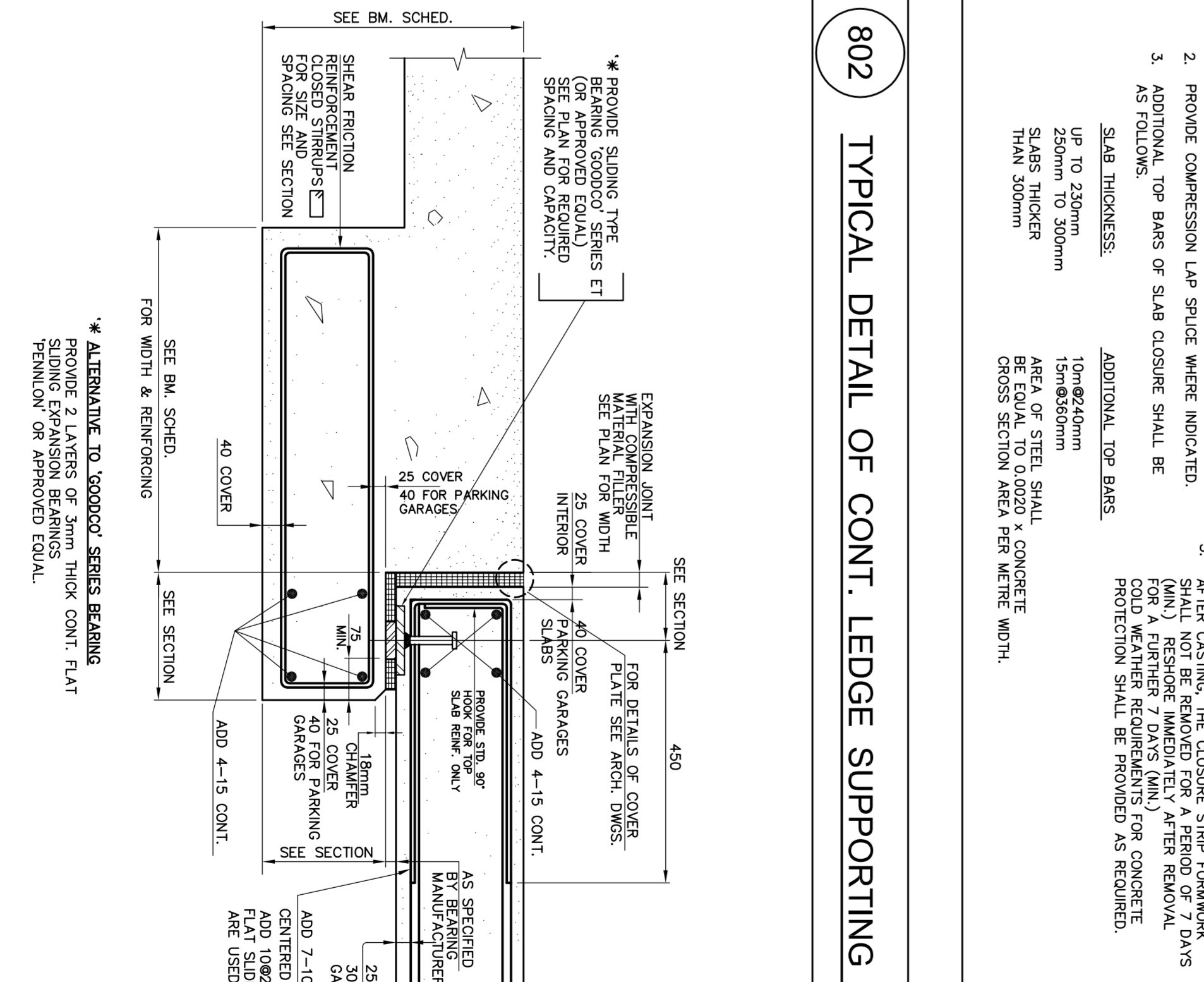
803 TYPICAL EXPANSION & CONTROL JOINTS IN WALLS



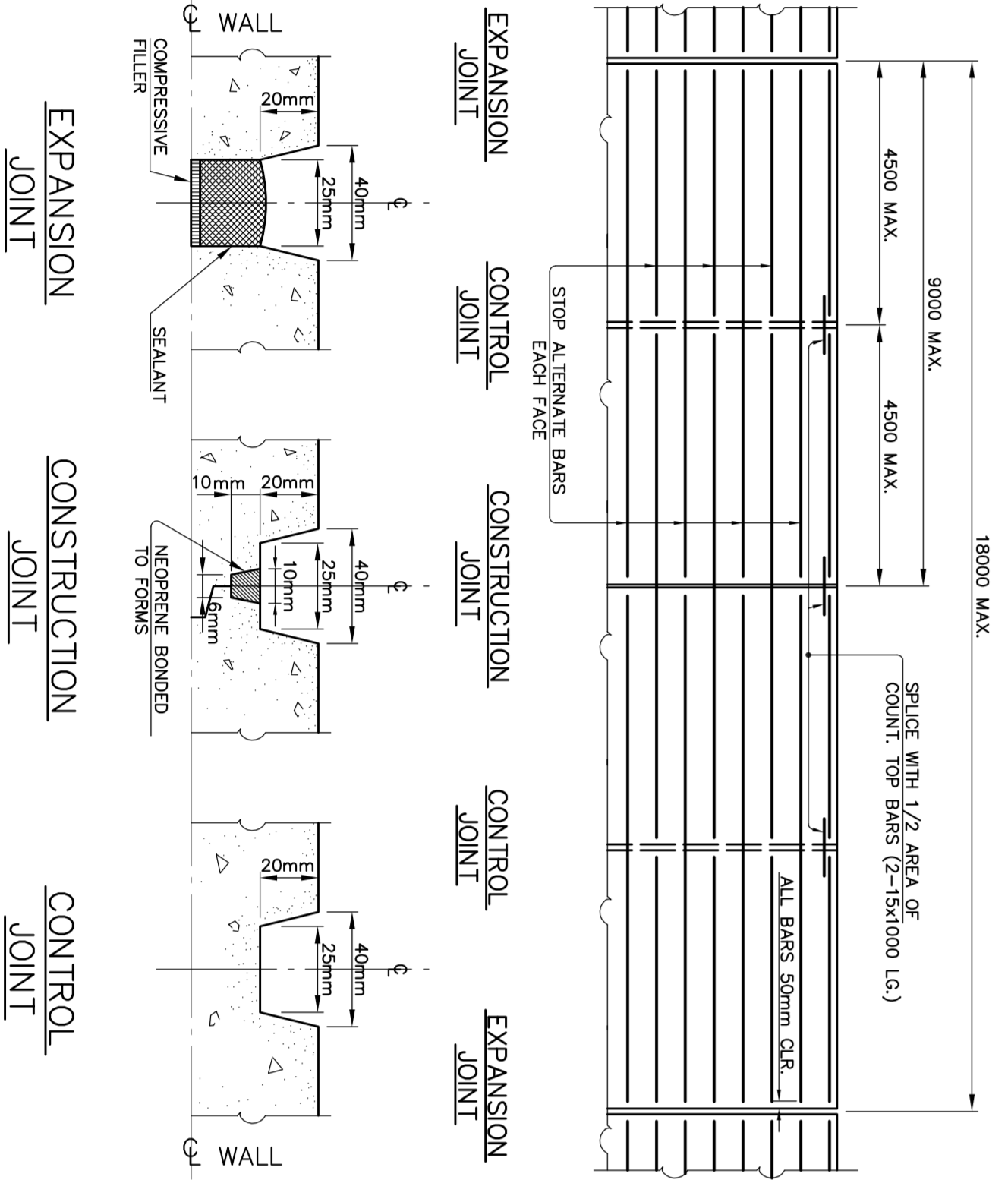
703 TYPICAL EDGE OF SLAB DETAIL FOR PRECAST STAIR RISERS & MORE



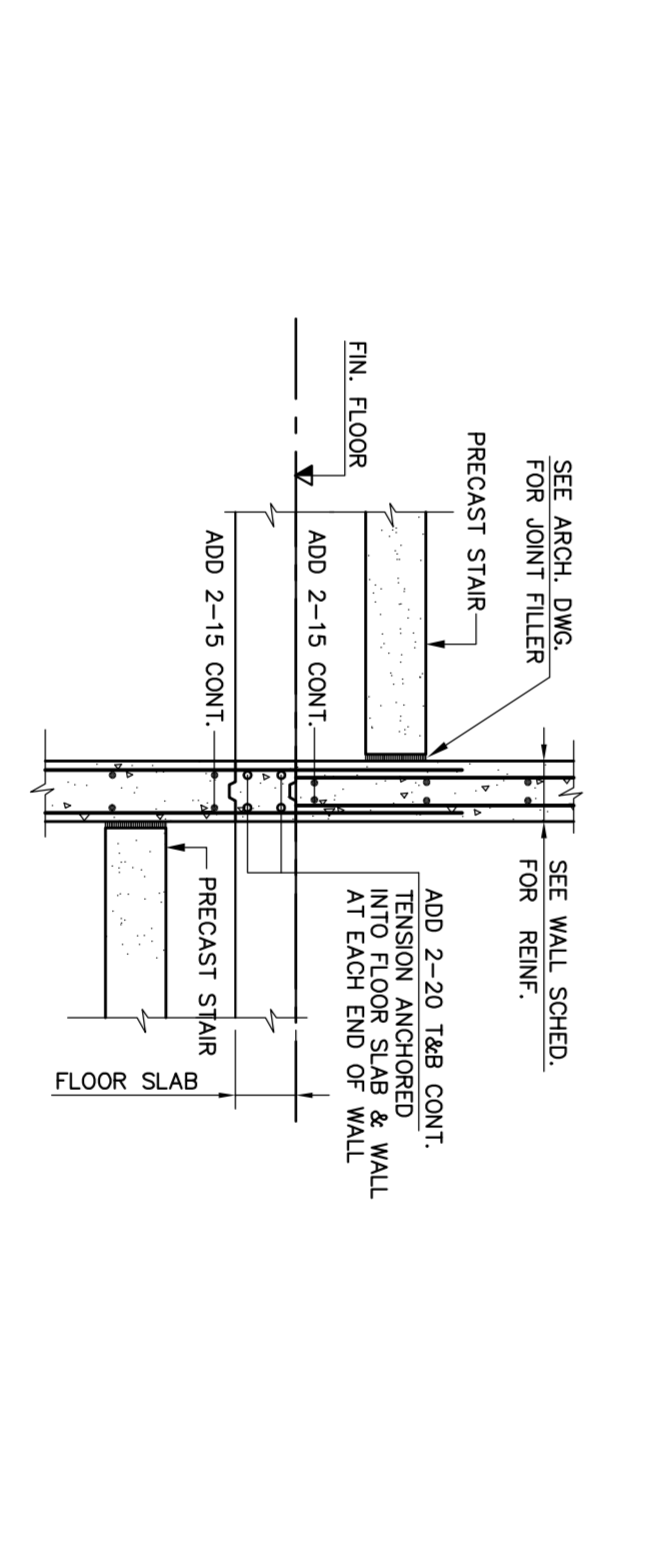
802 TYPICAL DETAIL OF CONT. LEDGE SUPPORTING SLAB



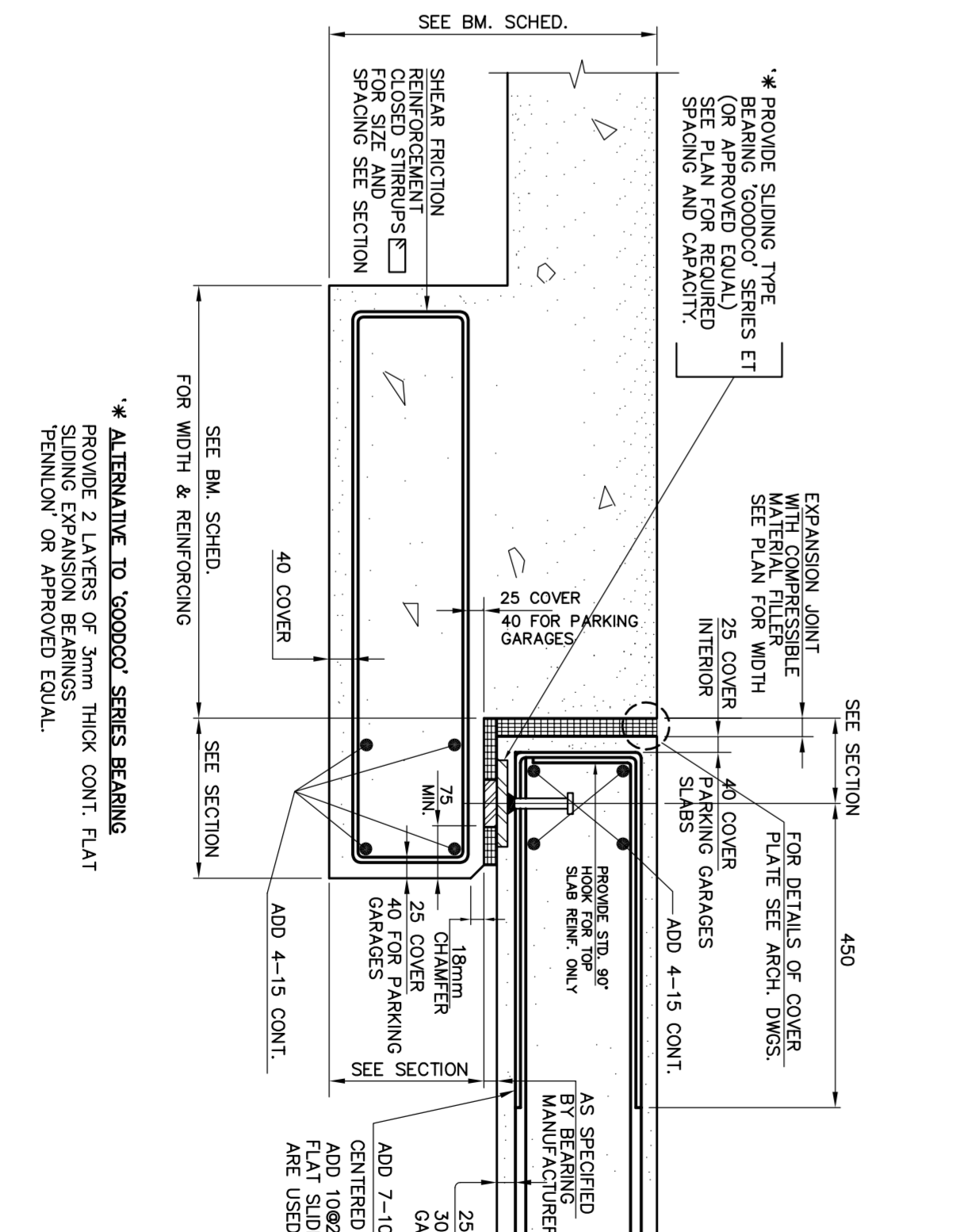
804 TYPICAL JOINTS IN PARAPET WALLS



704 TYPICAL MID-WALL DETAIL AT "SCISSOR" STAIRS



802 TYPICAL DETAIL OF CONT. LEDGE SUPPORTING SLAB



NO.	REVISION	DATE
1	ISSUED FOR PERMIT	2014
2	REVISED FOR COMMENTS	2014
3	REVISED FOR COMMENTS	2014
4	REVISED FOR COMMENTS	2014
5	REVISED FOR COMMENTS	2014
6	REVISED FOR COMMENTS	2014
7	REVISED FOR COMMENTS	2014
8	REVISED FOR COMMENTS	2014
9	REVISED FOR COMMENTS	2014
10	REVISED FOR COMMENTS	2014

Joblonsky, Asif
and Partners
ENGINEERS
 1000 SHEPPARD AVENUE EAST
 SUITE 1000
 SCARBOROUGH, ONTARIO M1B 2Y1
 TEL: 416-444-2777
 FAX: 416-444-2777
 E-MAIL: info@joblonsky.com

ALEXANDRA PARK - BLOCK 11
 TORONTO, ONTARIO

TYPICAL DETAILS
 S-004