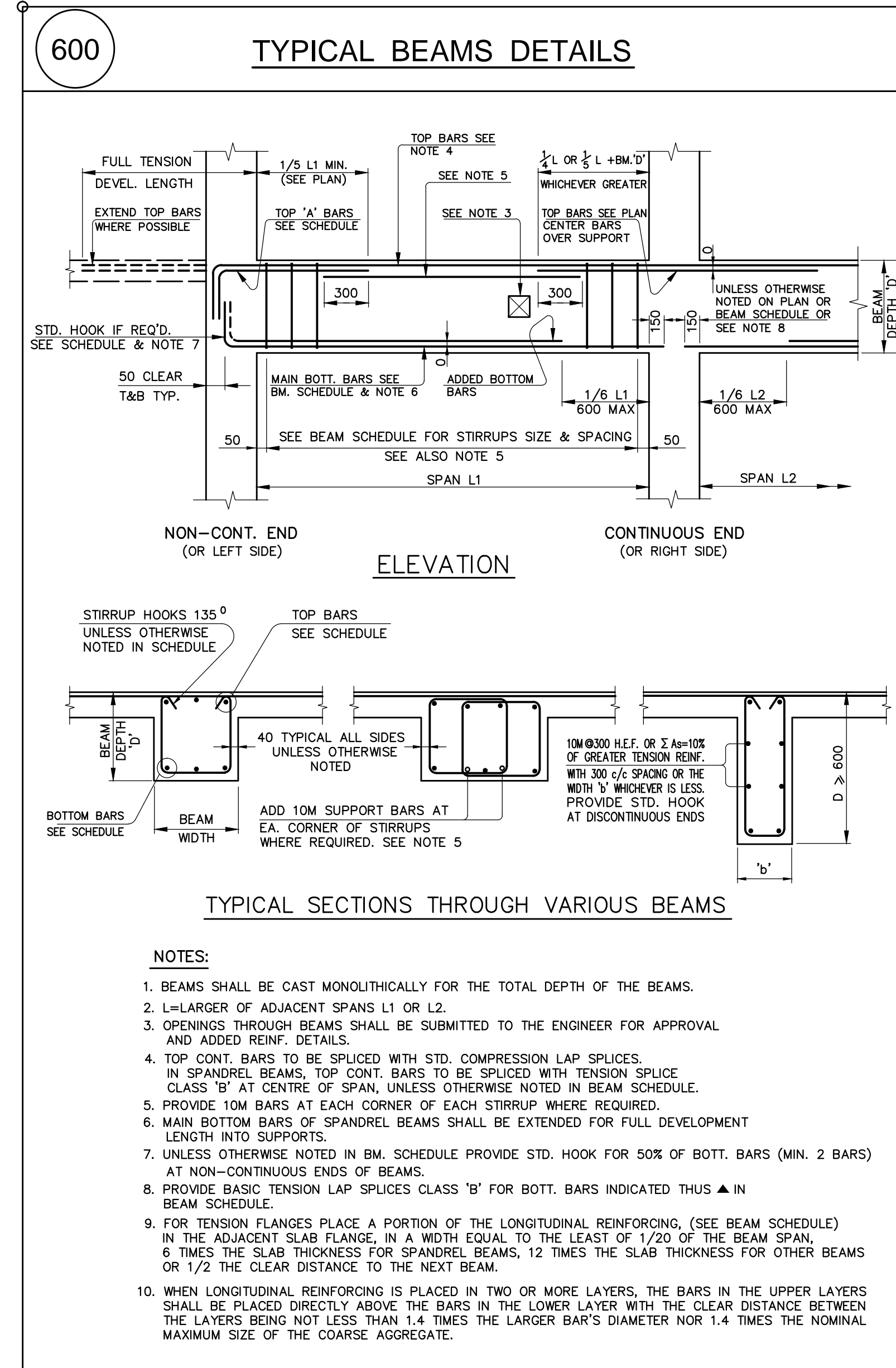
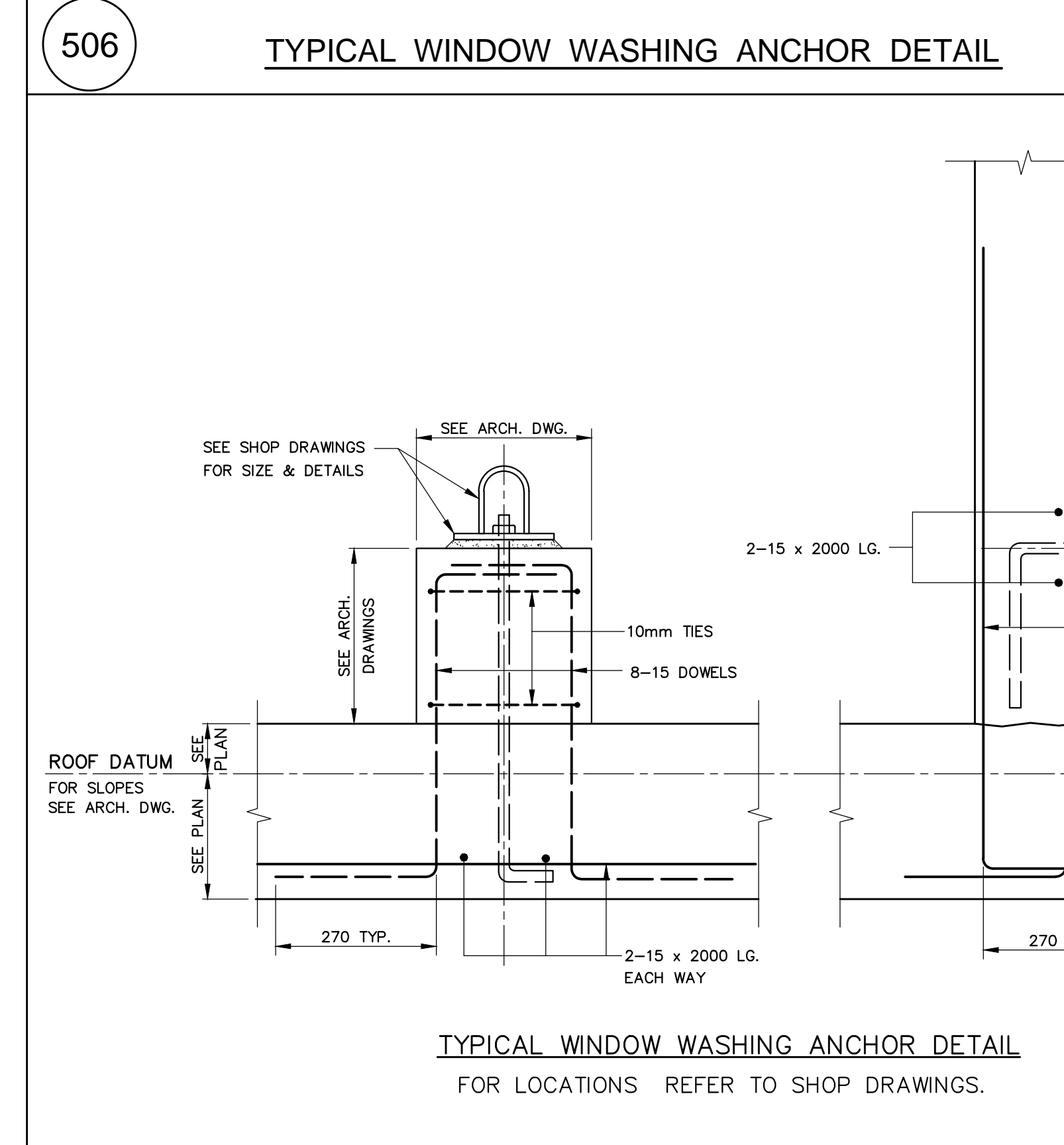
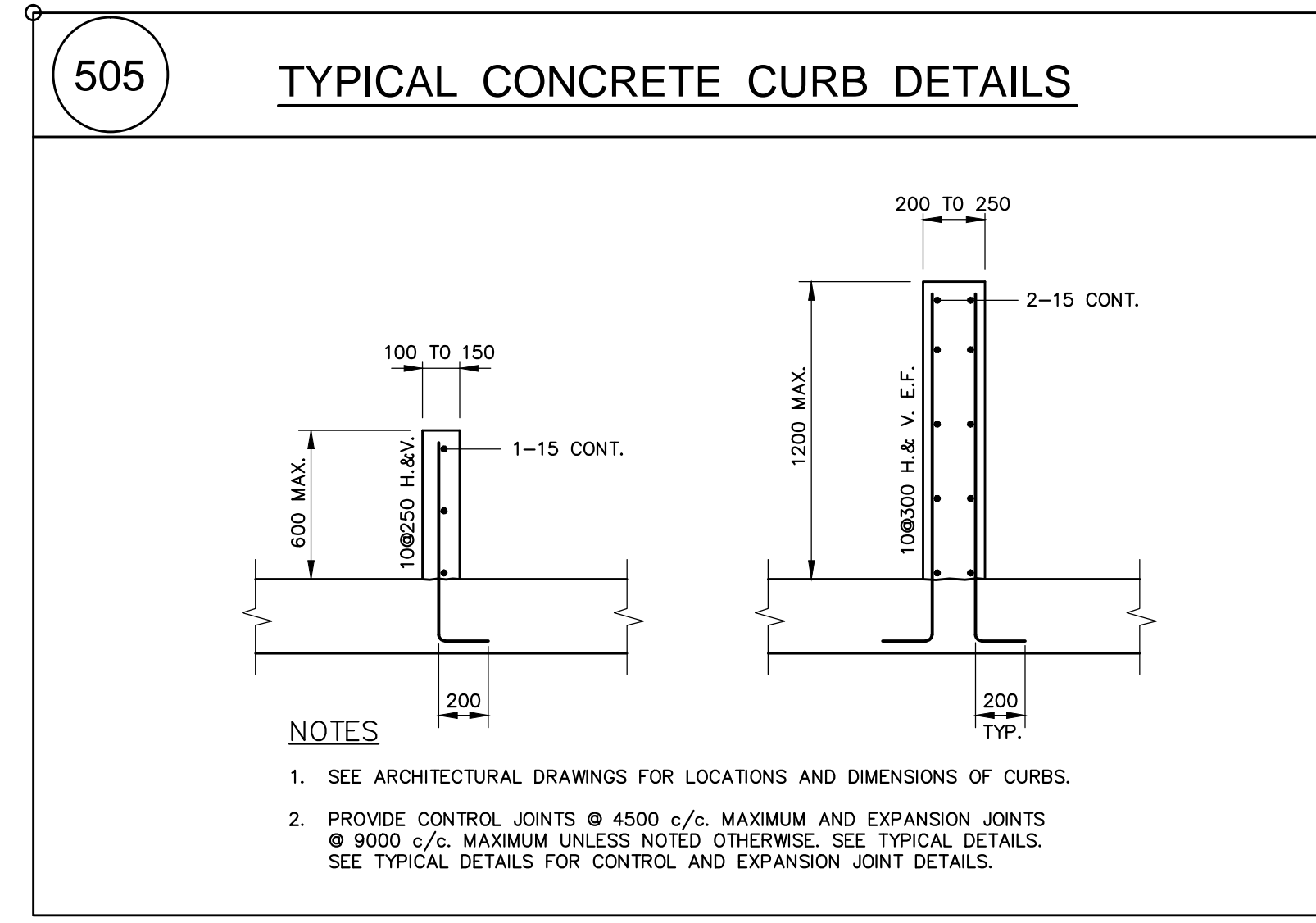
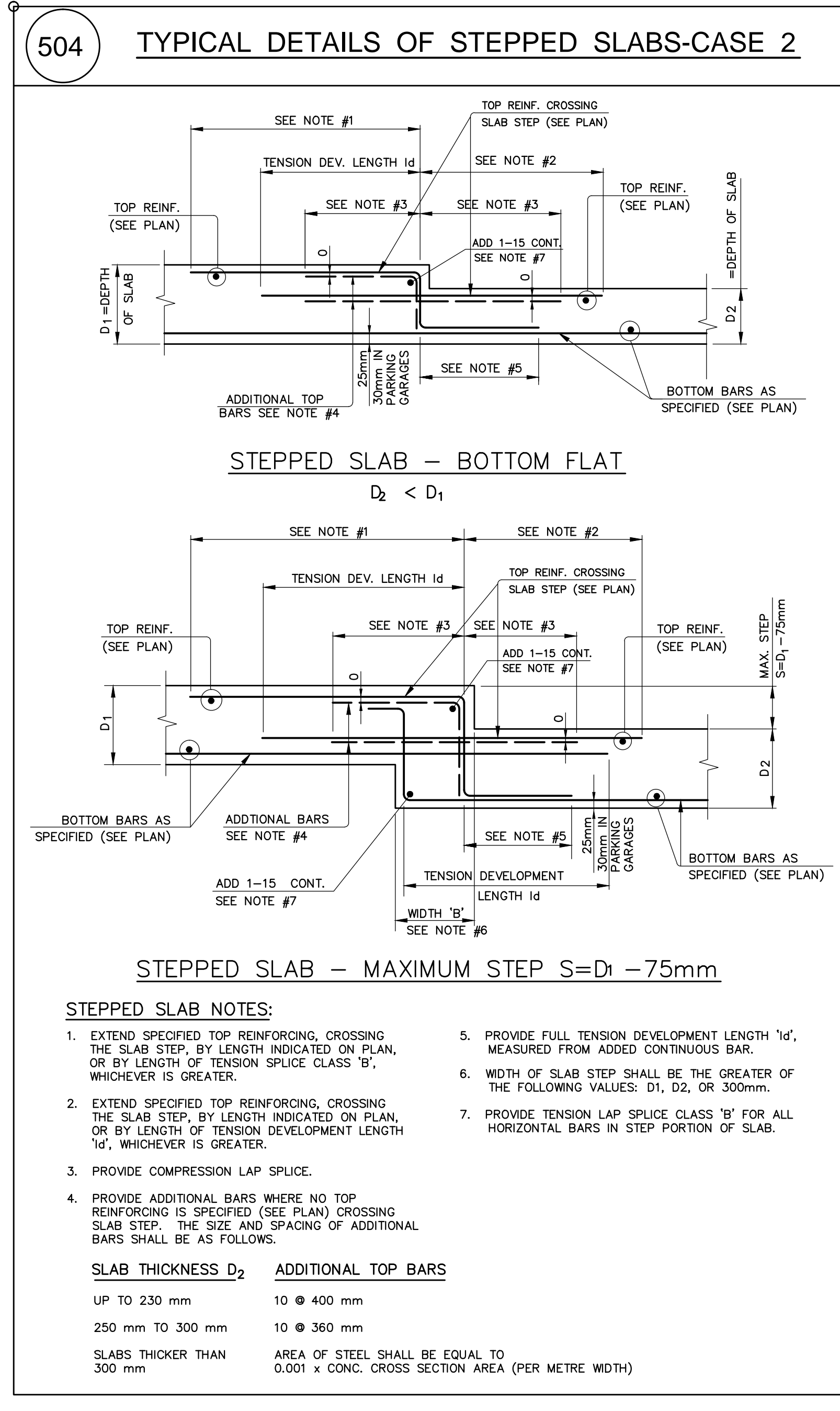
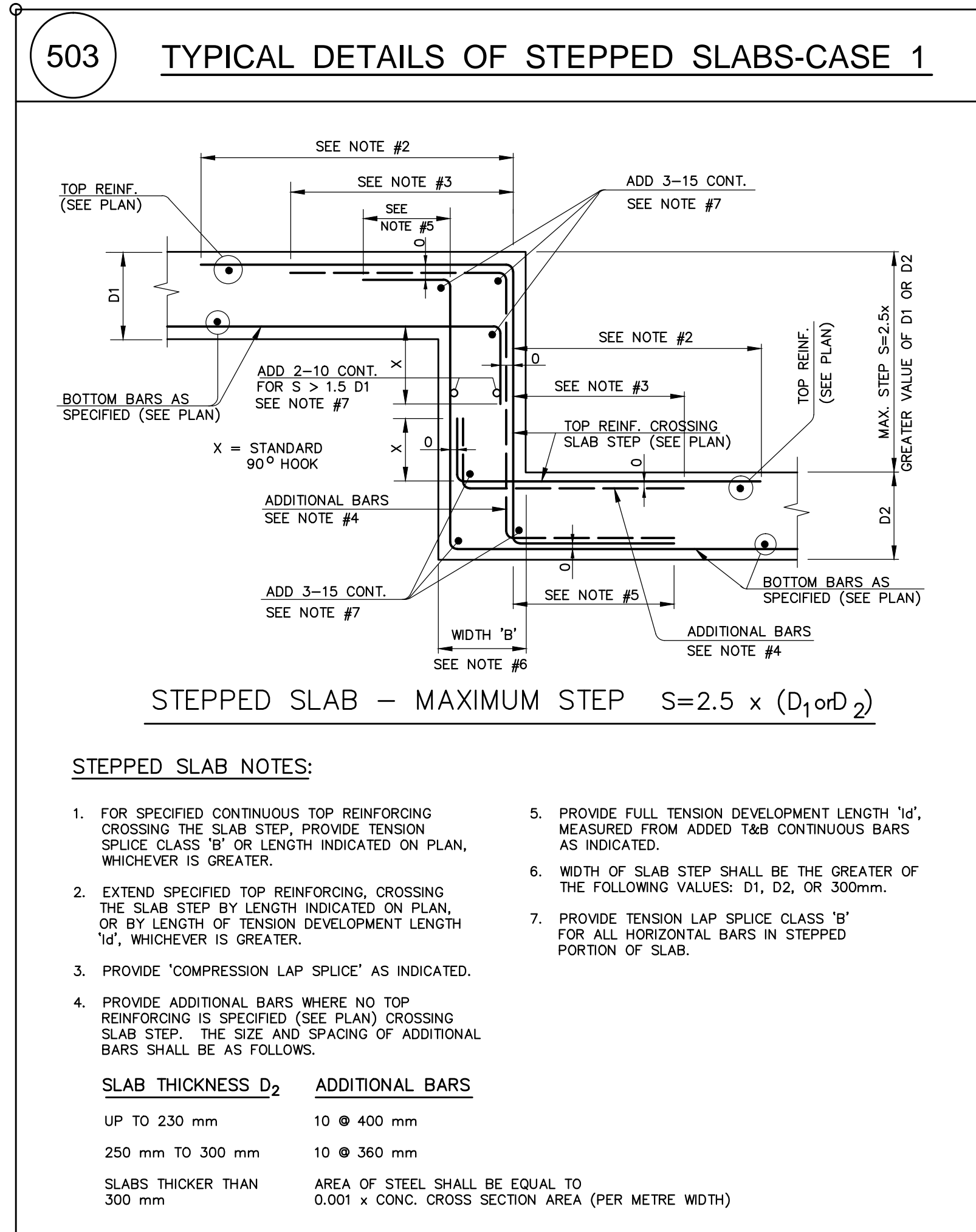


TABLE No. 1 FOR ADDED REINFORCEMENT AT COLUMNS		TABLE No. 1A FOR ADDED REINFORCEMENT AT COLUMNS	
SLAB THICKNESS In mm	ADDED REINFORCEMENT	SLAB THICKNESS In mm	ADDED REINFORCEMENT
160	2-15	160	2-20
180	2-20	180	2-20
200	2-20	200	2-20
220	2-20	220	2-20
240	2-20	240	2-25
260	3-20	260	2-25
280	3-20	280	2-25
300	2-25	300	4-20
320	2-25	320	4-20
340	4-20	340	4-20



Jablonsky, Ast and Partners CONSULTING ENGINEERS
 1128 LESLIE STREET
 DON MILLS, ON, M3C 2G5
 TEL: 416-447-7400
 FAX: 416-447-2771
 E-mail: jab@astinc.com



FIRST FLOOR ELEV. 93.60m

NO.	ISSUED / REVISION	DATE
1	ISSUED FOR PERMIT	2014/01/16
2	RE ISSUED FOR PERMIT	2014/01/16
3	ISSUED FOR FORMING TENDER	2014/02/27
4	CONSTRUCTION PERMIT	2014/03/10
5	RE ISSUED FOR PERMIT	2015/01/27
6	ISSUED FOR CONSTRUCTION	2015/01/28
7	UNAPPROVED - P.C.	2015/02/28
8	UNAPPROVED - P.C.	2015/02/28
9	ISSUED FOR 9/4	2015/03/18

ALEXANDRA PARK - BLOCK 11
 TORONTO, ONTARIO

project no: 13015
 scale: AS NOTED
 drawn by: H.W.
 reviewed by: H.W.
 date started: MARCH 2014

TYPICAL DETAILS

S-003

2015-07-28