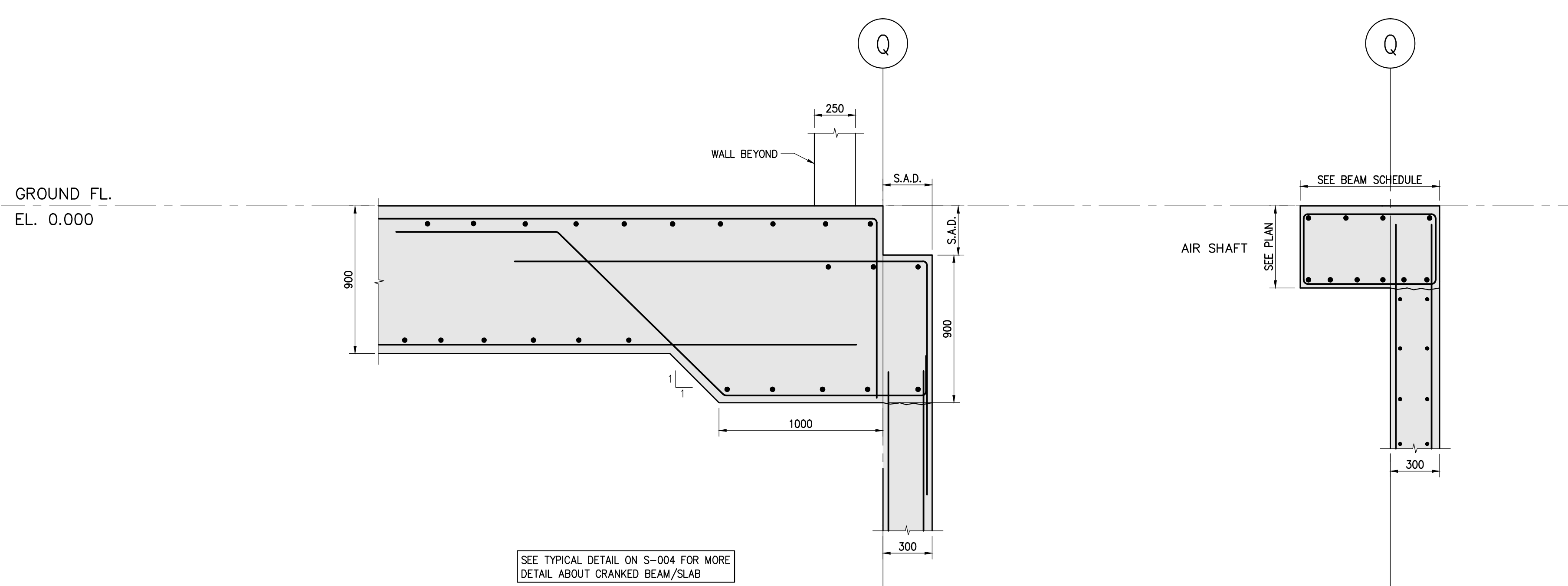


SECTION 1  
SCALE 1:20

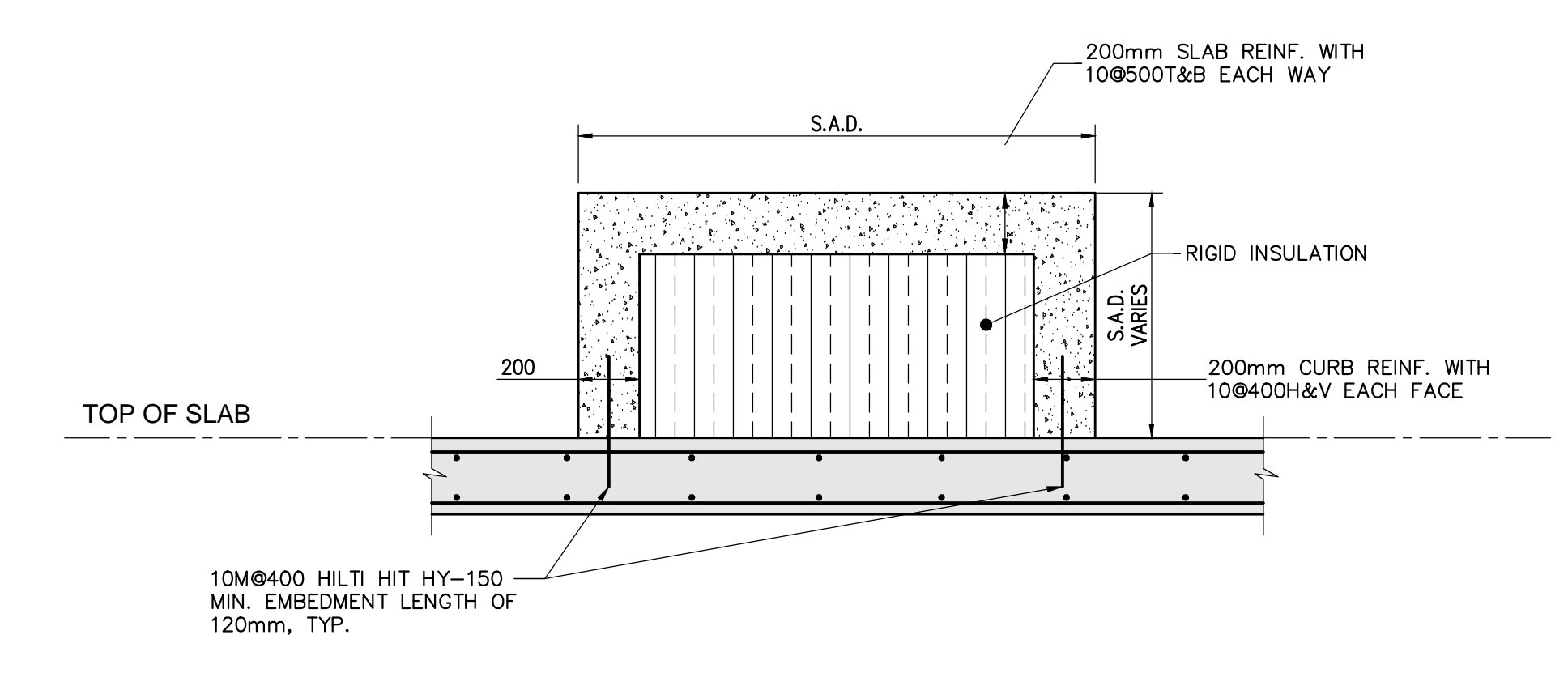
SECTION 2  
SCALE 1:20

SECTION 3  
SCALE 1:20



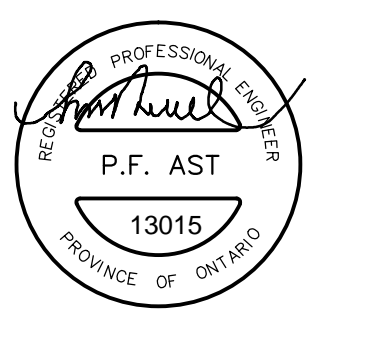
SECTION 4  
SCALE 1:20

SECTION 5  
SCALE 1:20



TYPICAL SECTION FOR SECONDARY POUR CONCRETE  
REFER TO ARCH./LANDSCAPE DRAWINGS FOR ALL DIMENSIONS AND LOCATION

Jablonsky, Ast  
and Partners  
CONSULTING  
ENGINEERS  
1128 LESLIE STREET  
DON MILLS, ON, M3C 2G5  
TEL: 416-447-7400  
FAX: 416-447-2771  
E-mail: j@japoint.com



FIRST FLOOR ELEV. 93.60m

no.	Issued / Revised	date
1	ISSUED FOR PERMIT	2014/03/26
2	RE ISSUED FOR PERMIT	2014/07/10
3	ISSUED FOR FORMING TENDER	2014/08/27
4	CONSTRUCTION PERMIT	2014/11/10
5	RE ISSUED FOR PERMIT	2015/01/27
6	ISSUED FOR CONSTRUCTION	2015/01/16
7	UNAPPROVED - P.C.	2015/04/28
8	UNAPPROVED - P.C.	2015/05/27
9	ISSUED FOR USE	2015/07/08

ALEXANDRA PARK - BLOCK 11  
TORONTO, ONTARIO

project no: 13015  
scale: 1:25  
drawn by: H.W.  
reviewed by: H.F.  
date started: MARCH 2014

FOUNDATION SECTION

S-302

C:\projects\13015 ALEXANDRA PARK BLOCK 11\STRUCTURES\301-5-304 FND-SECTIONS.dwg 28/07/2015 9:53:38 AM 1191 0514.00 x 1200.00 MMJ, Helen

1219x914