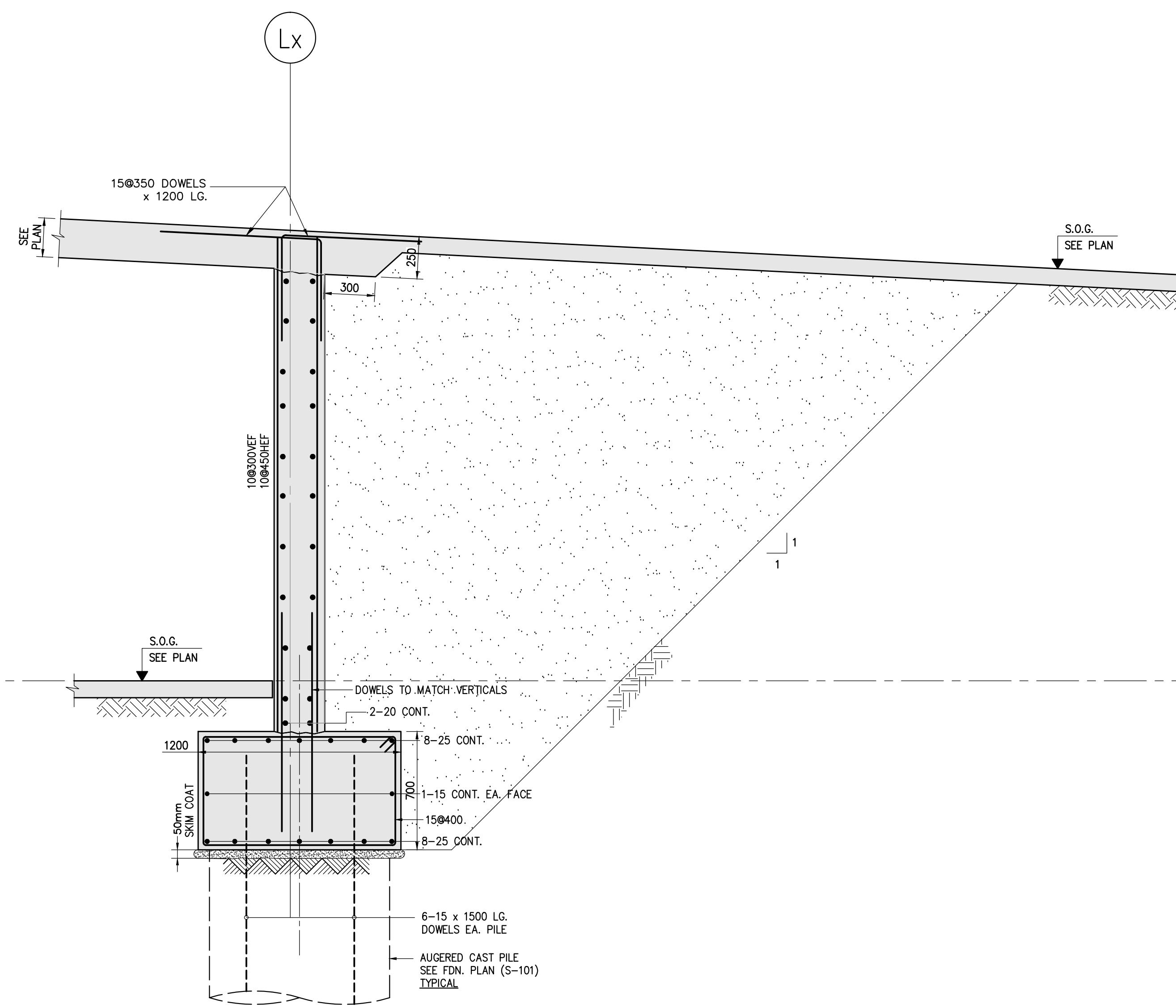
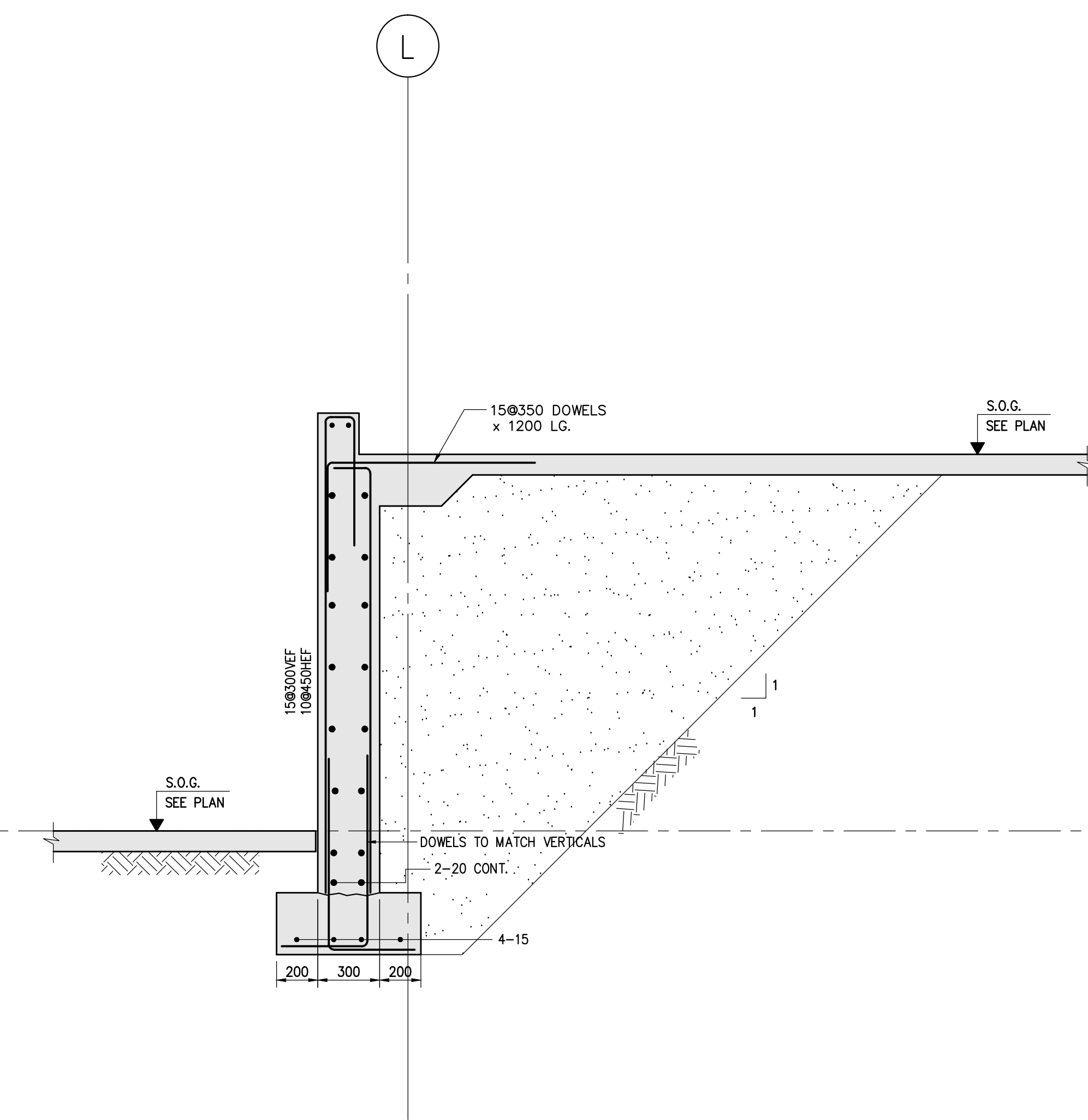


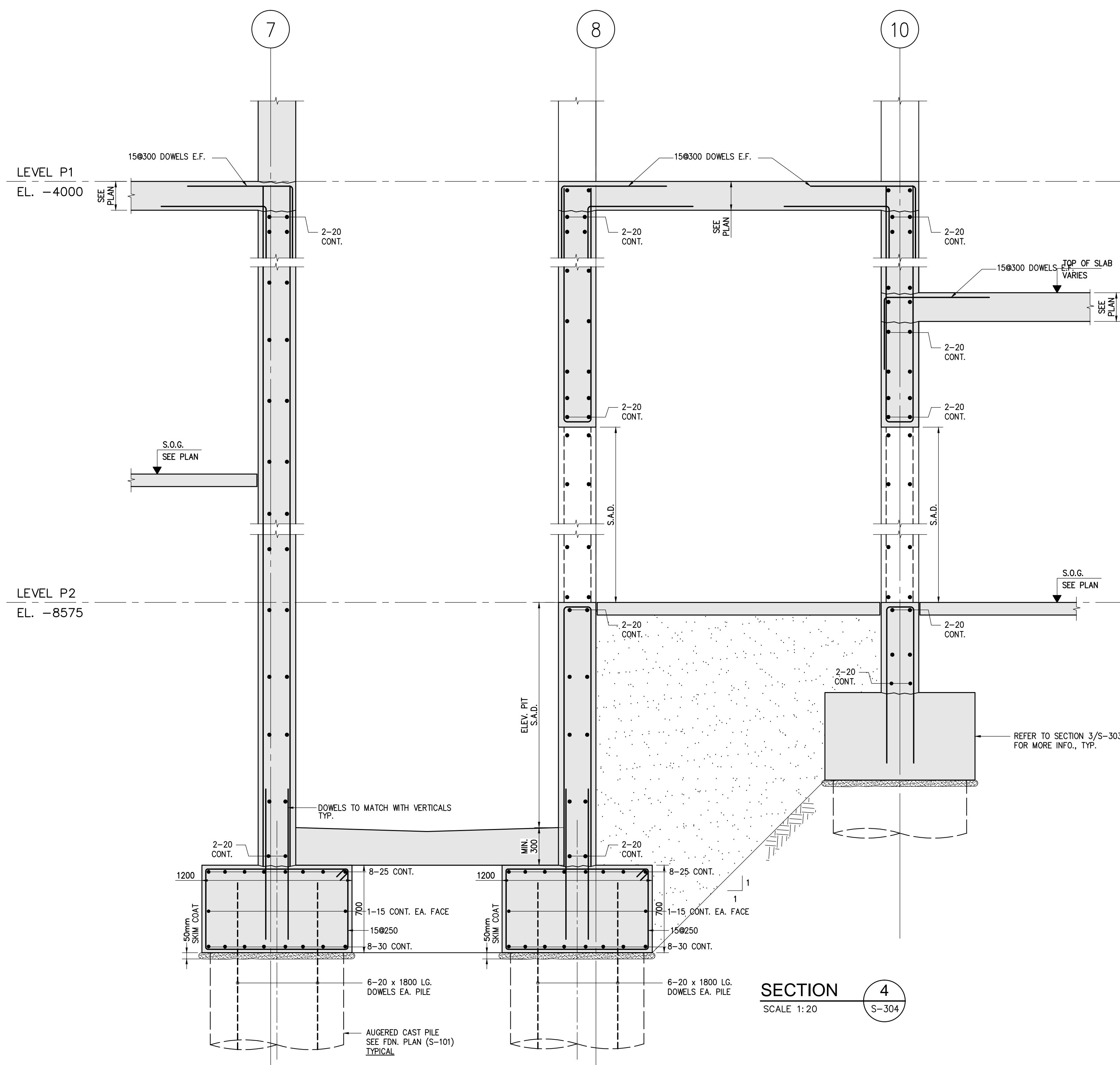
SECTION 1
SCALE 1:20



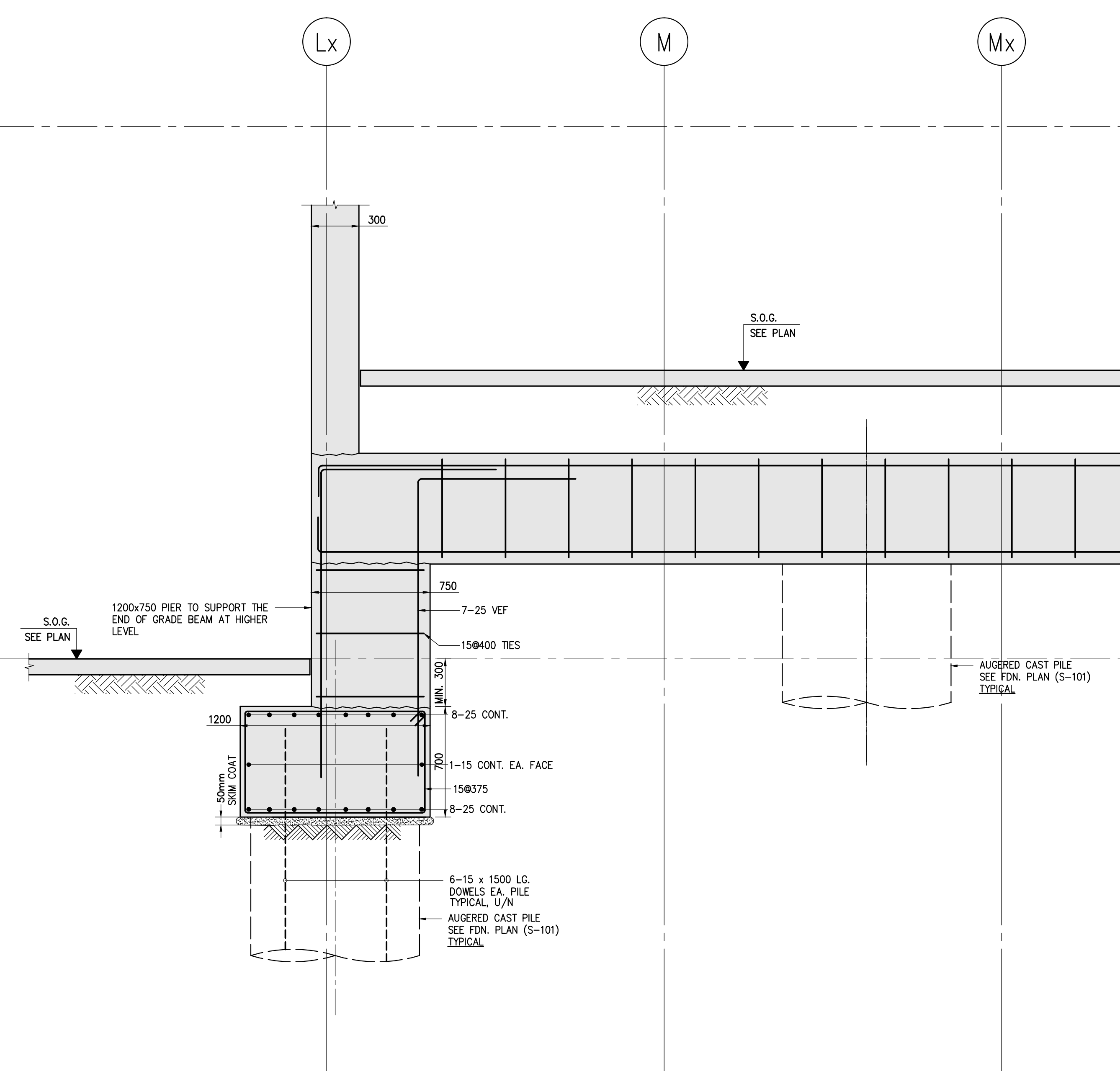
SECTION 2
SCALE 1:20



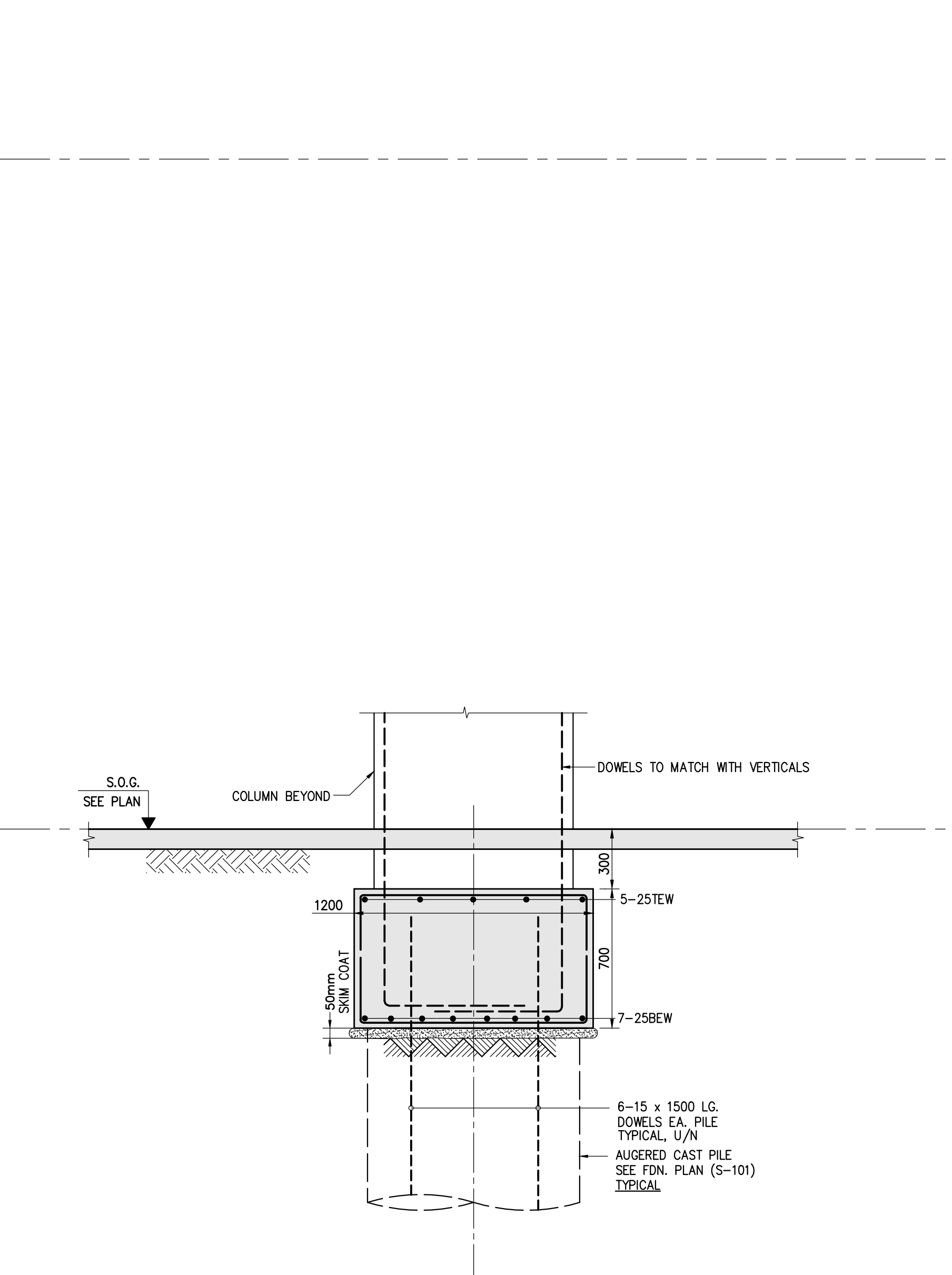
SECTION 3
SCALE 1:20



SECTION 4
SCALE 1:20



SECTION 5
SCALE 1:20



TYPICAL SECTION OF PILE CAP FOR COLUMNS
SCALE 1:20

Jablonsky, Ast and Partners
CONSULTING ENGINEERS
1128 LESLIE STREET
DON MILLS, ON, M3C 2G5
TEL: 416-447-7400
FAX: 416-447-7771
E-mail: j@japoint.com



FIRST FLOOR ELEV. 93.60m

no.	Issued / Revised	date
1	ISSUED FOR PERMIT	2014/03/26
2	RE ISSUED FOR PERMIT	2014/03/26
3	ISSUED FOR FORMING TENDER	2014/04/27
4	CONSTRUCTION PERMIT	2014/04/27
5	RE ISSUED FOR PERMIT	2014/05/27
6	ISSUED FOR CONSTRUCTION	2014/05/18
7	UNAPPROVED - P.C.	2014/04/28
8	UNAPPROVED - P.C.	2014/04/27
9	ISSUED FOR 9/4	2014/03/26

ALEXANDRA PARK - BLOCK 11
TORONTO, ONTARIO

project no: 13015
scale: 1:25
drawn by: H.W.
reviewed by: H.F.
date started: MARCH 2014

FOUNDATION SECTION