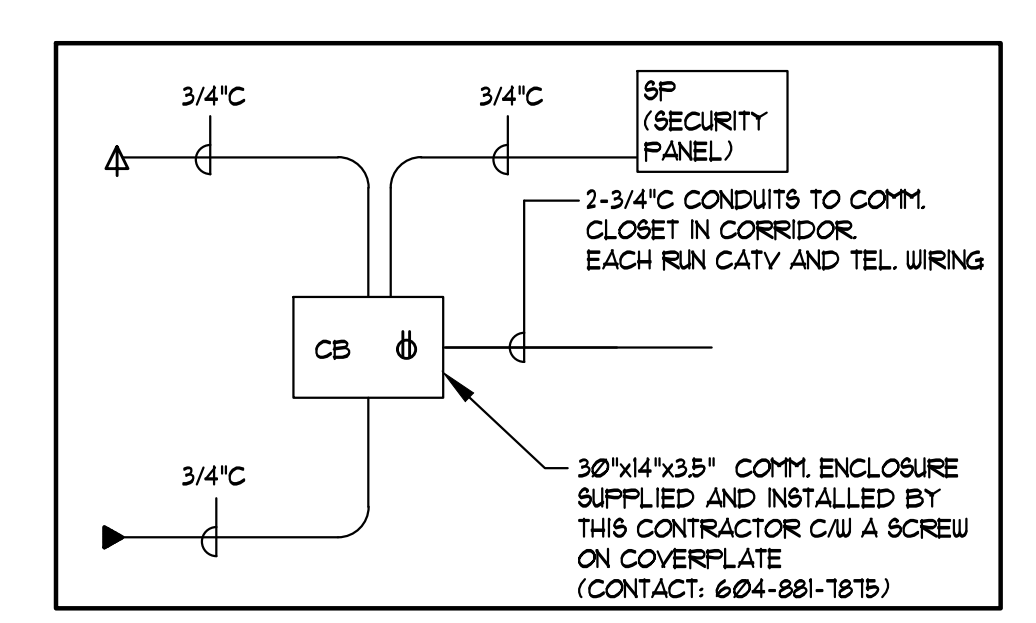


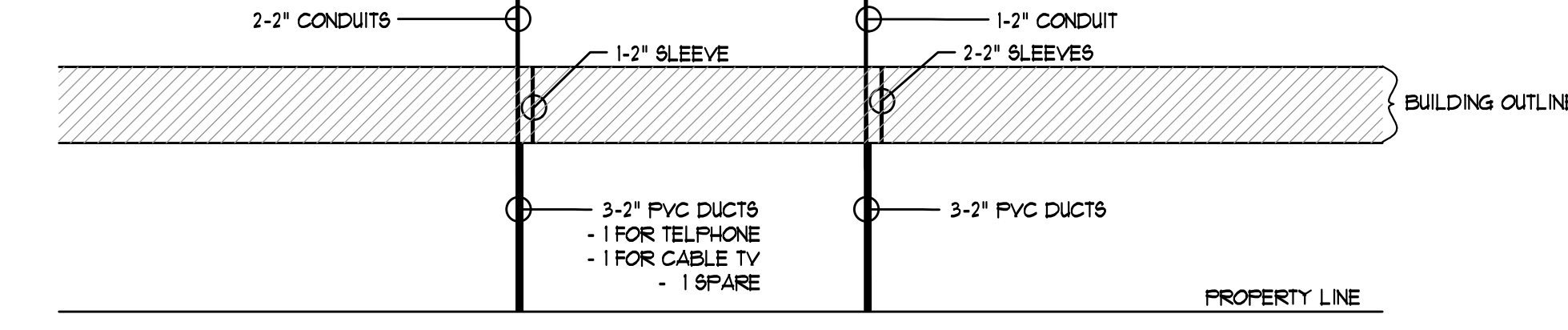
ELECTRICAL LEGEND	
LIGHTING	
[Symbol]	FLUORESCENT LIGHT FIXTURE TYPE AS INDICATED
[Symbol]	NIGHT LIGHT OR LIGHT CONNECTED TO EMERGENCY POWER
[Symbol]	CEILING MOUNTED WALL MOUNTED LIGHT FIXTURE, INSCRIBED LETTER DENOTES TYPE
[Symbol]	POLE MOUNTED LIGHT FIXTURE, INSCRIBED LETTER DENOTES TYPE
[Symbol]	CHANGED CEILING LIGHT OUTLET
[Symbol]	TRACK LIGHT
[Symbol]	STRIP LIGHT
[Symbol]	UNDER CABINET FLUORESCENT LIGHT FIXTURE
[Symbol]	CEILING MOUNTED WALL MOUNTED EXIT SIGN
[Symbol]	INDIVIDUAL EMERGENCY LIGHT REMOTE HEAD
[Symbol]	EMERGENCY BATTERY PACK
[Symbol]	OCCUPANCY SENSOR POWER PACKS
[Symbol]	1/4" / 1/8" SINGLE/THREE POLE SINGLE/TWO/THREE THROUGH SINGLE SENSOR RESPECTIVELY
[Symbol]	3" x 4" / 1" x 4" / 1" x 4" DENOTES 3-WAY/4-WAY/1-WAY LIGHT, OTHER SWITCHED LIGHT RESPECTIVELY
[Symbol]	MASTER LIGHTING SWITCH-OFF SWITCH
[Symbol]	SENSOR WALL SWITCH FIRE SELF POWERED
[Symbol]	OCCUPANCY SENSOR CEILING MOUNTED
POWER	
[Symbol]	REGULAR DUPLEX RECEPTACLE
[Symbol]	DUPLEX RECEPTACLE GROUND FAULT INTERRUPT
[Symbol]	3-POLE 1-POLE DUPLEX RECEPTACLE
[Symbol]	SINGLE RECEPTACLE TYPE AND CONFIGURATION AS SPECIFIED FOR DRYER
[Symbol]	CONNECTION FOR OVEN/COOKTOP
[Symbol]	ABOVE COUNTER DEVICE
[Symbol]	CEILING MOUNTED DEVICES
[Symbol]	FLOOR MOUNTED DEVICES
[Symbol]	DISCONNECT SWITCH NON-FUSED
[Symbol]	DISCONNECT SWITCH FUSED
[Symbol]	COMBINATION STARTER
[Symbol]	FRACTIONAL MOTOR/FAN DIRECT CONNECTION
[Symbol]	DIRECT CONNECTION SINGLE PHASE
[Symbol]	DIRECT CONNECTION THREE PHASE
[Symbol]	THERMOSTAT
[Symbol]	DRYER SENSOR
[Symbol]	HEAT TRACE
[Symbol]	ELECTRICAL HEATER
[Symbol]	ELECTRICAL PANEL / SECURITY PANEL
TELECOMMUNICATION	
[Symbol]	TV/CABLE OUTLET
[Symbol]	TELEPHONE OUTLET
[Symbol]	TELEPHONE CABLE (MULTI-PORT OUTLET)
[Symbol]	DATA OUTLET
[Symbol]	DATA/TELEPHONE OUTLET
[Symbol]	IN-SITE TELECOM. BOX/CU RECEPTACLE
[Symbol]	LIFT LOCATION
[Symbol]	MUSIC SPEAKER / VOLUME CONTROL
[Symbol]	RADIO RECEIVER
SECURITY	
[Symbol]	INTERCOM / INTERPHONE
[Symbol]	INTERCOM WITH CAMERA
[Symbol]	PANIC BUTTON / PANIC INTERCOM STATION
[Symbol]	CARD READER
[Symbol]	AUTOMATIC RELEASE CARD ACCESS/RADIO RECEIVER
[Symbol]	MAGLOCK
[Symbol]	ELECTRIC STRIKE
[Symbol]	DOOR CONTACT / WINDOW CONTACT
[Symbol]	AUTOMATIC DOOR OPERATOR
[Symbol]	MOTION DETECTOR
[Symbol]	PUSH BUTTON
[Symbol]	SECURITY CAMERA
LIFE SAFETY	
[Symbol]	FIRE ALARM SMOKE DETECTOR
[Symbol]	SMOKE ALARM
[Symbol]	FIRE ALARM DUCT TYPE SMOKE DETECTOR
[Symbol]	FIRE ALARM HEAT DETECTOR
[Symbol]	FIXED TEMP. 68 °C / 158 °F HEAT DETECTOR
[Symbol]	MOISTURE PROOF HEAT DETECTOR
[Symbol]	CO ALARM
[Symbol]	COMBINATION SMOKE & CO ALARM
[Symbol]	CO SENSOR / NO SENSOR
[Symbol]	FIRE ALARM MANUAL PULL STATION
[Symbol]	PREPAREDNESS HANGERS
[Symbol]	FIRE ALARM STROBES/ORN. WALL MTD.
[Symbol]	FIRE ALARM M-HORN, WALL MTD.
[Symbol]	FIRE ALARM SPEAKER/STROBE CEILING MTD.
[Symbol]	FIRE ALARM SPEAKER, CEILING MTD.
[Symbol]	FIRE ALARM MANICULATOR PANEL
[Symbol]	FIRE ALARM CONTROL PANEL

COMMUNICATION AND SECURITY RISER DIAGRAM

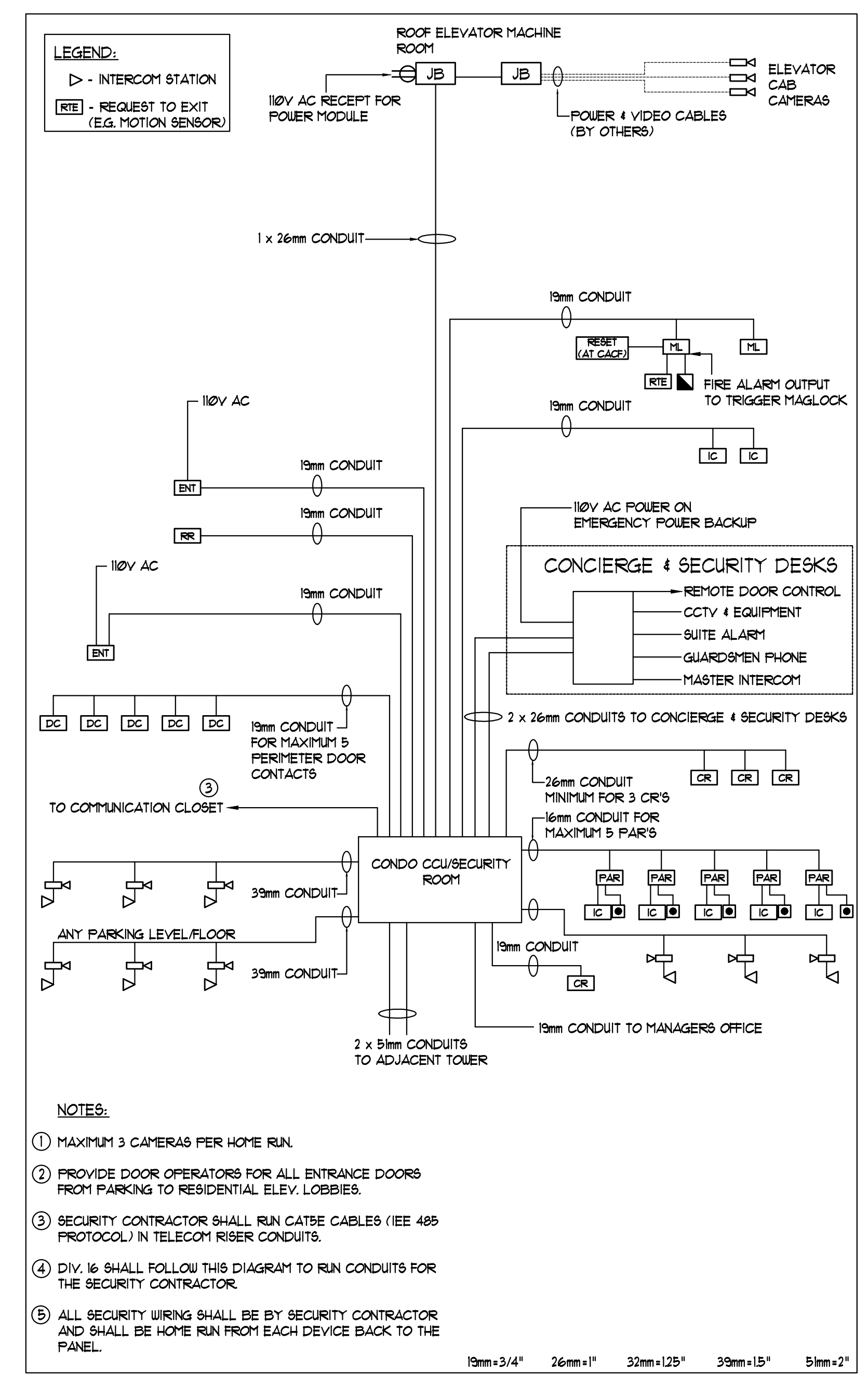


TYPICAL SUITE COMMUNICATION CONNECTION DIAGRAM (REFER TO DETAIL 'S' ON DWG E-31 FOR INSTALLATION OF COMMUNICATION BOX)

- GENERAL NOTES:
- COMMUNICATION RISER SHALL BE RUN IN TOWER 101 BSKINE NORTH & SOUTH ELECTRICAL CLOSET.
  - EACH SUITE IS FED WITH TWO CONDUITS, ONE FOR TELEPHONE AND CABLE TV, AND THE OTHER IS A SPARE.
  - PROVIDE DEDICATED TELEPHONE LINE FOR ELEVATOR SYSTEM.
  - PROVIDE ELECTRICAL PANEL 1" x 8" FOR COU ROOM USE COMPLETE WITH A MINIMUM 60A 120/208V EMERGENCY FEEDER.
  - CONDUITS NOT BEING USED SHALL BE CALKED AND SEALED. ALL SLEEVES PASSING THROUGH FIRE SEPARATIONS SHALL BE FIRE STOPPED.
  - SECURITY CONTRACTOR RUN CATV CABLE IN THE SAFE CONDUIT AS TELECOM CABLE.



SUITE DISTRIBUTION RISER DIAGRAM



SECURITY CONDUIT CONNECTION DIAGRAM

- NOTES:
- MAXIMUM 3 CAMERAS PER HOPE RUN.
  - PROVIDE DOOR OPERATORS FOR ALL ENTRANCE DOORS FROM PARKING TO RESIDENTIAL ELEV. LOBBIES.
  - SECURITY CONTRACTOR SHALL RUN CATV CABLES (SEE 409 PROTOCOL) IN TELECOM RISER CONDUITS.
  - DIV. 16 SHALL FOLLOW THIS DIAGRAM TO RUN CONDUITS FOR THE SECURITY CONTRACTOR.
  - ALL SECURITY WIRING SHALL BE BY SECURITY CONTRACTOR AND SHALL BE HOPE RUN FROM EACH DEVICE BACK TO THE PANEL.

NO.	DATE	BY	DESCRIPTION
01/004	1	ISSUED FOR PERMIT	ST
01/004	2	ISSUED FOR PERMIT	ST

REVISIONS

CONTRACTOR MUST CHECK AND VERIFY ALL DIMENSIONS AND CONDITIONS ON THE JOB AND REPORT DISCREPANCIES TO THE ENGINEER BEFORE PROCEEDING WITH THE WORK. THE DRAWINGS IS THE PROPERTY OF THE ENGINEER AND WILL BE FORGED FOR PROTECTION OF THE WORK. DRAWINGS ARE NOT TO BE SCALED.

**NOVA TREND**

1715 West Beaver Creek Road, Unit 31  
Richmond Hill, Ontario L4B 3M1  
Tel: 905-882-5445  
Fax: 905-882-5441  
Email: info@novatrendeng.com

DATE: FEB 13 1313  
PROJECT NUMBER: E-31  
DRAWING NUMBER: N.T.S.

PROJECT TITLE: ALEXANDRA PARK

DRAWING TITLE: SDP, COMMUNICATION & SECURITY RISER DIAGRAM

DRAWN BY: S.O.  
CHECKED BY: S.T.  
SCALE: N.T.S.