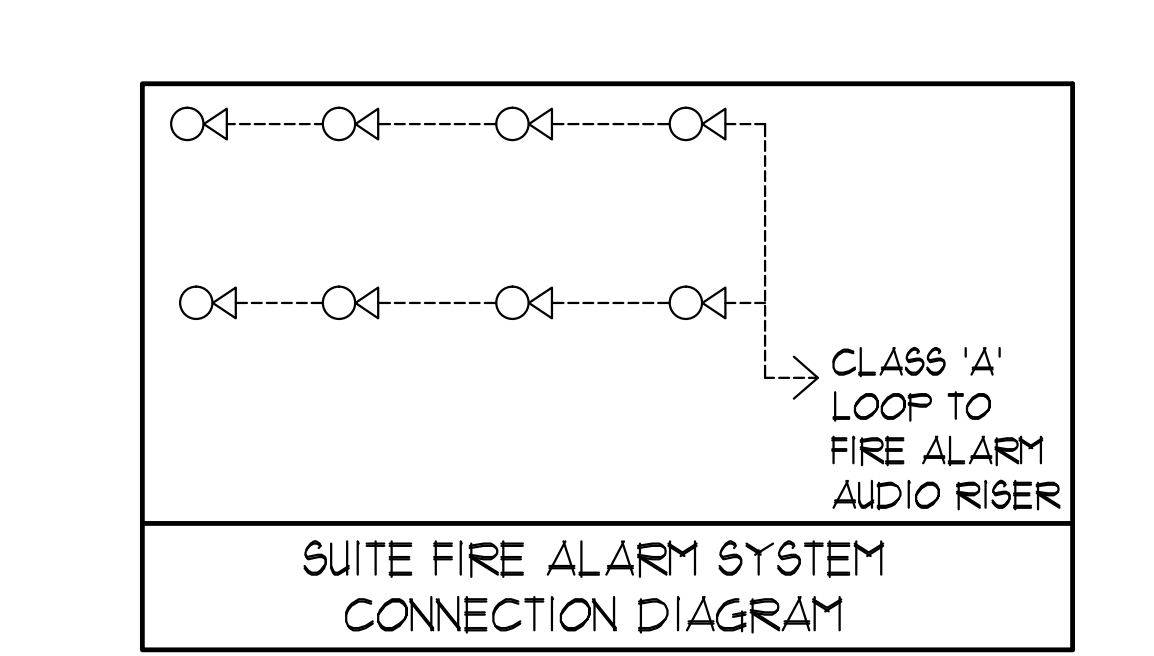


GENERAL AREA CIRCUITING - TABLE #1

LIGHTING FIXTURE LOCATION	CC#
F2 TO #1 - EXIT SIGNS	E-1
G/F TO MH - EXIT SIGNS	E-3
MH - EXIT SIGNS	E-1
STAIR 'A' (F2 TO G/F)	E-9
STAIR 'B' (F2 TO G/F)	E-9
STAIR 'C' (G/F TO 1/F)	E-9
STAIR 'D' (G/F TO 2/F)	E-9
STAIR 'E' (G/F TO 3/F)	E-9
STAIR 'F' (G/F TO 4/F)	E-9
STAIR 'G' (G/F TO 4/F)	E-9
STAIR 'H' (G/F TO 4/F)	E-9
STAIR 'I' (G/F TO 4/F)	E-9
STAIR 'J' (G/F TO 4/F)	E-9
STAIR 'K' (4/F TO MH) 4 MH	E-9-9R-9R-1R-1R
(G/F)	E-21-4E-4E-16E-8E-8E-10E-10E-14E-16E
(4/F)	B1-28-4E-4E-16E-8E-8E-10E-10E-14E-16E
(5/F)	B1-18B-20B-22B-24B-26B-28B-30B
CORRIDOR (2/F 4 3/F)	E-24
CORRIDOR (4/F 4 5/F)	E-26
CORRIDOR (6/F 4 1/F)	E-28
CORRIDOR (8/F TO 1/F)	E-30
CORRIDOR (10/F TO 14/F)	E-32
CORRIDOR 4 LOCKER (2/F)	B-46
CORRIDOR (3/F)	B-48
CORRIDOR (4/F)	B-50
CORRIDOR (5/F 4 6/F)	B-52
CORRIDOR (7/F 4 8/F)	B-54
CORRIDOR (8/F TO 10/F)	B-56
CORRIDOR (12/F TO 14/F)	B-58
ELEVATOR CAB	ER-6, ER-8ER-10
EXTERIOR SITE	E1-E11-5E11-E11-4E11-6
RECEPTACLE LOCATION	CC#
ELEC. S. CLOSET (G/F TO 8/F)	B-2
ELEC. N. CLOSET (2/F TO 8/F)	B-4
ELEC. N. CLOSET (10/F TO 14/F)	B-6
ELEC. N. CLOSET (22/F TO 32/F)	B-8
ELEV. LOBBY (F2 TO 8/F)	B-10
CORRIDOR (2/F TO 8/F)	B-12B-14B-16B-18B-20B-22B-24
CORRIDOR (2/F TO 5/F)	B-26B-28
ELEV. LOBBY (9 TO 14/F)	B-30
CORRIDOR (9/F TO 14/F)	B-32B-34B-36B-38
STAIR A (G/F) 4 J3F5F6F3F	B-40
STAIR F (4/F)1F5F5F2F	B-42
STAIR H (4/F)1F5F5F2F	B-44
STAIR 'K' 4 MH	R-2

- KEY NOTES - INSUITE:**
- DESIGNATED "LAUNDRY RECEPTACLE" AS DEFINED BY ESA CODE 26-102(1) 26-120(1) AND ESA BULLETIN 26-26-0 (WITHIN 3m RADIUS OF "LAUNDRY CLOSET"). RECEPTACLE SHALL BE CONNECTED TO A DEDICATED CIRCUIT. SEE DETAIL #4 ON DUG. E-35.
 - SUITE DOOR CONTACTS AND GLASS BREAK DETECTOR COMPLETE WITH INTRUSION ALARM SYSTEM THAT CONNECT TO THE CONCOURSE STATION (TYPICAL).
 - FOR FAN COIL UNITS (FCU) ELECTRICAL CONTRACTOR TO SUPPLY AND INSTALL CONDUIT AND JUNCTION BOX FOR REMOTE THERMOSTAT. MECHANICAL CONTRACTOR SHALL SUPPLY, WIRE, TERMINATE WIRING AND MOUNT THERMOSTAT.
 - INSTALL SIDE-MOUNTED RECEPTACLE ON KITCHEN ISLAND CABINET.
 - SWITCHES, RECEPTACLES, ETC. TO BE INSTALLED AS TO NOT INTERFERE WITH THE OPENING AND OPERATION OF SLIDING DOOR.
 - TERRACE LIGHTING FIXTURE AND RECEPTACLE SHALL BE CONNECTED ON PANEL 2500MM FROM CENTRE OF DOOR MULLION. REFER TO ARCHITECTURAL ELEVATION.



MOUNTING HEIGHT SCHEDULE (TO TOP OF BOX)

OUTLET	SUITES	PUBLIC AREA
RECEPTACLE	400 MM AFF.	400 MM AFF.
TV OUTLET	400 MM AFF.	400 MM AFF.
TELEPHONE OUTLET	400 MM AFF.	400 MM AFF.
MULTI-FORT OUTLET	400 MM AFF.	400 MM AFF.
SWITCH	1200 MM AFF.	1200 MM AFF.
SECURITY PANEL	1200 MM AFF.	1200 MM AFF.
SILENCE SWITCHES	1200 MM AFF.	1200 MM AFF.
THERMOSTAT	1200 MM AFF.	1200 MM AFF.
INTERCOM	1200 MM AFF.	1200 MM AFF.
V.C. HANDBET	1200 MM AFF.	1200 MM AFF.
FULL STATION	1200 MM AFF.	1200 MM AFF.

- POOL KEY NOTES:**
- PROVIDE TELEPHONE AS PER OBC 3.11(1) (b) AND SHALL BE INSTALLED WITHIN 30m OF THE POOL.
 - ALL RECIRCULATING PUMPS SHALL BE CAPABLE OF BEING DEACTIVATED BY AN EMERGENCY STOP BUTTON, CLEARLY LABELED AND LOCATED ON THE DECK AREA.
 - AN EMERGENCY SIGN CONTAINING THE WORDS "IN THE EVENT OF AN EMERGENCY, PUSH EMERGENCY STOP BUTTON AND USE EMERGENCY PHONE, AUDIBLE AND VISUAL SIGNAL WILL ACTIVATE" SHALL BE IN LETTERS AT LEAST 25mm HIGH WITH A 5mm STROBE. POST THE SIGN ABOVE THE EMERGENCY STOP BUTTON.
 - EXACT LOCATIONS OF OUTLETS TO BE DETERMINED ON SITE.

- GENERAL NOTES - RESIDENTIAL:**
- ELECTRICAL DRAWINGS SHALL BE READ IN CONJUNCTION WITH MECHANICAL, STRUCTURAL, ARCHITECTURAL AND LANDSCAPE DRAWINGS.
 - CONTRACTOR SHALL RUN CABLES WITHIN CEILING SLAB OR ENCLOSURES TO RETAIN 2 HOUR FIRE PROTECTION RATING FOR ALL LOADS THAT CONNECT TO EMERGENCY POWER.
 - FIRE ALARM RISERS SHALL BE RUN IN 2 HOUR FIRE RATED ELECTRICAL CLOSET. REFER TO DUG. E-32 FOR RISER DIAGRAM AND DETAILS.
 - STAIRWAY WALL MOUNTED EMERGENCY LIGHT FIXTURES SHALL BE MOUNTED @ 1 AFF. MIN.
 - FOR STORAGE ROOM VENTILATION SYSTEM, DIV. 16 TO PROVIDE CONDUIT, WIRING AND SWITCH (S) TO START/STOP FAN AND DAMPER. FAN AND I/OV ACTUATOR TO BE SUPPLIED AND INSTALLED BY DIV. 15.
 - FOR UTILITY ROOM VENTILATION SYSTEM, DIV. 15 WILL PROVIDE LINE VOLTAGE THERMOSTAT (T) TO DIV. 16. DIV. 16 TO PROVIDE CONDUIT AND WIRING TO START/STOP FAN AND DAMPER VIA THERMOSTAT. FAN AND I/OV ACTUATOR TO BE SUPPLIED AND INSTALLED BY DIV. 15.
 - FOR UNIT HEATER, DIV. 15 TO PROVIDE LINE VOLTAGE THERMOSTAT (T), DIV. 16 TO PROVIDE CONDUIT AND WIRING TO START/STOP UNIT HEATER.
 - REFER TO SPRINKLER DRAWINGS FOR FIRE PROTECTION DEVICE TO BE CONNECTED TO THE FIRE ALARM SYSTEM. THE DEVICE AND EQUIPMENT SHALL FORM AN INTEGRAL PART OF THE ELECTRICAL CONTRACT.
 - DIV. 16 SHALL SUPPLY AND INSTALL CONDUITS, WIRES AND INTERLOCK FANS TO MOTORIZED DAMPERS AND TO THE THERMOSTAT.
 - DIV. 16 SHALL SUPPLY AND INSTALL CONDUITS, WIRES AND INTERLOCK FANS TO MOTORIZED DAMPERS AND TO THE THERMOSTAT.
 - REFER TO SUITE PANEL SCHEDULES FOR INSUITE CIRCUIT ARRANGEMENT.
 - ALL DUELLING UNIT RECEPTACLES EXCEPT IN KITCHEN SHALL BE TAMPER PROOF.
 - PROVIDE GROUND FAULT PROTECTION FOR SUITE KITCHEN, AMENITY KITCHEN AND WASHROOM RECEPTACLES WITHIN 1500mm OF SINK.
 - PROVIDE TELECOMMUNICATION BOX (C/W BUILT-IN RECEPTACLE FOR TELECOMMUNICATION. TELECOMMUNICATION BOX SHALL BE COMPLIANT WITH THE TELECOM SERVICE PROVIDER SPECIFICATION. REFER TO DETAIL #9 ON DUG. E-35 FOR TELECOM JUNCTION BOX INSTALLATION.
 - DRYER SENSOR TO START DRYER VENTILATION FAN AUTOMATICALLY WHEN DRYER IS RUNNING.
 - ALL SMOKE ALARMS WITHIN THE SUITE SHALL BE HARDWIRED TOGETHER AND TO A 15A, 1P CIRCUIT BREAKER AHEAD OF OTHER LOADS.
 - ALL OUTDOOR RECEPTACLES SHALL BE WEATHERPROOF (LEGRADE CAT# 3232TRUR-GRY FOR NON-GFCI AND CAT# 1595TRUR-GRY FOR GFCI) AND SHALL BE EQUIPPED WITH A WHILE IN USE CAST ALUMINUM COVERPLATE (LEGRADE CAT# WUCAST1) COVERPLATE.

- KEY NOTES - RESIDENTIAL - COMMON AREA:**
- FOR CIRCUITING, REFER TO TABLE #1.
 - PROVIDE ALARM SPEAKER, SMOKE DETECTOR AND RECEPTACLE AT EVERY THIRD FLOOR STAIR WELL STARTING FROM TOP FLOOR, AS PER TO DUG. E-32 FOR FIRE ALARM RISER DIAGRAM.
 - PROVIDE TELECOMMUNICATION BACKBOARD (C/W 11B, 1A, 15A RECEPTACLE AS PER COMMUNICATION RISER DIAGRAM ON DUG. E-31).
 - CONTRACTOR SHALL REFER TO ELECTRICAL SINGLE LINE DIAGRAM ON DUG. E-30 AND SDP RISER ON DUG. E-31 FOR SDP LOCATIONS AND DISTRIBUTION.
 - PROVIDE CONDUIT AS PER RISER DETAIL #19 ON DUG. E-35 FOR TRISORTER CONTROL SYSTEM.
 - REFER TO SUPERVISED VALVE AND FLOW SWITCH SCHEDULE ON DUG. E-33 FOR DETAILS ON TYPICAL FLOORS.
 - EMERGENCY LIGHT FIXTURES IN LOCKERS, STORAGE, GARBAGE, UTILITY AND SERVICE ROOMS SHALL BE CONNECTED TO BOTH NORMAL AND EMERGENCY POWER AS PER DETAIL #21 OF DUG. E-35.
 - ALLOCATE 2, 120V, 15A, CIRCUITS FROM PANEL LP-F* FOR MECHANICAL CONTROL. CONTRACTOR COORDINATE WITH DIV. 15 FOR EXACT LOCATION.
 - SLUNG STAGE WINDOW WASHING TWIN LOCK WITH LOCKOUTS RECEPTACLE 30A, 3P, 120V, 5WIRE (L15-30R).
 - REFER TO ARCHITECTURAL DRAWINGS FOR MOUNTING HEIGHT AND EXACT LOCATION OF EXTERIOR WALL MOUNTED LIGHT FIXTURE.
 - DEDICATED FLOOR MOUNTED RECEPTACLE FOR FITNESS EQUIPMENT. EXACT LOCATION TO BE VERIFIED ON SITE.
 - REFER TO INTERIOR DESIGNER/LANDSCAPE/ARCHITECTURAL DRAWINGS FOR EXACT LOCATION FOR FRIDGE, MICROWAVE AND OVER COUNTER RECEPTACLES.
 - 1-APC SMART-UPS 150VA WITH LCD (120V) FOR EACH INTERCOM.
 - DOORS RELEASED TO OPEN ON FIRE ALARM ACTIVATION.
 - ACTIVATION OF FIRE ALARM SYSTEM SHALL ACTIVATE THE SUPPLY FANS. WHEN THE DUCT TYPE SMOKE DETECTOR IS ACTIVATED, THE ASSOCIATED SUPPLY FAN SHALL BE TURNED OFF. WHEN THE MOTORIZED DAMPER IS ACTIVATED, THE DOOR SHALL BE RELEASE AND OPENED.
 - PROVIDE "CAUTION" SIGN-RED LETTERS ON WHITE BACKGROUND WHICH FLASHES WHEN FIRE ALARM SYSTEM IS ACTIVATED.
 - SHALL BE CONNECTED TO LIGHTING FIXTURES CIRCUIT IN SAME ROOM.
 - MOTORIZED DOOR TO BE CONNECTED TO FIRE ALARM SYSTEM BY DIV. 16.

ELECTRICAL LEGEND

LIGHTING

- FLUORESCENT LIGHT FIXTURE, TYPE AS INDICATED
- LIGHT CONNECTED TO EMERGENCY POWER
- CEILING MOUNTED WALL MOUNTED LIGHT FIXTURE, INCREASED LETTER DENOTES TYPE
- POLE MOUNTED LIGHT FIXTURE, INCREASED LETTER DENOTES TYPE
- CARRIED CEILING LIGHT OUTLET
- TRACK LIGHT
- ETRP LIGHT
- UNDER CABINET FLUORESCENT LIGHT FIXTURE
- CEILING MOUNTED WALL MOUNTED EXIT SIGN
- EMERGENCY LIGHT RECEPTACLE HEAD
- EMERGENCY BATTERY PACK
- OCCUPANCY SENSOR POWER PACKS
- SINGLE/DOUBLE POLE SINGLE/THREE PHASE TOGGLE SWITCH RESPECTIVELY
- 1/4" (3/4" X 1/4" DENOTES 3-WAY 4-WAY PULL OUT LIGHT, DIMMER SWITCHED LIGHT RESPECTIVELY)
- MASTER LIGHTING SHUT-OFF SWITCH
- SENSOR WALL SWITCH, SELF POWERED
- OCCUPANCY SENSOR, GFI MOUNTED

POWER

- REGULAR DUPLEX RECEPTACLE
- DUPLEX RECEPTACLE, GROUND FAULT INTERRUPT
- 3-PORT T-ROUT DUPLEX RECEPTACLE
- ANAL RECEPTACLE TYPE AND CONFIGURATION AS SPECIFIED FOR DRIVER
- CONNECTION FOR OVERCOUNTER
- FLOOR MOUNTED DEVICES
- DISCONNECT SWITCH, NON-FUSED
- DISCONNECT SWITCH, FUSED
- OPERATION STARTER
- FRACTIONAL MOTOR/FAN DIRECT CONNECTION
- DIRECT CONNECTION SINGLE PHASE
- DIRECT CONNECTION THREE PHASE
- THERMOSTAT
- DRYER SENSOR
- HEAT TRACE
- ELECTRIC HEATER
- ELECTRICAL PANEL / SECURITY PANEL

TELECOMMUNICATION

- TYPABLE OUTLET
- TELEPHONE OUTLET
- INTERCOM / CABLE (MULTI-PORT OUTLET)
- DATA OUTLET
- DATA/TELEPHONE OUTLET
- IN SUITE TELECOM BOX (C/W RECEPTACLE)
- WIFI LOCATION
- VIDEO INTERCOM
- RADIO RECEIVER
- INTERCOM / ENTERPHONE
- INTERCOM WITH CAMERA
- PANIC BUTTON / PANIC INTERCOM STATION
- CARD READER
- AUTOMATIC RELEASE CARD ACCESS/RADIO RECEIVER
- ELECTRIC STRIKE
- MAGLOCK
- DOOR CONTACT / WINDOW CONTACT
- GLASS BREAK DETECTOR
- AUTOMATIC DOOR OPERATOR
- MOTION DETECTOR
- PUSH BUTTON
- SECURITY CAMERA

SECURITY

- FIRE ALARM SMOKE DETECTOR
- SMOKE ALARM
- FIRE ALARM DUCT TYPE SMOKE DETECTOR
- FIRE ALARM HEAT DETECTOR
- FIXED TEMP. 68 °C DEGREE HEAT DETECTOR
- MOISTURE PROOF HEAT DETECTOR
- CO ALARM
- COMBINATION SHOCK 1 CO ALARM
- CO SENSOR / NO SENSOR
- FIRE ALARM MANUAL PULL STATION
- FIREFIGHTER'S HANDSET
- FIRE ALARM SPEAKER/STROBE WALL MTD.
- FIRE ALARM SPEAKER WALL MTD.
- FIRE ALARM SPEAKER/STROBE CEILING MTD.
- FIRE ALARM SPEAKER CEILING MTD.
- FIRE ALARM ANNUNCIATOR PANEL
- FIRE ALARM CONTROL PANEL

LIFE SAFETY

- FIRE ALARM SMOKE DETECTOR
- SMOKE ALARM
- FIRE ALARM DUCT TYPE SMOKE DETECTOR
- FIRE ALARM HEAT DETECTOR
- FIXED TEMP. 68 °C DEGREE HEAT DETECTOR
- MOISTURE PROOF HEAT DETECTOR
- CO ALARM
- COMBINATION SHOCK 1 CO ALARM
- CO SENSOR / NO SENSOR
- FIRE ALARM MANUAL PULL STATION
- FIREFIGHTER'S HANDSET
- FIRE ALARM SPEAKER/STROBE WALL MTD.
- FIRE ALARM SPEAKER WALL MTD.
- FIRE ALARM SPEAKER/STROBE CEILING MTD.
- FIRE ALARM SPEAKER CEILING MTD.
- FIRE ALARM ANNUNCIATOR PANEL
- FIRE ALARM CONTROL PANEL

REVISIONS

NO.	DATE	DESCRIPTION
1		
2		
3		
4		
5		
6		
7		
8		
9		
10		
11		
12		
13		
14		
15		
16		
17		
18		
19		
20		
21		
22		
23		
24		
25		
26		
27		
28		
29		
30		
31		
32		
33		
34		
35		
36		
37		
38		
39		
40		
41		
42		
43		
44		
45		
46		
47		
48		
49		
50		

NOVA TRENDS

175 West Beaver Creek Road, Unit 31
Richmond Hill, Ontario L4B 3M1
Tel: 905-882-5445
Fax: 905-882-5441
Email: cad@novatrend.com

DRAWING TITLE: G/F SOUTH FLOOR PLAN POWER LAYOUT

PROJECT FILE: ALEXANDRA PARK

38 CAMERON STREET, BLOCK II TORONTO ONTARIO

DRAWN BY: S.O. CHECKED BY: S.T. SCALE: 1:50

DATE: FEB. 13. 2013. PROJECT NUMBER: 1313. DRAWING NUMBER: E-4