

UNIT	NAME	AREA (SQ. FT.)	# OF UR	# OF POWDER	SIZE (T)	FIXTURE UNITS	BR	SG. FT/T
301	1A-MR	525	1	0	1	10	1	525
302	1D-M	640	1	0	15	10	1	421
303	1L	615	1	0	15	10	1	410
304	1Lb5	615	1	0	15	10	1	410
305	2MR	115	2	0	15	16	2	511
306	1B	490	1	0	1	10	1	490
307	1BR	490	1	0	1	10	1	490
308	2M	115	2	0	15	16	2	511
309	1E	480	1	0	1	10	1	480
310	1C-D4	590	2	0	1	16	1	590
311	1C-D	590	2	0	1	16	1	590
312	1C-D	590	2	0	1	16	1	590
313	1C-D1	590	2	0	1	16	1	590
328	2F-M	705	2	0	15	16	2	410
329	1B-D	580	1	0	1	10	1	580

GRILLE SIZING TABLE			
DESIGNATION	SIZE	L/S	UNITS
SG-A	300x100	41-70	
SG-B	300x150	71-93	
SG-C	400x150	94-140	
SG-D	450x150	141-188	
SG-A	150x150	35	
W-1	225x200	210mm(L)	
W-2	475x200	INSULATED	
W-3	675x200	WALL BOX	

DUCT SIZING TABLE					
DESIGNATION	L/S	DUCT SIZE	DUCT SIZE		
A	41	100x150	G	103	350x150
B	71	150x150	H	136	450x150
C	94	200x150	J	183	500x150
D	118	200x150	K	330	600x150
E	141	250x150	L	317	500x200
F	165	300x150			

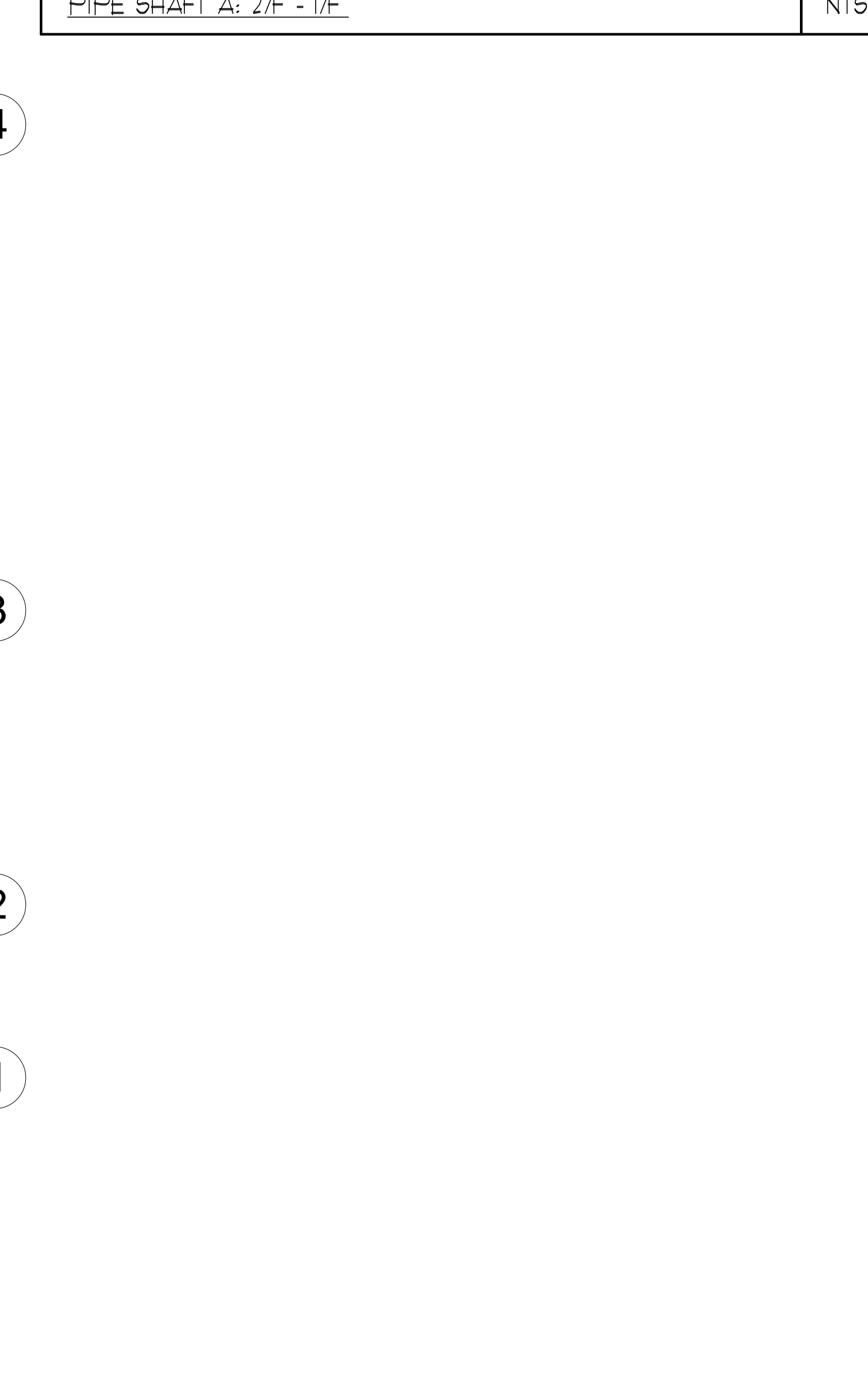
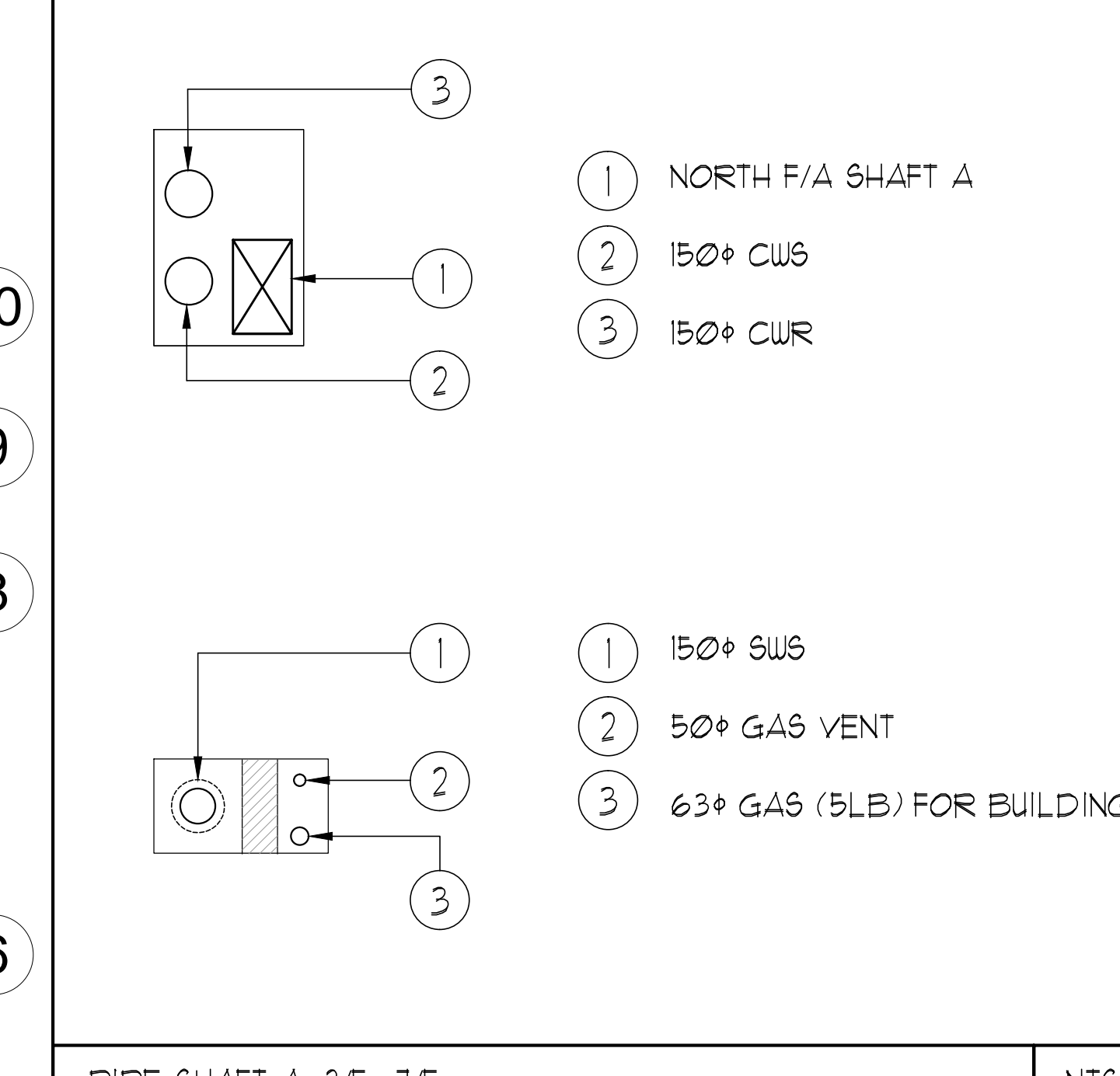
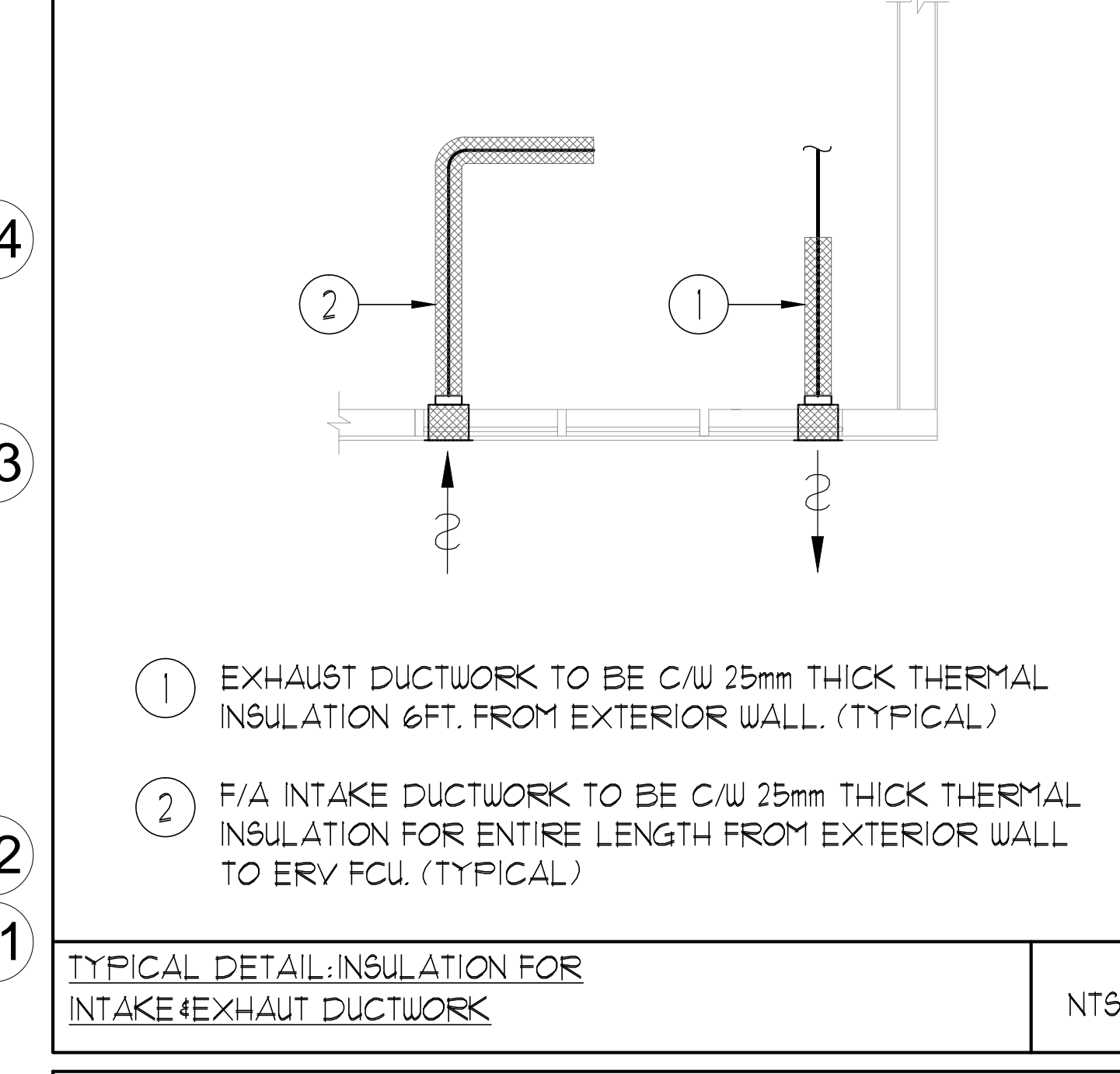
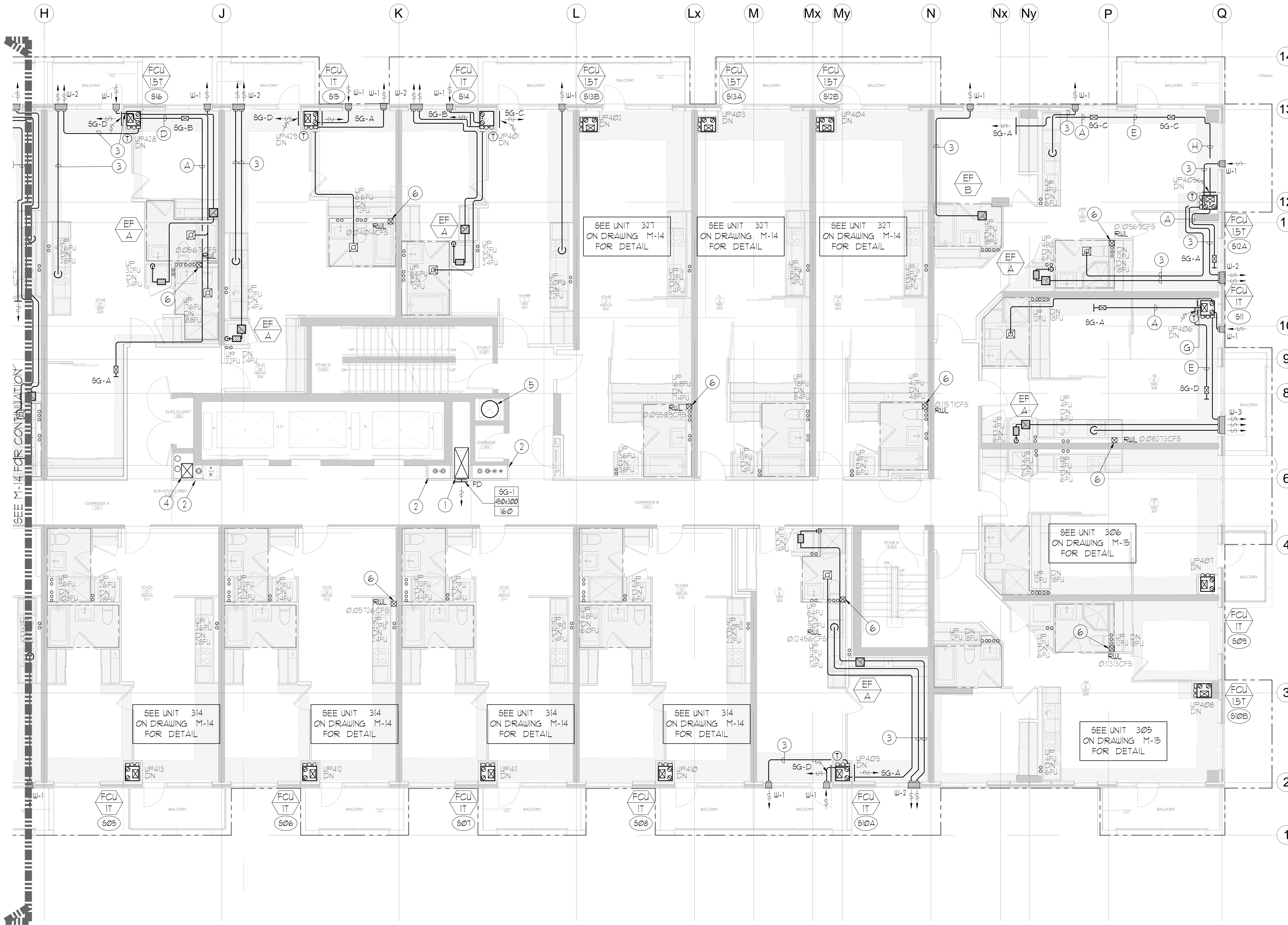
VERTICAL FAN COIL SIZE		
DESIGNATION	MODEL	W x D
FCU-1T	450	500x660
FCU-15T	600	500x660
FCU-2T	800	500x660
FCU-25T	1000	500x660
FCU-3T	1200	500x660

NOTE: A MIN. OF 125mm IS REQUIRED ON THE SIDE OF PIPE RISER.

- GENERAL NOTES:
- CONTRACTOR SHALL CO-ORDINATE ARCHITECTURAL, STRUCTURAL, LIGHTING, HVAC, SPRINKLER DRAWINGS TO AVOID AREAS OF CONFLICT AND TO MAINTAIN CEILING HEIGHTS.
 - CONTRACTOR SHALL REPORT ALL DISCREPANCIES AND AREA OF CONFLICTS TO THE ENGINEER PRIOR TO WORK BEGINS.
 - PROVIDE EXPANSION CHAMBERS FOR ALL KITCHEN SINKS.
 - SEE INSTALLATION DETAILS DRAWING FOR WASHER, D.O.M, H.C WATER, SANITARY CONNECTION DETAILS.
 - SUPPLY AND INSTALL COMPLETE DOMESTIC HOT AND COLD WATER LINES, SANITARY AND VENT LINES TO EACH FIXTURE EQUIPMENT INCLUDING WATER CLOSETS, LAVATORIES, BATHS, SHOWERS, KITCHEN SINK, WASHING MACHINES, DISHWASHERS, AND FLOOR DRAINS, KITCHEN SINK, LAVATORIES, WATER CLOSETS AND WASHING MACHINE TO BE C/W LOCALIZED SHUT-OFF VALVES.
 - ALL VENT PIPE INSTALLATION TO COMPLY WITH PLUMBING CODES.
 - FOR D.H.C. W. RISER SIZES, REFER TO RISER DIAGRAM
 - FIRE DAMPERS ARE REQUIRED TO BE LISTED AND ARE TO HAVE FIRE PROTECTION RATING OF THE PENETRATED FIRE SEPARATION.
 - THE PIPING PENETRATING THE VARIOUS FIRE SEPARATION IS REQUIRED TO BE FIRESTOPPED WITH A LISTED FIRESTOPPING MATERIAL IN ACCORDANCE WITH OBC ARTICLE 3.13.1.
 - THE FIRE HOSE CABINET THAT ARE RECESSED INTO THE EXIT STAIR SHAFTS ARE REQUIRED TO BE SEPARATED FROM THE EXIT STAIR BY A 2 HR FIRE SEPARATION.
 - NO FLEXIBLE DUCT SHALL BE USED FOR ANY IN-SUITE DUCTWORK.
 - PROVIDE 25MM EXTERNAL INSULATION TO ENTIRE FRESH AIR DUCT FROM EXTERIOR WALL TO ERV FAN COIL UNIT.
 - DRYER EXHAUST DUCT SHALL BE SMOOTH AND CORROSION-RESISTANT MATERIAL (FLEXIBLE CONNECTION IS NOT ACCEPTABLE).

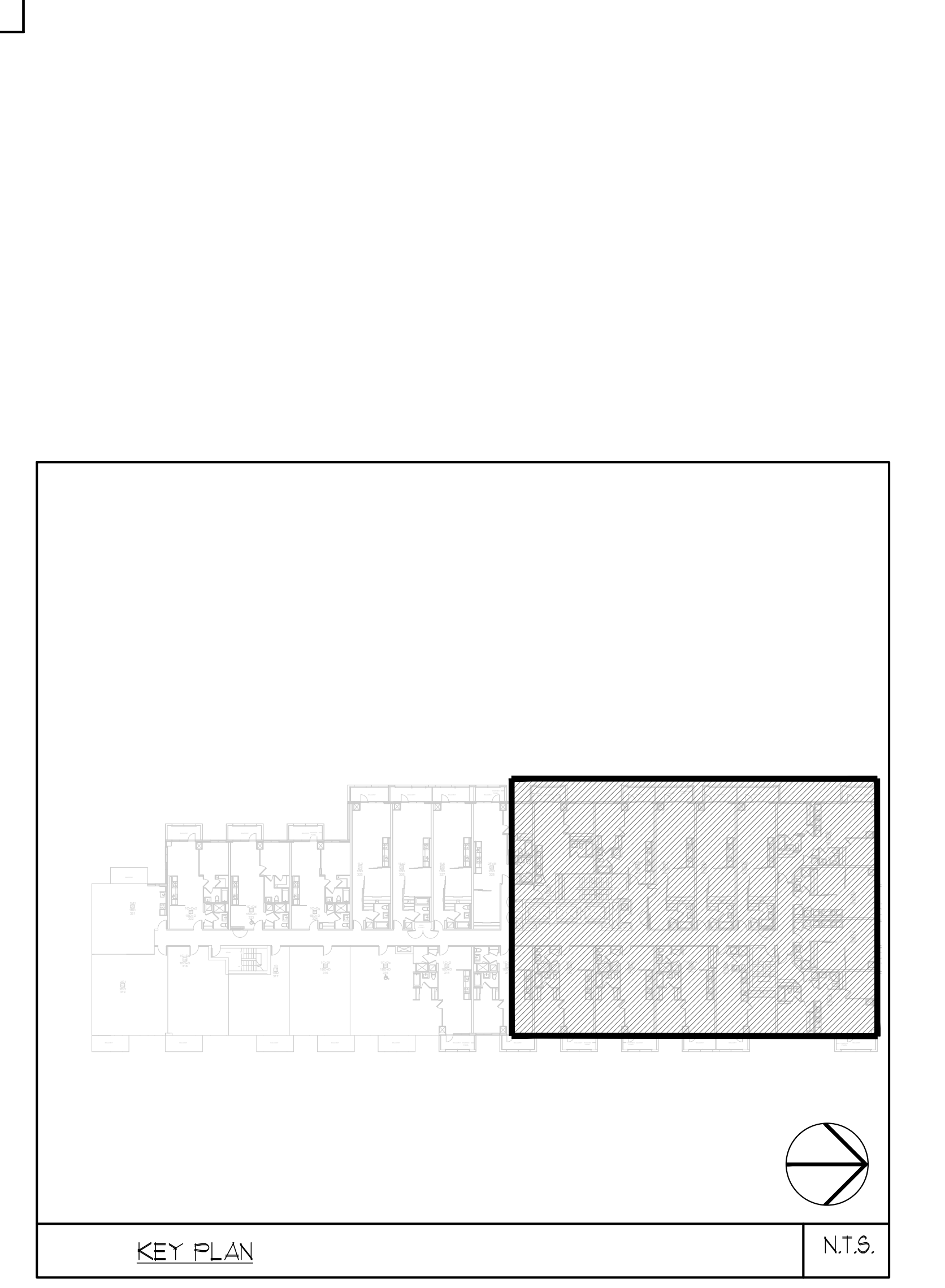
LEGEND MECHANICAL

SYMBOL	DESCRIPTION
[Symbol]	SUPPLY AIR DIFFUSER
[Symbol]	SUPPLY AIR TRIPPER
[Symbol]	LINEAR SUPPLY DIFFUSER
[Symbol]	THERMOSTAT
[Symbol]	FAN MOTOR
[Symbol]	RETURN AIR GRILLE
[Symbol]	EXHAUST AIR GRILLE
[Symbol]	SUPPLY DUCT UP
[Symbol]	SUPPLY DUCT DOWN
[Symbol]	RETURN DUCT UP
[Symbol]	RETURN DUCT DOWN
[Symbol]	EXHAUST DUCT UP
[Symbol]	EXHAUST DUCT DOWN
[Symbol]	FINE DAMPER
[Symbol]	BALANCING DAMPER
[Symbol]	MOTORIZED DAMPER
[Symbol]	MOTORIZED FIRE DAMPER
[Symbol]	BACKDRIFT DAMPER
[Symbol]	OPPOSED BLADE VOLUME CONTROL DAMPER
[Symbol]	COIL STOPPING DAMPER
[Symbol]	TUNING VANES
[Symbol]	FLEXIBLE CONNECTION
[Symbol]	ACOUSTIC INSULATION
[Symbol]	TYPE OF EQUIPMENT
[Symbol]	EQUIPMENT CONNECTION
[Symbol]	TYPE OF GRILLE OR GRILLE
[Symbol]	SMALL SIZE OR OFFER BEAK SIZE
[Symbol]	ANGLE LIGHT OR L.S.
[Symbol]	STARTER / 3 PHASE / PHASE /
[Symbol]	WHITE ERV PRESSURE SWITCH
[Symbol]	FAN SWITCH / IN-SUITE ERV OVERRIDE BUTTON
[Symbol]	CO SENSOR
[Symbol]	GAS LINE
[Symbol]	GAS METER
[Symbol]	GAS SOON
[Symbol]	PRESSURE REDUCING VALVE
[Symbol]	SANITARY ABOVE GRADE
[Symbol]	SANITARY BELOW GRADE
[Symbol]	STORM ABOVE GRADE
[Symbol]	STORM BELOW GRADE
[Symbol]	DOMESTIC COLD WATER
[Symbol]	DOMESTIC HOT WATER
[Symbol]	DOMESTIC HOT WATER RECIRCULATION
[Symbol]	SANITARY VENT
[Symbol]	WATER METER
[Symbol]	3RD FLOOR DRAIN
[Symbol]	2ND FLOOR DRAIN
[Symbol]	1ST FLOOR DRAIN
[Symbol]	BASE DRAIN
[Symbol]	AREA DRAIN
[Symbol]	B1 LEVEL AREA DRAIN
[Symbol]	B2 LEVEL AREA DRAIN
[Symbol]	B3 LEVEL AREA DRAIN
[Symbol]	B4 LEVEL AREA DRAIN
[Symbol]	SANITARY TRAP
[Symbol]	ELBOW UP
[Symbol]	ELBOW DOWN
[Symbol]	WALL CLEANOUT
[Symbol]	FLOOR CLEANOUT
[Symbol]	HOSE BIBB
[Symbol]	NON-FREEZE HOSE BIBB
[Symbol]	SHUT-OFF VALVE
[Symbol]	GATE VALVE
[Symbol]	BALL VALVE
[Symbol]	BUTTERFLY VALVE
[Symbol]	PRESSURE REDUCING VALVE
[Symbol]	CHIEF VALVE
[Symbol]	CAP
[Symbol]	COMPRESSED AIR OUTLET
[Symbol]	BACKUP PRESSURE VALVE
[Symbol]	CIRCUIT BALANCING VALVE
[Symbol]	TEMPERATURE SENSOR
[Symbol]	TEMPERATURE
[Symbol]	3-WAY MODULATING VALVE
[Symbol]	3-WAY MODULATING VALVE
[Symbol]	12 VOLT THERMOSTAT
[Symbol]	C/W 1/2" BUSHING 4 1/2" PLUG
[Symbol]	FLOOR ELEVATION ABOVE LEVEL
[Symbol]	HEADROOM FLOOR TO CEILING



- ACOUSTIC NOTES:
- ALL SYSTEM/DOMESTIC PIPE LOOPS OR OFFSETS WHICH ARE 50MM DIA AND LARGER SHALL BE ISOLATED USING NEOPRENE-N-SHEAR HANGERS AND ADDITIONAL 25 MM THICK RIBBED OR WAFLED NEOPRENE PADS IN THE SADDLES OF CLEVIS HANGERS.
 - ALL PIPES SMALLER THAN 50MM DIA. SHALL BE ISOLATED WITH 5MM THICK RIBBED OR WAFLED RUBBER PADS IN HANGER SADDLES.

- NOTES:
- NORTH F/A SHAFT B FROM G/F TO 14/F. DUCT SERVING CORRIDOR FROM G/F TO 14/F. SEE PRESSURIZATION / VENTILATION RISER DIAGRAM FOR DETAILS.
 - PIPE SHAFT - REFER TO PIPE RISER DETAIL ON THIS DRAWING FOR DETAILS.
 - 150+ KITCHEN / DRYER / W/R / FCU INTAKE / FCU EXHAUST DUCT. (TYPICAL UNLESS OTHERWISE NOTED)
 - NORTH F/A SHAFT A FROM G/F TO 14/F. DUCT SERVING CORRIDOR FROM 9/F TO 14/F. SEE PRESSURIZATION / VENTILATION RISER DIAGRAM FOR DETAILS.
 - 600+ GARBAGE CHUTE.
 - 100+ RUL FROM ABOVE AND DOWN.



NOVA ENGINEERING

175 West Beaver Creek Road Unit 31
Richmond Hill, Ontario L4B 3M1
Tel: 905 882-5445
Fax: 905 882-5441

PROJECT TITLE: SG ALEXANDRA PARK BLOCK II
38 CAMERON STREET TORONTO ONTARIO

DATE: FEB, 13 2013

SCALE: 1:50

DRAWING NUMBER: M-15 OF 43

NO.	DATE	DESCRIPTION	BY	CHK
1		ISSUED FOR PERMIT	EP	
2		RE-BASED FOR PERMIT	EP	
3		ISSUED FOR PERMIT	EP	
4		RE-BASED FOR PERMIT	EP	

REVISIONS

CONTRACTOR MUST CHECK AND VERIFY ALL DIMENSIONS AND CONDITIONS ON THE JOB AND REPORT DISCREPANCIES TO THE ENGINEER BEFORE PROCEEDING WITH THE WORK. THIS DRAWING IS THE PROPERTY OF THE ENGINEER AND NOT BE REPRODUCED FROM COPIES OF THE WORK. DRAWINGS ARE NOT TO BE SCALED.