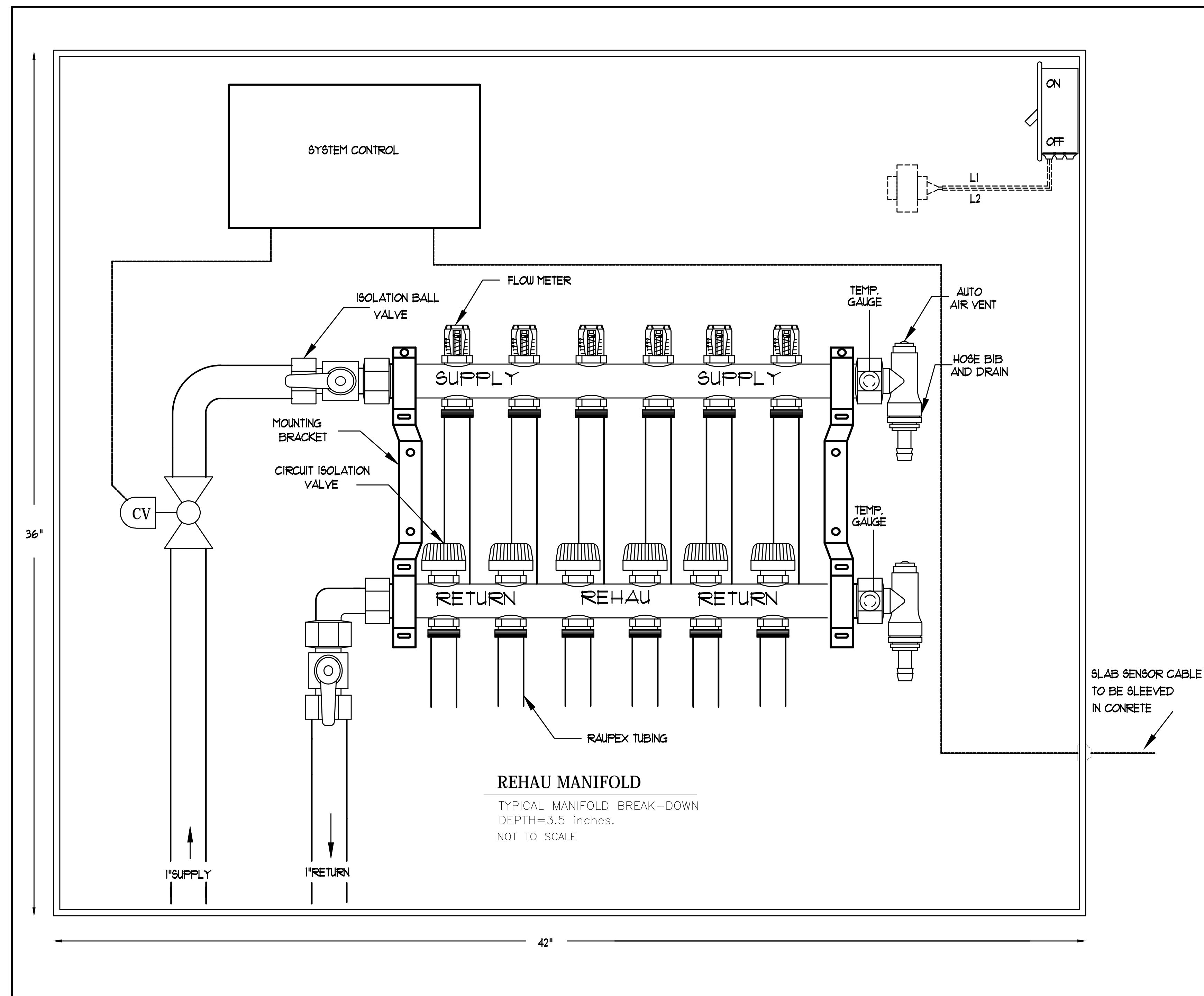


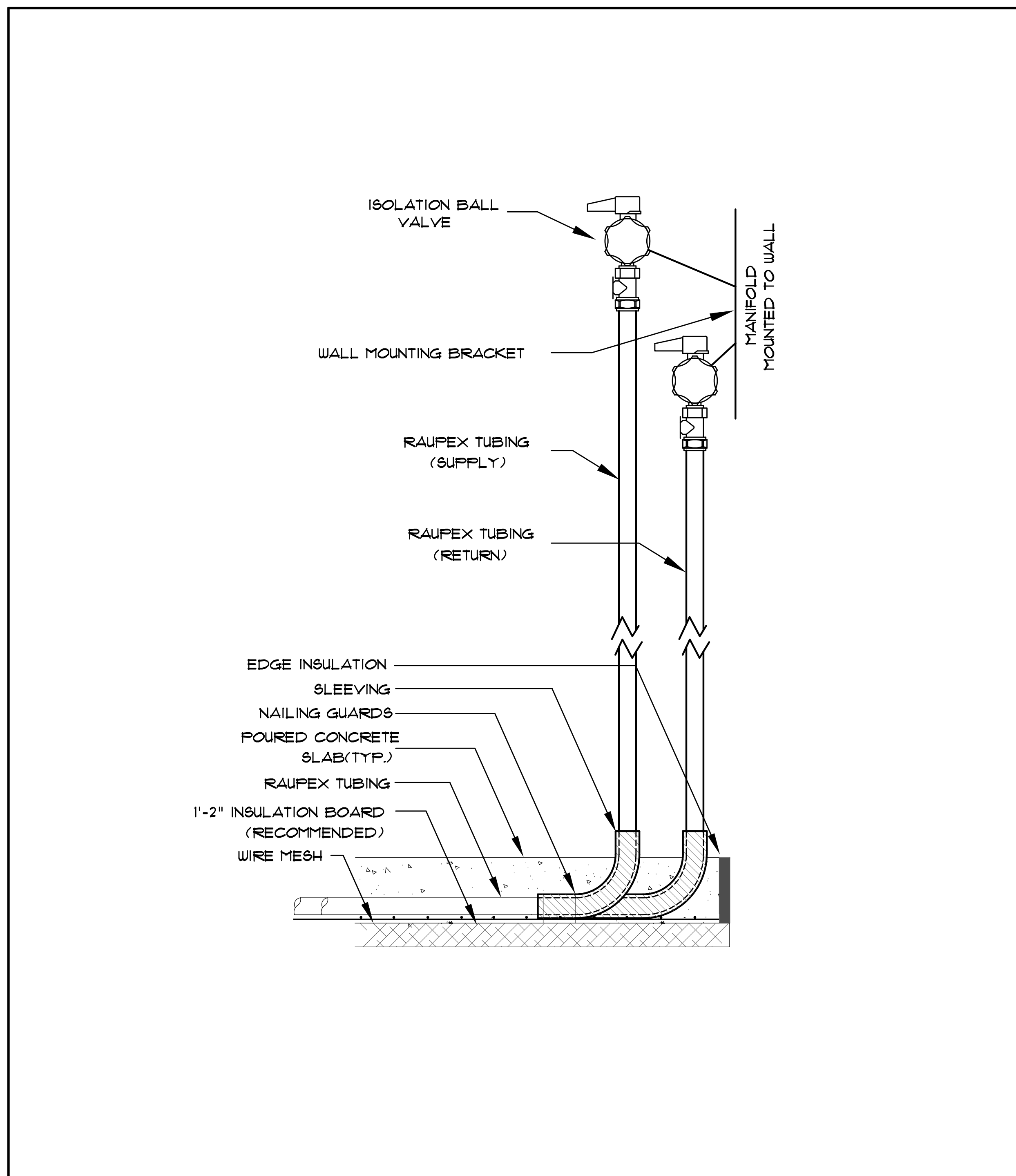
RFH PIPING SCHEMATIC

N.T.S.



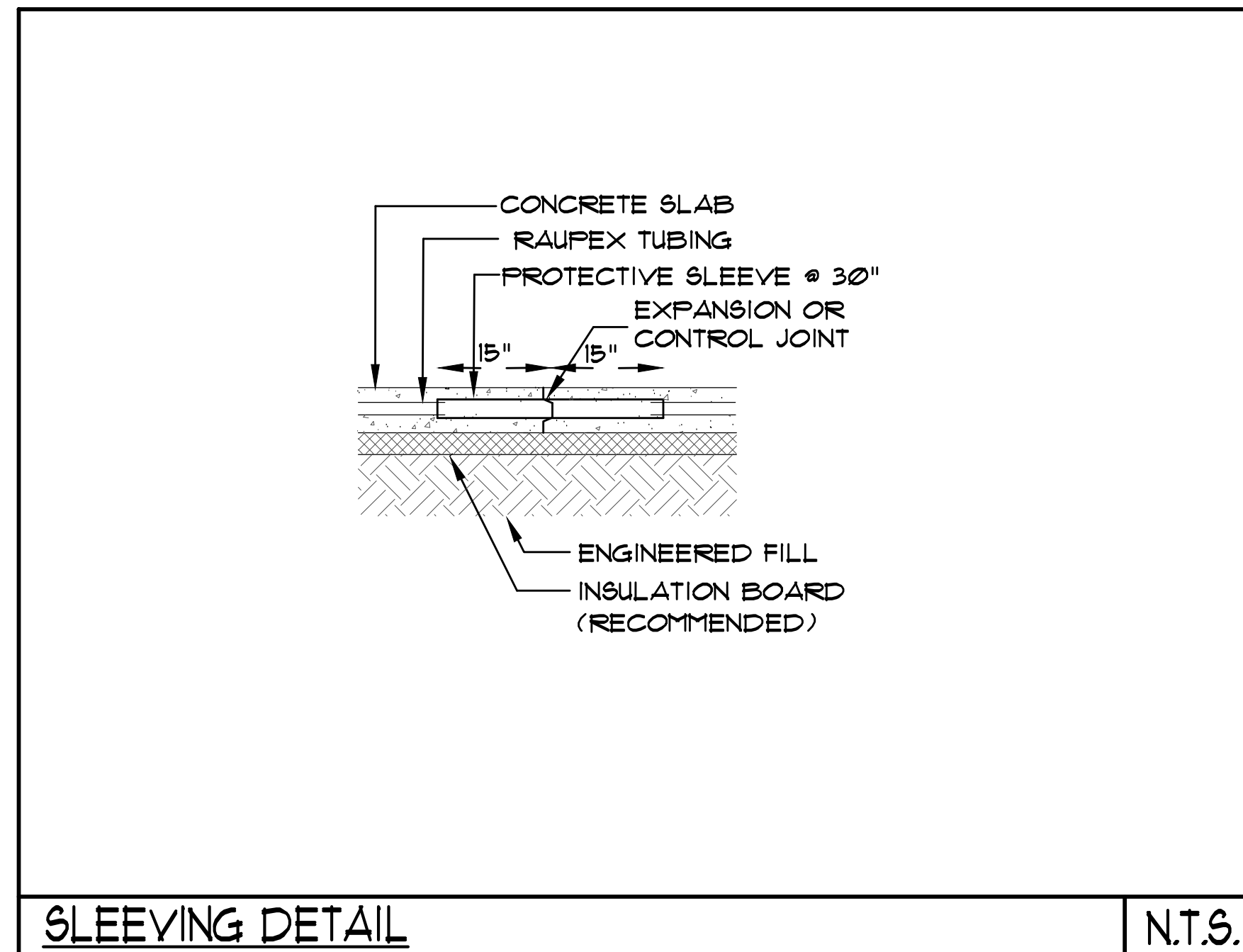
RFH PIPING SCHEMATIC

N.T.S.



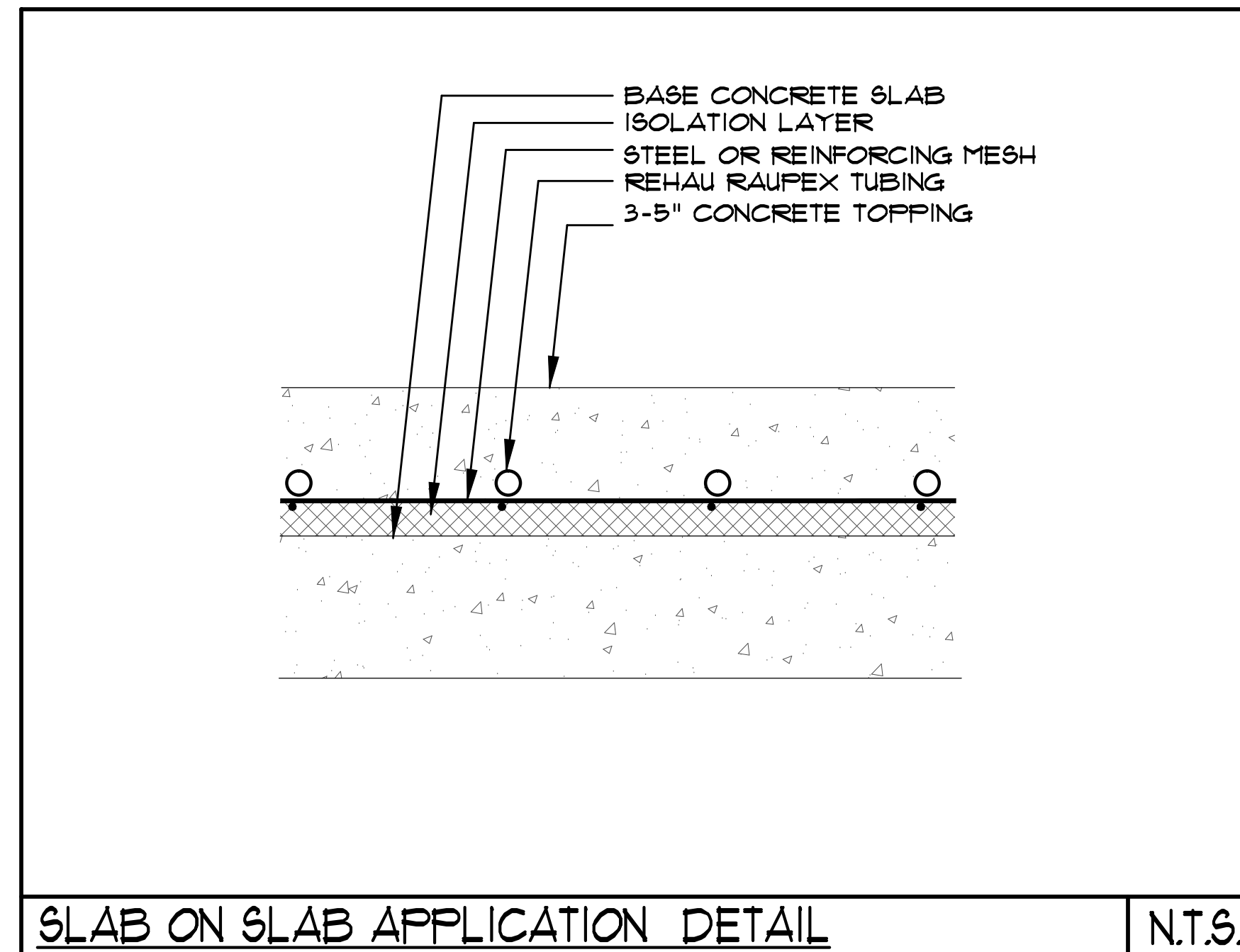
SLEEVE AND NAIL GUARD APPLICATION - FLOOR HEAT DETAIL

N.T.S.



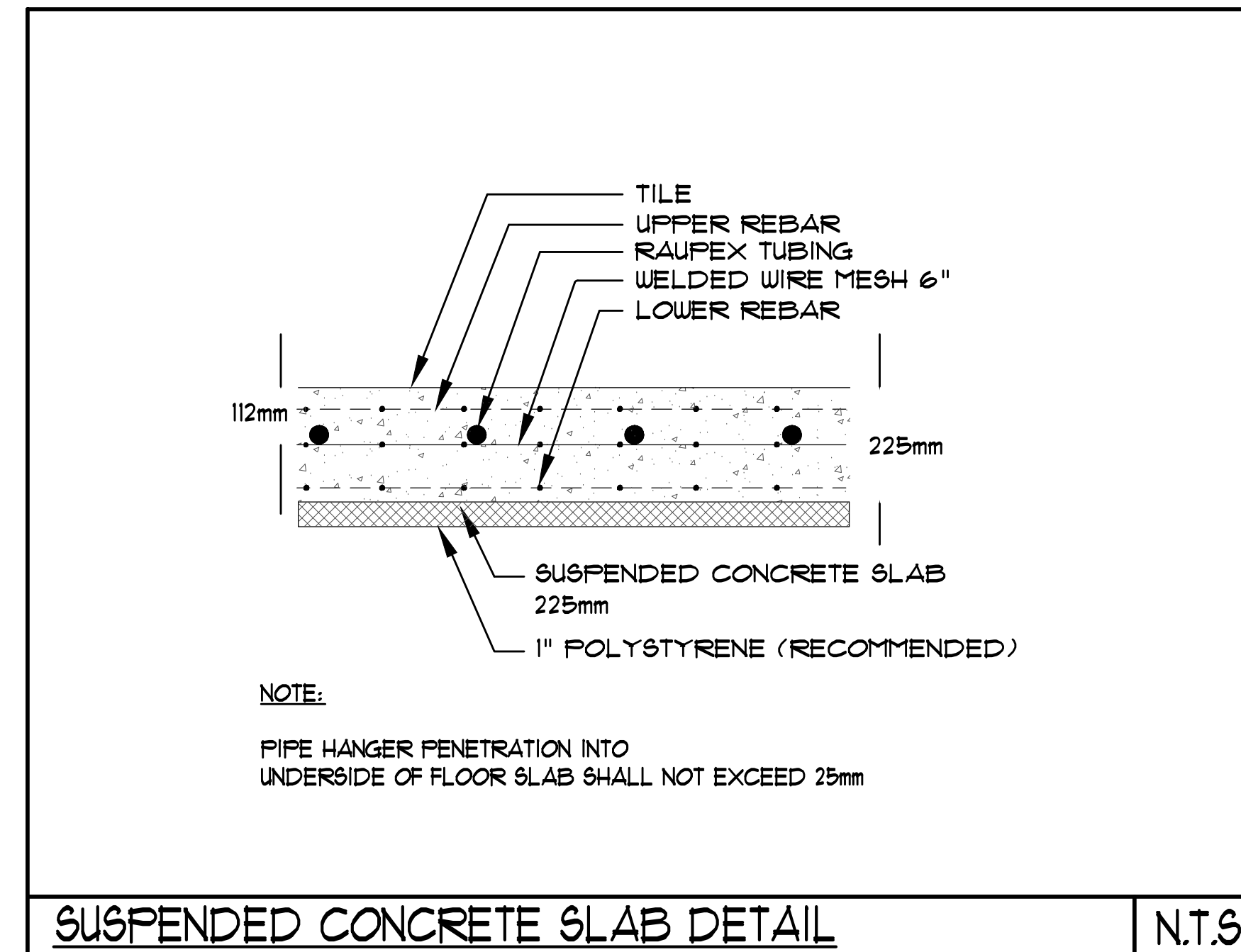
SLEEVE DETAIL

N.T.S.



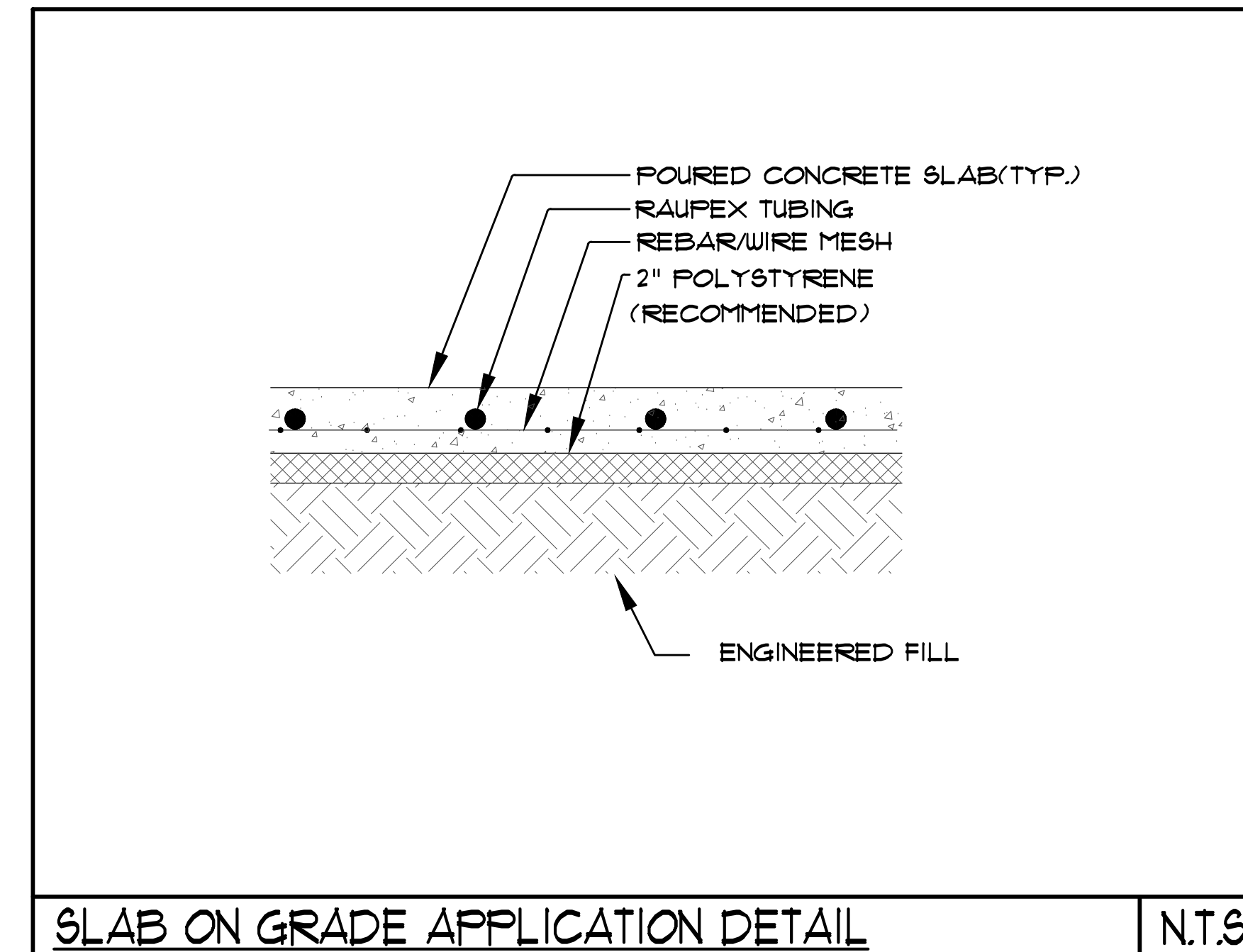
SLAB ON SLAB APPLICATION DETAIL

N.T.S.



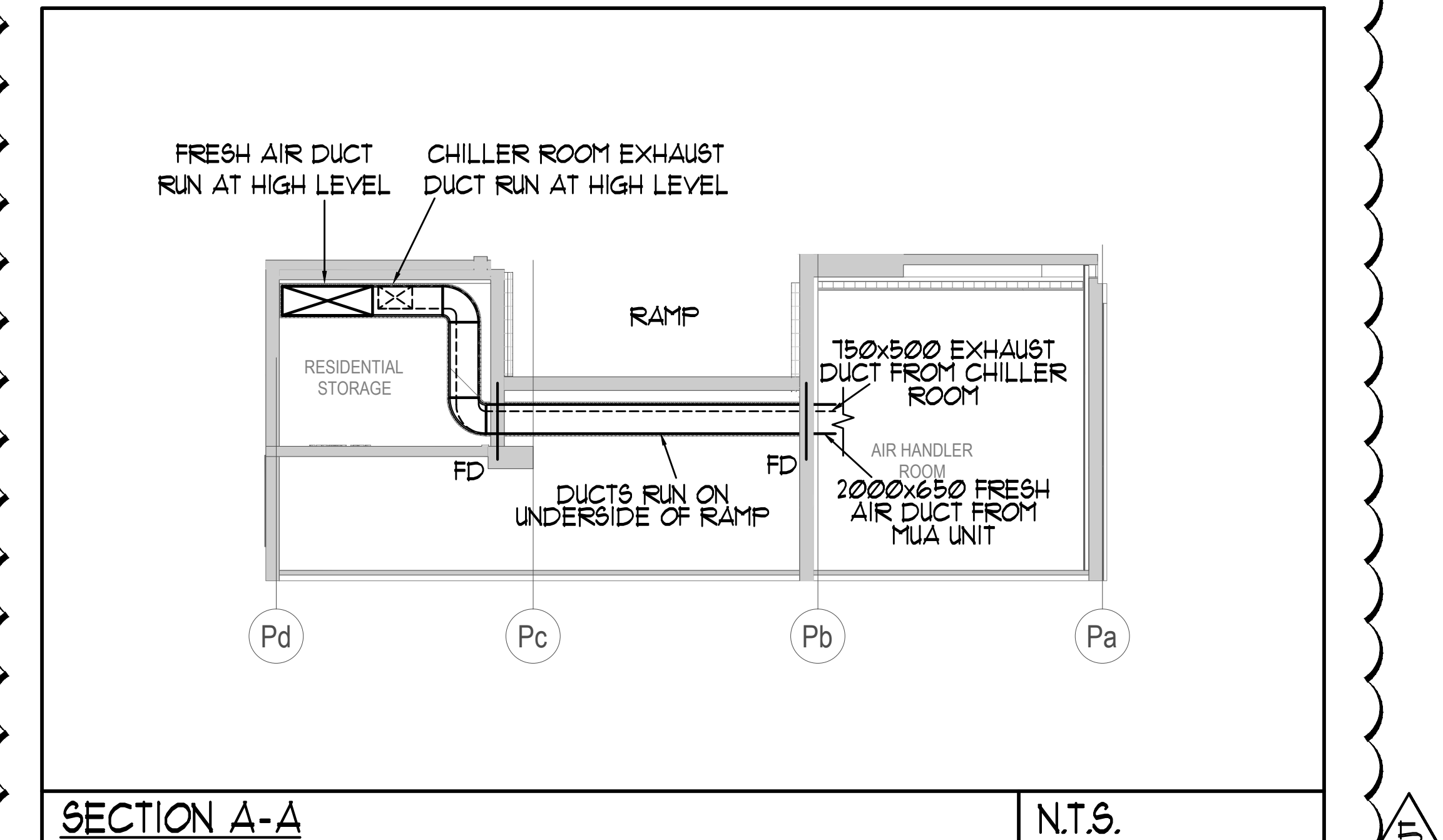
SUSPENDED CONCRETE SLAB DETAIL

N.T.S.



SLAB ON GRADE APPLICATION DETAIL

N.T.S.



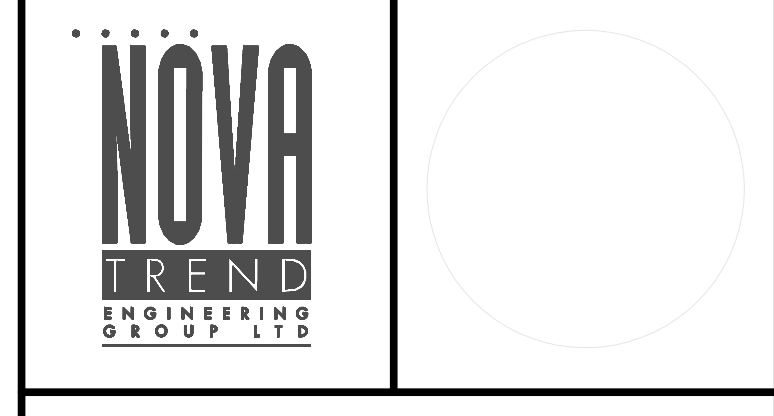
SECTION A-A

N.T.S.

NO.	DATE	DESCRIPTION	BY

**REVISIONS**

CONTRACTOR MUST CHECK AND VERIFY ALL DIMENSIONS AND CONDITIONS ON THE JOB AND REPORT DISCREPANCIES TO THE ENGINEER BEFORE PROCEEDING WITH THE WORK. THIS DRAWING IS THE PROPERTY OF THE ENGINEER AND NOT BE RETURNED FROM COMPLETION OF THE WORK.



175 West Beaver Creek Road, Unit 31  
Richmond Hill, Ontario L4B 3M1  
Tel: 905-882-5445  
Fax: 905-882-5447

DRAWING TITLE  
**DETAILS #2**

PROJECT TITLE  
**50 ALEXANDRA PARK  
BLOCK II**  
38 CAMERON STREET  
TORONTO

DATE	PROJECT NUMBER	DRAWING NUMBER	SCALE
FEB, 13	1313	M-41	N.T.S.