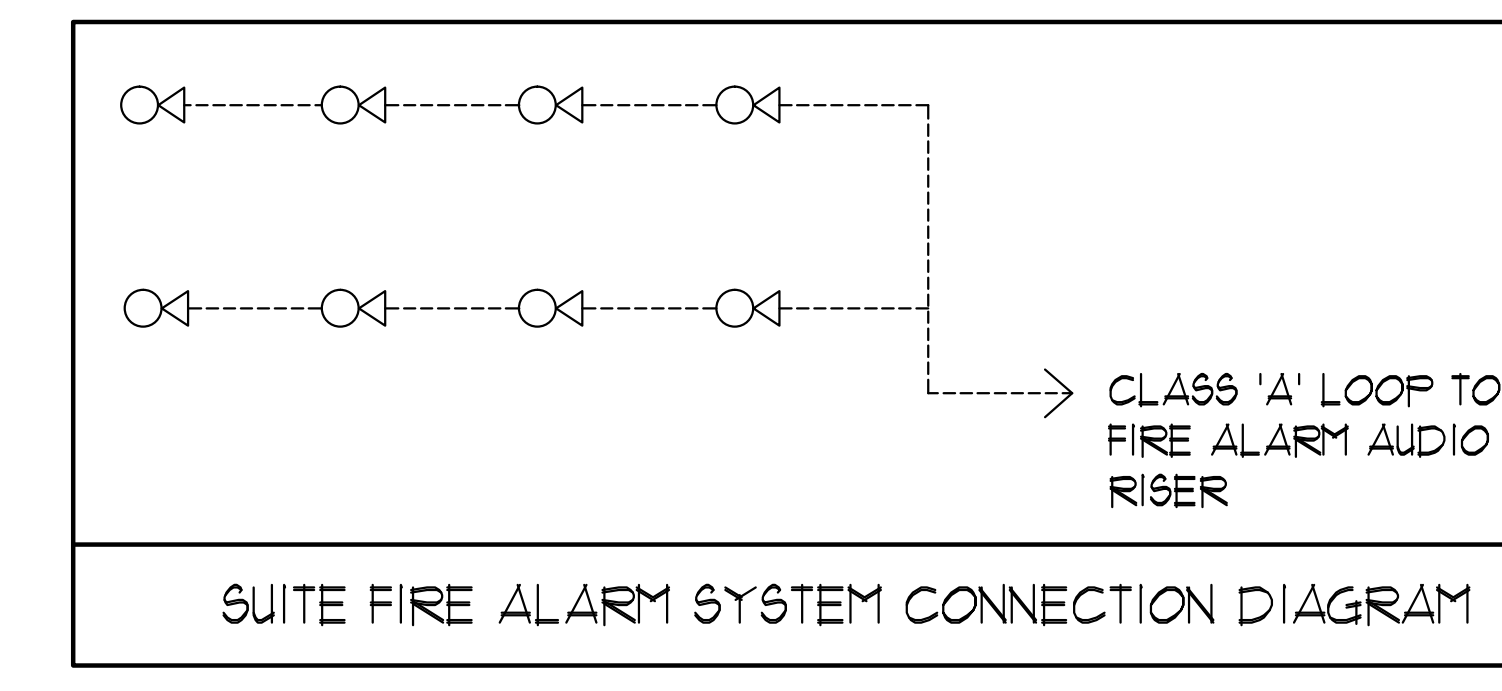


GENERAL AREA CIRCUITING - TABLE #1

LIGHTING FIXTURE LOCATION	RECEPTACLE LOCATION	CGT #
P4 TO P1 - EXIT SIGNS	EX-XX LOBBY (P4 TO P1)	EX-XX
G/F TO 10/F - EXIT SIGNS	EX-XX STAIR 'A' (5/F,2/F,2)	EX-XX
11/F TO ROOF - EXIT SIGNS	EX-XX STAIR 'B' (MFH302/124/118/15) FLOORS	EX-XX
LOBBY (P4 TO P1)	EX-XX STAIR 'B' (MFH302/124/118) FLOORS	EX-XX
STAIR 'A' (P4 TO G/F)	EX-XX STAIR 'C' (MFH302/124/118) FLOORS	EX-XX
CORRIDOR	EX-XX STAIR 'D' (MFH302/124/118) FLOORS	EX-XX
	EX-XX STAIR 'E' (P1) FLOOR	EX-XX
	EX-XX CORRIDOR	EX-XX



MOUNTING HEIGHT SCHEDULE
(DIMENSIONS ARE FROM FINISH FLOOR TO TOP OF WALL BOX)

OUTLET	SUITES	PUBLIC AREA
RECEPTACLE	18" FFF	18" FFF
KITCHEN COUNTER SPLIT RECEPTACLE	46" FFF	46" FFF
TV/TELEPHONE (MULTI-PORT) OUTLET	18" FFF	18" FFF
LIGHT SWITCH	38" FFF	38" FFF
SECURITY PANEL	62" FFF	62" FFF
WALL THERMOSTAT	62" FFF	62" FFF
FRIDGE RECEPTACLE	TO SUIT EQUIPMENT	
MICROWAVE/FAN UNIT RECEPTACLE	LOCATE IN UPPER CABINET ABOVE	
UNDER CABINET LIGHTING RECEPTACLE	LOCATE IN UPPER CABINET ABOVE MICROWAVE / FAN UNIT	
INTERCOM	41" FFF	41" FFF
FIREFIGHTER'S HANDSET	41" FFF	41" FFF
FULL STATION	41" FFF	41" FFF

- GENERAL NOTES - RESIDENTIAL:**
- ELECTRICAL DRAWINGS SHALL BE READ IN CONJUNCTION WITH MECHANICAL, STRUCTURAL, ARCHITECTURAL AND LANDSCAPE DRAWINGS.
 - CONTRACTOR SHALL RUN CABLES WITHIN CEILING SLAB OR ENCLOSURES TO RETAIN 2 HOUR FIRE PROTECTION RATING FOR ALL LOADS THAT CONNECT TO EMERGENCY POWER.
 - FIRE ALARM RISERS SHALL BE RUN IN 2 HOUR FIRE RATED ELECTRICAL CLOSET. REFER TO DWG. E-32 FOR RISER DIAGRAM AND DETAILS.
 - STAIRWAY WALL MOUNTED EMERGENCY LIGHT FIXTURES SHALL BE MOUNTED @ 1' AFF.
 - EMERGENCY LIGHT FIXTURES IN LOCKERS, STORAGE, GARBAGE, UTILITY AND SERVICE ROOMS SHALL BE CONNECTED TO BOTH NORMAL AND EMERGENCY POWER AS PER DETAIL #1 OF DWG. E-35.
 - FOR STORAGE ROOM VENTILATION SYSTEM, DIV. 16 TO PROVIDE CONDUIT, WIRING AND SWITCH (S) TO START/STOP FAN AND DAMPER. FAN AND 110V ACTUATOR TO BE SUPPLIED AND INSTALLED BY DIV. 15.
 - FOR UTILITY ROOM VENTILATION SYSTEM, DIV. 15 WILL PROVIDE LINE VOLTAGE THERMOSTAT (T) TO DIV. 16. DIV. 16 TO PROVIDE CONDUIT AND WIRING TO START/STOP FAN AND DAMPER VIA THERMOSTAT. FAN AND 110V ACTUATOR TO BE SUPPLIED AND INSTALLED BY DIV. 15.
 - REFER TO SPRINKLER DRAWINGS FOR FIRE PROTECTION DEVICE TO BE CONNECTED TO THE FIRE ALARM SYSTEM. THE DEVICE AND EQUIPMENT SHALL FORM AN INTEGRAL PART OF THE ELECTRICAL CONTRACT.
 - REFER TO SUITE PANEL SCHEDULES FOR INSUITE CIRCUIT ARRANGEMENT.
 - ALL DUELLING UNIT RECEPTACLES EXCEPT IN KITCHEN SHALL BE TAMPER PROOF.
 - PROVIDE GROUND FAULT PROTECTION FOR SUITE KITCHEN AND WASHROOM RECEPTACLES WITHIN 1500mm OF 51NCK.
 - PROVIDE TELECOMMUNICATION BOX (C/W) BUILT-IN RECEPTACLE FOR TELECOMMUNICATION. TELECOMMUNICATION BOX SHALL BE COMPLIANT WITH THE TELECOM SERVICE PROVIDER SPECIFICATION. REFER TO DETAIL #3 ON DWG. E-35 FOR TELECOM JUNCTION BOX INSTALLATION.
 - DRYER SENSOR TO START DRYER VENTILATION FAN AUTOMATICALLY WHEN DRYER IS RUNNING.
 - ALL SMOKE ALARMS WITHIN THE SUITE SHALL BE HARDWIRED TOGETHER AND TO A 15A, 1P CIRCUIT BREAKER AHEAD OF OTHER LOADS.
- KEY NOTES - RESIDENTIAL:**
- FOR CIRCUITING, REFER TO TABLE #1.
 - PROVIDE ALARM SPEAKER, SMOKE DETECTOR AND RECEPTACLE AT EVERY THIRD FLOOR STAIR WELL STARTING FROM TOP FLOOR. AS PER TO DWG. E-32 FOR FIRE ALARM RISER DIAGRAM.
 - REFER TO SUPERVISED VALVE AND FLOW SWITCH SCHEDULE ON DWG. E-XX FOR DETAILS ON TYPICAL FLOORS.
 - PROVIDE TELECOMMUNICATION BACKBOARD (C/W) 15V, 1P, 15A RECEPTACLE AS PER COMMUNICATION RISER DIAGRAM ON DWG. E-31.
 - CONTRACTOR SHALL REFER TO ELECTRICAL SINGLE LINE DIAGRAM ON DWG. E-30 AND SDP RISER ON DWG. E-31 FOR SDP LOCATIONS AND DISTRIBUTION.
 - PROVIDE CONDUIT AS PER RISER DETAIL #18 ON DWG. E-35 FOR BIGORTER/TRISORTER CONTROL SYSTEM.
 - ALL SUITE DOOR CONTACTS WILL COMPLETE WITH INTRUSION ALARM SYSTEM THAT CONTACT TO THE CONCIERGE STATION.
 - DESIGNATED "LAUNDRY RECEPTACLE" AS DEFINED BY ESA CODE 26-1101(e)(1), 26-1201(b) AND ESA BULLETIN 26-26-0 (WITHIN 3m RADIUS OF LAUNDRY CLOSET). RECEPTACLE SHALL BE CONNECTED TO A DEDICATED CIRCUIT. SEE DETAIL #4 ON DWG. E-35.
 - INSTALL SIDE-MOUNTED RECEPTACLE ON KITCHEN ISLAND CABINET.

ELECTRICAL LEGEND

LIGHTING

- FLUORESCENT LIGHT FIXTURE TYPE AS INDICATED
- NIGHT LIGHT OR LIGHT CONNECTED TO EMERGENCY POWER
- CEILING MOUNTED WALL MOUNTED LIGHT FIXTURE
- INSCRIBED LETTER DENOTES TYPE
- POLE MOUNTED LIGHT FIXTURE
- INSCRIBED LETTER DENOTES TYPE
- TRACK LIGHT
- STRIPE LIGHT
- UNDER CABINET FLUORESCENT LIGHT FIXTURE
- CEILING MOUNTED WALL MOUNTED EXIT SIGN
- EMERGENCY LIGHT FIXTURE
- EMERGENCY BATTERY PACK
- OCCUPANCY SENSOR POWER PACKS
- SINGLE/THREE POLE SINGLE/THREE PHASE THROUGH THE WALL SWITCH
- 13/14" (1/4" IP) DENOTES 3-WAY/4-WAY/PILOT LIGHT, OTHER SWITCHED LIGHT (RESPECTIVELY)
- MASTER LIGHTING SWITCH SWITCH
- DRYER WALL SWITCH FIRE SELF POWERED ACTUATOR TO BE SUPPLIED AND INSTALLED BY DIV. 15
- OCCUPANCY SENSOR CEILING MOUNTED

POWER

- REGULAR DUPLEX RECEPTACLE
- DUPLEX RECEPTACLE GROUND FAULT INTERRUPT
- 3-1/2" 1-1/2" DUPLEX RECEPTACLE
- SINGLE RECEPTACLE TYPE AND CONFIGURATION AS SPECIFIED FOR DRIVER
- CONNECTION FOR OVERCURRENT
- ABOVE COUNTER DEVICE
- CEILING MOUNTED DEVICES
- FLOOR MOUNTED DEVICES
- DISCONNECT SWITCH NON-FUSED
- DISCONNECT SWITCH FUSED
- COMPENSATION FUSE
- FRACTIONAL MOTOR/FAN DIRECT CONNECTION
- DIRECT CONNECTION SINGLE PHASE
- DIRECT CONNECTION THREE PHASE
- THERMOSTAT
- DRYER SENSOR
- HEAT TRACE
- ELECTRICAL HEATER
- ELECTRICAL PANEL / SECURITY PANEL

TELECOMMUNICATION

- TV/CABLE OUTLET
- TELEPHONE OUTLET
- TELEPHONE CABLE (MULTI-PORT) OUTLET
- DATA OUTLET
- DATA/TELEPHONE OUTLET
- IN SUITE TELECOM BOX (C/W) RECEPTACLE
- LIFT LOCATION
- MUSIC SPEAKER / VOLUME CONTROL
- RADIO RECEIVER

SECURITY

- INTERCOM / INTERPHONE
- INTERCOM WITH CAMERA
- PANIC BUTTON / PANIC INTERCOM STATION
- CARD READER
- AUTOMATIC RELEASE CARD ACCESS/RADIO RECEIVER
- ELECTRIC STRIKE
- MAGLOCK
- DOOR CONTACT / WINDOW CONTACT
- AUTOMATIC DOOR OPERATOR
- MOTION DETECTOR
- PUSH BUTTON
- SECURITY CAMERA

LIFE SAFETY

- FIRE ALARM SPOKE DETECTOR
- SPOKE ALARM
- FIRE ALARM DUCT TYPE SMOKE DETECTOR
- FIRE ALARM HEAT DETECTOR
- IN SUITE TELECOM BOX (C/W) HEAT DETECTOR
- MOISTURE PROOF HEAT DETECTOR
- CO ALARM
- COMBINATION SPOKE & CO ALARM
- CO SENSOR / NO SENSOR
- FIRE ALARM MANUAL PULL STATION
- FRONT/FIRE HANDSET
- FIRE ALARM STROBE/ALARM WALL MTD.
- MAGLOCK
- FIRE ALARM HORN-WALL MTD.
- FIRE ALARM HORN-HORN WALL MTD.
- FIRE ALARM SPEAKER-STROBE CEILING MTD.
- FIRE ALARM SPEAKER CEILING MTD.
- FIRE ALARM ANNUNCIATOR PANEL
- FIRE ALARM CONTROL PANEL

Drawing saved: \\cadd\proj\2014\1313 - alexandra park\01\1313 - 14.15 (P) ELEC.dwg Printed: Mar 10, 2014 - 10:43am

REVISIONS

NO.	DATE	DESCRIPTION

CONTRACTOR MUST CHECK AND VERIFY ALL DIMENSIONS AND CONDITIONS ON THE JOB AND REPORT DISCREPANCIES TO THE ENGINEER BEFORE PROCEEDING WITH THE WORK. THE DRAWINGS IS THE PROPERTY OF THE ENGINEER AND SHALL NOT BE REPRODUCED OR COPIED IN ANY MANNER. DRAWINGS ARE NOT TO BE SCALED.

NOVA TRENDS

1715 West Beaver Creek Road, Unit 31
Richmond Hill, Ontario L4B 3M1
Tel: 905-882-5445
Fax: 905-882-5441
Email: cadd@novatrendeng.com

PROJECT TITLE:
ALEXANDRA PARK

PROJECT LOCATION:
TORONTO, ONTARIO

DATE: FEB, 13
PROJECT NUMBER: 1313
DRAWING NUMBER: E-15

SCALE: 1:50

DRAWN BY: S.O.
CHECKED BY: S.T.

KEY PLAN

NTS.