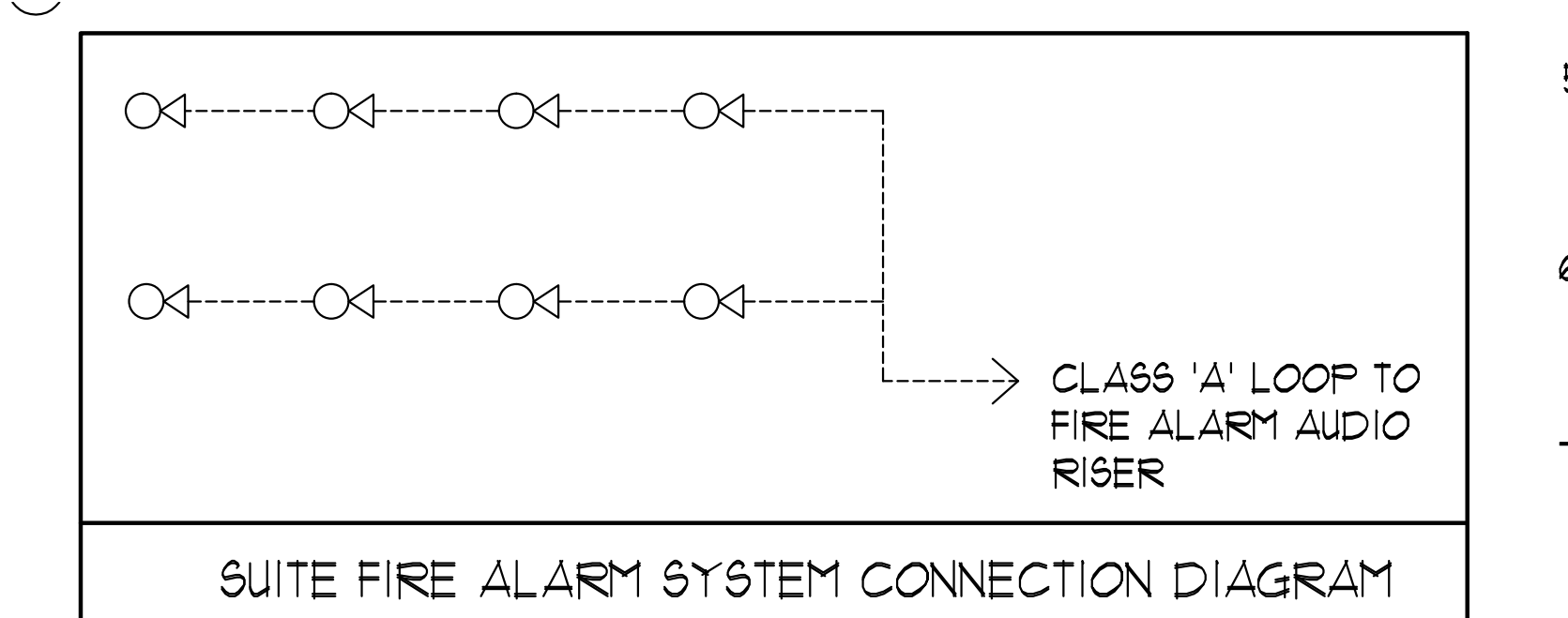


GENERAL AREA CIRCUITING - TABLE #1

LIGHTING FIXTURE LOCATION	RECEPTACLE LOCATION	CCT.
P4 TO P1 - EXIT SIGNS	EX-XX LOBBY (P4 TO P1)	EX-XX
G/F TO 10/F - EXIT SIGNS	EX-XX STAIR 'A' (3/F, 2/F, P2)	EX-XX
1/F TO ROOF - EXIT SIGNS	EX-XX STAIR 'B' (M/FH, 30/21/24/11/8/5) FLOORS	EX-XX
	EX-XX STAIR 'B' (12/3/6/3/P1/P4) FLOORS	EX-XX
LOBBY (P4 TO P1)	EX-XX STAIR 'C' (M/FH, 30/21/24/11) FLOORS	EX-XX
STAIR 'A' (P4 TO G/F)	EX-XX STAIR 'C' (18/5/3/6/3) FLOORS	EX-XX
CORRIDOR	EX-XX STAIR 'D' (P1/P4) FLOORS	EX-XX
	EX-XX STAIR 'E' (P1) FLOOR	EX-XX
	EX-XX CORRIDOR	EX-XX



MOUNTING HEIGHT SCHEDULE
(DIMENSIONS ARE FROM FINISH FLOOR TO TOP OF WALL BOX)

RECEPTACLE	SUITES	PUBLIC AREA
KITCHEN COUNTER SPLIT RECEPTACLE	18" F.F.F.	18" F.F.F.
TV/TELEPHONE (MULTI-PORT) OUTLET	46" F.F.F.	46" F.F.F.
TV/TELEPHONE (MULTI-PORT) OUTLET	18" F.F.F.	18" F.F.F.
SECURITY PANEL	62" F.F.F.	62" F.F.F.
WALL THERMOSTAT	62" F.F.F.	62" F.F.F.
FRIDGE RECEPTACLE	TO SUIT EQUIPMENT	
MICROWAVE/FAN UNIT RECEPTACLE	LOCATE IN UPPER CABINET ABOVE MICROWAVE / FAN UNIT	
INTERCOM	LOCATE IN UPPER CABINET ABOVE MICROWAVE / FAN UNIT	41" F.F.F.
FIREFIGHTER'S HANDSET		41" F.F.F.
FULL STATION		41" F.F.F.

- GENERAL NOTES - RESIDENTIAL:**
- ELECTRICAL DRAWINGS SHALL BE READ IN CONJUNCTION WITH MECHANICAL, STRUCTURAL, ARCHITECTURAL AND LANDSCAPE DRAWINGS.
 - CONTRACTOR SHALL RUN CABLES WITHIN CEILING SLAB OR ENCLOSURES TO RETAIN 2 HOUR FIRE PROTECTION RATINGS FOR ALL LOADS THAT CONNECT TO EMERGENCY POWER.
 - FIRE ALARM RISERS SHALL BE RUN IN 2 HOUR FIRE RATED ELECTRICAL CLOSET. REFER TO DUG. E-32 FOR RISER DIAGRAM AND DETAILS.
 - STAIRWAY WALL MOUNTED EMERGENCY LIGHT FIXTURES SHALL BE MOUNTED @ 7' AFF.
 - EMERGENCY LIGHT FIXTURES IN LOCKERS, STORAGE, GARBAGE, UTILITY AND SERVICE ROOMS SHALL BE CONNECTED TO BOTH NORMAL AND EMERGENCY POWER AS PER DETAIL #1 OF DUG. E-35.
 - FOR STORAGE ROOM VENTILATION SYSTEM, DIV. 16 TO PROVIDE CONDUIT, WIRING AND SWITCH (S) TO START/STOP FAN AND DAMPER. FAN AND 110V ACTUATOR TO BE SUPPLIED AND INSTALLED BY DIV. 15.
 - FOR UTILITY ROOM VENTILATION SYSTEM, DIV. 15 WILL PROVIDE LINE VOLTAGE THERMOSTAT (T) TO DIV. 16. DIV. 16 TO PROVIDE CONDUIT AND WIRING TO START/STOP FAN AND DAMPER VIA THERMOSTAT. FAN AND 110V ACTUATOR TO BE SUPPLIED AND INSTALLED BY DIV. 15.
 - REFER TO SPRINKLER DRAWINGS FOR FIRE PROTECTION DEVICE TO BE CONNECTED TO THE FIRE ALARM SYSTEM. THE DEVICE AND EQUIPMENT SHALL FORM AN INTEGRAL PART OF THE ELECTRICAL CONTRACT.
 - REFER TO SUITE PANEL SCHEDULES FOR INSUITE CIRCUIT ARRANGEMENT.
 - ALL DWELLING UNIT RECEPTACLES EXCEPT IN KITCHEN SHALL BE TAMPER PROOF.
 - PROVIDE GROUND FAULT PROTECTION FOR SUITE KITCHEN AND WASHROOM RECEPTACLES WITHIN 1500mm OF SINK.
 - PROVIDE TELECOMMUNICATION BOX C/W BUILT-IN RECEPTACLE FOR TELECOMMUNICATION. TELECOMMUNICATION BOX SHALL BE COMPLIANT WITH THE TELECOM SERVICE PROVIDER SPECIFICATION. REFER TO DETAIL #3 ON DUG. E-35 FOR TELECOM JUNCTION BOX INSTALLATION.
 - DRYER SENSOR TO START DRYER VENTILATION FAN AUTOMATICALLY WHEN DRYER IS RUNNING.
 - ALL SMOKE ALARMS WITHIN THE SUITE SHALL BE HARWIRED TOGETHER AND TO A 15A 1P CIRCUIT BREAKER AHEAD OF OTHER LOADS.

- KEY NOTES - RESIDENTIAL:**
- FOR CIRCUITING, REFER TO TABLE #1.
 - PROVIDE ALARM SPEAKER, SMOKE DETECTOR AND RECEPTACLE AT EVERY THIRD FLOOR STAIR WELL STARTING FROM TOP FLOOR. AS PER TO DUG. E-32 FOR FIRE ALARM RISER DIAGRAM.
 - REFER TO SUPERVISED VALVE AND FLOW SWITCH SCHEDULE ON DUG. E-XX FOR DETAILS ON TYPICAL FLOORS.
 - PROVIDE TELECOMMUNICATION BACKBOARD C/W 115V, 16 15A RECEPTACLE AS PER COMMUNICATION RISER DIAGRAM ON DUG. E-31.
 - CONTRACTOR SHALL REFER TO ELECTRICAL SINGLE LINE DIAGRAM ON DUG. E-30 AND SDP RISER ON DUG. E-31 FOR SDP LOCATIONS AND DISTRIBUTION.
 - PROVIDE CONDUIT AS PER RISER DETAIL #18 ON DUG. E-35 FOR BISORTER/TRISORTER CONTROL SYSTEM.
 - ALL SUITE DOOR CONTACTS WILL COMPLETE WITH INTRUSION ALARM SYSTEM THAT CONTACT TO THE CONCIERGE STATION.
 - DESIGNATED "LAUNDRY RECEPTACLE" AS DEFINED BY ESA CODE 26-110(11), 26-120(b) AND ESA BULLETIN 26-26-0 (WITHIN 3m RADIUS OF LAUNDRY CLOSET). RECEPTACLE SHALL BE CONNECTED TO A DEDICATED CIRCUIT. SEE DETAIL #4 ON DUG. E-35.
 - INSTALL SIDE-MOUNTED RECEPTACLE ON KITCHEN ISLAND CABINET.

ELECTRICAL LEGEND

LIGHTING

- FLUORESCENT LIGHT FIXTURE TYPE AS INDICATED
- NIGHT LIGHT OR LIGHT CONNECTED TO EMERGENCY POWER
- CEILING MOUNTED WALL MOUNTED LIGHT FIXTURE
- INSCRIBED LETTER DENOTES TYPE
- POLE MOUNTED LIGHT FIXTURE
- INSCRIBED LETTER DENOTES TYPE
- CAPPED CEILING LIGHT OUTLET
- TRACK LIGHT
- STRIP LIGHT
- UNDER CABINET FLUORESCENT LIGHT FIXTURE
- CEILING MOUNTED WALL MOUNTED EXIT SIGN
- EMERGENCY LIGHT FIXTURE
- EMERGENCY BATTERY PACK
- OCCUPANCY SENSOR POWER PACKS
- 1/4" SINGLE/THREE POLE SINGLE/THREE THRU DOUBLE SWITCH RESPECTIVELY
- 1/4" 1P/3P DENOTES 15A/4-WAY/FLYOUT LIGHT, DIFFER SWITCHED LIGHT RESPECTIVELY
- MASTER LIGHTING SWITCH SWITCH
- SENSOR WALL SWITCH SELF POWERED
- OCCUPANCY SENSOR CEILING MOUNTED

POWER

- REGULAR DUPLEX RECEPTACLE
- DUPLEX RECEPTACLE GROUND FAULT INTERRUPT
- 3-1/2" 1-1/2" DUPLEX RECEPTACLE
- SINGLE RECEPTACLE TYPE AND CONFIGURATION AS SPECIFIED FOR DRYER
- CONNECTION FOR OVERCURRENT
- ABOVE COUNTER DEVICE
- CEILING MOUNTED DEVICES
- FLOOR MOUNTED DEVICES
- DISCONNECT SWITCH NON-FUSED
- DISCONNECT SWITCH FUSED
- COMBINATION SWITCH
- FRACTIONAL MOTOR/FAN DIRECT CONNECTION
- DIRECT CONNECTION SINGLE PHASE
- DIRECT CONNECTION THREE PHASE
- THERMOSTAT
- DRYER SENSOR
- HEAT TRACE
- ELECTRICAL HEATER
- ELECTRICAL PANEL / SECURITY PANEL

TELECOMMUNICATION

- TV/CABLE OUTLET
- TELEPHONE OUTLET
- TELEPHONE CABLE (MULTI-PORT) OUTLET
- DATA OUTLET
- DATA/TELEPHONE OUTLET
- IN SUITE TELECOM BOX C/W RECEPTACLE
- LIFT LOCATION
- MUSIC SPEAKER / VOLUME CONTROL
- RADIO RECEIVER

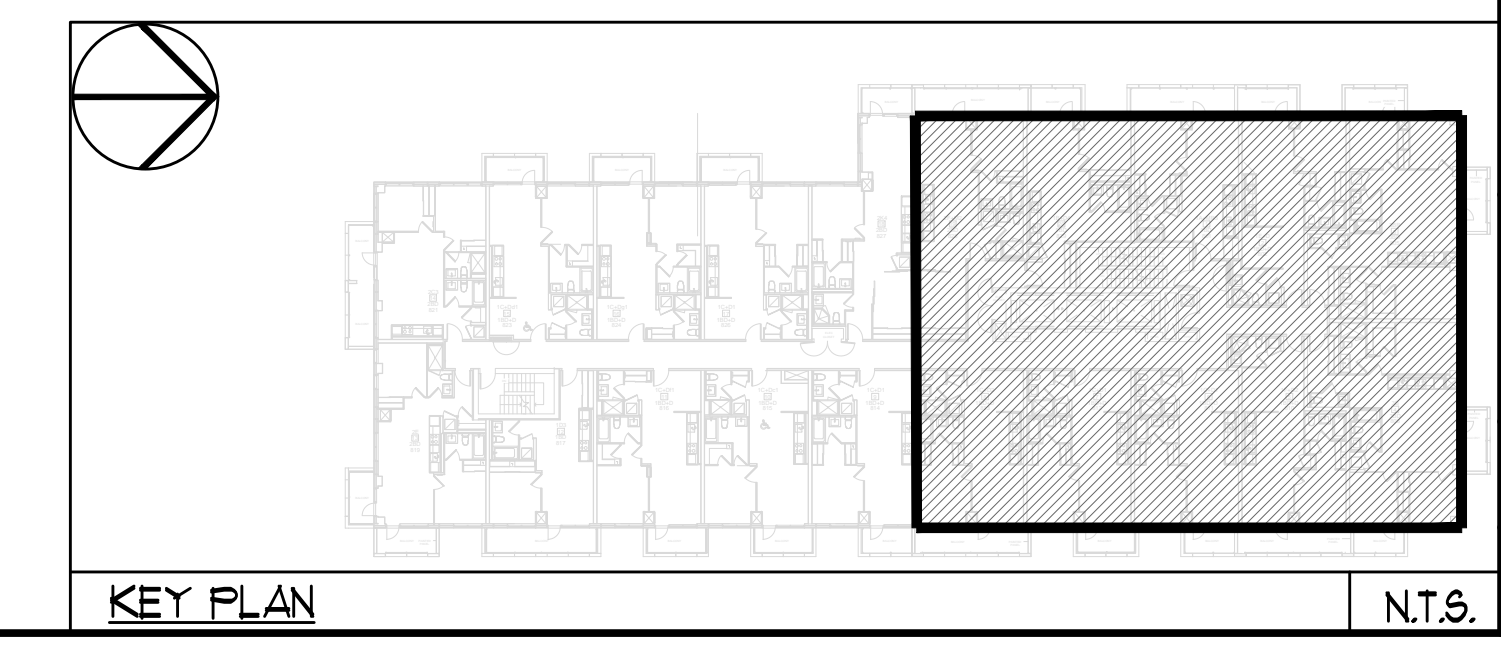
SECURITY

- INTERCOM / INTERPHONE
- INTERCOM WITH CAMERA
- PANIC BUTTON / PANIC INTERCOM STATION
- CARD READER
- AUTOMATIC RELEASE CARD ACCESS/RADIO
- KEYPAD
- ELECTRIC STRIKE
- MAGLOCK
- DOOR CONTACT / WINDOW CONTACT
- AUTOMATIC DOOR OPERATOR
- MOTION DETECTOR
- PUSH BUTTON
- SECURITY CAMERA

LIFE SAFETY

- FIRE ALARM SMOKE DETECTOR
- SPOKE ALARM
- FIRE ALARM DUCT TYPE SMOKE DETECTOR
- FIRE ALARM HEAT DETECTOR
- FIXED TRIP 80 °C SMOKE HEAT DETECTOR
- MOISTURE PROOF HEAT DETECTOR
- CO ALARM
- COMBINATION SPOKE & CO ALARM
- CO SENSOR / NO SENSOR
- FIRE ALARM MANUAL PULL STATION
- FIREFIGHTER'S HANDSET
- FIRE ALARM STROBE/ALARM WALL MTD.
- FIRE ALARM HORN/WALL MTD.
- FIRE ALARM HORN/HORN WALL MTD.
- FIRE ALARM SPEAKER/STROBE CEILING MTD.
- FIRE ALARM SPEAKER CEILING MTD.
- FIRE ALARM ANNUNCIATOR PANEL
- FIRE ALARM CONTROL PANEL

Drawing sheet: \V\drawing\000\Current\DWG\1313 - Alexandra Park\011A\1313 - 2021 (R) E133.dwg Printed: Mar 10, 2014 - 10:40am



REVISIONS

NO.	DATE	DESCRIPTION

NOVA TRENDS

175 West Beaver Creek Road, Unit 31
Richmond Hill, Ontario L4B 3M1
Tel: 905-882-5445
Fax: 905-882-5441
Email: cad@novatrendeng.com

PROJECT TITLE
ALEXANDRA PARK

CLIENT
XXX TORONTO ONTARIO

DATE
FEB, 13

PROJECT NUMBER
1313

DRAWING NUMBER
E-21

SCALE
1:50

DRAWN BY
S.O.

CHECKED BY
S.T.

DATE
FEB, 13

PROJECT NUMBER
1313

DRAWING NUMBER
E-21