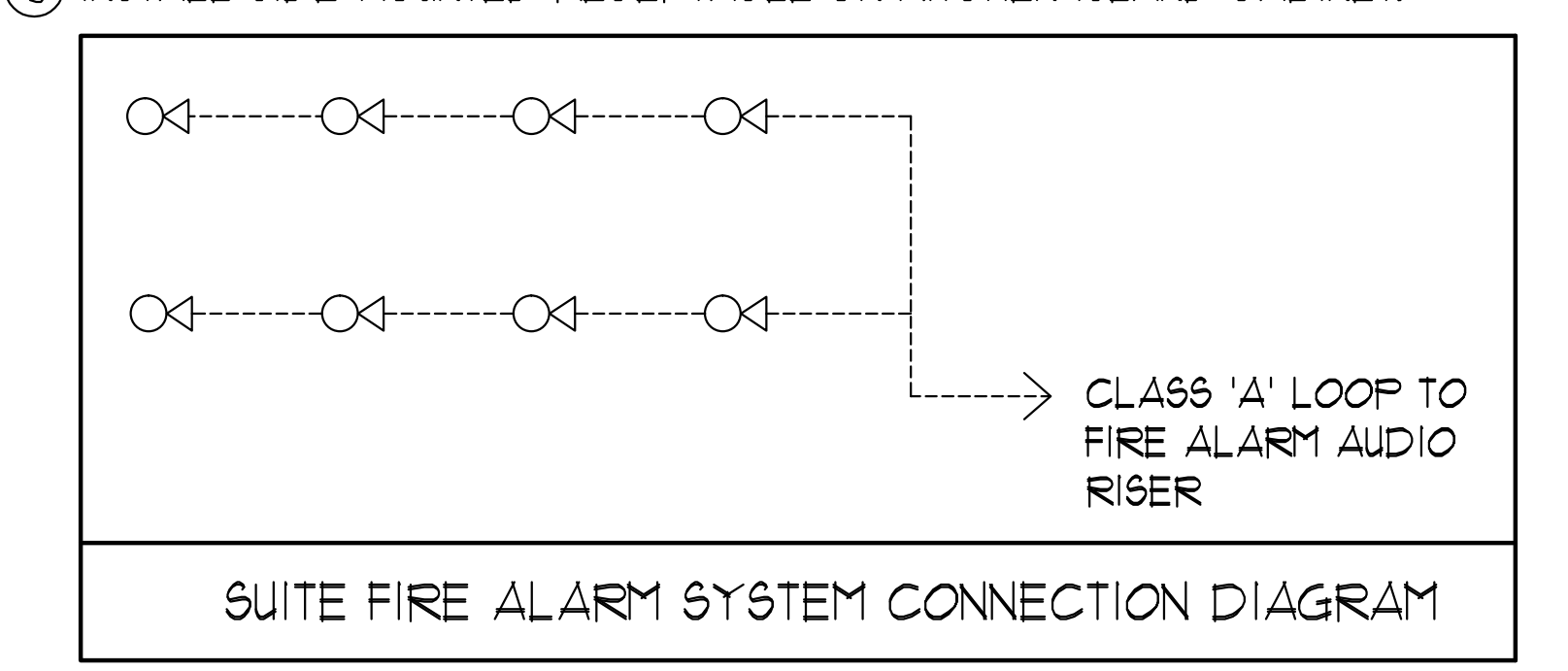


GENERAL AREA CIRCUITING - TABLE #1

LIGHTING FIXTURE LOCATION	CCT. #	RECEPTACLE LOCATION	CCT. #
F4 TO P1 - EXIT SIGNS	EX-XX	LOBBY (F4 TO P1)	EX-XX
F4 TO 10/F - EXIT SIGNS	EX-XX	STAIR 'A' (5/F,2/F,2)	EX-XX
11/F TO ROOF - EXIT SIGNS	EX-XX	STAIR 'B' (MF#3021242118) FLOORS	EX-XX
LOBBY (F4 TO P1)	EX-XX	STAIR 'B' (12,9,6,3,1/F,4) FLOORS	EX-XX
STAIR 'A' (F4 TO G/F)	EX-XX	STAIR 'C' (MF#30212421) FLOORS	EX-XX
CORRIDOR	EX-XX	STAIR 'C' (18,15,12,9,6,3) FLOORS	EX-XX
		STAIR 'D' (F1/F4) FLOORS	EX-XX
		STAIR 'E' (F1) FLOOR	EX-XX
		CORRIDOR	EX-XX



MOUNTING HEIGHT SCHEDULE
(DIMENSIONS ARE FROM FINISH FLOOR TO TOP OF WALL BOX)

OUTLET	SUITES	PUBLIC AREA
RECEPTACLE	18" F.F.F.	18" F.F.F.
KITCHEN COUNTER SPLIT RECEPTACLE	46" F.F.F.	46" F.F.F.
TV/TELEPHONE (MULTI-PORT) OUTLET	18" F.F.F.	18" F.F.F.
LIGHT SWITCH	38" F.F.F.	38" F.F.F.
SECURITY PANEL	62" F.F.F.	62" F.F.F.
WALL THERMOSTAT	62" F.F.F.	62" F.F.F.
FRIDGE RECEPTACLE	TO SUIT EQUIPMENT	
MICROWAVE/FAN UNIT RECEPTACLE	LOCATE IN UPPER CABINET ABOVE	
UNDER CABINET LIGHTING RECEPTACLE	LOCATE IN UPPER CABINET ABOVE MICROWAVE / FAN UNIT	
INTERCOM	41" F.F.F.	
FIREFIGHTER'S HANDSET		41" F.F.F.
FULL STATION		41" F.F.F.

- GENERAL NOTES - RESIDENTIAL:**
- ELECTRICAL DRAWINGS SHALL BE READ IN CONJUNCTION WITH MECHANICAL, STRUCTURAL, ARCHITECTURAL AND LANDSCAPE DRAWINGS.
 - CONTRACTOR SHALL RUN CABLES WITHIN CEILING SLAB OR ENCLOSURES TO RETAIN 2 HOUR FIRE PROTECTION RATING FOR ALL LOADS THAT CONNECT TO EMERGENCY POWER.
 - FIRE ALARM RISERS SHALL BE RUN IN 2 HOUR FIRE RATED ELECTRICAL CLOSET. REFER TO DUG. E-32 FOR RISER DIAGRAM AND DETAILS.
 - STAIRWAY WALL MOUNTED EMERGENCY LIGHT FIXTURES SHALL BE MOUNTED @ 7' AFF.
 - EMERGENCY LIGHT FIXTURES IN LOCKERS, STORAGE, GARBAGE, UTILITY AND SERVICE ROOMS SHALL BE CONNECTED TO BOTH NORMAL AND EMERGENCY POWER AS PER DETAIL #1 OF DUG. E-35.
 - FOR STORAGE ROOM VENTILATION SYSTEM, DIV. 16 TO PROVIDE CONDUIT, WIRING AND SWITCH (S) TO START/STOP FAN AND DAMPER. FAN AND 110V ACTUATOR TO BE SUPPLIED AND INSTALLED BY DIV. 15.
 - FOR UTILITY ROOM VENTILATION SYSTEM, DIV. 15 WILL PROVIDE LINE VOLTAGE THERMOSTAT (T) TO DIV. 16. DIV. 16 TO PROVIDE CONDUIT AND WIRING TO START/STOP FAN AND DAMPER VIA THERMOSTAT. FAN AND 110V ACTUATOR TO BE SUPPLIED AND INSTALLED BY DIV. 15.
 - REFER TO SPRINKLER DRAWINGS FOR FIRE PROTECTION DEVICE TO BE CONNECTED TO THE FIRE ALARM SYSTEM. THE DEVICE AND EQUIPMENT SHALL FORM AN INTEGRAL PART OF THE ELECTRICAL CONTRACT.
 - REFER TO SUITE PANEL SCHEDULES FOR INSUITE CIRCUIT ARRANGEMENT.
 - ALL DUELLING UNIT RECEPTACLES EXCEPT IN KITCHEN SHALL BE TAMPER PROOF.
 - PROVIDE GROUND FAULT PROTECTION FOR SUITE KITCHEN AND WASHROOM RECEPTACLES WITHIN 1500mm OF SINK.
 - PROVIDE TELECOMMUNICATION BOX C/W BUILT-IN RECEPTACLE FOR TELECOMMUNICATION. TELECOMMUNICATION BOX SHALL BE COMPLIANT WITH THE TELECOM SERVICE PROVIDER SPECIFICATION. REFER TO DETAIL #3 ON DUG. E-35 FOR TELECOM JUNCTION BOX INSTALLATION.
 - DRYER SENSOR TO START DRYER VENTILATION FAN AUTOMATICALLY WHEN DRYER IS RUNNING.
 - ALL SMOKE ALARMS WITHIN THE SUITE SHALL BE HARDWIRED TOGETHER AND TO A 15A, 1P CIRCUIT BREAKER AHEAD OF OTHER LOADS.

- KEY NOTES - RESIDENTIAL:**
- FOR CIRCUITING, REFER TO TABLE #1.
 - PROVIDE ALARM SPEAKER, SMOKE DETECTOR AND RECEPTACLE AT EVERY THIRD FLOOR STAIR WELL STARTING FROM TOP FLOOR, AS PER TO DUG. E-32 FOR FIRE ALARM RISER DIAGRAM.
 - REFER TO SUPERVISED VALVE AND FLOW SWITCH SCHEDULE ON DUG. E-XX FOR DETAILS ON TYPICAL FLOORS.
 - PROVIDE TELECOMMUNICATION BACKBOARD C/W 15V, 1P 15A RECEPTACLE AS PER COMMUNICATION RISER DIAGRAM ON DUG. E-31.
 - CONTRACTOR SHALL REFER TO ELECTRICAL SINGLE LINE DIAGRAM ON DUG. E-30 AND SDP RISER ON DUG. E-31 FOR SDP LOCATIONS AND DISTRIBUTION.
 - PROVIDE CONDUIT AS PER RISER DETAIL #18 ON DUG. E-35 FOR BIGORIER/TRISORTIER CONTROL SYSTEM.
 - ALL SUITE DOOR CONTACTS WILL COMPLETE WITH INTRUSION ALARM SYSTEM THAT CONTACT TO THE CONCIERGE STATION.
 - DESIGNATED "LAUNDRY RECEPTACLE" AS DEFINED BY ESA CODE 26-110(e)(1), 26-120(b) AND ESA BULLETIN 26-26-0 (WITHIN 3m RADIUS OF LAUNDRY CLOSET). RECEPTACLE SHALL BE CONNECTED TO A DEDICATED CIRCUIT. SEE DETAIL #4 ON DUG. E-35.
 - INSTALL SIDE-MOUNTED RECEPTACLE ON KITCHEN ISLAND CABINET.

ELECTRICAL LEGEND

LIGHTING

- FLUORESCENT LIGHT FIXTURE TYPE AS INDICATED
- NIGHT LIGHT OR LIGHT CONNECTED TO EMERGENCY POWER
- CEILING MOUNTED WALL MOUNTED LIGHT FIXTURE
- POLE MOUNTED LIGHT FIXTURE
- CHAFFED CEILING LIGHT OUTLET
- TRACK LIGHT
- STRIP LIGHT
- UNDER CABINET FLUORESCENT LIGHT FIXTURE
- CEILING MOUNTED WALL MOUNTED EXIT SIGN
- EMERGENCY LIGHT LAMP REINFORCED HEAD
- EMERGENCY BATTERY PACK
- OCCUPANCY SENSOR POWER PACKS
- 1/4" SINGLE/THREE POLE SINGLE/THREE THROUGH SINGLE SWITCH RESPECTIVELY
- 1/2" 1/4" 3/4" DENOTES 1/4" 1/2" 3/4" 1" 1 1/2" 2" 2 1/2" 3" 3 1/2" 4" 4 1/2" 5" 5 1/2" 6" 6 1/2" 7" 7 1/2" 8" 8 1/2" 9" 9 1/2" 10" 10 1/2" 11" 11 1/2" 12" 12 1/2" 14" 14 1/2" 16" 16 1/2" 18" 18 1/2" 20" 20 1/2" 24" 24 1/2" 28" 28 1/2" 32" 32 1/2" 36" 36 1/2" 40" 40 1/2" 44" 44 1/2" 48" 48 1/2" 52" 52 1/2" 56" 56 1/2" 60" 60 1/2" 64" 64 1/2" 68" 68 1/2" 72" 72 1/2" 76" 76 1/2" 80" 80 1/2" 84" 84 1/2" 88" 88 1/2" 92" 92 1/2" 96" 96 1/2" 100" 100 1/2" 104" 104 1/2" 108" 108 1/2" 112" 112 1/2" 116" 116 1/2" 120" 120 1/2" 124" 124 1/2" 128" 128 1/2" 132" 132 1/2" 136" 136 1/2" 140" 140 1/2" 144" 144 1/2" 148" 148 1/2" 152" 152 1/2" 156" 156 1/2" 160" 160 1/2" 164" 164 1/2" 168" 168 1/2" 172" 172 1/2" 176" 176 1/2" 180" 180 1/2" 184" 184 1/2" 188" 188 1/2" 192" 192 1/2" 196" 196 1/2" 200" 200 1/2" 204" 204 1/2" 208" 208 1/2" 212" 212 1/2" 216" 216 1/2" 220" 220 1/2" 224" 224 1/2" 228" 228 1/2" 232" 232 1/2" 236" 236 1/2" 240" 240 1/2" 244" 244 1/2" 248" 248 1/2" 252" 252 1/2" 256" 256 1/2" 260" 260 1/2" 264" 264 1/2" 268" 268 1/2" 272" 272 1/2" 276" 276 1/2" 280" 280 1/2" 284" 284 1/2" 288" 288 1/2" 292" 292 1/2" 296" 296 1/2" 300" 300 1/2" 304" 304 1/2" 308" 308 1/2" 312" 312 1/2" 316" 316 1/2" 320" 320 1/2" 324" 324 1/2" 328" 328 1/2" 332" 332 1/2" 336" 336 1/2" 340" 340 1/2" 344" 344 1/2" 348" 348 1/2" 352" 352 1/2" 356" 356 1/2" 360" 360 1/2" 364" 364 1/2" 368" 368 1/2" 372" 372 1/2" 376" 376 1/2" 380" 380 1/2" 384" 384 1/2" 388" 388 1/2" 392" 392 1/2" 396" 396 1/2" 400" 400 1/2" 404" 404 1/2" 408" 408 1/2" 412" 412 1/2" 416" 416 1/2" 420" 420 1/2" 424" 424 1/2" 428" 428 1/2" 432" 432 1/2" 436" 436 1/2" 440" 440 1/2" 444" 444 1/2" 448" 448 1/2" 452" 452 1/2" 456" 456 1/2" 460" 460 1/2" 464" 464 1/2" 468" 468 1/2" 472" 472 1/2" 476" 476 1/2" 480" 480 1/2" 484" 484 1/2" 488" 488 1/2" 492" 492 1/2" 496" 496 1/2" 500" 500 1/2" 504" 504 1/2" 508" 508 1/2" 512" 512 1/2" 516" 516 1/2" 520" 520 1/2" 524" 524 1/2" 528" 528 1/2" 532" 532 1/2" 536" 536 1/2" 540" 540 1/2" 544" 544 1/2" 548" 548 1/2" 552" 552 1/2" 556" 556 1/2" 560" 560 1/2" 564" 564 1/2" 568" 568 1/2" 572" 572 1/2" 576" 576 1/2" 580" 580 1/2" 584" 584 1/2" 588" 588 1/2" 592" 592 1/2" 596" 596 1/2" 600" 600 1/2" 604" 604 1/2" 608" 608 1/2" 612" 612 1/2" 616" 616 1/2" 620" 620 1/2" 624" 624 1/2" 628" 628 1/2" 632" 632 1/2" 636" 636 1/2" 640" 640 1/2" 644" 644 1/2" 648" 648 1/2" 652" 652 1/2" 656" 656 1/2" 660" 660 1/2" 664" 664 1/2" 668" 668 1/2" 672" 672 1/2" 676" 676 1/2" 680" 680 1/2" 684" 684 1/2" 688" 688 1/2" 692" 692 1/2" 696" 696 1/2" 700" 700 1/2" 704" 704 1/2" 708" 708 1/2" 712" 712 1/2" 716" 716 1/2" 720" 720 1/2" 724" 724 1/2" 728" 728 1/2" 732" 732 1/2" 736" 736 1/2" 740" 740 1/2" 744" 744 1/2" 748" 748 1/2" 752" 752 1/2" 756" 756 1/2" 760" 760 1/2" 764" 764 1/2" 768" 768 1/2" 772" 772 1/2" 776" 776 1/2" 780" 780 1/2" 784" 784 1/2" 788" 788 1/2" 792" 792 1/2" 796" 796 1/2" 800" 800 1/2" 804" 804 1/2" 808" 808 1/2" 812" 812 1/2" 816" 816 1/2" 820" 820 1/2" 824" 824 1/2" 828" 828 1/2" 832" 832 1/2" 836" 836 1/2" 840" 840 1/2" 844" 844 1/2" 848" 848 1/2" 852" 852 1/2" 856" 856 1/2" 860" 860 1/2" 864" 864 1/2" 868" 868 1/2" 872" 872 1/2" 876" 876 1/2" 880" 880 1/2" 884" 884 1/2" 888" 888 1/2" 892" 892 1/2" 896" 896 1/2" 900" 900 1/2" 904" 904 1/2" 908" 908 1/2" 912" 912 1/2" 916" 916 1/2" 920" 920 1/2" 924" 924 1/2" 928" 928 1/2" 932" 932 1/2" 936" 936 1/2" 940" 940 1/2" 944" 944 1/2" 948" 948 1/2" 952" 952 1/2" 956" 956 1/2" 960" 960 1/2" 964" 964 1/2" 968" 968 1/2" 972" 972 1/2" 976" 976 1/2" 980" 980 1/2" 984" 984 1/2" 988" 988 1/2" 992" 992 1/2" 996" 996 1/2" 1000" 1000 1/2

POWER

- REGULAR DUPLEX RECEPTACLE
- DUPLEX RECEPTACLE GROUND FAULT INTERRUPT
- 3-1/2" 1-1/2" DUPLEX RECEPTACLE
- ANGLE RECEPTACLE TYPE AND CONFIGURATION AS SPECIFIED FOR DRYER
- CONNECTION FOR OVERSICOP
- ABOVE COUNTER DEVICE
- CEILING MOUNTED DEVICES
- FLOOR MOUNTED DEVICES
- DISCONNECT SWITCH NON-FUSED
- DISCONNECT SWITCH FUSED
- COMBINATION BREAKER
- FRACTIONAL MOTOR/FAN DIRECT CONNECTION
- DIRECT CONNECTION SINGLE PHASE
- DIRECT CONNECTION THREE PHASE
- HEAT TRACE
- ELECTRICAL HEATER
- ELECTRICAL PANEL / SECURITY PANEL

TELECOMMUNICATION

- TV/CABLE OUTLET
- TELEPHONE OUTLET
- TELEPHONE CABLE (MULTI-PORT OUTLET)
- DATA OUTLET
- DATA/TELEPHONE OUTLET
- IN SUITE TELECOM BOX C/W RECEPTACLE
- LIFT LOCATION
- MUSIC SPEAKER / VOLUME CONTROL
- RADIO RECEIVER

SECURITY

- INTERCOM / INTERPHONE
- INTERCOM WITH CAMERA
- PANIC BUTTON / PANIC INTERCOM STATION
- CARD READER
- AUTOMATIC RELEASE CARD ACCESS/RADIO RECEIVER
- ELECTRIC STRIKE
- MAGLOCK
- DOOR CONTACT / WINDOW CONTACT
- AUTOMATIC DOOR OPERATOR
- MOTION DETECTOR
- PUSH BUTTON
- SECURITY CAMERA

LIFE SAFETY

- FIRE ALARM SMOKE DETECTOR
- SPOKE ALARM
- FIRE ALARM DUCT TYPE SMOKE DETECTOR
- FIRE ALARM HEAT DETECTOR
- COMBINATION SMOKE AND HEAT DETECTOR
- MOISTURE PROOF HEAT DETECTOR
- CO ALARM
- COMBINATION SMOKE & CO ALARM
- CO SENSOR / NO SENSOR
- FIRE ALARM MANUAL PULL STATION
- FIREFIGHTER'S HANDSET
- FIRE ALARM STROBE/HORN WALL MTD.
- FIRE ALARM STROBE/HORN WALL MTD.
- FIRE ALARM STROBE/HORN WALL MTD.
- FIRE ALARM SPEAKER/STROBE CEILING MTD.
- FIRE ALARM SPEAKER CEILING MTD.
- FIRE ALARM ANNUNCIATOR PANEL
- FIRE ALARM CONTROL PANEL

REVISIONS

NO.	DATE	DESCRIPTION

NOVA TRENDS

175 West Beaver Creek Road, Unit 31
Richmond Hill, Ontario L4B 3M1
Tel: 905-882-5445
Fax: 905-882-5441
Email: cad@novatrendeng.com

PROJECT TITLE: ALEXANDRA PARK

DATE: FEB, 13

PROJECT NUMBER: 1313

DRAWING NUMBER: E-23

SCALE: 1:50

KEY PLAN

NTS

Drawing saved: \\caddm002\caddm002\Draw\1313 - Alexandra Park\NOVA\1313 - 2222 (R) ELEC.dwg Printed: Mar 10, 2014 - 10:43am