

**GENERAL AREA CIRCUITING - TABLE #1**

LG. FIXTURE LOCATION	CGT. #	RECEPTACLE LOCATION	CGT. #
F4 TO P1 - EXIT SIGNS	EX-XX	LOBBY (F4 TO P1)	EX-XX
G/F TO 10/F - EXIT SIGNS	EX-XX	STAIR 'A' (5/F,2/F,2/F)	EX-XX
H/F TO ROOF - EXIT SIGNS	EX-XX	STAIR 'B' (MP4,30/124/10/5) FLOORS	EX-XX
LOBBY (F4 TO P1)	EX-XX	STAIR 'B' (12,36,3/F,4) FLOORS	EX-XX
STAIR 'A' (F4 TO G/F)	EX-XX	STAIR 'C' (MP4,30/124/10) FLOORS	EX-XX
CORRIDOR	EX-XX	STAIR 'C' (10/5,12/36,3) FLOORS	EX-XX
	EX-XX	STAIR 'D' (F1/F4) FLOORS	EX-XX
	EX-XX	STAIR 'E' (F1/F) FLOOR	EX-XX
	EX-XX	CORRIDOR	EX-XX

- GENERAL NOTES - RESIDENTIAL:**
- ELECTRICAL DRAWINGS SHALL BE READ IN CONJUNCTION WITH MECHANICAL, STRUCTURAL, ARCHITECTURAL AND LANDSCAPE DRAWINGS.
  - CONTRACTOR SHALL RUN CABLES WITHIN CEILING SLAB OR ENCLOSURES TO RETAIN 3 HOUR FIRE PROTECTION RATING FOR ALL LOADS THAT CONNECT TO EMERGENCY POWER.
  - FIRE ALARM RISERS SHALL BE RUN IN 2 HOUR FIRE RATED ELECTRICAL CLOSET. REFER TO DWG. E-32 FOR RISER DIAGRAM AND DETAILS.
  - STAIRWAY WALL MOUNTED EMERGENCY LIGHT FIXTURES SHALL BE MOUNTED @ 1' AFF.
  - EMERGENCY LIGHT FIXTURES IN LOCKERS, STORAGE, GARBAGE, UTILITY AND SERVICE ROOMS SHALL BE CONNECTED TO BOTH NORMAL AND EMERGENCY POWER AS PER DETAIL #21 OF DWG. E-35.
  - FOR STORAGE ROOM VENTILATION SYSTEM, DIV. 16 TO PROVIDE CONDUIT, WIRING AND SWITCH (S) TO START/STOP FAN AND DAMPER. FAN AND 110V ACTUATOR TO BE SUPPLIED AND INSTALLED BY DIV. 15.

**ELECTRICAL LEGEND**

**LIGHTING**

- FLUORESCENT LIGHT FIXTURE TYPE AS INDICATED
- NIGHT LIGHT
- CEILING MOUNTED WALL MOUNTED LIGHT FIXTURE
- INSCRIBED LETTER DENOTES TYPE
- POLE MOUNTED LIGHT FIXTURE
- INSCRIBED LETTER DENOTES TYPE
- CHIPPED CEILING LIGHT OUTLET
- TRACK LIGHT
- STRIP LIGHT
- UNDER CABINET FLUORESCENT LIGHT FIXTURE
- CEILING MOUNTED WALL MOUNTED EXIT SIGN
- EMERGENCY BATTERY PACK
- EMERGENCY BATTERY PACK
- OCCUPANCY SENSOR POWER PACKS
- 1/4" / 1" SINGLE/THREE POLE SINGLE/THREE THRU SINGLE SWITCH RECEPTACLE
- 1/4" / 1" (3/4" / 1" DENOTES 3-WAY 4-WAY/PILOT LIGHT, OTHER SWITCHED LIGHT RESPECTIVELY)
- MASTER LIGHTING SWITC/OFF SWITCH
- SENSOR WALL SWITCH FIRE SELF POWERED
- OCCUPANCY SENSOR CEILING MOUNTED

**POWER**

- REGULAR DUPLEX RECEPTACLE
- DUPLEX RECEPTACLE GROUND FAULT INTERRUPT
- 3-1/2" 1-1/2" DUPLEX RECEPTACLE
- SINGLE RECEPTACLE TYPE AND CONFIGURATION AS SPECIFIED FOR DRYER
- CONNECTION FOR OVERCURRENT
- ABOVE COUNTER DEVICE
- CEILING MOUNTED DEVICES
- FLOOR MOUNTED DEVICES
- DISCONNECT SWITCH NON-RAISED
- DISCONNECT SWITCH RAISED
- CORNER SWITCH
- FRACTIONAL MOTOR/FAN DIRECT CONNECTION
- DIRECT CONNECTION SINGLE PHASE
- DIRECT CONNECTION THREE PHASE
- THERMOSTAT
- DRYER SENSOR
- HEAT TRACE
- ELECTRICAL HEATER
- ELECTRICAL PANEL / SECURITY PANEL

**TELECOMMUNICATION**

- TV/CABLE OUTLET
- TELEPHONE OUTLET
- TELEPHONE CABLE (MULTI-PORT OUTLET) DATA OUTLET
- DATA/TELEPHONE OUTLET
- IN SUITE TELECOM BOX C/W RECEPTACLE
- LIFT LOCATION
- MUSIC SPEAKER / VOLUME CONTROL
- RADIO RECEIVER

**SECURITY**

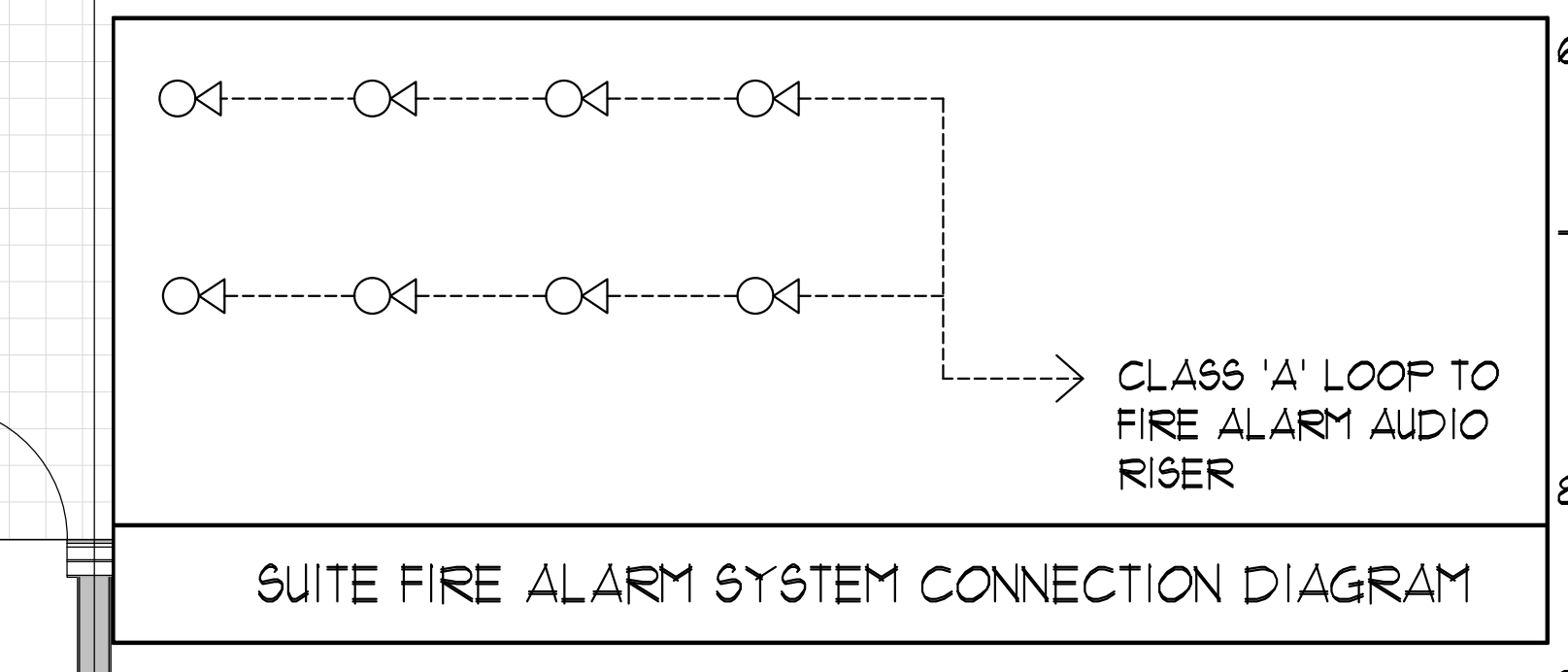
- INTERCOM / INTERPHONE
- INTERCOM WITH CAMERA
- PANIC BUTTON / PANIC INTERCOM STATION
- CARD READER
- AUTOMATIC RELEASE CARD ACCESS/RADIO RECEIVER
- ELECTRIC STRIKE
- MAGLOCK
- DOOR CONTACT / WINDOW CONTACT
- AUTOMATIC DOOR OPERATOR
- MOTION DETECTOR
- PUSH BUTTON
- SECURITY CAMERA

**LIFE SAFETY**

- FIRE ALARM SMOKE DETECTOR
- SPOKE ALARM
- FIRE ALARM DUCT TYPE SPOKE DETECTOR
- FIRE ALARM HEAT DETECTOR
- FIXED TEMP. 58° C SMOKE HEAT DETECTOR
- MOISTURE PROOF HEAT DETECTOR
- CO ALARM
- COMBINATION SPOKE & CO ALARM
- CO SENSOR / NO SENSOR
- FIRE ALARM MANUAL PULL STATION
- PREFRIGERATED HANDSET
- FIRE ALARM STROBE/HORN WALL MTD.
- FIRE ALARM HORN WALL MTD.
- FIRE ALARM SPEAKER/STROBE CEILING MTD.
- FIRE ALARM SPEAKER CEILING MTD.
- FIRE ALARM ANNUNCIATOR PANEL
- FIRE ALARM CONTROL PANEL

26-1102(11), 26-1201(1) AND ESA BULLETIN 26-26-0 (WITHIN 3m RADIUS OF LAUNDRY CLOSET). RECEPTACLE SHALL BE CONNECTED TO A DEDICATED CIRCUIT. SEE DETAIL #4 ON DWG. E-35.

INSTALL SIDE-MOUNTED RECEPTACLE ON KITCHEN ISLAND CABINET.



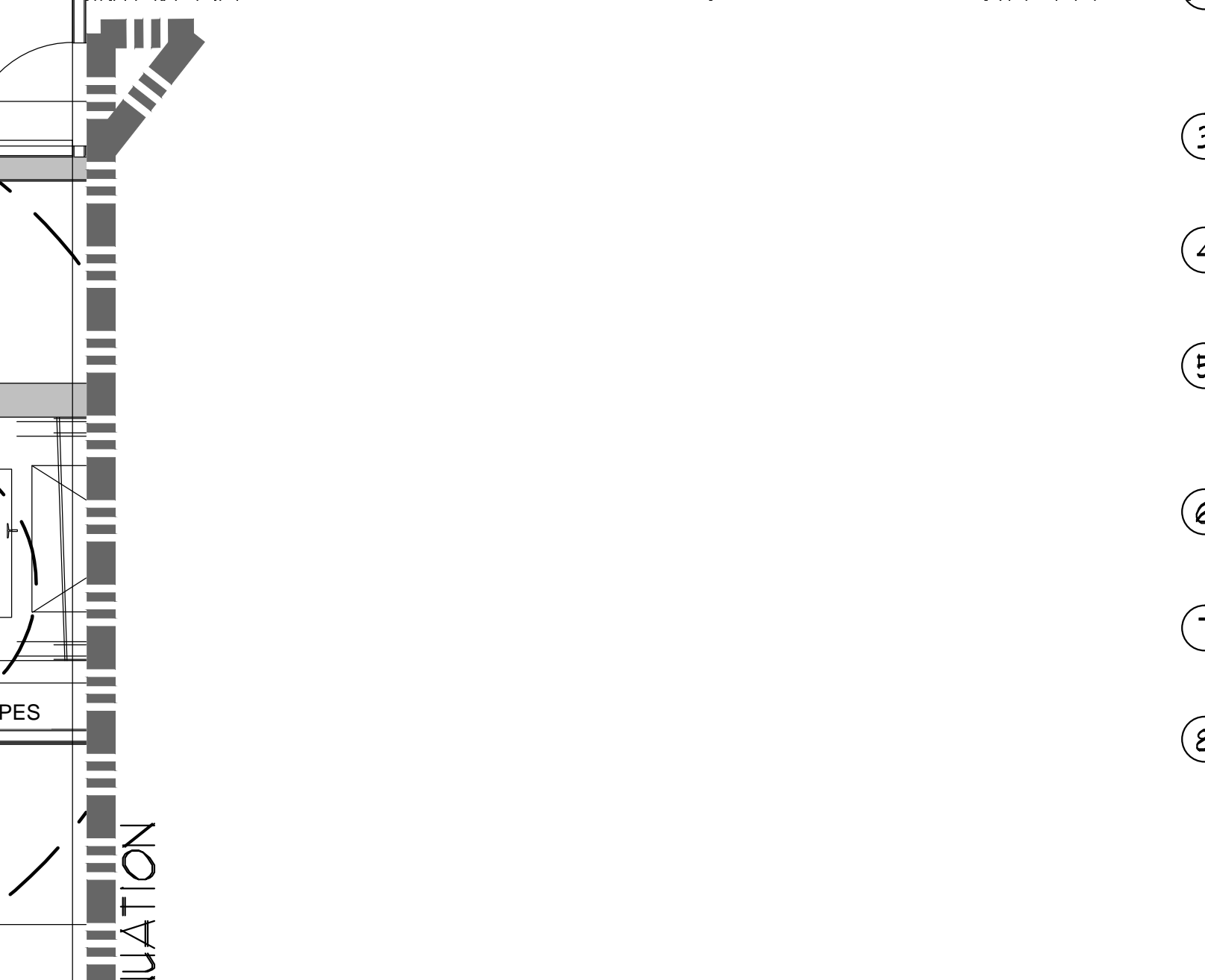
**MOUNTING HEIGHT SCHEDULE**  
(DIMENSIONS ARE FROM FINISH FLOOR TO TOP OF WALL BOX)

OUTLET	SUITES	PUBLIC AREA
RECEPTACLE	18" FFF	18" FFF
KITCHEN COUNTER SPLIT RECEPTACLE	46" FFF	46" FFF
TV/TELEPHONE (MULTI-PORT) OUTLET	18" FFF	18" FFF
LIGHT SWITCH	38" FFF	38" FFF
SECURITY PANEL	62" FFF	62" FFF
WALL THERMOSTAT	62" FFF	62" FFF
FRIDGE RECEPTACLE	TO SUIT EQUIPMENT	
MICROWAVE/FAN UNIT RECEPTACLE	LOCATE IN UPPER CABINET ABOVE	
UNDER CABINET LIGHTING RECEPTACLE	LOCATE IN UPPER CABINET ABOVE MICROWAVE / FAN UNIT	

- FOR UTILITY ROOM VENTILATION SYSTEM, DIV. 15 WILL PROVIDE LINE VOLTAGE THERMOSTAT (T) TO DIV. 16. DIV. 16 TO PROVIDE CONDUIT AND WIRING TO START/STOP FAN AND DAMPER VIA THERMOSTAT. FAN AND 110V ACTUATOR TO BE SUPPLIED AND INSTALLED BY DIV. 15.
- REFER TO SPRINKLER DRAWINGS FOR FIRE PROTECTION DEVICE TO BE CONNECTED TO THE FIRE ALARM SYSTEM. THE DEVICE AND EQUIPMENT SHALL FORM AN INTEGRAL PART OF THE ELECTRICAL CONTRACT.
- REFER TO SUITE PANEL SCHEDULES FOR INSUITE CIRCUIT ARRANGEMENT.
- ALL DWELLING UNIT RECEPTACLES EXCEPT IN KITCHEN SHALL BE TAMPER PROOF.
- PROVIDE GROUND FAULT PROTECTION FOR SUITE KITCHEN AND WASHROOM RECEPTACLES WITHIN 1500mm OF SINK.
- PROVIDE TELECOMMUNICATION BOX C/W BUILT-IN RECEPTACLE FOR TELECOMMUNICATION. TELECOMMUNICATION BOX SHALL BE COMPLIANT WITH THE TELECOM SERVICE PROVIDER SPECIFICATION. REFER TO DETAIL #9 ON DWG. E-35 FOR TELECOM JUNCTION BOX INSTALLATION.
- DRYER SENSOR TO START DRYER VENTILATION FAN AUTOMATICALLY WHEN DRYER IS RUNNING.
- ALL SMOKE ALARMS WITHIN THE SUITE SHALL BE HARDWIRED TOGETHER AND TO A B.A. IF CIRCUIT BREAKER AHEAD OF OTHER LOADS.

**KEY NOTES - RESIDENTIAL:**

- FOR CIRCUITING, REFER TO TABLE #1.
- PROVIDE ALARM SPEAKER, SMOKE DETECTOR AND RECEPTACLE AT EVERY THIRD FLOOR STAIR WELL STARTING FROM TOP FLOOR. AS PER TO DWG. E-32 FOR FIRE ALARM RISER DIAGRAM.
- REFER TO SUPERVISED VALVE AND FLOW SWITCH SCHEDULE ON DWG. E-XX FOR DETAILS ON TYPICAL FLOORS.
- PROVIDE TELECOMMUNICATION BACKBOARD C/W 15V, 1A, 15A RECEPTACLE AS PER COMMUNICATION RISER DIAGRAM ON DWG. E-31.
- CONTRACTOR SHALL REFER TO ELECTRICAL SINGLE LINE DIAGRAM ON DWG. E-30 AND SDP RISER ON DWG. E-31 FOR SDP LOCATIONS AND DISTRIBUTION.
- PROVIDE CONDUIT AS PER RISER DETAIL #18 ON DWG. E-35 FOR BISORTER/TRIBORTER CONTROL SYSTEM.
- ALL SUITE DOOR CONTACTS WILL COMPLETE WITH INTRUSION ALARM SYSTEM THAT CONTACT TO THE CONCIERGE STATION.
- DESIGNATED "LAUNDRY RECEPTACLE" AS DEFINED BY ESA CODE 26-1102(11), 26-1201(1) AND ESA BULLETIN 26-26-0 (WITHIN 3m RADIUS OF LAUNDRY CLOSET). RECEPTACLE SHALL BE CONNECTED TO A DEDICATED CIRCUIT. SEE DETAIL #4 ON DWG. E-35.



FIREFIGHTER'S HANDSET	41" FFF
FULL STATION	41" FFF

SEE DRAWING E-5 FOR CONTINUATION

**REVISIONS**

NO.	DATE	DESCRIPTION

**NOVA TREND**

175 West Beaver Creek Road, Unit 31  
Richmond Hill, Ontario L4B 3M1  
Tel: 905-882-5445  
Fax: 905-882-5441  
Email: cad@novatrend.com

**KEY PLAN**

**PROJECT TITLE:** ALEXANDRA PARK

**DATE:** FEB, 13

**SCALE:** 1:50

**DRAWING NUMBER:** E-6