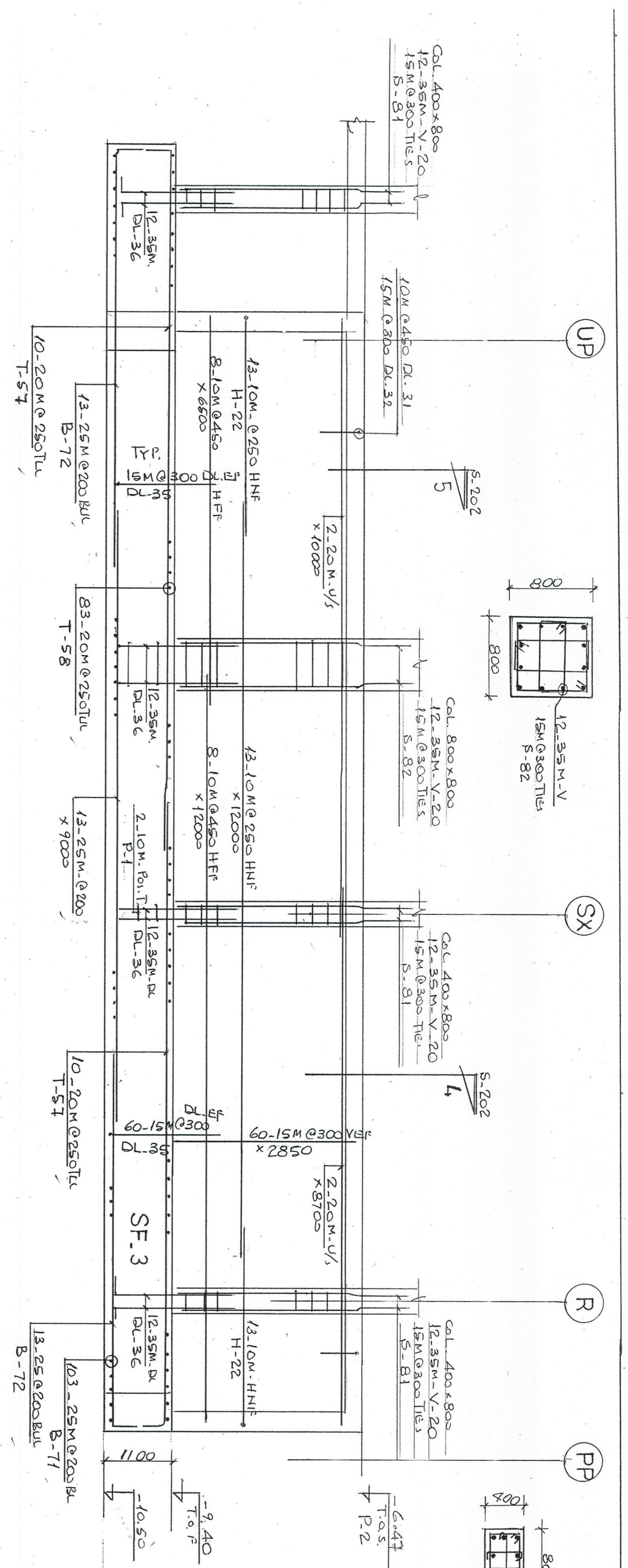
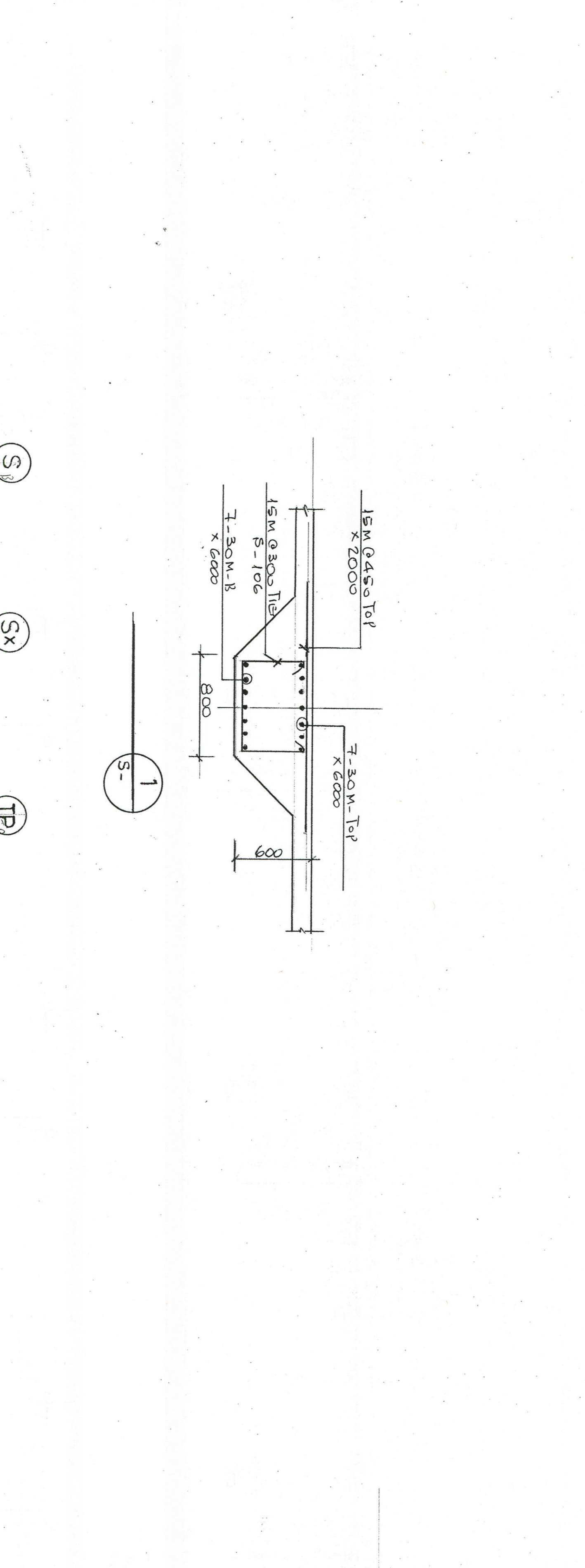
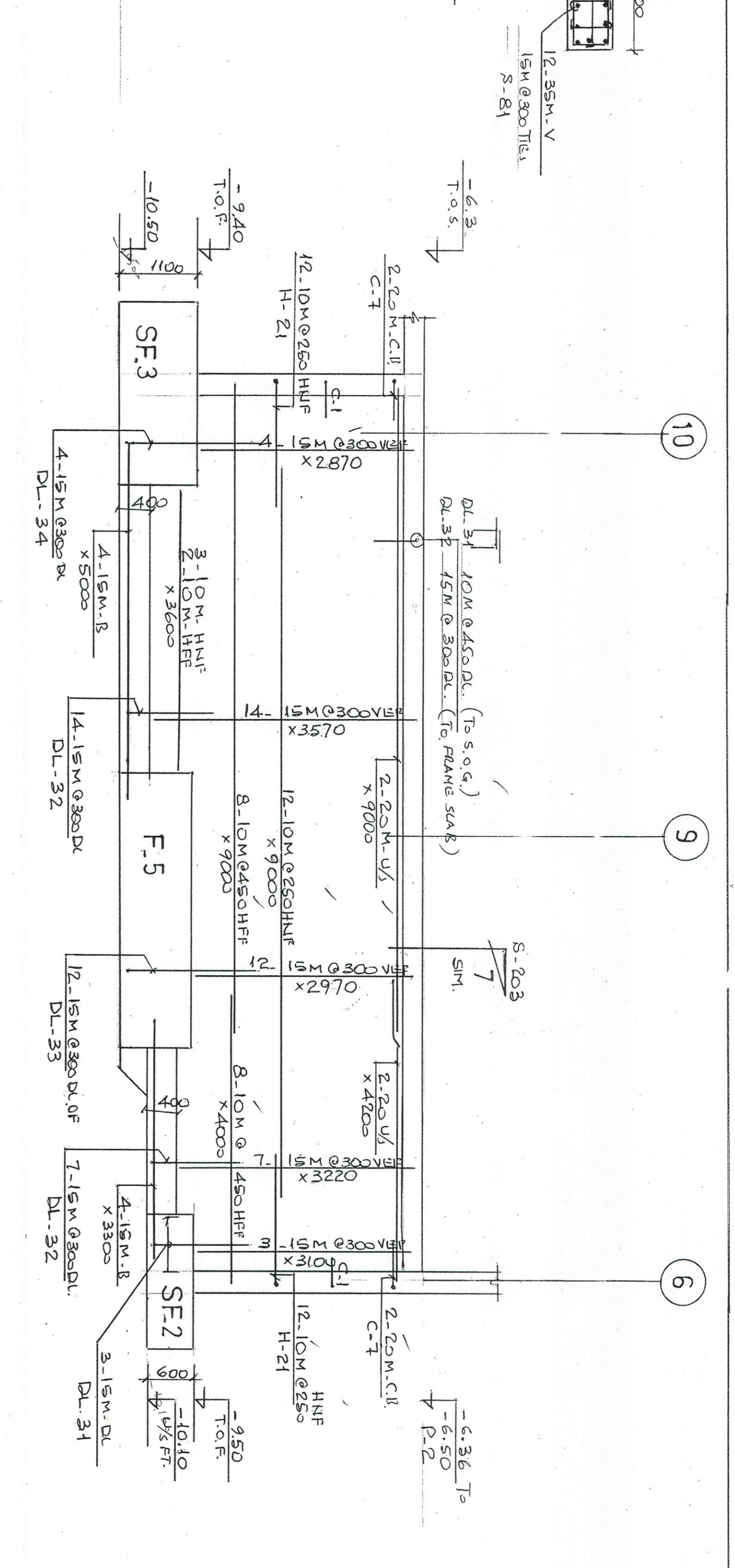


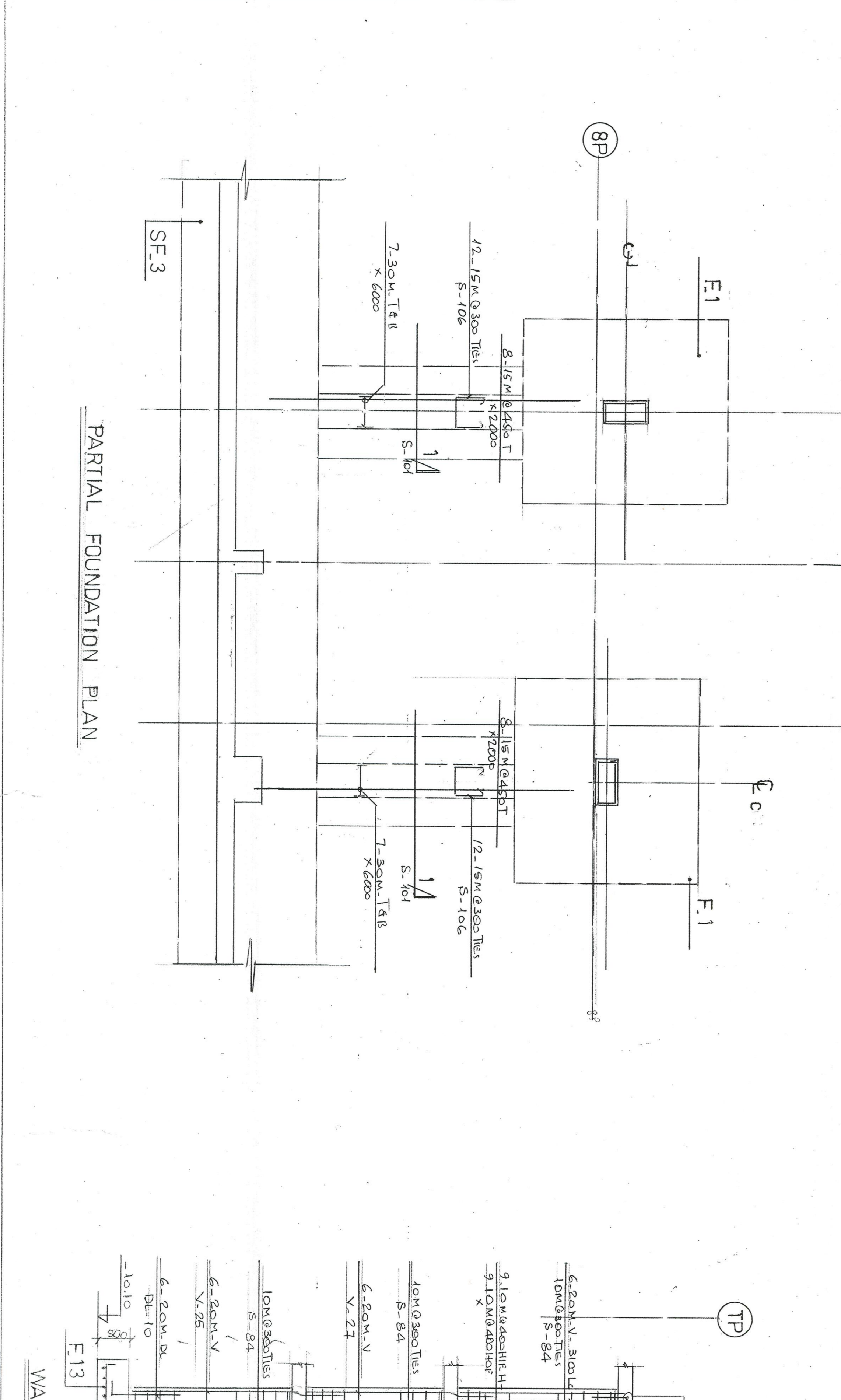
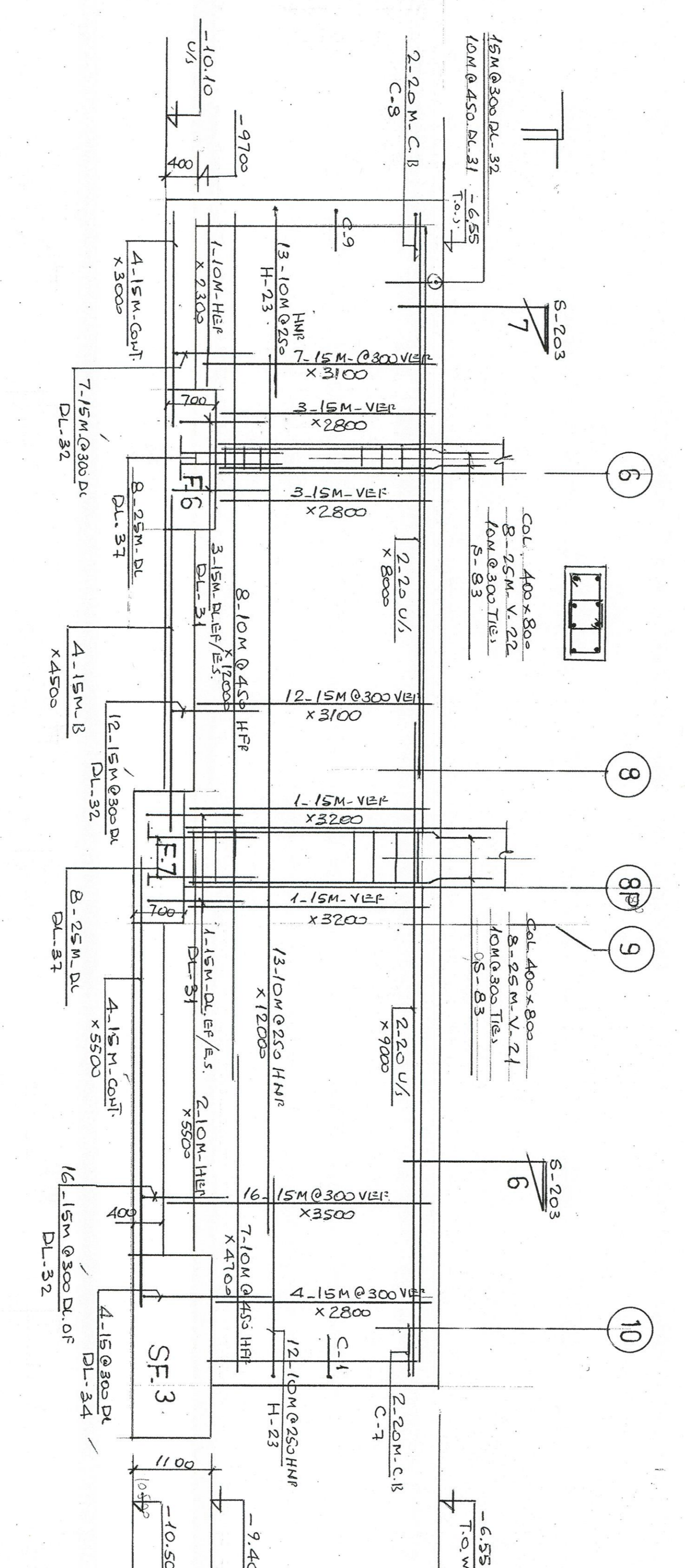
KEY PLAN FOUND. WALL AT P3



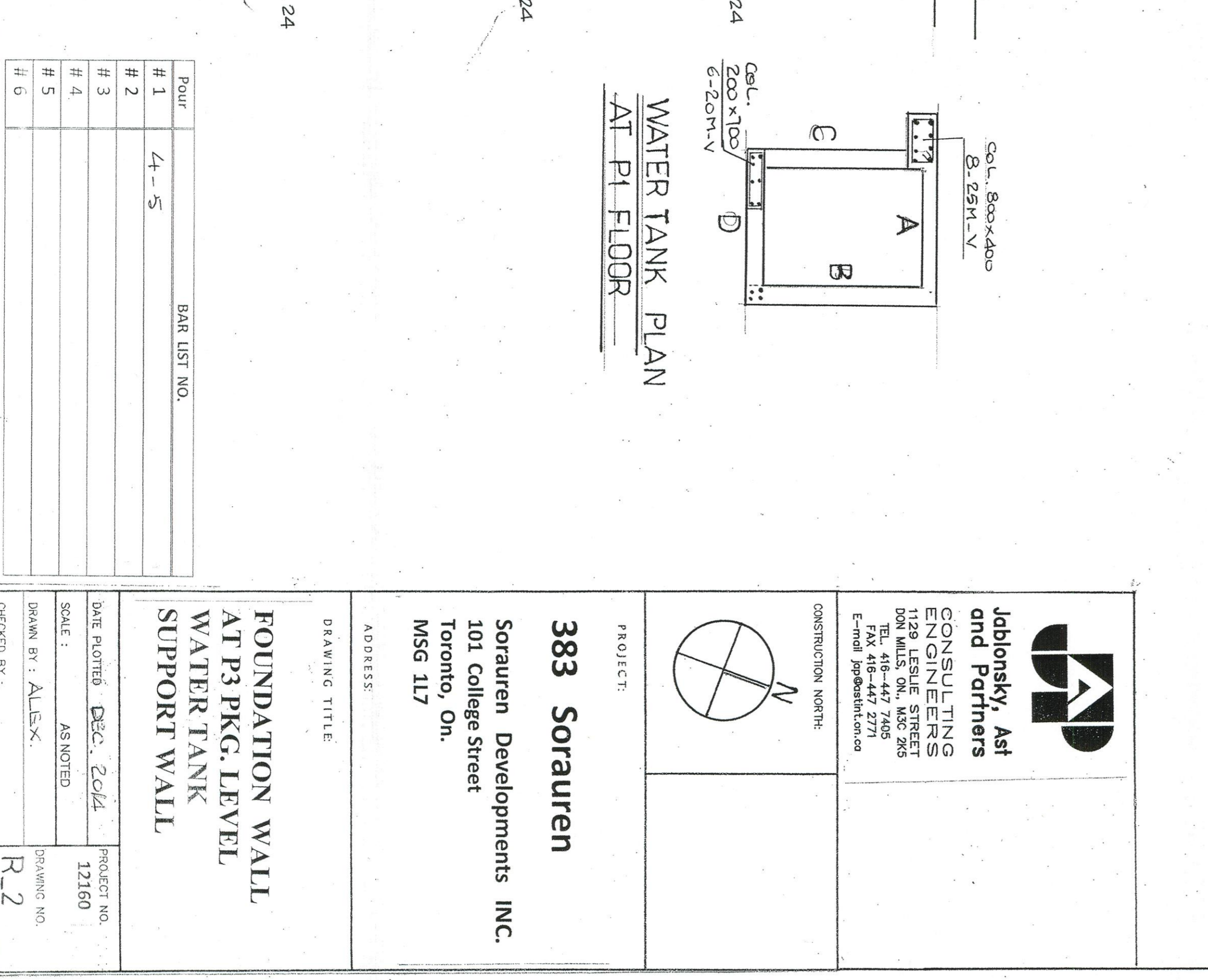
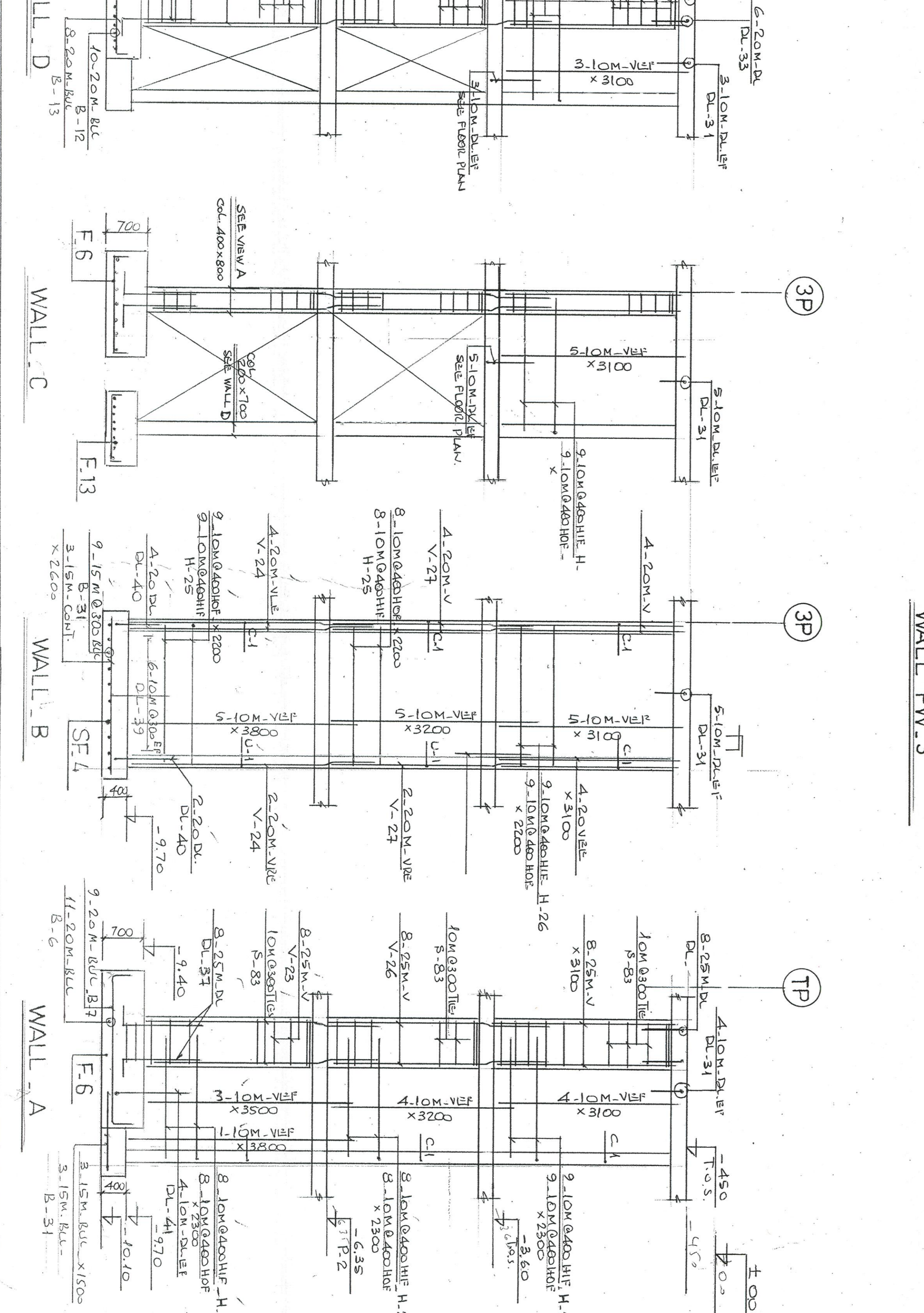
WALL FW.1



WALL FW.3



PARTIAL FOUNDATION PLAN



WATER TANK PLAN AT P1 FLOOR

DRAWING REVIEW
 This drawing has been reviewed and approved for construction by the undersigned. The reviewer is responsible for the accuracy of the information contained herein. The reviewer is not responsible for the accuracy of the information contained herein.
 JABLONSKY ASST AND PARTNERS
 1100 BAYVIEW AVE. SUITE 200
 SCARBOROUGH, ONTARIO M1B 2Y9
 TEL: 416-491-7700
 FAX: 416-491-7705
 E-mail: jablonsky@jablonsky.com

383 Sorareu
 Sorareu Developments INC.
 101 College Street
 Toronto, On.
 M5G 1L7

FOUNDATION WALL AT P3 PRG. LEVEL WATER TANK SUPPORT WALL

| | | | | |
|------|------|-----|------|-------------|
| REV# | DATE | BY | CHKD | DESCRIPTION |
| #1 | 4-5 | BAK | USP | NO. |
| #2 | | | | |
| #3 | | | | |
| #4 | | | | |
| #5 | | | | |
| #6 | | | | |

PROJECT NO. 12160
 DRAWN BY: ALEX
 CHECKED BY: R.2