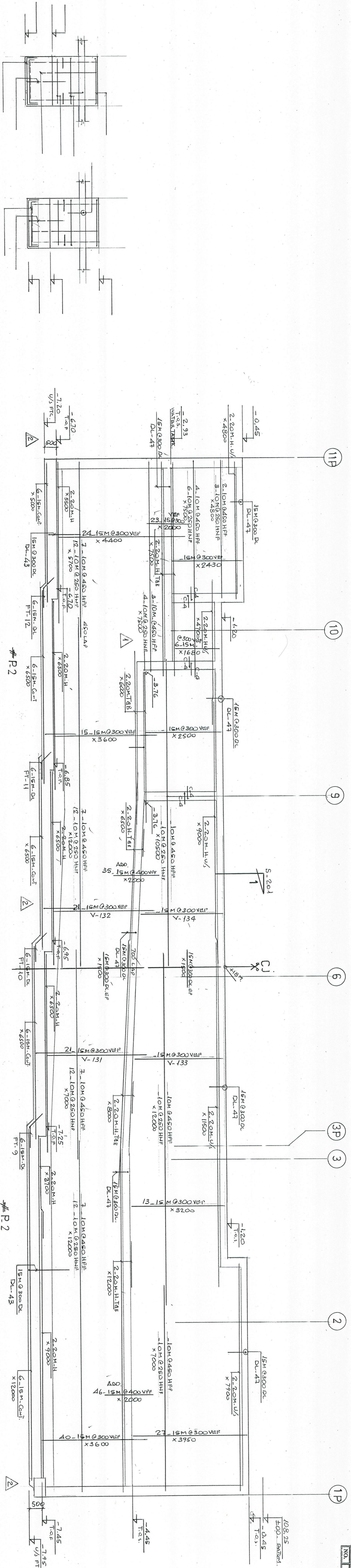
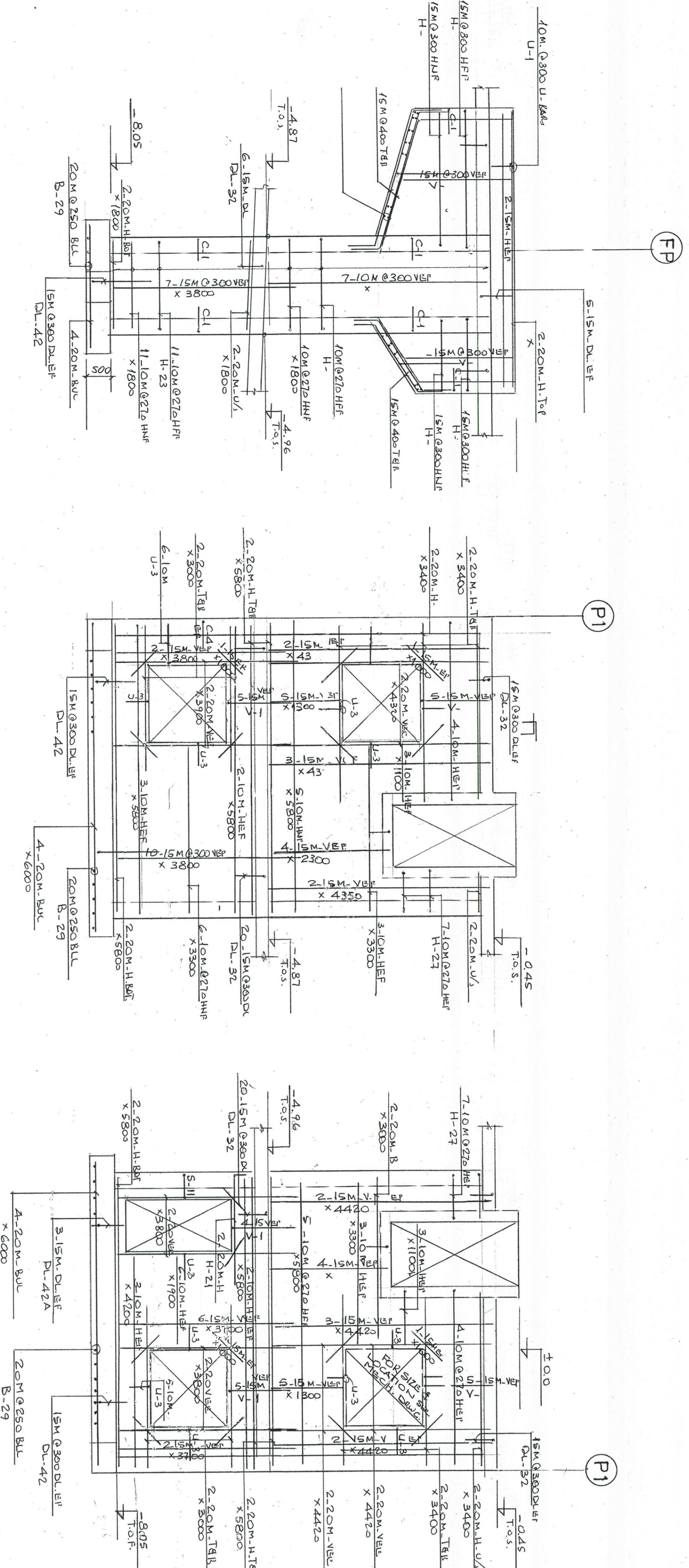


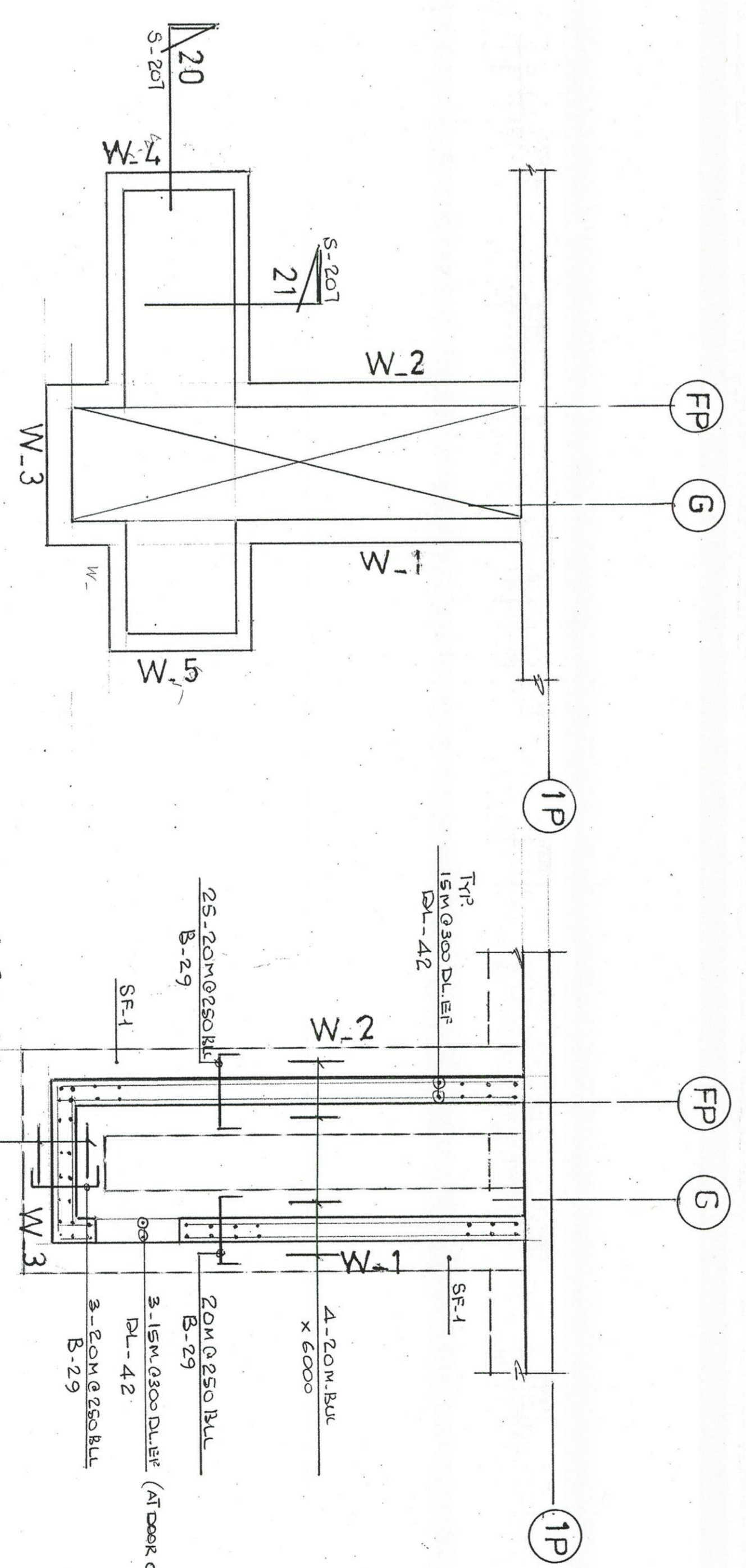
| NO. | REVISION                | DATE       |
|-----|-------------------------|------------|
| 2   | Revised Footing Inft. 4 | FEB. 25/15 |
| 1   | Water Tank Elevation    | FEB. 15/15 |
|     |                         |            |



WEST FOUNDATION WALL ALONG GRID AP / 1P TO 11P



PLAN AIR INTAKE ABOVE P1



PLAN AIR INTAKE AT P3

Each Event Size & Location of Core Ref. to Mechanical Package. Some Alterations may Apply.

| NO. | REVISION | DATE     |
|-----|----------|----------|
| 1   | Issue    | 12/15/14 |
| 2   |          |          |
| 3   |          |          |
| 4   |          |          |
| 5   |          |          |
| 6   |          |          |

| NO. | REVISION | DATE     |
|-----|----------|----------|
| 1   | Issue    | 12/15/14 |
| 2   |          |          |
| 3   |          |          |
| 4   |          |          |
| 5   |          |          |
| 6   |          |          |

**DRAWING REVIEW**  
The Engineer has reviewed the drawing and certifies that it complies with the contract documents and the applicable building codes. The Engineer's review is limited to the information provided and does not constitute a warranty of fitness for a particular purpose or a guarantee of accuracy.

Reviewed & Signed: **12/15/14**  
Date: **12/15/14**  
Project No.: **121160**  
Drawing No.: **121160-12**  
JABLONSKI, AST AND PARTNERS  
1120 York Street, Suite 100  
Toronto, Ontario M5E 1B5

**Jablonski, Ast and Partners**  
ENGINEERS  
1120 YORK STREET, SUITE 100  
TORONTO, ONTARIO M5E 1B5  
Tel: 416-447-7771  
Fax: 416-447-7771  
www.jablonskiast.com

CONSTRUCTION NORTH

**383 Soratren**  
Soratren Developments Inc.  
101 College Street  
Toronto, On.  
M5S 1J7

ADDRESS

DRAWING TITLE  
**WEST FOUND. WALL  
AIR INTAKE WALL  
AT GRID C/1P**

DATE: **12/15/14**  
SCALE: **AS NOTED**  
DRAWN BY: **R-6**  
CHECKED BY: **R-6**