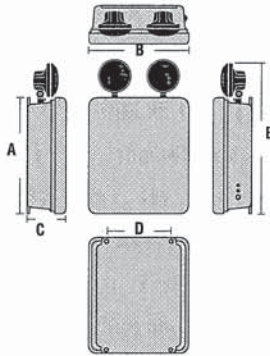


**DIMENSIONS (MM, IN.)**



Cabinet	A	B	C	D	E
1	291mm 11 7/16"	235mm 9 1/4"	138mm 5 7/16"	160mm 6 5/16"	419mm 16 1/2"
2	343mm 13 7/16"	286mm 11 1/4"	138mm 5 7/16"	211mm 8 5/16"	470mm 18 1/2"
3	394mm 15 1/2"	340mm 13 3/8"	159mm 6 1/4"	260mm 10 1/4"	521mm 20 1/2"
4	445mm 17 1/2"	391mm 15 3/8"	159mm 6 1/4"	311mm 12 1/4"	305mm 22 1/2"
5	502mm 19 3/4"	429mm 16 7/8"	229mm 9"	311mm 12 1/4"	622mm 24 1/2"

**MECHANICAL SPECIFICATIONS**

The **AQUA UNIT** is constructed from a durable, fully gasketed NEMA 4 and 4X rated fiberglass housing. The front access panel/door is hinged for trouble-free installation and maintenance. Four [4] integrated mounting holes ensure simple, secure and accurate wall installation. Remote lamp loads are connected to the emergency power supply with sturdy terminal connectors. These connectors allow for a large gauge of wire to be used increasing the flexibility of installation. The **AQUA** is supplied standard in an industrial grey fiberglass finish.

**BATTERY TECHNOLOGY**

The **AQUA** series is designed with a maintenance free, sealed valve regulated lead acid battery that provides a minimum emergency duration of 30 minutes (for the listed rating). Ni-Cd batteries are optional. Recharge time of the battery is twenty-four [24] hours. The maximum battery operating temperature is +40°C and the minimum is +10°C without internal heater option, with the internal heater the minimum operating temperature is -20°C.

**LAMP HEAD FEATURES**

The **AQUA** series units are supplied with two [2] top mounted weatherproof PAR36 large style heads when specified. Standard lamp heads are constructed of high impact thermoplastic in a black colour. Optional black all rubber heads are also available with sealed beam lamps only. \*Teflon® coating of the lamp lens (which inhibits shattering) is available for food preparation and hose down areas.

**MODEL RATING GUIDE**

Model	Voltage (output)	Wattage Rating 30 min.	Cabinet
AQ-U-6-36	6	36	#1
AQ-U-6-50	6	50	#1
AQ-U-6-50-NC	6	50	#1
AQ-U-6-80	6	80	#1
AQ-U-6-90	6	90	#1
AQ-U-6-100	6	100	#1
AQ-U-6-100-NC	6	100	#1
AQ-U-6-160	6	160	#2
AQ-U-6-180	6	180	#2
AQ-U-6-180-NC	6	180	#3
AQ-U-12-36	12	36	#1
AQ-U-12-50	12	50	#1
AQ-U-12-72	12	72	#1
AQ-U-12-90	12	90	#1
AQ-U-12-100-NC	12	100	#1
AQ-U-12-120	12	120	#2
AQ-U-12-150	12	150	#2
AQ-U-12-180	12	180	#2
AQ-U-12-200	12	200	#3
AQ-U-12-200-NC	12	200	#3
AQ-U-12-250	12	250	#3
<b>AQ-U-12-360</b>	12	360	#3
AQ-U-24-144	24	144	#2
AQ-U-24-180	24	180	#2
AQ-U-24-320	24	320	#3
AQ-U-24-550	24	550	#4/5
AQ-U-24-720	24	720	#4/5

**NOVATREND ENGINEERING GROUP LTD. CHARGER SPECIFICATIONS**

The **AQUA** series utilizes a high-efficiency two stage charger providing precise float voltage control with low voltage disconnect protection. All components used in the circuitry are temperature compensated. The charger also has brownout and short circuit protection. Quarter state easily determined via a dual diagnostic LED display which indicates AC/CM and High Charge. An external push button test switch allows maintenance personnel to quickly determine operational status of the unit and lamp load.

REVIEWED       REVIEWED AS NOTED  
 REVISE & RESUBMIT       REJECTED

**Shawn Dai**      **2015-09-10**  
 REVIEWED BY      DATE

Please see comment on attached review sheet

INDUSTRIAL APPLICATION EMERGENCY

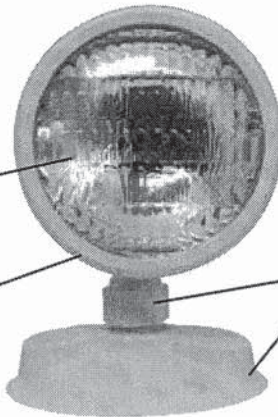
# LR - PAR36 Large Style Emergency Remote

Job/Location: ALEXANDRA PARK  
 Contractor: TYPE REMOTE-2 Prepared By: \_\_\_\_\_  
 Model Number: WIP Date: \_\_\_\_\_

Corrosion, flame resistant thermoplastic

PAR36 incandescent or halogen lamps

Innovative rotary locking collar



Matching canopy to fit standard junction boxes

Tool-less adjustable swivel locks head in place



## LR - PAR36 LARGE STYLE EMERGENCY REMOTE

The LR SERIES of remotes are constructed of high impact thermoplastic and feature an innovative rotary locking collar design that securely locks the lens and reflector assembly into place. The locking collar allows maintenance personnel to quickly and easily complete relamping. A tool-less mechanically adjustable swivel locks the head in position once adjusted. The matching canopy fits all standard electrical junction boxes. The LR is supplied standard in a white colour, black colour is optional.

### LAMP SELECTION

	6V	12V	24V	120V
Composite Tungsten	9, 12W	9, 12, 18W	9, 18, 25W	25W
Composite Quartz (Q)	12, 20W	8, 12, 20, 35, 55W	10, 12, 20, 50W	N/A
Sealed Beam Tungsten (SB)	8, 12, 18, 20, 25W	12, 18, 25, 20, 35W	N/A	N/A
Sealed Beam Quartz (OSB)	8, 12, 20W	8, 12, 20W	N/A	N/A

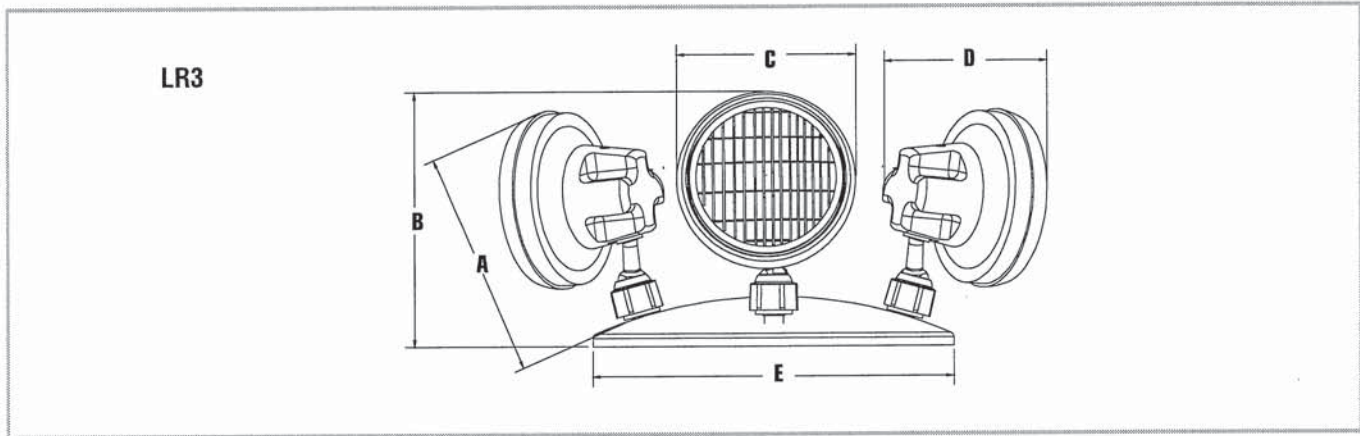
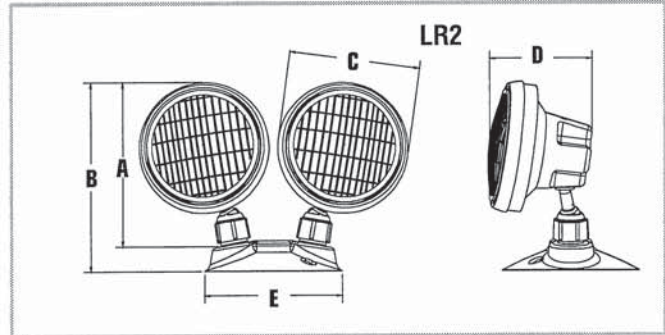
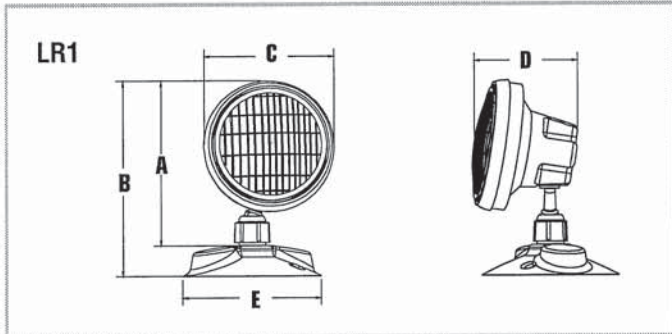
### ORDERING INFORMATION

Series	Head #	Voltage / Wattage	Options
LR	1 (Single head) 2 (Double head) 3 (Triple head) 4 (Quad head)	See lamp selection	LC (Less canopy) SB (Sealed beam) RBSB (Rubber head - sealed beam) *TC (Teflon® coated lens) WP (Weatherproof) BLK (Black housing)

\*NOTE: Teflon® is a registered trademark of DuPont™

REMOTES

**DIMENSIONS**



Model	A	B	C	D	E
LR1 PAR36 Single	149mm 5 7/8"	178mm 7"	58mm 4 3/4"	94mm 3 5/8"	127mm 5"
LR2 PAR36 Double	149mm 5 7/8"	178mm 7"	58mm 4 3/4"	94mm 3 5/8"	127mm 5"
LR3/LR4 PAR36 Triple/Quad	149mm 5 7/8"	172mm 6 3/4"	58mm 4 3/4"	94mm 3 5/8"	241mm 9 1/2"

# RMR

## RAINSTORM

NBC2010 compliant

NEMA4X 120/347VAC Input



**Approvals:**  
 CSA Certified to C22.2 #141 and C860

### DESCRIPTION

The RMR series of NEMA4X and EEMAC4X rated weatherproof signs is designed to operate in extreme environments. The fully gasketed housing is suitable for outdoor and wash-down locations. Available in AC only, AC/DC and internally self-powered versions.

### CIRCUITRY - AC & AC/DC

- LED ultra bright light source
- 120/347VAC Input, field selectable
- 1.9W power consumption single or double face
- Emergency DC wattages as follows:  
**6VDC = 0.9W 12VDC = 0.9W 24VDC = 0.9W**

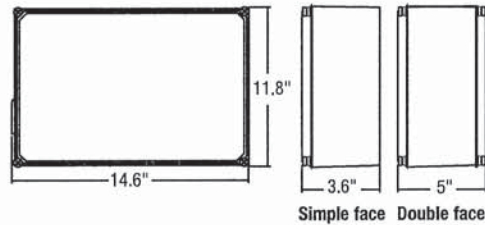
### CIRCUITRY - SELF-POWERED

- LED ultra bright light source
- 120/347VAC Input, field selectable
- 2W power consumption single or double face
- High-performance, sealed Ni-Cad battery
- 90 minutes emergency duration (standard)  
 120 minutes emergency duration is optional
- Solid state transfer and battery charger

### MECHANICAL

- Heavy-duty glass fibre reinforced polyester construction
- Lens with one piece, molded gasket
- Four integral mounting holes (one per corner) protected behind polycarbonate cover
- Lens secured to housing with four oversized captive screws
- The housing is supplied standard in a grey industrial finish. Face plate standard grey. Black is an option for indoor use only

### DIMENSIONS



Comes standard with three pictogram legends for direction selection.

### ORDERING GUIDE

Series	Nbr. of faces	Mounting	Frame colour	Mask colour	DC Voltage	Options†
<b>RMR</b>	1 - Single face 2 - Double face	CM - Ceiling mount WM - Wall mount EM - End mount PM - Pendant mount	<b>GY - Grey</b>	<b>GY - Grey (standard)</b> BK - Black (indoor only)	<b>NDC - AC only</b> UDC - Universal DC backup voltage 6, 12 or 24VDC IB - Self-powered for 90 minutes IB1 - Self-powered for 120 minutes	<b>WG*, BO, WO, OP, TP</b>  RM - 0 pictogram legends no arrow double face only

† For detailed options descriptions, please consult the options page.  
 \* Specify mounting.

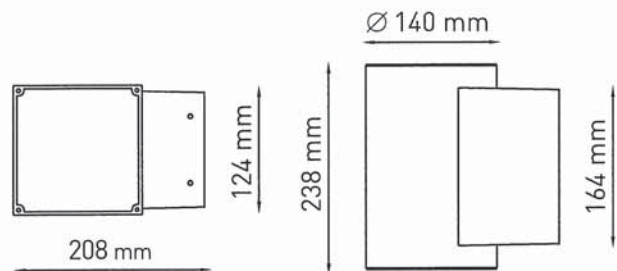
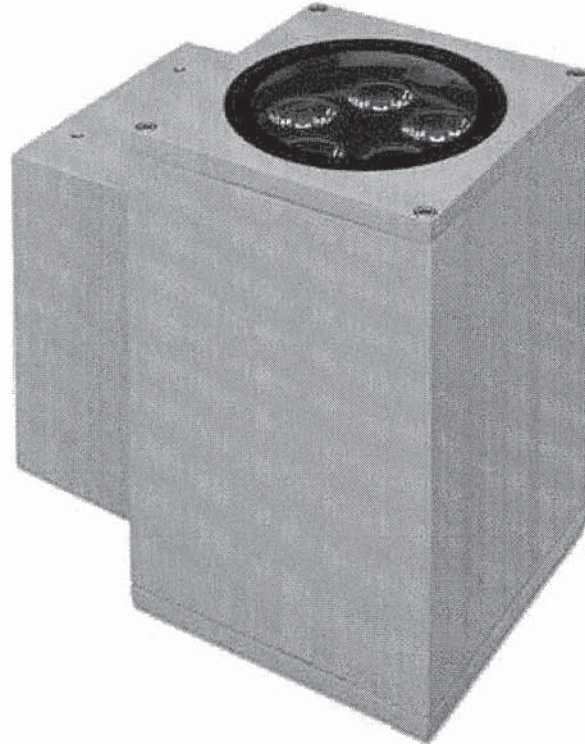
**EF401006 HYDROTECH MEDIUM 02 SQUARE 1 x LED**

Project: Alexandra Park  
Type: W1

Square up&down luminaire for outdoor installation on a façade/wall. Phosphochromatised and polyester powder coated die-cast copper-free aluminium body, tempered safety glass, moulded silicone gasket and stainless steel screws. Built-in LED driver 120V 50-60Hz, with 1 x 5 CREE XP-G2 LED. IP65 rating.

**Energy Label** **A++**

- Material: high corrosion resistance die-cast copper-free aluminum body
- Coating: polyester powder coating with phosphochromating pre-finish
- NR. 5 x 1.5W CREE "XP-G2" LED down.
- Electronic transformer 120V 50/60Hz included
- Stainless steel screws.
- Silicone rubber gasket.
- Tempered safety glass.
- M20 rubber grommet Rutaseal® in EPDM
- Adjustable +/- 15 degrees.



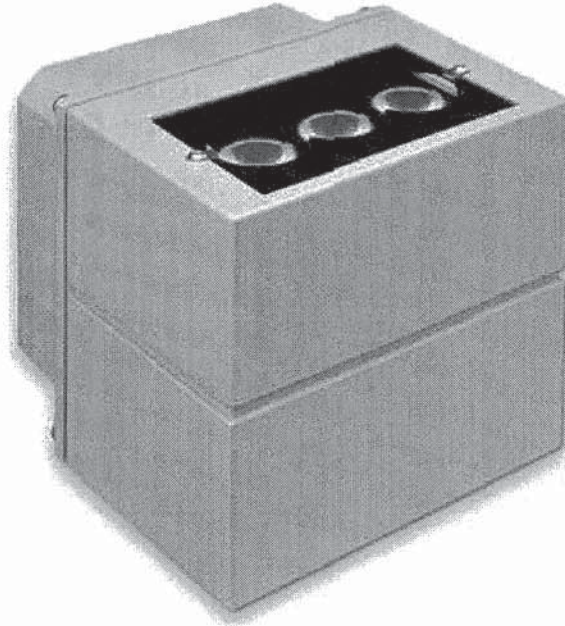
1X8 WATT  
120V 50-60HZ ELECTRONIC  
IP65  
3.00 KG UNIT GROSS WEIGHT

LIGHT SOURCE	LED COLOR*	LIGHT BEAM OPTIONS	LUMEN OUTPUT (lm)	LUMINOUS EFFICACY (lm/w)	COLORS OPTIONS
HIGH-POWER LED	3.000°K WARM-WHITE	10°	1 X 720	90.00	<input type="checkbox"/> TEXTURED GREY <input type="checkbox"/> MATT WHITE (ON REQUEST) <input type="checkbox"/> MATT BLACK (ON REQUEST)
		30°	1 X 684	85.50	
		45°	1 X 650	81.25	
	6.000°K COLD-WHITE	10°	1 X 750	93.75	
		30°	1 X 713	89.13	
		45°	1 X 677	84.63	

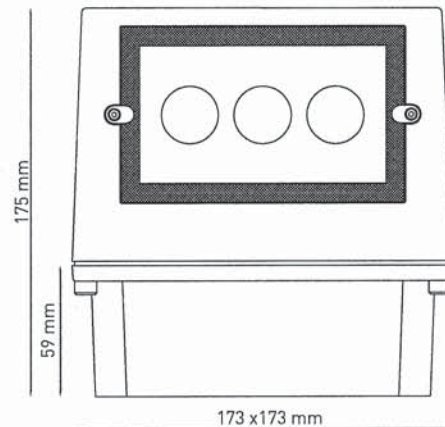
\* OTHER LIGHT COLORS AVAILABLE ON REQUEST: ○ 4.000°K NEUTRAL-WHITE, ● BLUE












**EF404005 HYDROSPLIT SQUARE 01 LED**

Square up or down luminaire for outdoor installation on a façade/wall. Phospho-chromatised and polyester powder coated die-cast copper-free aluminium body, tempered safety glass, moulded silicone gasket and stainless steel screws. Built-in LED driver 120V 50-60Hz, with 1 x 3 CREE XP-G2 LED. IP65 rating.



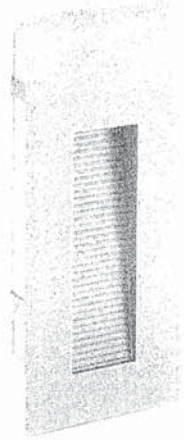
- Material: high corrosion resistance die-cast copper-free aluminum body
- Coating: polyester powder coating with phosphochromating pre-finish
- NR. 3 x 1.5W CREE "XP-G2" LED
- Electronic transformer 120V 50/60Hz included
- Stainless steel screws.
- Silicone rubber gasket.
- Tempered safety glass.
- Cable gland PG11



	LIGHT SOURCE	LED COLOR*	LIGHT BEAM OPTIONS	LUMEN OUTPUT (lm)	LUMINOUS EFFICACY (lm/w)	COLORS OPTIONS
<b>4.5 WATT</b> <b>120V 50-60HZ ELECTRONIC</b> <b>IP65</b> <b>3.80 KG UNIT GROSS WEIGHT</b>	<b>HIGH-POWER LED</b>	 <b>3.000°K WARM-WHITE</b>	 10°	432	96.00	 <b>TEXTURED GREY</b>   <b>MATT WHITE (ON REQUEST)</b>   <b>MATT BLACK (ON REQUEST)</b>
			 30°	410	91.12	
			 45°	390	18.06	
		 <b>6.000°K COLD-WHITE</b>	 10°	450	100.00	
			 30°	428	95.12	
			 45°	406	90.23	

\* OTHER LIGHT COLORS AVAILABLE ON REQUEST: ○ 4.000°K NEUTRAL-WHITE, ● BLUE

## STILE NEXT, STILE NEXT 506E,LED



### Product Details

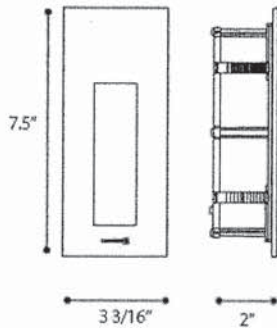
Item No.	:	24652-018
Finish	:	White
Shade	:	Clear
Width	:	3.19"
Height	:	7.50"
Max Extension	:	2.00"
Est. Weight	:	1.10 lbs
IP Rating	:	IP 66
Approval	:	cETLus

### BULB DETAILS

No. of Bulbs	:	6
Bulb Type	:	LED
Bulb Wattage	:	2.9W
Bulb Socket	:	LED
Input Voltage	:	120V
Dimmable	:	No
Lumens	:	220lm
Kelvin	:	4200K
Bulb Included	:	Yes

### Options Available

ITEM NO.	FINISH	SHADE
24652-018	White	Clear

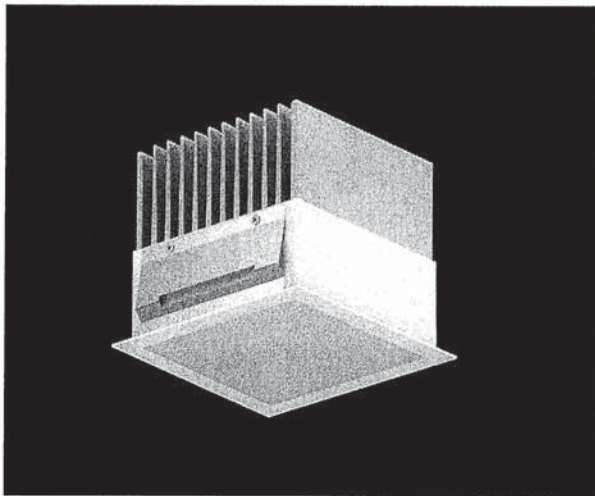


### PROJECT INFORMATION

Job Name:  Date:  Type:

Comments:

## LL-12202-13, 22W LED DOWNLIGHT, 120Q



### Product Details

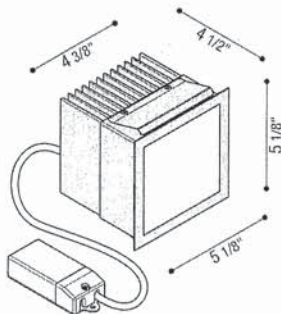
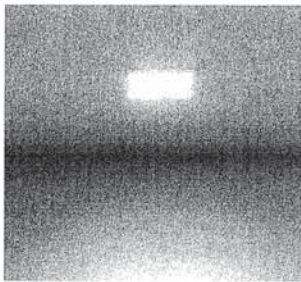
Item No.	:	LL-12202-13
Finish	:	Metal
Color	:	White
Width	:	5.125"
Height	:	5.125"
Depth	:	4.50"
Est. Weight	:	5.51lbs
IP Rating	:	IP44

### BULB DETAILS

No. of Bulbs	:	1
Bulb Type	:	LED
Bulb Wattage	:	22w
Bulb Socket	:	LED
Dimmable	:	Option Available.
Lumens	:	2770lm
Kelvin	:	3000k
Bulb Included	:	Yes

### Options Available

ITEM NO.	FINISH	SHADE	COLOR
LL-12202-13	Metal	Polycarbonate Diffuser	White



Suitable for installation on plasterboard walls and ceilings and for indoor use.

Body made of cold galvanized metal, highly resistant to oxidization due to the UV stabilized polyester resin coating.

Aluminium alloy heat sink with natural anodizing treatment.

Diffuser made of PMMA, satin effect, joined to the body by means of a silicone gasket. Stainless steel nuts and bolts.

Recessed installation by means of retaining spring.

Ballast included, external to the product.

Dimmable version available. No risk of photobiological damage.

### PROJECT INFORMATION

 Job Name: 

 Date: 

 Type: 

 Comments:



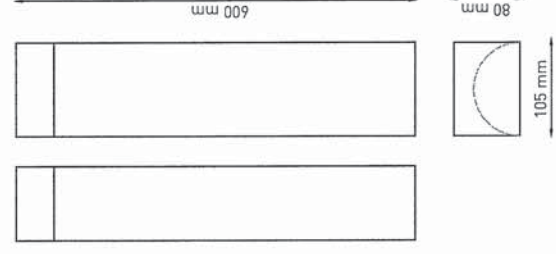
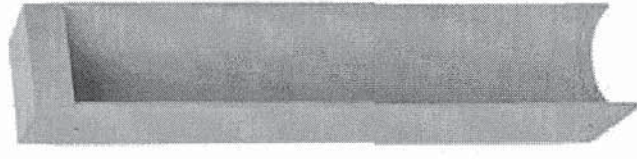
**NEW**

**EF604003 HYDROLANE SQUARE 01 LED**




600mm height bollard, square shape, for outdoor surface installation, 80° light emission, phospho-chromatised and polyester powder coated die-cast copper-free aluminum body, tempered safety glass, moulded silicone gasket and stainless steel screws. Built-in LED driver 2 120V 50-60Hz, with 1 x COB LED. IP65 rating.

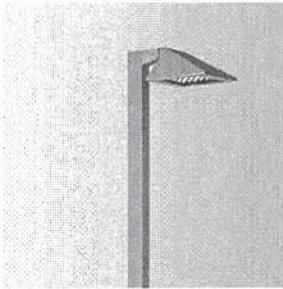
**Energy Label** **A++**

- Material: high corrosion resistance die-cast copper-free aluminum body
- Coating: polyester powder coating with phosphochromating pre-finish
- NR. 1 x 5W COB LED
- Electronic transformer 120V 50/60Hz included
- Stainless steel screws
- Silicone rubber gasket
- Tempered safety glass.
- 1 mt. neoprene power cable included



Project: Alexandra Park  
Type: B1

LIGHT SOURCE	LED COLOR*	LIGHT BEAM OPTIONS	LUMEN OUTPUT (lm)	LUMINOUS EFFICACY (lm/w)	COLORS OPTIONS
COB LED	 3.000°K WARM-WHITE	 80°	350	70.00	 TEXTURED GREY
5 WATT 120V 50-60HZ ELECTRONIC IP65 2,60 KG UNIT GROSS WEIGHT					

**iTeka**

**code**  
BU44

**Technical description**

Pole lighting system with high, visual comfort, downlight optic G6, designed for use with LED lamps and consisting of a 70 micron, hot-galvanised, EN10025-S235JR stainless steel support coated with textured powder paint, and an aluminium alloy fastening plate and cover. The optical assembly and the pole attachment system are made of EN1706AC 46100LF aluminium alloy and subjected to a multi-step, pre-treatment process, in which the main phases are degreasing, fluorozirconation (a protective surface film) and sealing (with a nano-structured silane layer). The painting stage consists of a primer and a liquid acrylic paint, cured at 150 °C, with a high level of weather and UV ray resistance. 4 mm thick, transparent, sodium-calcium tempered glass closure, joined to the frame with silicone. The frame is secured to the optical assembly with two AISI 304 stainless steel, captive screws and an AISI 303 stainless steel hinged pin with a 50 Shore silicone gasket between them. The device can be adjusted vertically by +45°-60° and 337° horizontally with a mechanical locking mechanism for precision aiming. The body and frame include slots for rainwater drainage. The product consists of a die-cast aluminium alloy base fitted with a PG 11, EPDM, double cable gland for pass-through wiring. Patented Optismart optic system, complete with circuit fitted with Neutral White monochrome LEDs and silver aluminium reflectors. Replaceable LEDs. Electronic, control gear, connected using quick-couplings and removed using clips. Driver with automatic internal temperature control system. Driver with 3 different operating profiles, no external control aids and fixed profiles at 100%, corresponding to three different lumen outputs. Profiles can be selected using microswitches. Replaceable control gear. There is no light dispersion into the upper hemisphere above this luminaire when it is in a horizontal position (in compliance with the strictest standards for the prevention of light pollution). All external screws are made of stainless steel.

**Installation**

Device can be mounted on pavements (concrete, solid brick and natural stone) using the accessory installation kit (art. 5596) or on the ground (with a concrete plinth) using a fixing plate with accessory anchors (art. B518).

**Size (mm)**

270x195x162

**Colour**

Grey (15)

**Weight (kg)**

23.90

**Mounting**

wall arm | wall surface | ground spike

**Wiring info**

Luminaire with electromagnetic control gear fixed to the body by means of an aluminium plate and connected to the LED circuit with quick-couplings. Resistance to mains voltage peaks of up to 4KV (with varistor).

**Notes**

Fitting complete with lamp

Complies with EN60598-1 and pertinent regulations

 750°C IK09 IP66

**Product configuration: BU44+LED**

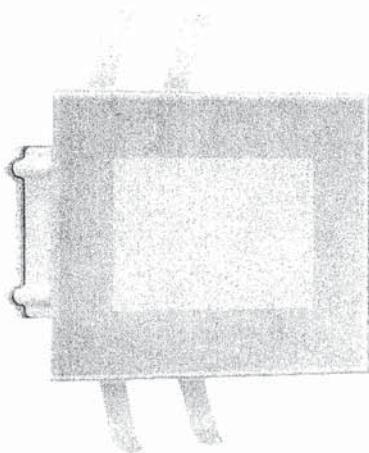
LED: Profile 01

**Product characteristics**

Total lighting output [Lm]: 1520  
Total power [W]: 16,8  
Luminous efficacy (lm/W, real value): 90,5  
Life Time: 50.000h - L90 - B10 (Ta 25°C)  
Life Time: 33.000h - L90 - B10 (Ta 40°C)  
Number of optical assemblies: 1

Total luminous flux at or above an angle of 90° [Lm]: 0  
Emergency luminous flux [Lm]: /  
Voltage [V]: -  
Life Time: 100.000h - L80 - B10 (Ta 25°C)  
Life Time: 100.000h - L80 - B10 (Ta 40°C)

## STILE NEXT, STILE NEXT 103,LED



### Product Details

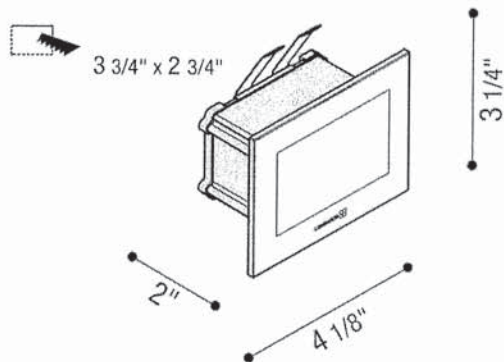
Item No.	:	24653-015
Finish	:	Glass
Shade	:	Glass
Width	:	4.13"
Height	:	3.19"
Max Extension	:	2.00"
Est. Weight	:	1.10 lbs
IP Rating	:	IP 66
Approval	:	cETLus

### BULB DETAILS

No. of Bulbs	:	1
Bulb Type	:	LED
Bulb Wattage	:	3.2W
Bulb Socket	:	LED
Input Voltage	:	120V
Dimmable	:	No
Lumens	:	210lm
Kelvin	:	4200K
Bulb Included	:	Yes

### Options Available

ITEM NO.	FINISH	SHADE
24653-015	Glass	Glass



Suitable for installation on plasterboard walls and ceilings and for outdoor use.

Body made of die-cast aluminium primary alloy; highly resistant to oxidization due to the zirconium-based passivation treatment and UV stabilized polyester resin coating.

Heat tempered and serigraphed glass diffuser.

Silicone gaskets. Stainless steel nuts and bolts.

Single cable entry at the back. No risk of photobiological damage.



### PROJECT INFORMATION

Job Name:  Date:  Type:

Comments:

**AccuLite™**

Project:

ALEXANDRA PARK

Fixture Type:

LSI - CUSTOM HEIGHT

Location:

Contact/Phone:

Cat. No.:

**PL2 SERIES  
LED BOLLARDS****PRODUCT DESCRIPTION**

The PL2 series LED bollards provide energy efficiency, uniform illumination, and rugged construction in a unique and stylish design. Two optical distributions give designers flexibility to match the project's landscape, and an optional internal motion sensor allows the building owners to realize substantial energy savings without altering the fixture look.

**PRODUCT SPECIFICATIONS**

**Optics** The PL2 series bollards use a four-quadrant optic design that can be configured to light up all four quadrants (360°) or just two (mounted 90°). The four-quadrant version delivers 360° of illumination. The two-quadrant version is configured with the LEDs positioned at 90° illuminating only one half of the fixture. The two quadrant optical design delivers a 270° pattern similar to a house side shield while at the same time cutting the energy used in half.

The fixture uses a combination of reflector and LED array positioning to achieve the desired optical performance. The aiming of the LED array gives direction to the light, while the reflector improves the fixture efficiency by reflecting out any light that may otherwise get stranded inside the fixture. A UV resistant polycarbonate lens covers and protects the LED components.

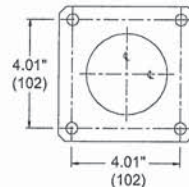
**Construction** The PL2 series bollards are made of an all-aluminum construction manufactured to withstand the test of time. The shaft is heavy gauge extruded aluminum. The top and bottom pieces are cast aluminum. All components are secured using stainless steel fasteners. The lens is made of UV resistant polycarbonate. The fixture is finished with a 5 stage powder coat finish. Standard fixture construction is 42" long. An optional 22" long fixture is available with some restrictions. See the ordering options for more details.

**Thermal Management** The LEDs are attached directly to the top of the housing, transferring all heat to the exterior of the fixture. The driver and other electrical components are in a separate compartment inside the shaft, removing them from the heat dissipated by the LEDs. This lowers the operating temperature of the electronic components, and extends the life of the driver.

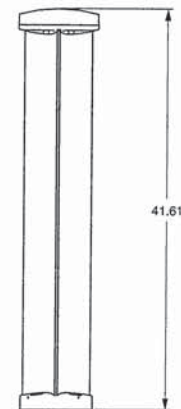
**Finish** All exposed surfaces are treated with a five stage powder coat finish for maximum resistance to the elements.

**Electrical** Two versions utilizing either a 25W or a 50W driver deliver 360° illumination. When the two quadrant version is used the fixture wattage is cut in half. The drivers operate with power factor greater than 0.95 and are capable of universal 120-277VAC operation. The fixtures are also available for 347 or 480VAC. All fixtures are equipped with a 10 KAMP surge suppressor.

**0-10V Dimming Option** An optional 0-10V dimming driver (option "D") is available. Requires 0-10VDC wiring and connection to a dimming system (supplied by others).



ANCHOR BOLT MOUNTING TEMPLATE

**DIMENSIONS**

Note: Standard fixture height is 41.61". Other fixture heights are available (see fixture options)

**Motion Detection Option** Three different motion activated options can be ordered with PL2 Series LED Bollards. All three options are configured to work with an internal motion sensor that is invisible from the outside of the fixture. Option "M" is a simple On/Off operation with the fixture normally in the off state and switching to full on when motion is detected. Options "S" and "H" work with a High/Low light level switch. Option "S" is normally set to 10% of full brightness and switches to 100% when motion is detected. Option "H" has a field configurable low illumination setting that can range from 10% to 100% of full output. The user sets the desired low illumination level that the fixture will operate at when no motion is detected. When the sensor detects movement the fixture switches to full brightness.

**Emergency Lighting Option** An emergency battery backup (Option "EM") can be installed inside the bollard to provide 90 minutes of emergency illumination during a power outage. This option requires a switched AND an un-switched power source. The battery test switch is internal to the fixture so it does not compromise the wet location integrity or the look of the fixture. The test switch is activated from outside the fixture with the use of a supplied magnetic stylus. EM option temperature range is 0°C - 50°C (32°F - 122°F).

**Listing** UL1598 and CSA C22.2-250 • Suitable for wet locations • Union made • Assembled in the USA • Meets Buy American Act • 5 year limited warranty when used in accordance with manufacturer guidelines.

Specifications subject to change without notice.

# PL2 SERIES LED BOLLARDS

## ORDERING INSTRUCTIONS – Example: PL2-A15-4K-UN-5-BZ-H

Series	Light Engine	CCT	Voltage	Distribution	Finish	Options
PL2	-A15	-4K	-UN	-5	-BZ	-H
PL2	-A15 - 450mA -A25 - 900mA	-4K - 4000K CCT -3K - 3000K CCT	-UN - 120-277VAC -E12 - 120VAC -E20 - 208VAC -E24 - 240VAC -E27 - 277VAC -E34 - 347VAC -E48 - 480VAC -E48 - 480VAC	-5 - 360°, 4 modules -3 - 90°, 2 modules	-BL - Black -BZ - Bronze -SL - Silver -WH - White  Contact factory for special colors. Provide RAL number	-H <sup>1, 2</sup> - Motion sensor hi/lo with user adjustable low level (must specify voltage) -M <sup>1, 2</sup> - Motion sensor on/off -S <sup>1, 2</sup> - Motion sensor hi/lo with low level factory set to 10% of full illumination (must specify voltage) -D <sup>1</sup> - 0-10VDC dimming capable -EM - Emergency battery (available in 120V or 277V only) -LAB - Less anchor bolts (anchor bolts ordered and shipped separately) -22 <sup>3</sup> - 22" long fixture not available with any other options. Only available with "UN" voltage (120-277V)

**NOTES:**

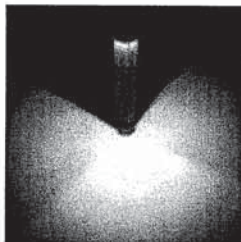
- <sup>1</sup> Options H, M, S and D may not be combined
- <sup>2</sup> Options H, M and S are available for 120V or 277V only
- <sup>3</sup> Fixtures with option "-22" are only available in 120-277V

**ACCESSORY:**

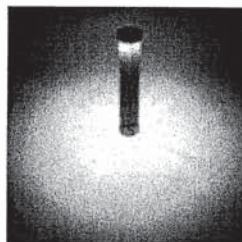
PL2ANCHOR - Anchor bolt and template kit

NOTE: Fixtures are supplied with anchor bolts and template unless "LAB" option is specified. When "LAB" option is specified, the fixtures ship without the anchor bolts and template which need to be ordered separately (order PL2ANCHOR accessory).

## LIGHT DISTRIBUTION



2 modules  
at 90°  
270° of Illumination  
DISTRIBUTION 3



4 modules  
at 360° of Illumination  
DISTRIBUTION 5

## PERFORMANCE DATA

CATALOG NUMBER	OPTICAL DISTRIBUTION	LUMENS	CCT	VOLTAGE	WATTAGE
PL2-A25-4K-UN-5	5	2525	4000K	120V	45
PL2-A15-4K-UN-5	5	1263	4000K	120V	25
PL2-A25-4K-UN-3	3	1069	4000K	120V	25
PL2-A15-4K-UN-3	3	535	4000K	120V	13

## LED LUMEN DEPRECIATION

Ambient Temperature	L <sub>70</sub> Hours
77°F (25°C)	100,000

NOTE: L70 is the predicted time when LED performance depreciates to 70% of initial lumen output while operating at the specified ambient temperature.



1300 S. Wolf Road • Des Plaines, IL 60018 Phone (847) 827-9880 • Fax (847) 827-2925  
 220 Chrysler Drive • Brampton, Ontario • Canada L6S 6B6 • Phone (905) 792-7335 • Fax (905) 792-0064  
 Visit us at [www.junolightinggroup.com](http://www.junolightinggroup.com) Specifications are subject to change with out notice

# PL2 SERIES LED BOLLARDS

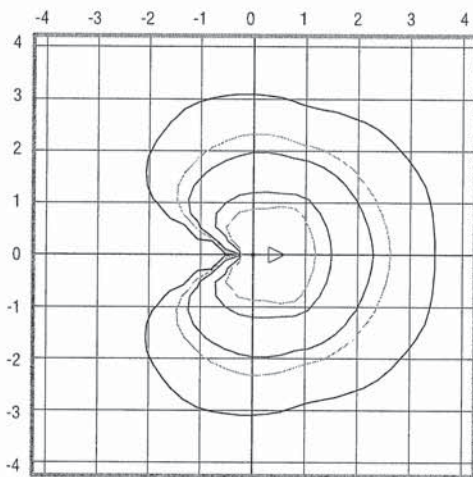
## PHOTOMETRY

Luminaire Classification System (LCS)

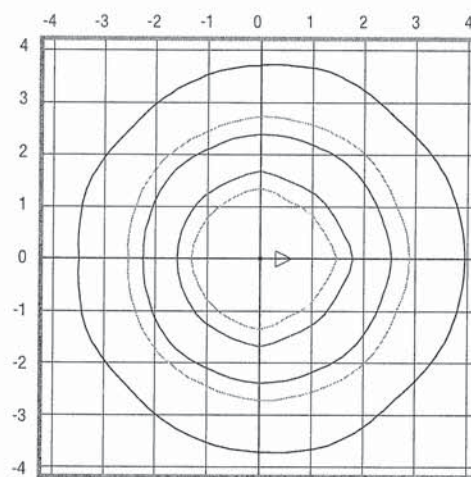
Zone	PL2-A25-4K-UN-5		PL2-A25-4K-UN-3	
	Luminaire Lumens	% of Luminaire Lumens	Luminaire Lumens	% of Luminaire Lumens
<b>Forward Light</b>	<b>1,257</b>	<b>49.8%</b>	<b>793</b>	<b>74.2%</b>
FL (0°-30°)	400	15.8%	263	24.6%
FM (30°-60°)	668	26.4%	424	39.6%
FH (60°-80°)	171	6.8%	94	8.8%
FVH (80°-90°)	19	0.7%	12	1.2%
<b>Back Light</b>	<b>1,181</b>	<b>46.8%</b>	<b>243</b>	<b>22.7%</b>
BL (0°-30°)	388	15.4%	76	7.1%
BM (30°-60°)	639	25.3%	136	12.7%
BH (60°-80°)	136	5.4%	30	2.8%
BVH (80°-90°)	17	0.7%	2	0.2%
<b>Up Light</b>	<b>87</b>	<b>3.4%</b>	<b>33</b>	<b>3.1%</b>
UL (90°-100°)	29	1.2%	12	1.1%
UH (100°-180°)	58	2.3%	22	2.0%
<b>Trapped Light</b>	<b>N/A</b>	<b>N/A</b>	<b>N/A</b>	<b>N/A</b>
BUG Rating	B1-U2-G1		B0-U2-G1	

All tests were performed according to IES LM-79-08

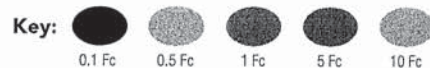
Isofootcandle plots. Distances are in units of mounting height (3.3')



PL2-A25-4K-UN-3-SL



PL2-A25-4K-UN-5-SL



1300 S. Wolf Road • Des Plaines, IL 60018 Phone (847) 827-9880 • Fax (847) 827-2925  
 220 Chrysler Drive • Brampton, Ontario • Canada L6S 6B6 • Phone (905) 792-7335 • Fax (905) 792-0064  
 Visit us at [www.junolightinggroup.com](http://www.junolightinggroup.com) Specifications are subject to change with out notice



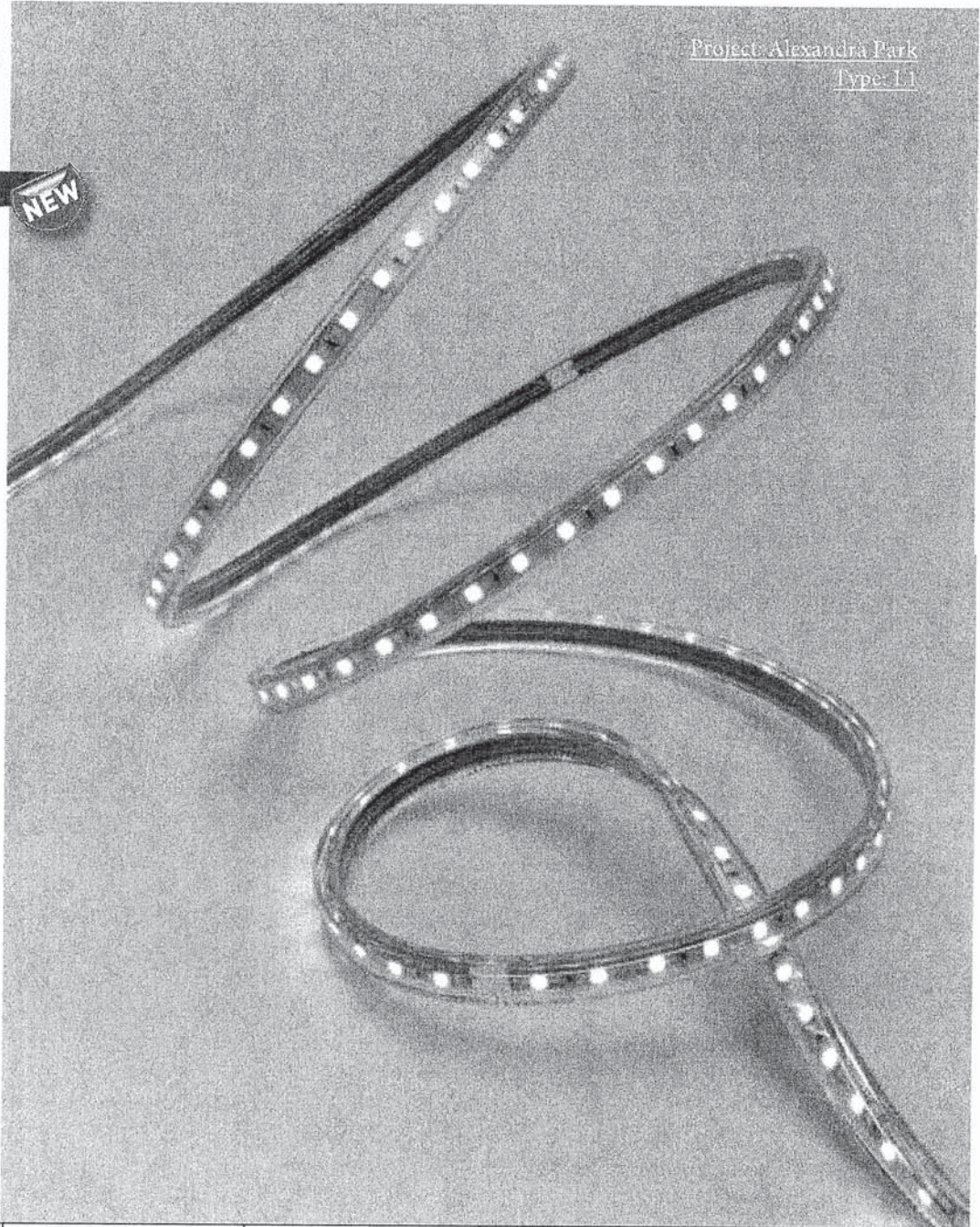
**EUROfase®**  
LIGHTING

Project: Alexandra Park  
Type: L1

**EF409001 HYDROTAPE LED**

**NEW**

- Flexible linear LED strip
- Made on a white flexible circuit covered by silicone
- 14 W/meter - 30 LEDs/meter
- Epistar LED
- **SMD5050**
- The strip can be cut every meter; in case of intermediate cuts, the cut ends must be properly sealed, to maintain the IP protection as declared.



14W/METER

120V 50-60HZ

IP67

7,50 KG UNIT GROSS WEIGHT (50 M.)

LIGHT BEAM OPTIONS

FLOOD

BULB FEATURES

L.E.D.

LIGHT COLOURS

3000° K WARM WHITE

AVAILABLE COLOURS

WHITE

# SMLLED-IP67

LINEAR LED

Type: L2  
 Project: ALEXANDRA PARK

Delivered Lumens:  
330 lm per foot

Input Wattage:  
4.8W per foot

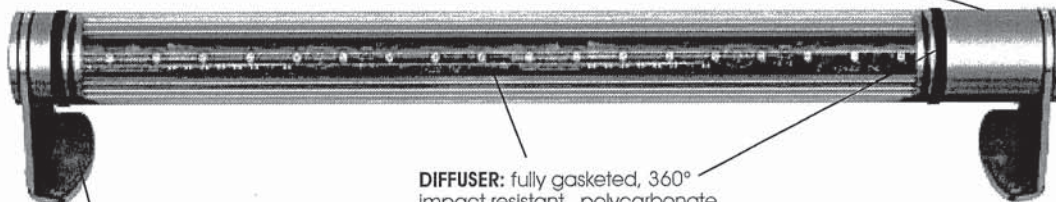
Efficacy:  
58 lm/W

Colour Temperatures:  
3500K  
4000K  
5700K

Projected Lumen  
Maintenance:  
L<sub>70</sub> @ >100,000 hrs.

**LENGTH:** Available in 2ft, 4ft, 6ft or custom lengths

**HOUSING:** high grade single piece extruded aluminum alloy with anodized or hard anodized finish



**DIFFUSER:** fully gasketed, 360° impact resistant, polycarbonate enclosure, 1/16" thick

**MOUNTING:** 360° fully adjustable mounting bracket

**APPLICATIONS:** The SPYDER® MINI IP67 is ideal for outdoor applications including: signs, wall washing, under railings, water features, fountains and is ideal for food prep and processing areas.

## CONFIGURATIONS

MODEL	LENGTH	COLOUR TEMP	LENS	OPERATION	MOUNTING	FINISH
SMLLED-IP67	2 (2 ft)	WT35 (3500K)	NOL (no optical lens)	24VDC <sup>4</sup>	AC <sub>4</sub> (aviation cable)	AB (anodized black)
SMLLED-IP67-SL	4 (4 ft)	WT40 (4000K)			SM (surface mount)	AC (anodized clear)
	6 (6 ft)	WT57 (5700K)				HAB (hard ano. black)
	custom <sup>1</sup>	RGB (colour mixing)				HAT (hard ano. titanium)
		SCL <sup>2</sup> (single colour LED)				CAC <sup>5</sup> (custom ano. color)

NOTE<sup>1</sup>: must specify; custom lengths can be no longer than 6ft per unit & must be in increments of 1ft

NOTE<sup>2</sup>: must specify color

NOTE<sup>4</sup>: remote power supply required, contact factory

NOTE<sup>4</sup>: specify length: 50" 72", 100", 150", 250" fully adjustable

NOTE<sup>5</sup>: custom colours must be specified

**ELECTRICAL:** Class II remote power supplies are required. Consult factory for options.

**POWER LINE/FEED:** Single colour LED fixtures use a 36" long black two wire cord. RGB LED fixtures use a 36" long four wire cord.

**MECHANICAL:** Uses a high grade single piece extruded aluminum alloy with an anodized or hard anodized finish gasketed in a polycarbonate enclosure.

**LEDS:** Powered by Samsung LEDs. White is offered in 3500K, 4000K & 5700K colour temperatures. RGB colour mixing available. Single colour LED offered in: red, amber, green, cyan, blue or royal blue. RGB units are compatible with DMX-512 protocol.

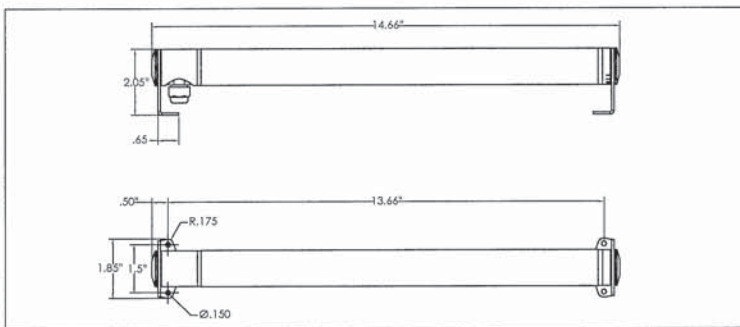
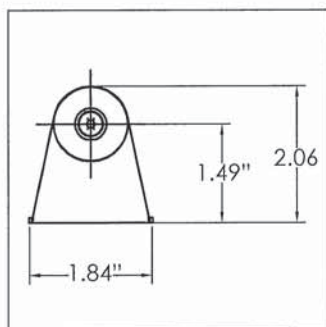
**MOUNTING:** Surface mount (SM) or Aviation cable (AC) in 50", 72", 100", 150", 250" or custom lengths, fully adjustable.

**SANITATION LISTED (SL):**

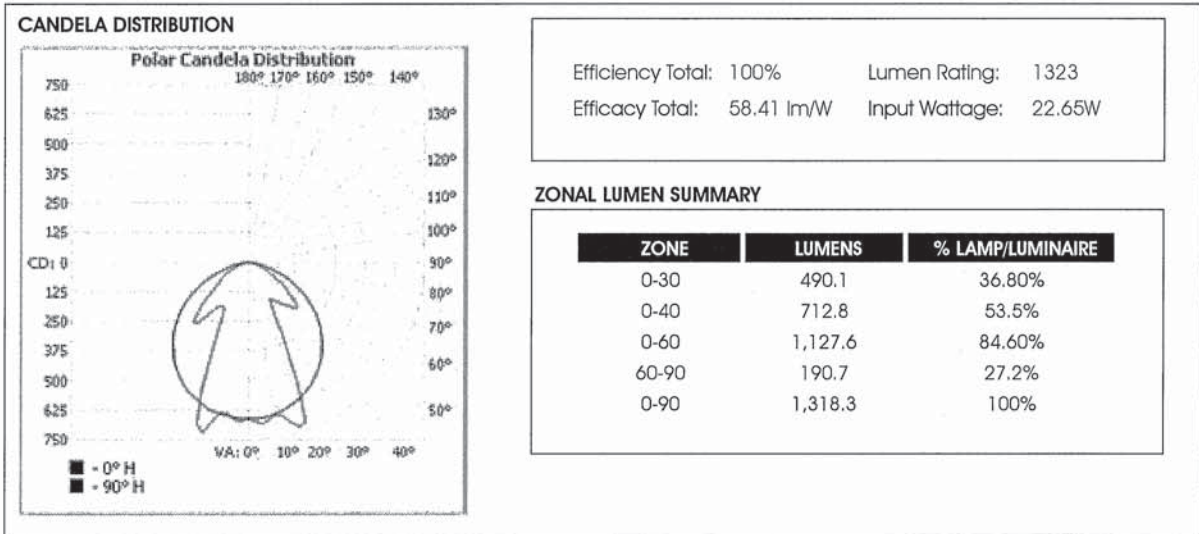
- Equivalent to the NSF standard 2
- Meets the rigorous sanitation, electrical safety and performance standards

**WATTAGE:** 4.8W per foot

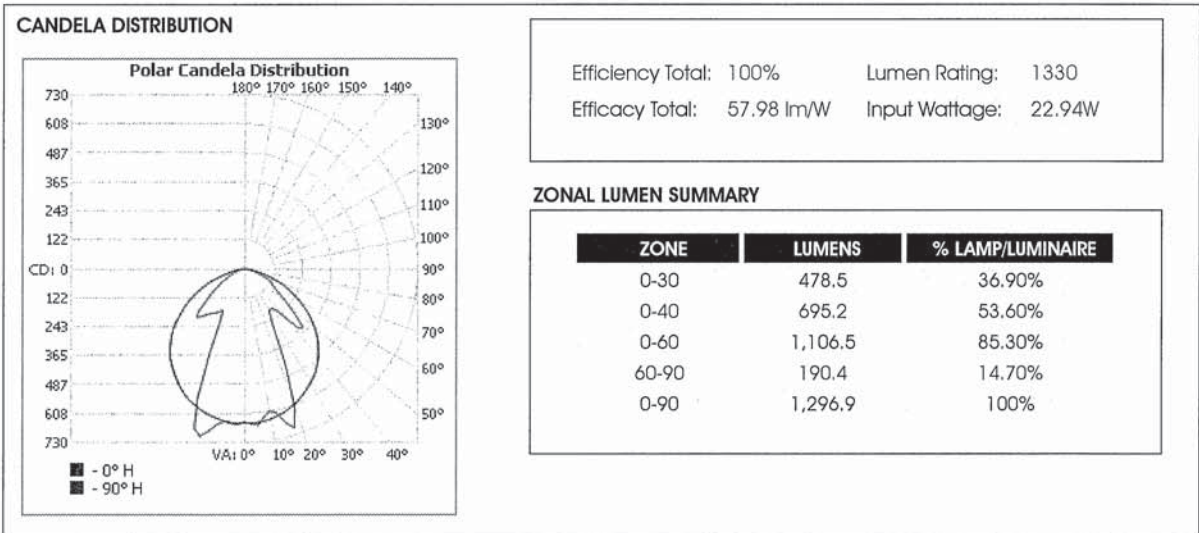
**WARRANTY:** 5 year LED warranty, see website for full warranty details.



**SMLED-IP67-4-WT40-NOL-24VDC**



**SMLED-IP67-4-WT57-NOL-24VDC**

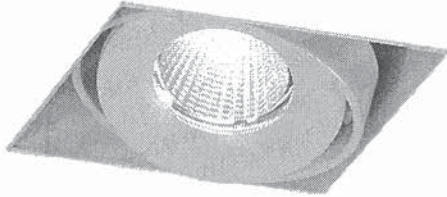


**ENERGY COMPARISON CHART**

MODEL	EFFICACY (lm/W)	WATTAGE	DELIVERED LUMENS	CRI	*L70 (HRS.)
SMLED-IP67-4-WT30-NOL-24VDC	57	23	1290	84	100,000+
SMLED-IP67-4-WT40-NOL-24VDC	58	23	1323	83	100,000+
SMLED-IP67-4-WT57-NOL-24VDC	58	23	1330	88	100,000+

\*Projected

## 1LT, TRIMLESS MULTI, 15W LED, 1-LIGHT TRIMLESS LED MULTIPLE RECESS



### Product Details

Item No.	:	TE611LED-02
Finish	:	White
Length	:	4.00000"
Width	:	4.00000"
Height	:	4.87500"
Approval	:	cETLus

### BULB DETAILS

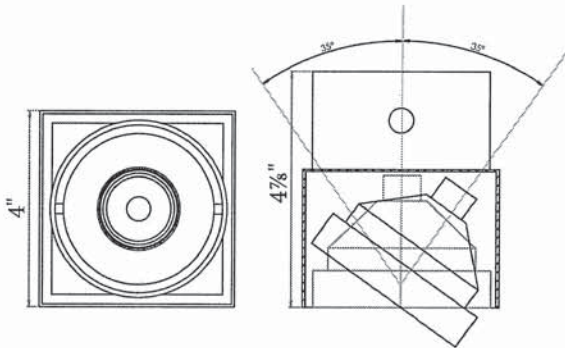
No. of Bulbs	:	1
Bulb Type	:	LED
Bulb Wattage	:	15W
Bulb Socket	:	LED
Input Voltage	:	120V
Dimmable	:	Yes
Lumens	:	1290lm
Kelvin	:	3000K
CRI	:	80+
Bulb Included	:	Yes

### Options Available

ITEM NO.	FINISH	SHADE
TE611LED-01	Black	
TE611LED-02	White	

### TECHNICAL DETAILS

Driver	:	Es 16.8w Current Driver
Beam Angle	:	40 degrees
Housing Model No.	:	Nc: 24063-012 Ic: 24083-010



### PROJECT INFORMATION

Job Name:  Date:  Type:

Comments: