

DanaLite
Architectural Linear Lighting

Project: _____

Fixture Type: _____

Location: _____

Contact/Phone: _____

DANALITE LINEAR T5 FLUORESCENT SIGN/DISPLAY

PRODUCT SPECIFICATIONS

Linear T5 Fluorescent Sign/Display • Available in standard 2', 3', and 4' versions.

Lamp Available with 5/8" F14T5, F21T5, F28T5 or F35T5 miniature bi-pin (G5) base linear fluorescent lamps with 20,000 hours life and high CRI • **Order lamps separately** (Refer to specification sheet [E5.1.0](#) for lamp data).

Ballast Remote mount • High frequency electronic • U.L. listed and approved • High power factor • Class P thermally protected • Meets F.C.C., R.F.I requirements • **Order ballast separately** (Refer to specification sheet [E5.1.0](#) for ballast data).

Lens Options None, Clear, Prismatic, Frosted (Lenses feature opaque co-extruded edges to eliminate glare).

Fixture Rotation 355°.

Extrusion Housing/Stems Extruded aluminum housing and stem.

Finish Brushed Aluminum, White and Black.

Labels U.L. listed for U.S. and Canada • Union made Product specifications subject to change without notice.

INSTALLATION

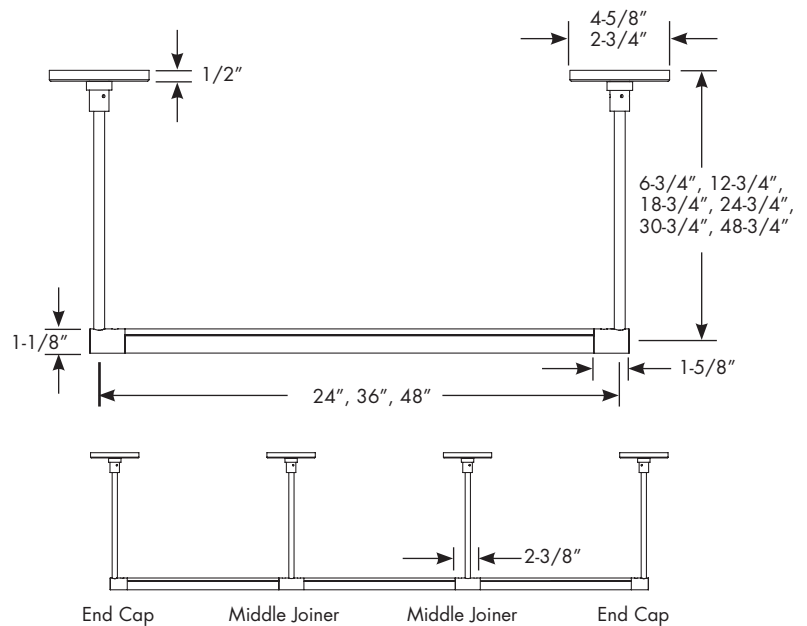
Mounting Options Stems are capable of mounting to j-box or direct to wall/ceiling. From ceiling stem lengths: 6", 12", 18", 24", 30" and 48" (18" max stem length from wall.)

Canopy options – 2" round, 4" square remote, 4" round.

LED versions also available. See the DanaLite DL Series.



DIMENSIONS



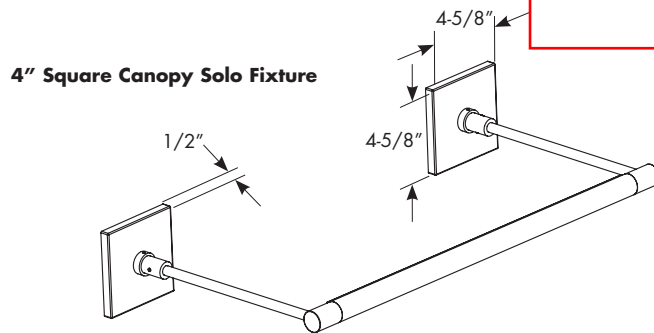
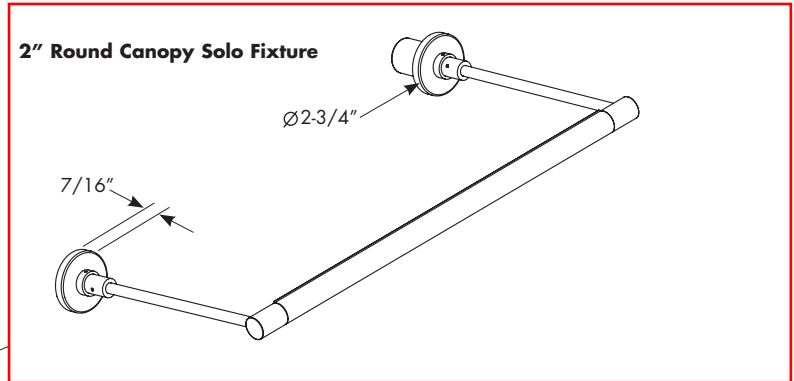
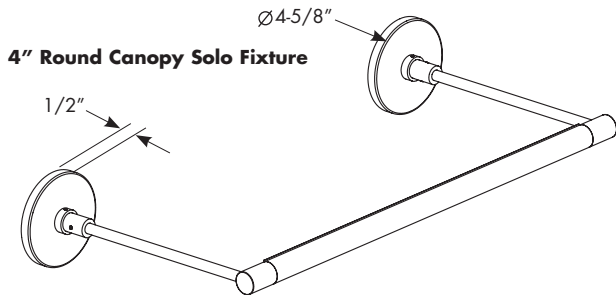
Two End Joints required for each run.
One Middle Joint required between each fixture.

DANALITE

LINEAR T5 FLUORESCENT SIGN/DISPLAY

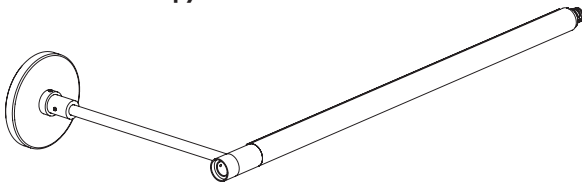
DIMENSIONS

SOLO FIXTURE

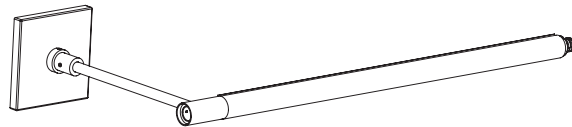


MULTI FIXTURE

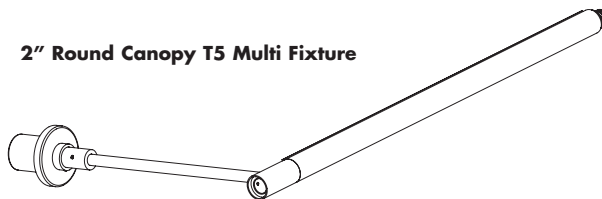
4" Round Canopy Multi Fixture



4" Square Canopy Multi Fixture



2" Round Canopy T5 Multi Fixture



DANALITE

LINEAR T5 FLUORESCENT SIGN/DISPLAY

ORDERING INFORMATION

Example: **DF2S-4R12-WHP**

Fixture	Fixture Length	Solo or Multiple	Canopy/Power Supply	Mounting Stem Length*	Finish	Lens Type
DF	2	S	2R	12	BL	F
DF T5 Fluorescent	2 2 ft. 3 3 ft. 4 4 ft.	S Solo M Multiple	2R 2" Round/Remote 4R 4" Round/Remote 4S 4" Square/Remote	06 6" 12 12" 18 18" 24 24" 30 30" 48 48"	WH White Paint BL Black Paint BA Brushed Aluminum	C Clear P Prismatic F Frosted Blank for No Lens

*18" max. length for wall installations

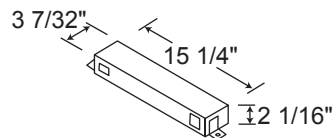
T5 FLUORESCENT

T5 Fluorescent Ballast

BET5HO-124	Fluorescent Ballast for (1) T5/HO Lamp up to 24W (120/277V)
BET5HO-139	Fluorescent Ballast for (1) T5/HO Lamp up to 39W (120/277V)
BET5HO-154	Fluorescent Ballast for (1) T5/HO Lamp up to 54W (120/277V)
BET5HO-180	Fluorescent Ballast for (1) T5/HO Lamp up to 80W (120/277V)
BET5HO-224	Fluorescent Ballast for (2) T5/HO Lamps up to 24W (120/277V)
BET5HO-239	Fluorescent Ballast for (2) T5/HO Lamps up to 39W (120/277V)
BET5HO-254	Fluorescent Ballast for (2) T5/HO Lamps up to 54W (120/277V)
BET5-2-U	T5 Fluorescent Ballast for (1) or (2) T5 Lamps

T5HO FLUORESCENT LAMPS/WATTAGE

F24T5/830	24W 21.6" length, 2000 lumens, 3000K, CRI=85, 20,000 hrs. life.
F24T5/835	24W 21.6" length, 2000 lumens, 3500K, CRI=85, 20,000 hrs. life.
F24T5/841	24W 21.6" length, 2000 lumens, 4100K, CRI=85, 20,000 hrs. life.
F39T5/830	39W 33.4" length, 3500 lumens, 3000K, CRI=85, 20,000 hrs. life.
F39T5/835	39W 33.4" length, 3500 lumens, 3500K, CRI=85, 20,000 hrs. life.
F39T5/841	39W 33.4" length, 3500 lumens, 4100K, CRI=85, 20,000 hrs. life.
F54T5/830	54W 45.2" length, 5000 lumens, 3000K, CRI=85, 20,000 hrs. life.
F54T5/835	54W 45.2" length, 5000 lumens, 3500K, CRI=85, 20,000 hrs. life.
F54T5/841	54W 45.2" length, 5000 lumens, 4100K, CRI=85, 20,000 hrs. life.



PHOTOMETRIC REPORT

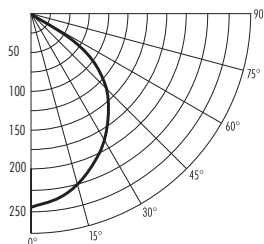
Test Report #: PT03121204

Catalog No: DF2S

with Clear Lens

Luminaire Spacing Criterion: 1.20

Luminaire LPW: 27



CANDLEPOWER DISTRIBUTION (Candelas)

Degrees	Vertical	0°
0	240	
5	237	
15	221	
25	198	
35	170	
45	138	
55	104	
65	69	
75	38	
85	15	
90	8	

Multiplier for Standard Output:

For 39W Output = 1.75

For 54W Output = 2.50

AVERAGE INITIAL FOOTCANDLES

Multiple Units (Square Array, 60'x60' room)

Ceiling 80% Wall 50% Floor 20%

Spacing	RCR1	RCR3	RCR5
4.0'	41	34	29
5.0'	27	22	19
6.0'	18	15	13
7.0'	15	12	10
8.0'	12	10	8
9.0'	9	7	6
10.0'	7	5	5

ZONAL LUMEN SUMMARY

Zone	Lumens	%Lamp	%Fixture
0-30°	177	5.9	29.0
0-40°	284	9.5	46.6
0-60°	484	16.1	79.4
0-90°	609	20.3	100.0

INITIAL FOOTCANDLES

(One Unit, 22.6W, 100.6° Beam)

Distance to Illuminated Plane (Feet)	Footcandles Beam Center	Beam Diameter
6	6.7	14.5'
8	3.7	19.3'
10	2.4	24.1'
12	1.7	28.9'

LUMINANCE (Average cd/m²)

Degrees	Average Luminance
45	20206
55	19929
65	19609
75	20610
85	30602