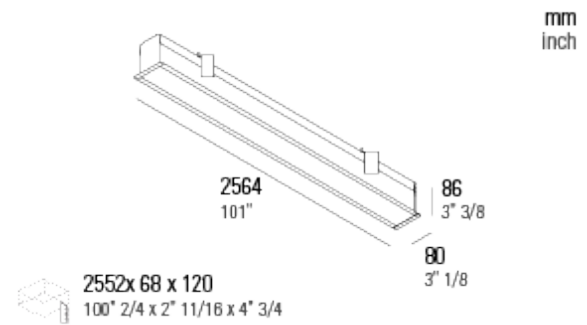


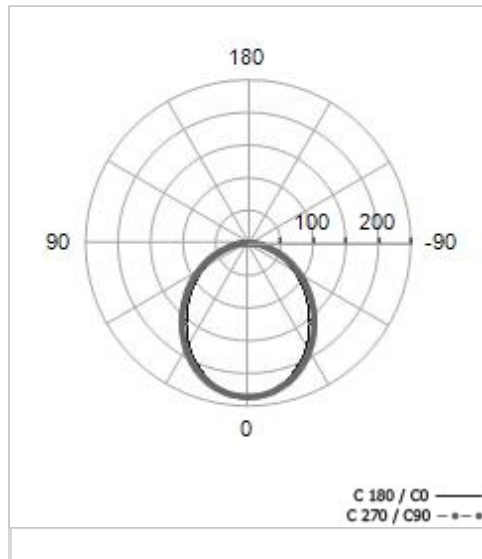
# GYON LEDplus R GL 2700 HO 830 FO

Code: 13.6113.6138.1

**L.11A**



## Photometric Data



Lamp	
Light output ratio	
LOR	59%
ULOR	0%
DLOR	59%
Total luminous flux	5294 lm
Luminaire efficacy (LEF)	71 lm/W
UGR values	
X=4H, Y=8H	S=0,25H
Radiant class	70/50/20
UGR - transverse	24.1
UGR - longitudinal	24.9
Classification	
BZ	BZ 4
UTE	0.59 D
DIN	A40
CIE	51 81 96 100 59

## Description

- Recessed architectural linear LED luminaire
- Extruded aluminium profile body, anodised or white colour finish
- Diffuser: made from polycarbonate, opal blend finish (GL) or micro-prismatic (PR)
- High flux PCB linear LED modules with high colour consistency SDMC≤3 (2-bin selection)
- LED colour option: 3000K or 4000K; CRI 85; other on request
- Maintenance: 50.000h L80
- Integrated 0-10V dimmable driver; flicker-free operation also during dimming procedure
- Power supply: 120-277V 60 Hz
- Tool free easy maintenance

# GYON LEDplus R GL 2700 HO 830 FO

Code: 13.6113.6138.1

---

## Circuit Breaker Data

Miniature circuit breaker data / starting currents

Breaker type	B10	B16	B20	B25	C10	C16	C20	C25
Quantity	5	9	11	14	9	15	18	23

Inrush current: 39,6 A  
Pulse duration: 280  $\mu$ s

---

## Options

13.6113.6138.1	GYON LEDplus R GL 2700 HO 830 FO/1-10V white	7,5 kg
13.6113.6138.6	GYON LEDplus R GL 2700 HO 830 FO/1-10V anodised	7,5 kg