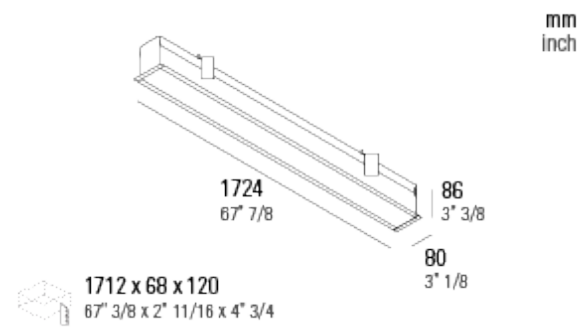


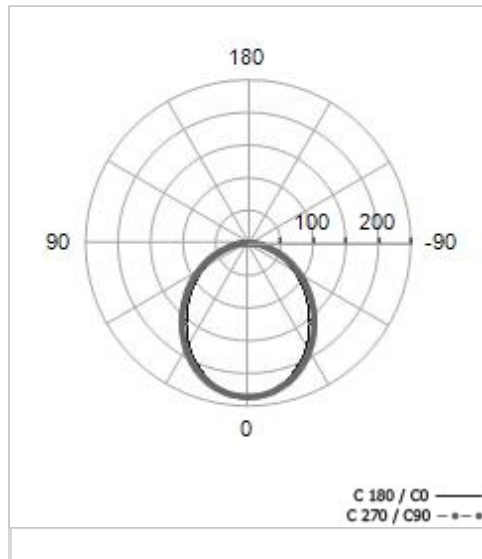
GYON LEDplus R GL 1800 HO 830 FO

Code: 13.6113.6135.1

L.11B



Photometric Data



Lamp	
Light output ratio	
LOR	59%
ULOR	0%
DLOR	59%
Total luminous flux	3529 lm
Luminaire efficacy (LEF)	69 lm/W
UGR values	
X=4H, Y=8H	S=0,25H
Radiant class	70/50/20
UGR - transverse	24.1
UGR - longitudinal	24.9
Classification	
BZ	BZ 4
UTE	0.59 D
DIN	A40
CIE	51 81 96 100 59

Description

Recessed architectural linear LED luminaire
Extruded aluminium profile body, anodised or white colour finish
Diffuser: made from polycarbonate, opal blend finish (GL) or micro-prismatic (PR)
High flux PCB linear LED modules with high colour consistency SDMC \leq 3 (2-bin selection)
LED colour option: 3000K or 4000K; CRI 85; other on request
Maintenance: 50.000h L80
Integrated 0-10V dimmable driver; flicker-free operation also during dimming procedure
Power supply: 120-277V 60 Hz
Tool free easy maintenance

GYON LEDplus R GL 1800 HO 830 FO

Code: 13.6113.6135.1

Circuit Breaker Data

Miniature circuit breaker data / starting currents

Breaker type	B10	B16	B20	B25	C10	C16	C20	C25
Quantity	11	18	22	28	18	30	37	46

Inrush current: 19,8 A
Pulse duration: 280 μ s

Options

13.6113.6135.1	GYON LEDplus R GL 1800 HO 830 FO/1-10V white	5,5 kg
13.6113.6135.6	GYON LEDplus R GL 1800 HO 830 FO/1-10V anodised	5,5 kg