

LINEAR SUSPENSION

Knox Linear Suspension

DESCRIPTION

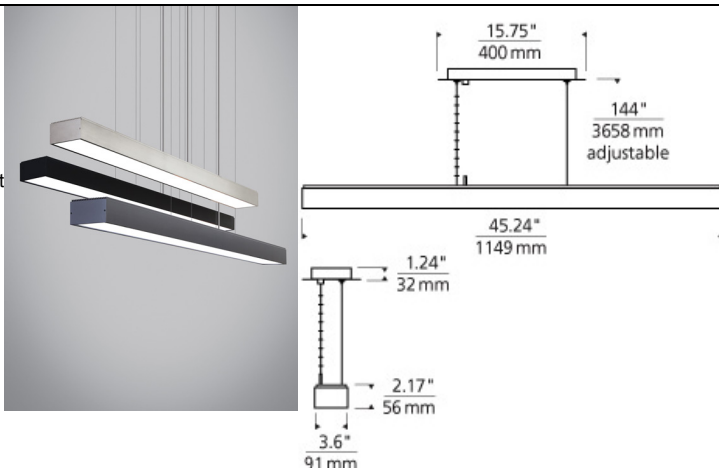
Strong lines. Industrial simplicity. This LED suspension fixture performs as it must with such a simple yet handsome design and lets the light itself take center stage. Equally at home over a kitchen island or dining room table as it is in a professional setting over a conference table, lighting a desk space or welcoming guests. At 40 watts of field-replaceable LED strips, it will provide incredible illumination in virtually any environment (3500 lumens, 3000K). Ships with 21 feet of field-cuttable cord and twelve feet of aircraft cable. Dimmable with low-voltage electronic dimmer.

INSTALLATION

This product can mount to either a 4" square electrical box with round plaster ring or an octagonal electrical box (not included).

WEIGHT

18lb / 8.16kg ±



knox linear suspension

ORDERING INFORMATION

700LSKNOX FINISH

LAMP

B BLACK	-LED LED 3000V 120V
M GUNMETAL	-LED277 LED 3000V 277V
S SATIN NICKEL	



TECH LIGHTING®
 7400 Linder Avenue T 847.410.4400
 Skokie, Illinois 60077 F 847.410.4500

Tech Lighting, L.L.C.

700LSKNOX _____

FIXTURE TYPE: _____

JOB NAME: _____

NOTES: _____
