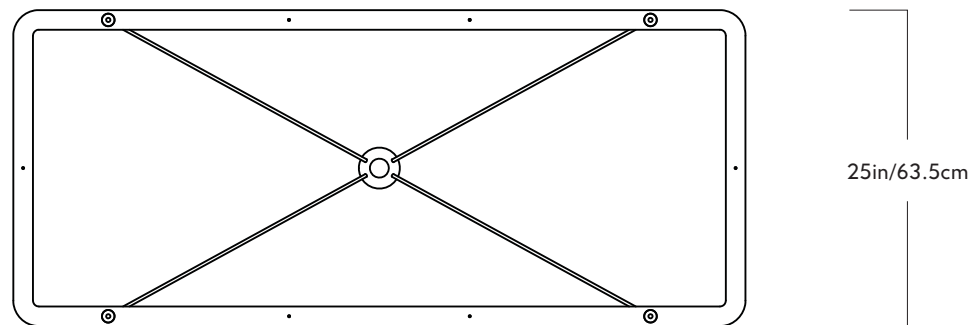
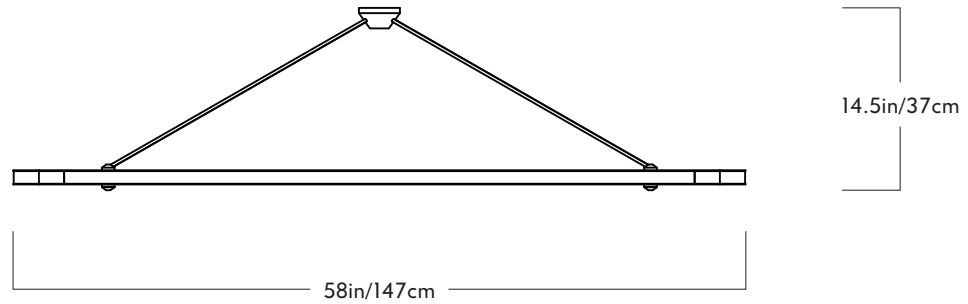


Roll & Hill

32 33rd Street, Unit 10, Brooklyn, NY 11232
 T +1 718 387 6132 F +1 718 387 6104
 www.rollandhill.com

Chandelier inspiration only,
 Bethel to recreate this



Halo

Series
Halo

Product
Rectangle Pendant

Lead Time
12 weeks

Dimensions
L 58in/147cm x W 25in/63.5cm x
H 14.5in/37cm

Weight
22lb/10kg

Rectangle Pendant

Materials
Steel, acrylic

Finishes
Blackened steel, oil-rubbed bronze,
polished nickel, brushed brass

SUSPENSION
1/2-inch steel stem in matching metal finish. 35-inch length included with lamp. 96-inch length available for additional cost. Stem length can be adjusted on site.

CANOPY
9-inch round in matching metal finish

Dimmer Compatibility
Triac/Phase-Cut

120V Illumination
LED

Wattage: 76.8 Watts
Lumens: 6347 Lumens
Color Temperature: 2700 Kelvin
Life Hours: 50,000

240V Illumination
LED

Wattage: 76.8 Watts
Lumens: 6347 Lumens
Color Temperature: 2700 Kelvin
Life Hours: 50,000