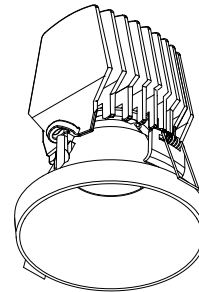


# PIPES RV S LED 17W 450mA IP20

Code: 13.0540.1xz0.y

L.1A

x	LED colour temperature	z	Optics	y	Body colour	y	Body colour
1	3000K	1	24°	1	White	4	Crème beige
2	4000K	3	36°	2	Black	8	Corten
				3	Dark beige	7	Gold



mm  
inch

132 mm  
5" 1/4 in

25°

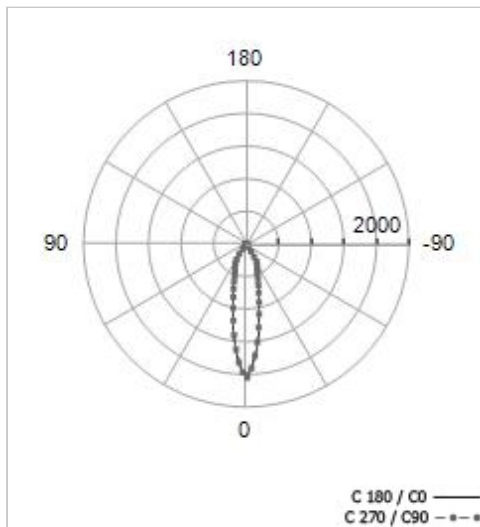
Ø100 mm  
3" 15/16 in



Ø95x170  
3" 3/4 x 6" 3/4



## Photometric Data



Lamp	
Light output ratio	
LOR	70%
ULOR	0%
DLOR	70%
Total luminous flux	
Luminaire efficacy (LEF)	1260 lm 71 lm/W
UGR values	
X=4H, Y=8H	S=0.25H
Radiant class	70/50/20
UGR - transverse	17.8
UGR - longitudinal	17.8
Classification	
BZ	BZ 1
UTE	0.70 A
DIN	A60
CIE	93 97 99 100 70

## Description

Professional recessed adjustable power LED spotlight  
 Polycarbonate body, variety of colour finish: white (y=1), black (y=2), dark beige (y=3), crème beige (y=4), corten (y=8), gold (y=7)  
 Available with IP20 or IP44 protection (different code for IP44)  
 High efficiency optics available in 24° (z=1) or 36° (z=2) beam angle; optic orientation 25°  
 High-power LED engine with CoB technology; 7,8W @ 350mA , Vf: 36V; max driver current 450mA reaching up to 1450 lm (colour 840)  
 LED colour temperature: 3000K (x=1) or 4000K (x=2)  
 Power LED's available in CRI 85 or CRI 95; colour consistency SDCM≤3  
 Require constant current driver 120V - order separately

**PIPES RV S LED 17W/830 Max.450mA**  
**24° IP20 White**

**Code:** 13.0540.1110.1



---

**Circuit Breaker Data**

Miniature circuit breaker data / starting currents

Breaker type	B10	B16	B20	B25	C10	C16	C20	C25
Quantity	31	50	62	78	52	85	104	130

Inrush current: 5 A  
Pulse duration: 50 µs