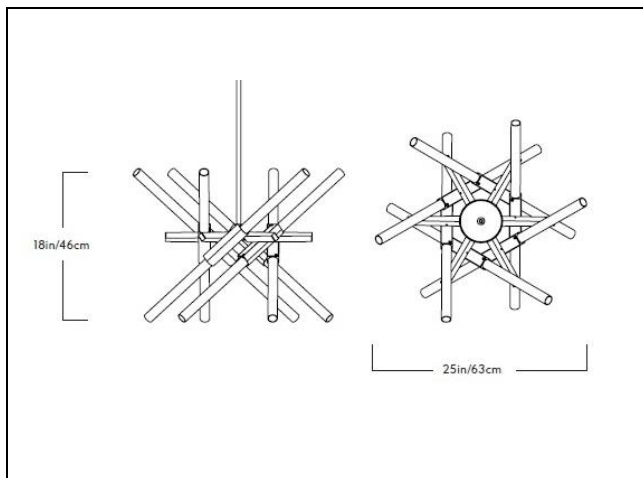
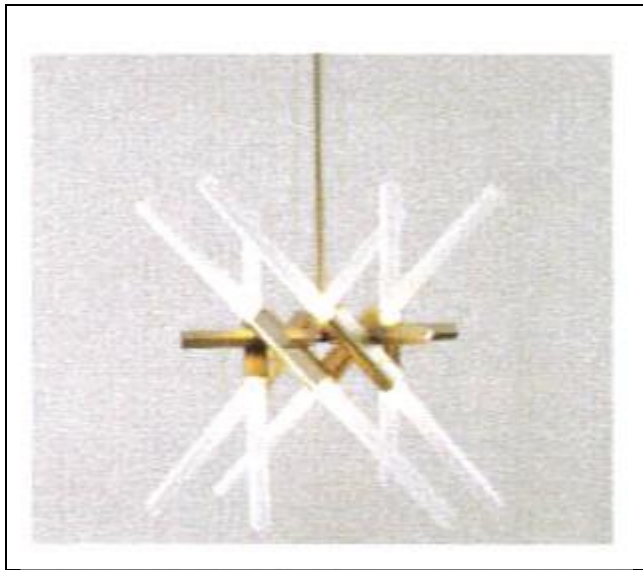


BETHEL INTERNATIONAL

LIGHTING | FURNITURE | MIRROR | ACCESSORIES

L23



TECHNICAL CHARACTERISTICS

Type:	Chandelier
IP Protection degrees:	
Location:	Dry
Light source:	LED 3000K
Total power consumption (W):	300
Voltage / Frequency:	120V/60Hz
Warranty (Years):	1

Units per box:	1
Pes net(lb):	

MATERIAL / FINISHES

Structure material:	Machined aluminum, glass
Structure finish:	Black, bronze,

light bronze metal (match designer's sample). Provide sample for designer's approval

