

CYLINDER 6x10

architectural

L.32

LED 6" aperture open

VR series, 1100, 1500 or 2000 lumen

Project: _____

Type: _____

Catalog number: _____

LED cylinder | 120-277 Volt

Spun aluminum cylinder and trim offered in matching finishes. Trim also offered in Haze. Inner optic is in six beam angles and is only offered in a faceted ultra-bright finish.

Textured polyester powdercoat on exterior finish available in black, white, bronze or metallic silver. Other finishes available consult factory.

Pendant fixtures feature a 5/8" OD mounting stem with a swivel canopy that self-adjusts up to 45° to accommodate slope ceilings. Factory standard stem length is 12". Pendant mount for indoor applications only.

Cord mount fixtures have a standard 6-foot black power cord and aircraft cable. White cord supplied on white fixtures only. L – Factory standard cord and cable length is 6 feet, field adjustable to shorter lengths. Dimming not available with coil cord options.

Wall mount fixtures have a cast aluminum mounting arm that is 4 5/8"W x 4 7/8"H.

5-year LED component warranty details at atlantic-lighting.com/support.

Bridgelux Vera 18 Array Series

- 80 CRI is standard and a 90 CRI option is offered. With the 90 CRI option, lower lumen output and reduced lumens per watt will be experienced.
- Rated Life: 50,000 hours at 70% lumen maintenance (L70) when maintained in a 35°C ambient environment with open air flow. Ambient temperatures lower than 35°C may extend life.

Electronic Driver

- 0-10V dimming to 1% (Dimming not offered with coil cord options)
- 50/60 Hz
- 120V - 277V

Heat Sink

- Black anodized passive heat sink designed for maximum heat dissipation.

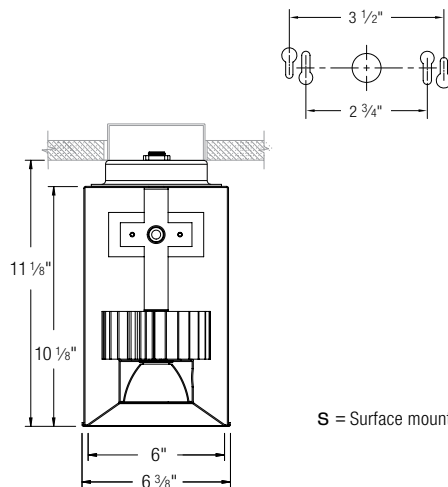
Tested and listed to ETL to UL standard 1598 and CSA standards. Listed for damp location and intended for indoor applications only. Available photometrics at atlantic-lighting.com.



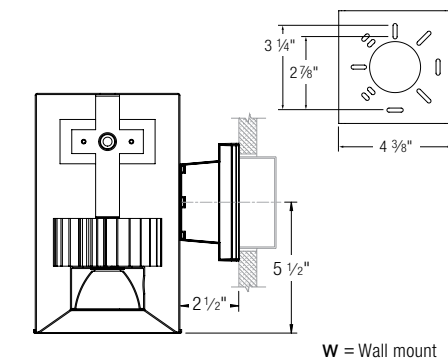
ATLANTIC LIGHTING

T: 508 678-5411 | F: 508 678-5408 www.atlantic-lighting.com

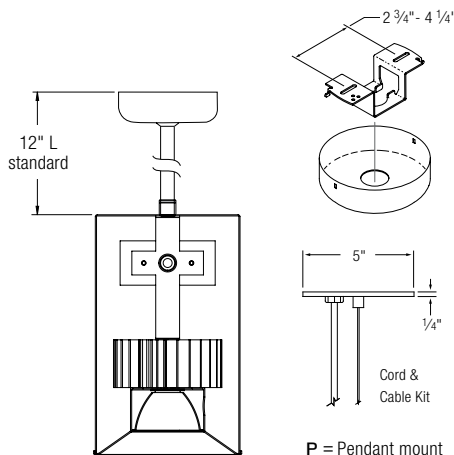
102915 NP15-020



S = Surface mount



W = Wall mount



P = Pendant mount

*Listed lumens and wattages are component measurements. See photometrics for fixture values.

Specifications and dimensions subject to change without notice.



ordering data

SERIES: _____ Architectural 6"x10" LED

- SLED610** Surface mount
- WLED610** Wall mount
- PLED610** Pendant mount
- CLED610** Cord and cable, 6' standard

DISTRIBUTION: _____

- B20** 20° beam angle
- B25** 25° beam angle
- B30** 30° beam angle
- B35** 35° beam angle
- B40** 40° beam angle
- B60** 60° beam angle

WATTS: _____

- VR15** 15 watts (≈ 1100 lumen)
- VR20** 20 watts (≈ 1500 lumen)
- VR25** 25 watts (≈ 2000 lumen)

COLOR TEMPERATURE: _____

- 27K** 2700K (80 CRI)
- 3K** 3000K (80 CRI)
- 35K** 3500K (80 CRI)
- 4K** 4000K (80 CRI)
- 5K** 5000K (80 CRI)

DIMMING: _____

- 0-10V DC standard, leave box blank
- 2WR** 2-wire, TRIAC forward-phase or ELV reverse-phase (100%-1%) (120V only)

TRIM COLORS: _____

- WH** White
- BL** Black
- BR** Bronze
- MS** Metallic silver
- HZ** Haze clear (etched)
- CC** Custom color (consult factory)

CYLINDER FINISHES: _____

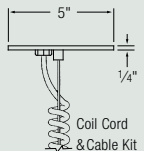
- WH** White
- BL** Black
- BR** Bronze
- MS** Metallic silver
- CC** Custom color (consult factory)

OPTIONS: _____

- 9CR** 90 CRI, effects lumens per watt
- 347V** 347V Step down transformer for remote installation

MOUNTING OPTIONS: _____

- P18** 18" pendant length
- P24** 24" pendant length
- P36** 36" pendant length
- P48** 48" pendant length
- FC** Field cut kit
- CAxx** Cord and cable, custom length replace xx with length in feet
- CCA** Coil cord and cable, adjustable from 2 to 8 feet in length
- CCA12** Coil cord and cable, adjustable from 4 to 12 feet in length



P/N Example: SLED610-B35-VR15-27K-CL-WH

SLED610-B35-VR15-27K-CL-WH

surface mount watts temp cylinder finish
distribution reflector option