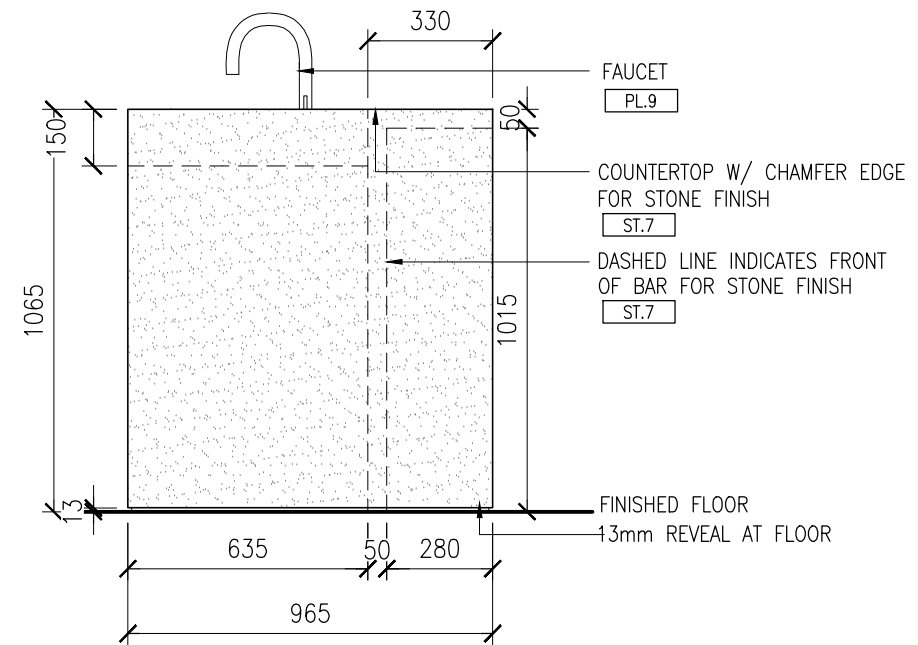
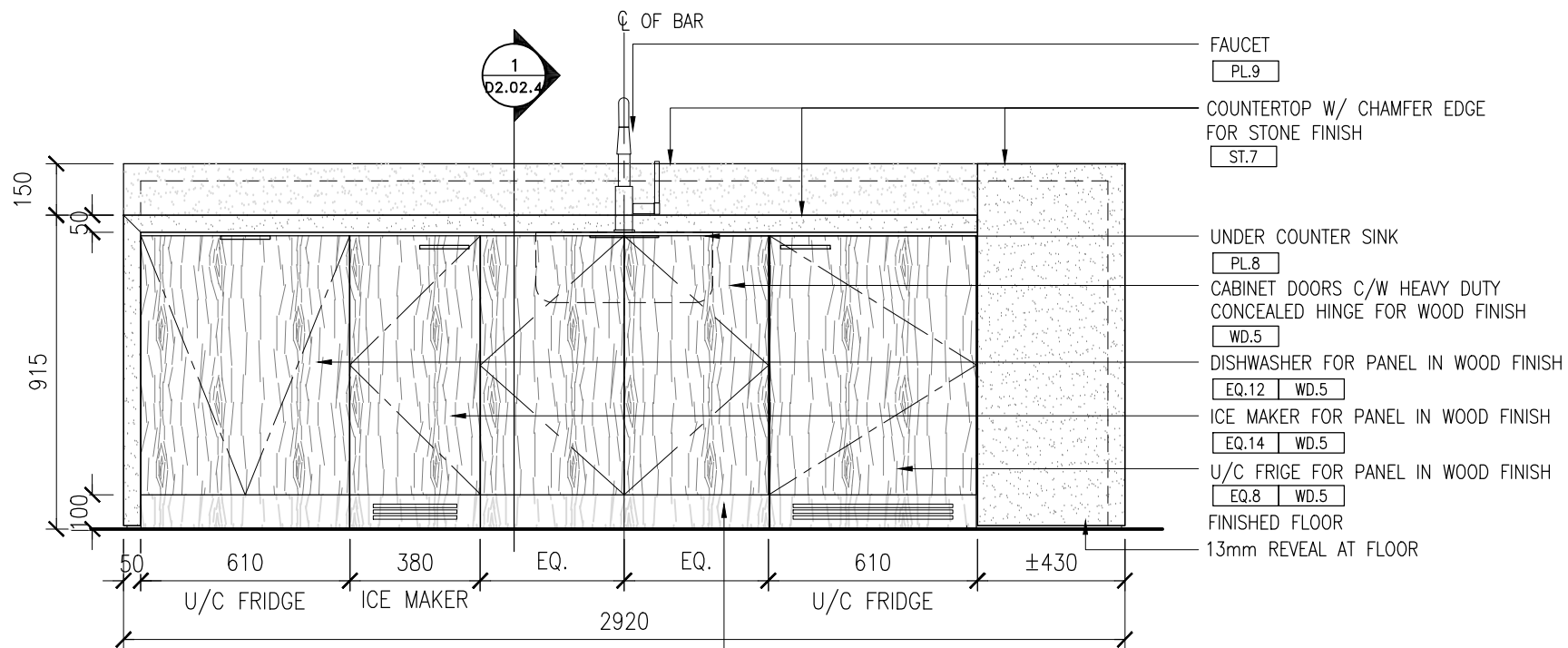


1 ELEVATION – LOUNGE AREA BAR
 D2.02.1 SCALE 1:20



2 ELEVATION – LOUNGE AREA BAR
 D2.02.1 SCALE 1:20



3 ELEVATION – LOUNGE AREA BAR
 D2.02.1 SCALE 1:20

RECESSED TOE KICK FOR WOOD FINISH
 WD.5

- Notes:**
1. CONTRACTOR AND ALL SUB-TRADES SHALL VERIFY ALL SITE DIMENSIONS, ALL DRAWINGS, DETAILS AND SPECIFICATIONS AND REPORT ANY DISCREPANCIES TO THE INTERIOR DESIGNERS IN WRITING FOR APPROVAL BEFORE PROCEEDING WITH THE WORK.
 2. CONTRACTOR AND SUB-CONTRACTORS, BEFORE PROCEEDING WITH WORK, MUST SUBMIT ALL NECESSARY SAMPLES FOR APPROVAL OF QUALITY AND FINISH TO THE INTERIOR DESIGNER.
 3. CONTRACTOR MUST COMPLY WITH THE CONTRACT DOCUMENTS, PERFORMANCE REQUIREMENTS, APPLICABLE CODES AND REGULATIONS.
 4. ALL DRAWINGS AND WRITTEN MATERIAL HEREIN CONSTITUTES THE ORIGINAL AND UNPUBLISHED WORK OF "II BY IV DESIGN ASSOCIATES INC.", AND MAY NOT BE DUPLICATED, USED OR DISCLOSED WITHOUT PRIOR WRITTEN CONSENT OF "II BY IV DESIGN ASSOCIATES INC."
 5. DRAWINGS NOT TO BE SCALED

Issue:

06 ISSUED FOR CLIENT REVIEW	16.01.15
07 ISSUED FOR TENDER	16.03.18
-	-
-	-
-	-
-	-
-	-
-	-
-	-
-	-
-	-

Hines TRIDEL®

AQUAVISTA
AT BAYSIDE TORONTO

255 QUEEN'S QUAY EAST, TORONTO ONTARIO

77 MOWAT AVENUE, SUITE 109
 TORONTO, ONTARIO M6K 3E3 – CANADA
 T + 1 416 531 2224
 12 DESBROSSES STREET
 NEW YORK, NEW YORK 10013 – USA
 T + 1 212 392 4952



Drawing Title:
**L2 LOUNGE AREA
 BAR DETAILS**

Our Project Number:
 14008
 Designed By: DM,KR, VW
 Detailed By: DM,KR, VW,KF
 Drawing Number:

D2.02.1