



PL.18

Feminine hygiene products waste receptacle
surface mounted
stainless steel

ConturaSeries

To be specified

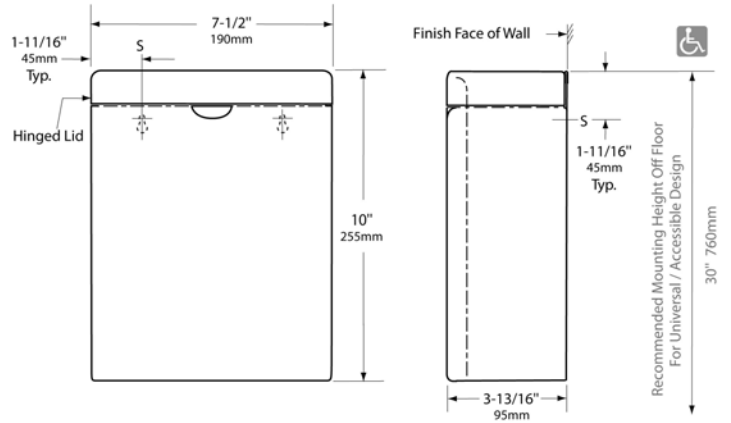
- ☒ Provide adequate backing in wall for support and comply to local codes for barrier-free requirements.

☒ B-270



CAD \$28.73

Feminine hygiene products waste receptacle - surface mounted - satin finish exposed surfaces with radius on corners - grade 18-8S 22 GA. (0.8 mm) type 304 stainless steel welded construction - drawn, one-piece, seamless contraction hinged cover .
Nominal Dimensions: 191 mm (7-1/2") x 95 mm (3-3/4") x 254 mm (10")



Note :

Drawing No. : (332618) WB25608

Estimated Total:
CAD \$28.73