



PL.20

Wall Mounted Shower Seat

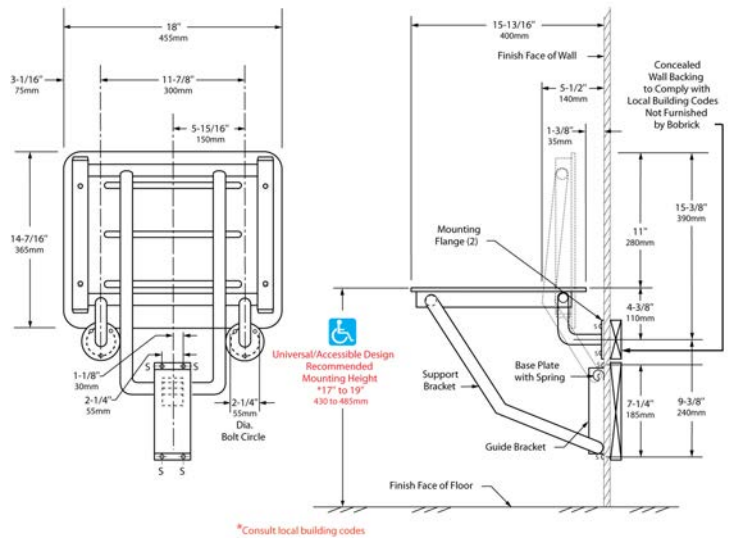
B-5191

☒ B-5191



CAD \$225.24

Shower Seat - Wall Mounted - solidly fused plastic laminate and black phenolic-resin core - matte-finish melamine surfaces - ivory-colored face sheets - satin finish 16GA. (1.6 mm) grade 18-8 type-304 stainless steel 1-1/4" (32 mm) square members, 18-gauge (1.2 mm) 1" (25 mm) dia. Tubing frame, 455 mm (17-15/16") x 365 mm (14-3/8") - satin finish type 304 3/16" (5 mm) thick stainless steel mounting flanges (2). Integral slots for water drainage. Heavy gauge stainless steel base plate. Stainless steel spring spot-welded to baseplate.



Note :

Drawing No. : (333473) SS27419

Estimated Total:  
CAD \$225.24