



To be specified

Sloan



CAD \$777.42

- ☒ 195-0.5 ES-S Royal Optima concealed Flushometer for Back Spud urinal, 1.9 L (0.5 US Gal) factory set flow, quiet action 'PERMEX' diaphragm type with dual filter by-pass, infrared sensor, bak-chek angle stop (wheel handle operated), high pressure vacuum breaker, located above the urinal, 5 VA Power Required per unit.

- ☒ Provide 4" (102 mm) square electrical box for mounting sensor plate.



- ☒ EL-154 Box Mount Hard Wired Transformer, 120 VAC/ 24 VAC, 50 VA.

Watts



CAD \$337.00

- ☒ CA-321 Fixture Carrier, steel hanger plate, heavy gauge epoxy coated steel offset uprights with welded feet supports, plated hardware. Minimum space required: for one unit: 102 mm (4") for two to six units in a row: 152 mm (6") finished metal stud wall to back of pipe space.



CAD \$154.40

- ☒ WUCO Urinal Wall Access Cleanout, two (2) piece expandable plug with 102 mm (4") diameter stainless steel access cover, secured with vandal proof stainless steel screw.

☒ 6043.005.020



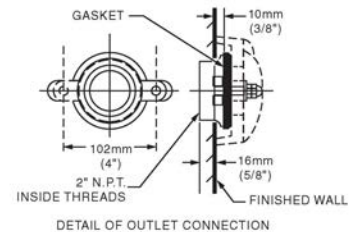
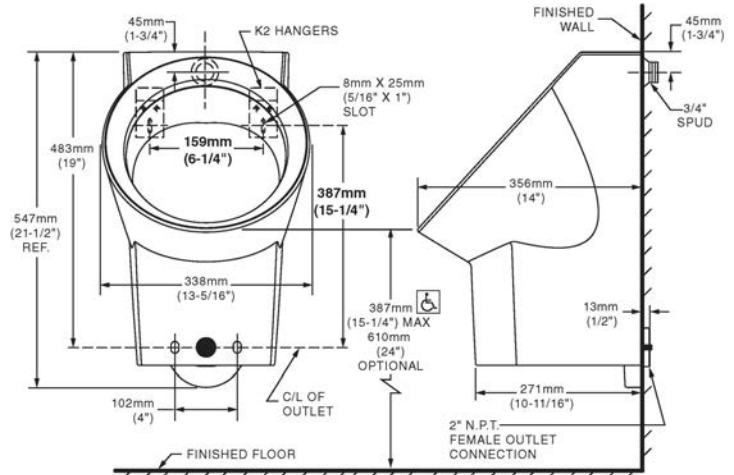
CAD \$291.00

White vitreous china with EverClean antimicrobial surface which inhibits the growth of stain and odor causing bacteria mold and mildew - wall hung - washdown action - 19 mm (3/4") dia. Back spud - integral P-trap - outlet connection 51 mm (2") - wall hanger . Minimum working pressure range: 20 P.S.I. (137 kPa) to 80 P.S.I. (550 kPa) maximum.

Nominal Dimensions: 338 mm (13-5/16") wide x 356 mm projection x 546 mm (21-1/2") high.

Shipping Weight:

Water Consumption Per Flush Cycle: 1.9 L (0.5 US Gal) per flush



Note :

Drawing No. : (332539) U16070 FV13196 TRS4989
CA23634 UC23661

Estimated Total:
CAD \$1,559.82