

Steel Queen Series

☒ QSUA1820/8

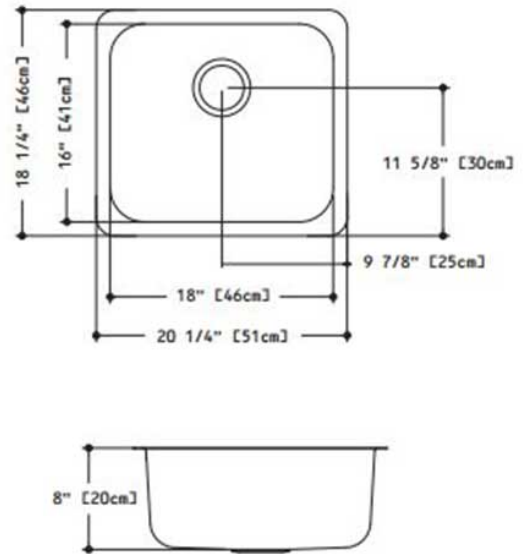


CAD \$246.00

Single Bowl Under counter sink - grade 18-10 20 GA. (0.9 mm) type 302 stainless steel - mirror finish rim - satin finish bowls - radius coved bowls corners - mounting kit provided - fully undercoated to reduce condensation and resonance - 89 mm (3-1/2") crumb cup waste assembly with 38 mm (1-1/2") brass tailpiece .

Nominal Dimensions: 514 mm (20-1/4") wide x 464 mm (18-1/4") x 203 mm (8") high

Shipping Weight: 5.0 kg



Note :

Drawing No. : (332548) S4100

Estimated Total:  
CAD \$246.00