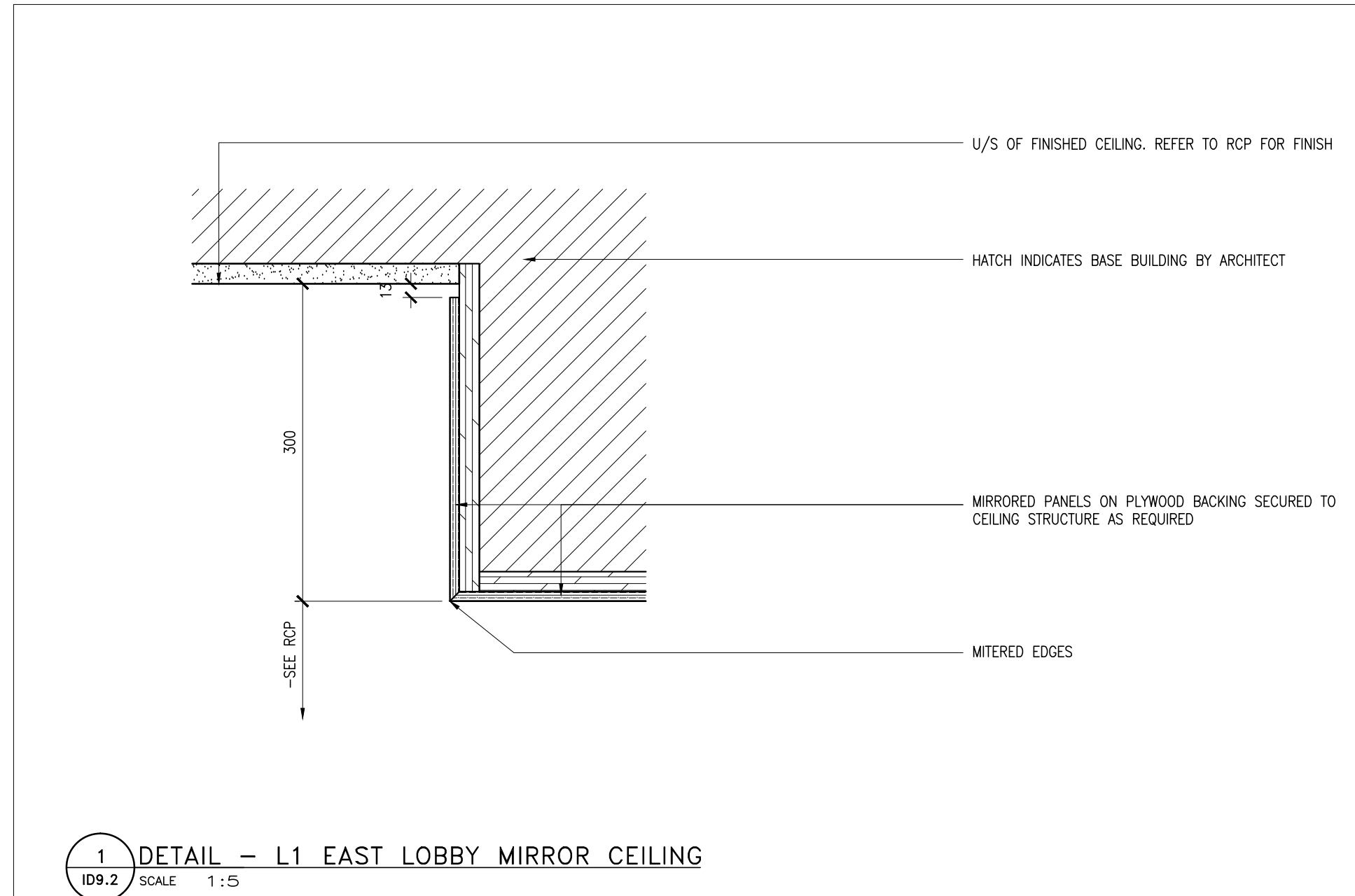


Notes:

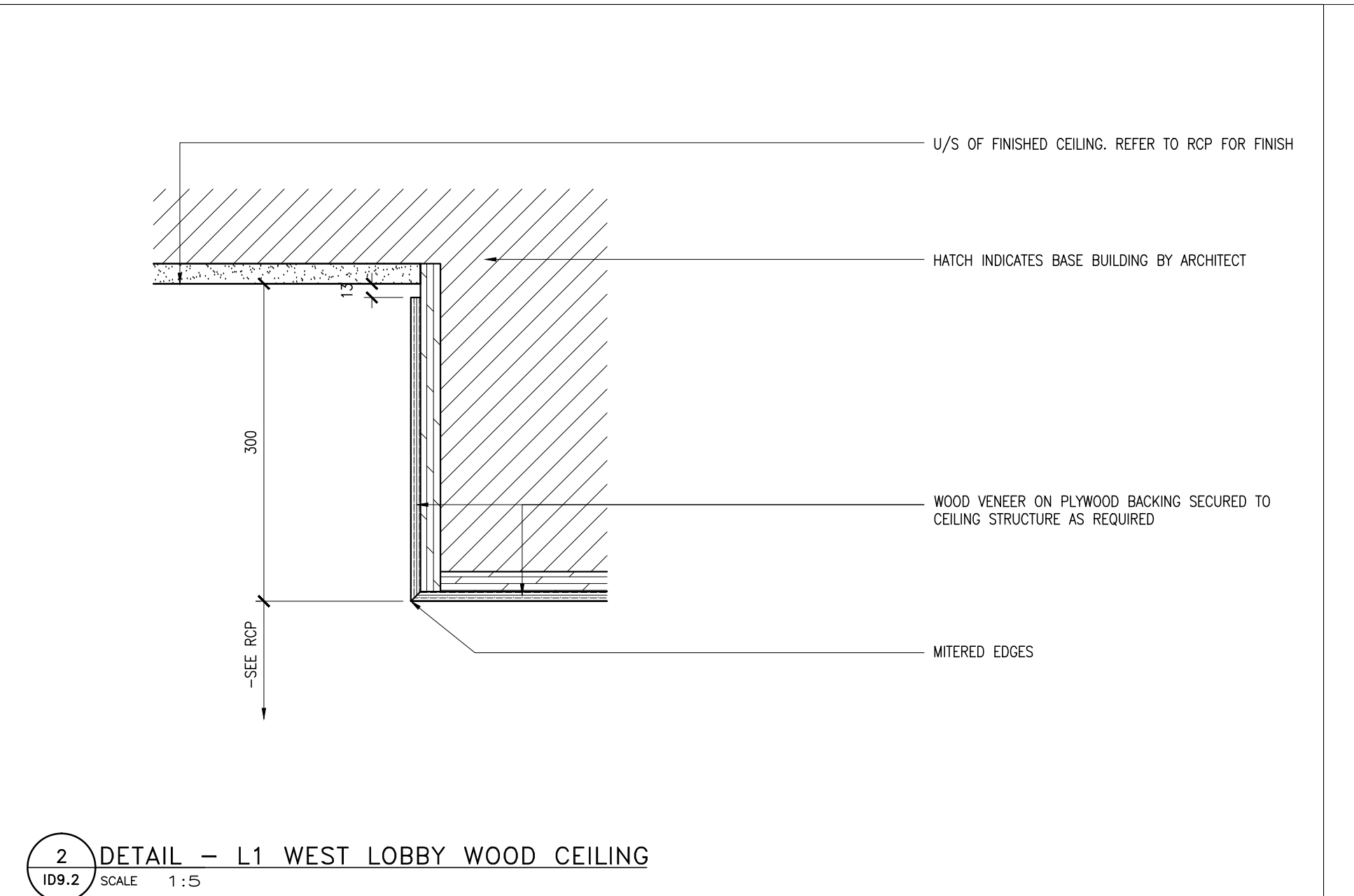
- CONTRACTOR AND ALL SUB-TRADES SHALL VERIFY ALL SITE DIMENSIONS. ALL DRAWINGS, DETAILS AND SPECIFICATIONS AND REPORT ANY DISCREPANCIES TO THE INTERIOR DESIGNER IN WRITING FOR APPROVAL BEFORE PROCEEDING WITH THE WORK.
- CONTRACTOR AND SUB-CONTRACTORS, BEFORE PROCEEDING WITH WORK, MUST SUBMIT ALL NECESSARY SAMPLES FOR APPROVAL OF QUALITY AND FINISH TO THE INTERIOR DESIGNER.
- CONTRACTOR MUST COMPLY WITH THE CONTRACT DOCUMENTS, PERFORMANCE REQUIREMENTS, APPLICABLE CODES AND REGULATIONS.
- ALL DRAWINGS AND WRITTEN MATERIAL HEREIN CONSTITUTE THE ORIGINAL AND UNPUBLISHED WORK OF "IBY DESIGN ASSOCIATES INC." AND MAY NOT BE DUPLICATED, USED OR DISCLOSED WITHOUT PRIOR WRITTEN CONSENT OF "IBY DESIGN ASSOCIATES INC."
- DRAWINGS NOT TO BE SCALED

Issue:

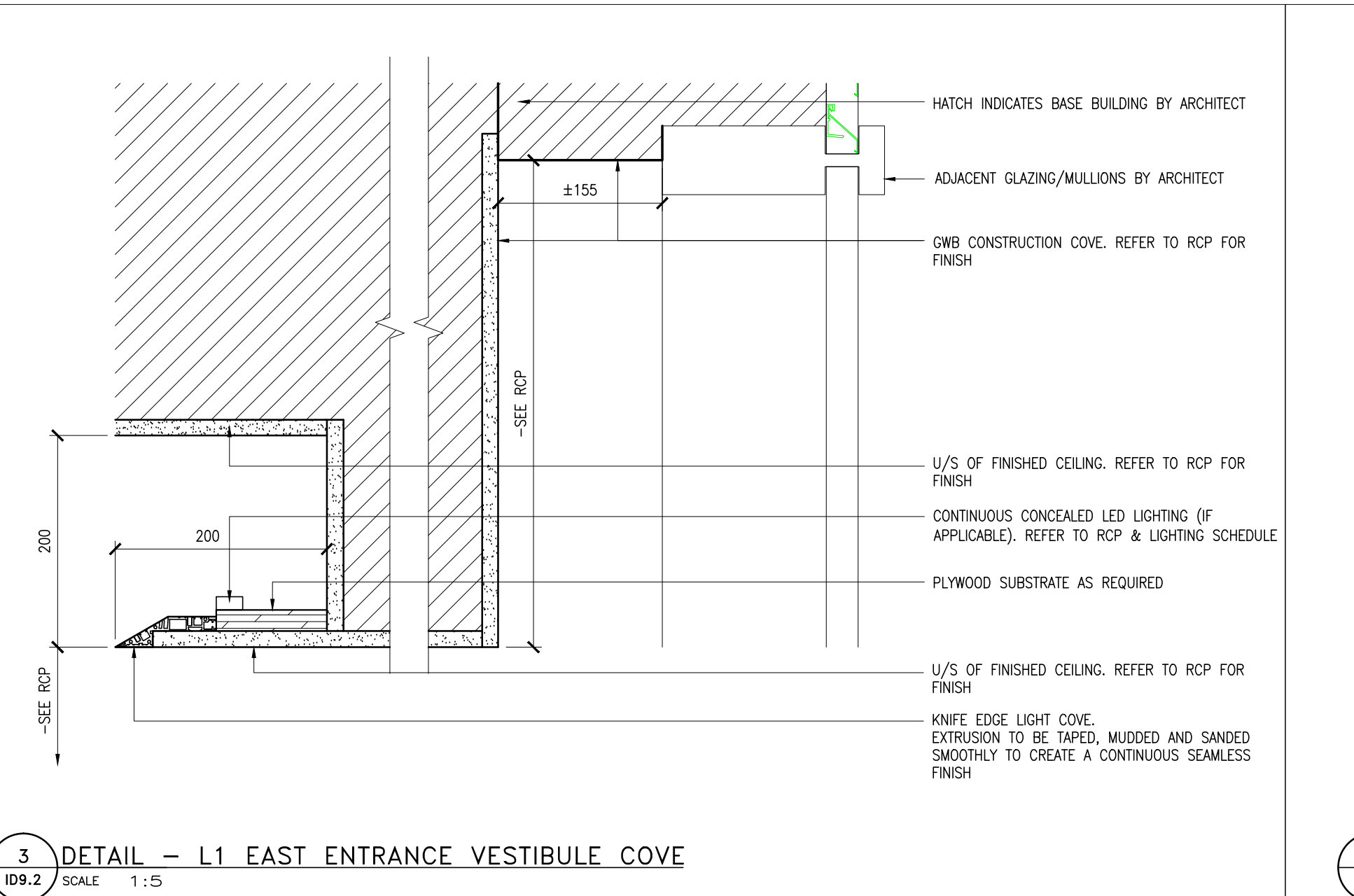
08 ISSUED FOR CLIENT REVIEW	16.01.15
07 ISSUED FOR TENDER	16.03.16
09 ISSUED FOR ADDENDUM	16.09.20
10 ISSUED FOR CONSTRUCTION	17.08.19
13 SITE INSTRUCTION #03	17.11.10
14 SITE INSTRUCTION #04	18.03.07
-	-
-	-
-	-
-	-
-	-
-	-
-	-



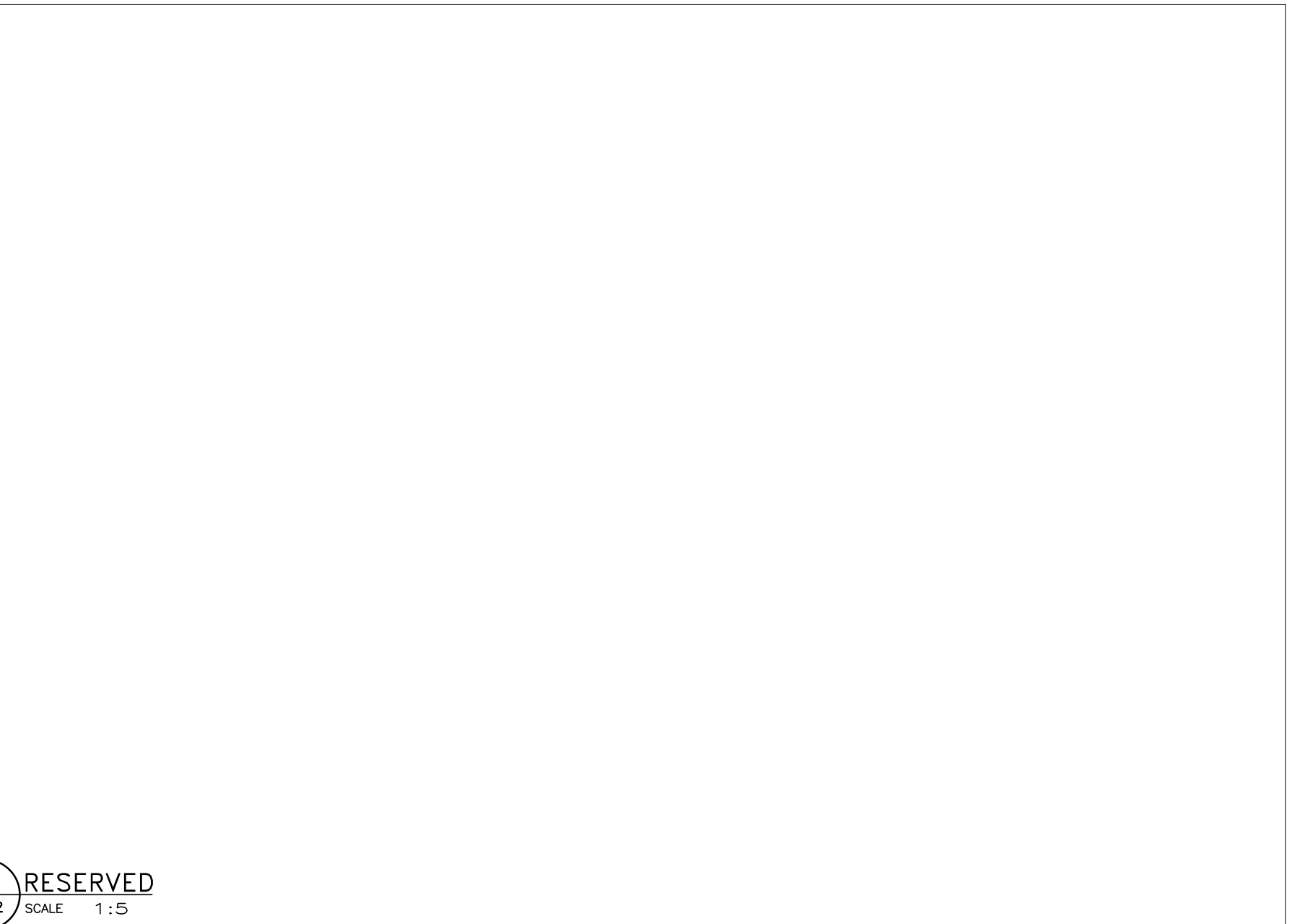
1 DETAIL - L1 EAST LOBBY MIRROR CEILING
SCALE 1:15



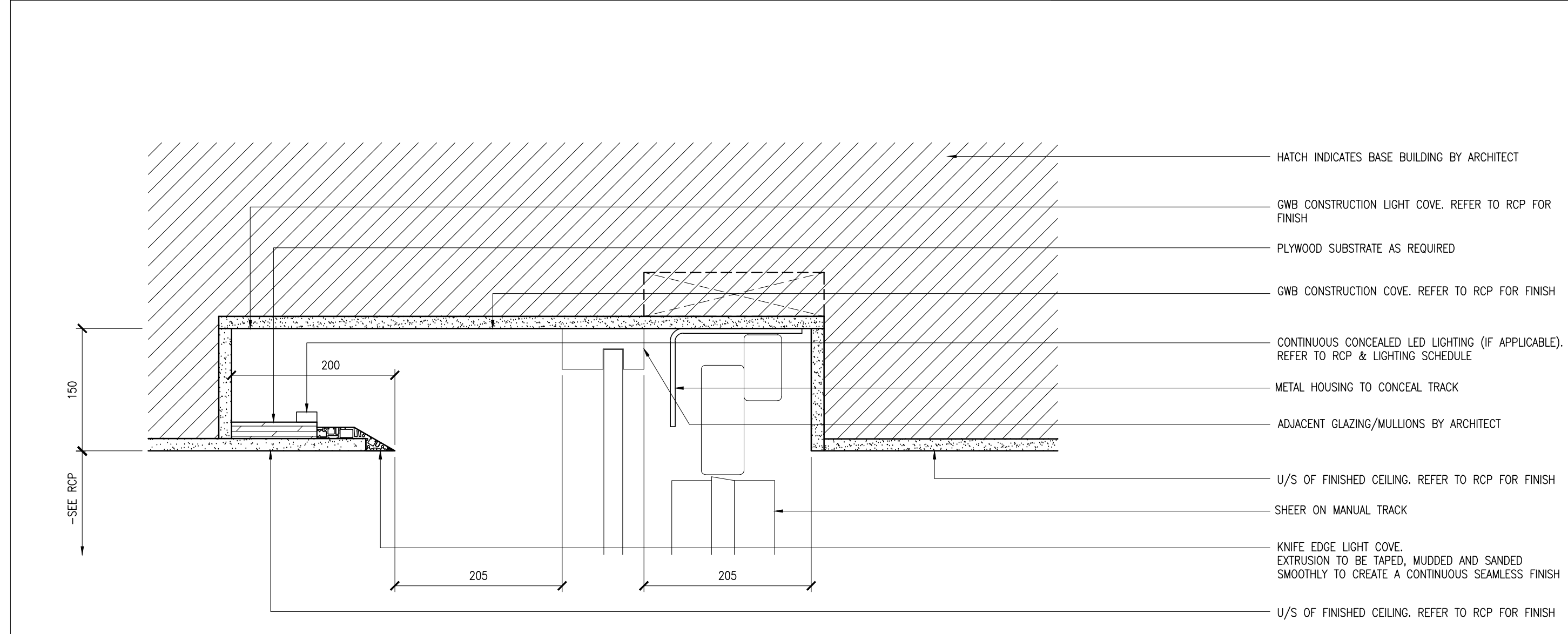
2 DETAIL - L1 WEST LOBBY WOOD CEILING
SCALE 1:15



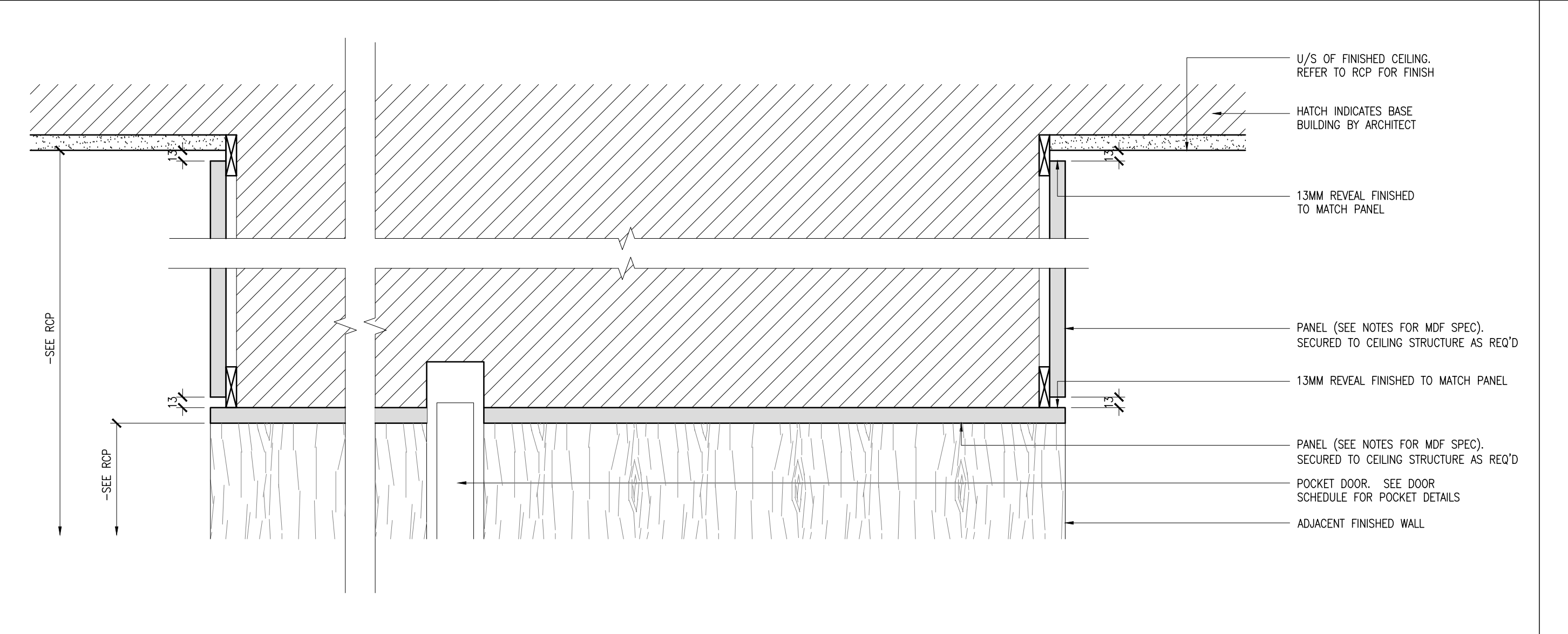
3 DETAIL - L1 EAST ENTRANCE VESTIBULE COVE
SCALE 1:15



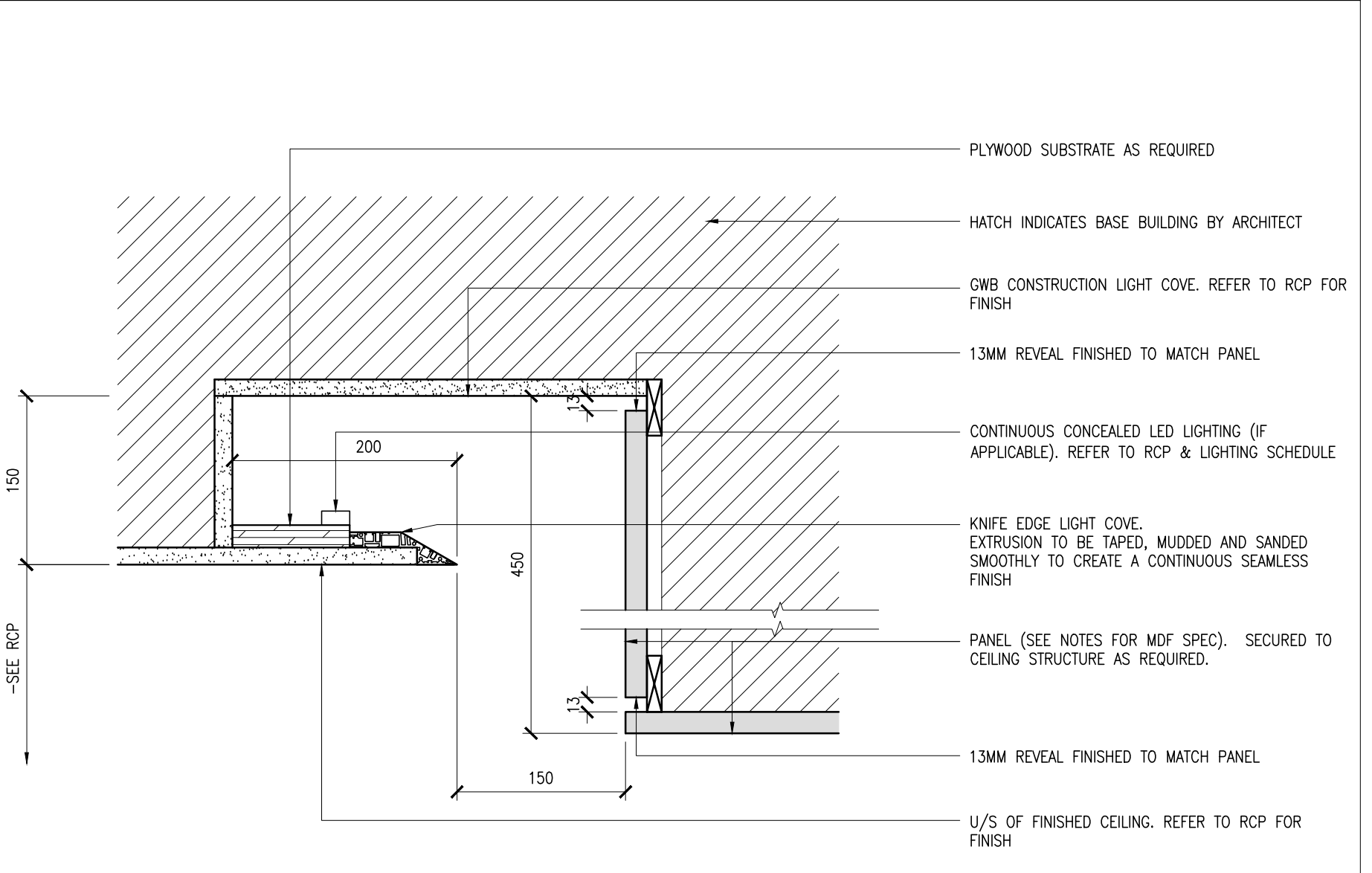
4 RESERVED
SCALE 1:15



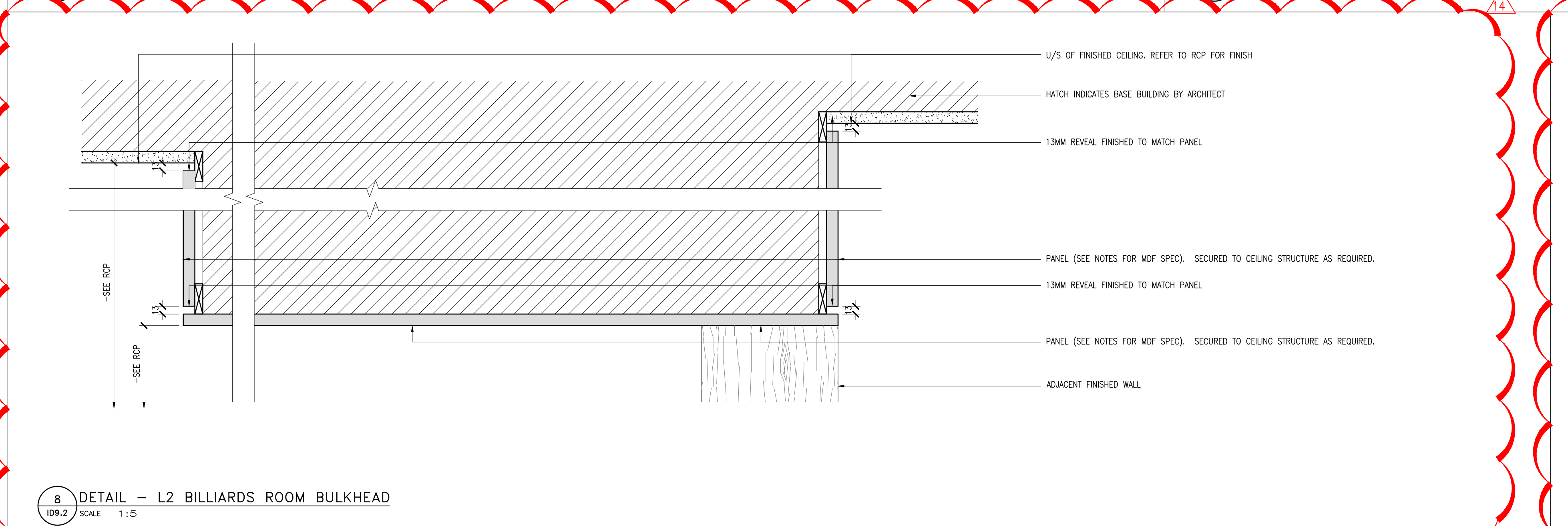
5 DETAIL - L2 NORTH CORRIDOR/LOUNGE AREA COVE AT GLAZING
SCALE 1:15



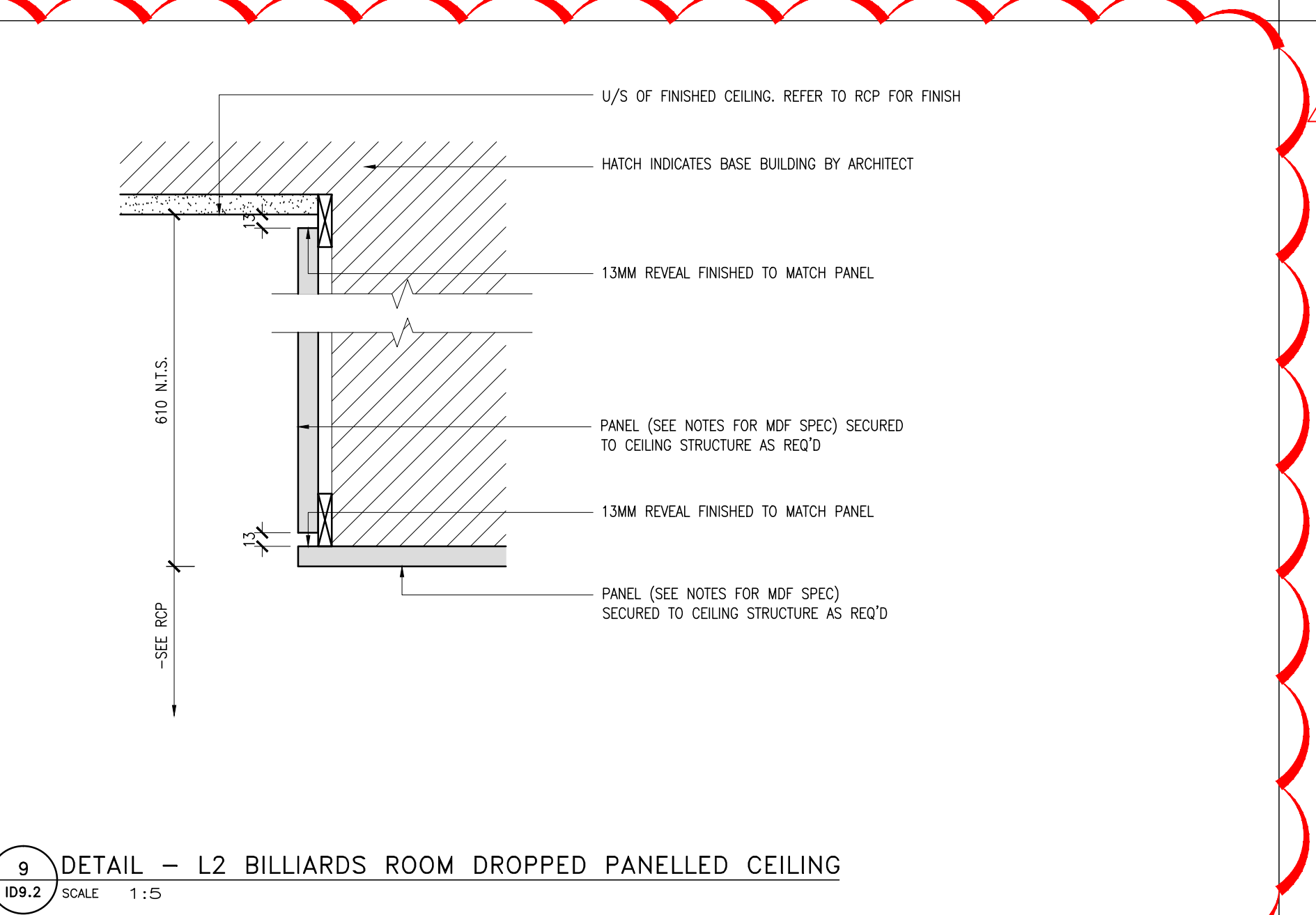
6 DETAIL - L2 LOUNGE AREA TRANSOM ABOVE POCKET DOOR
SCALE 1:15



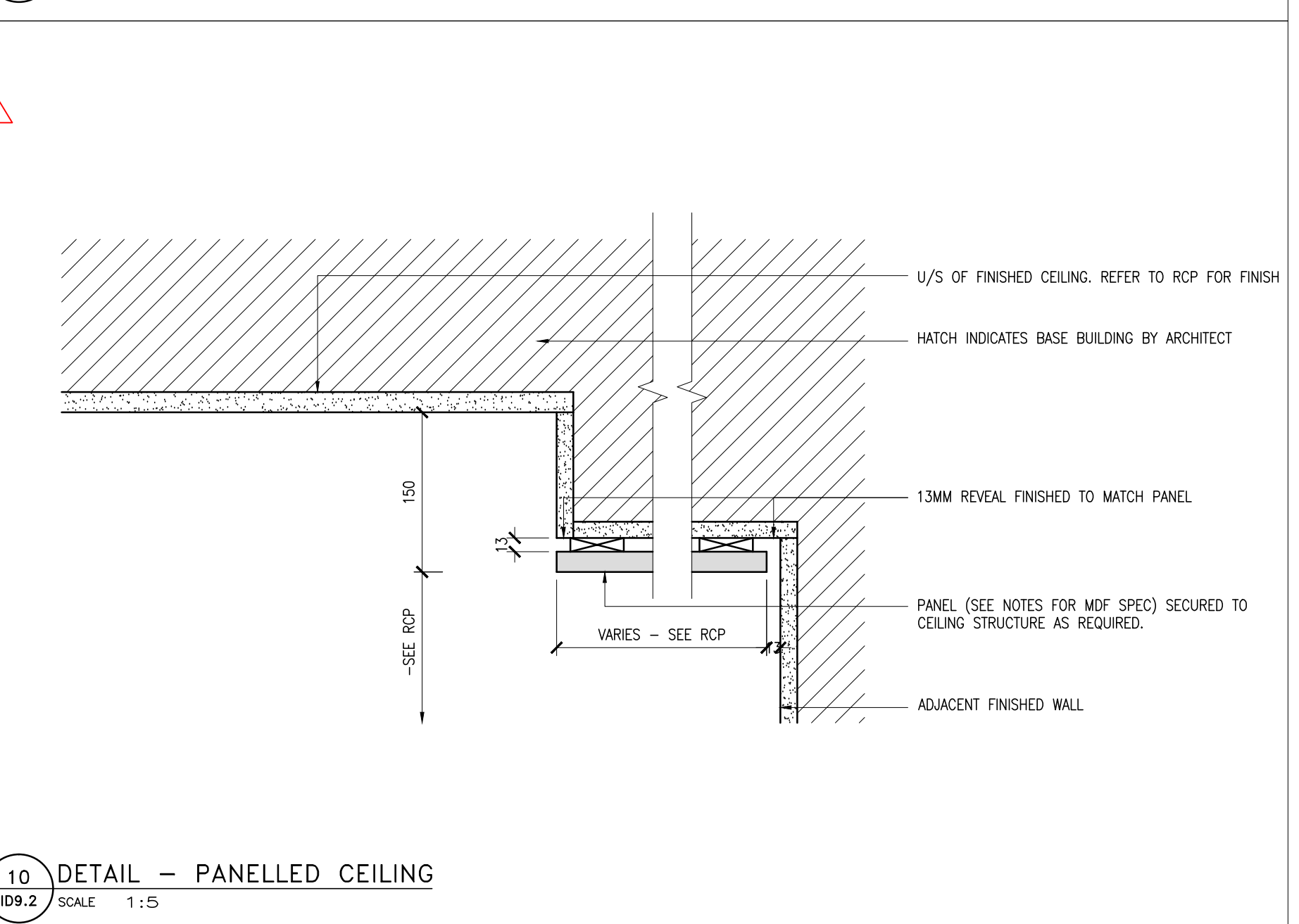
7 DETAIL - COVE AT DROPPED PANELLED CEILING
SCALE 1:15



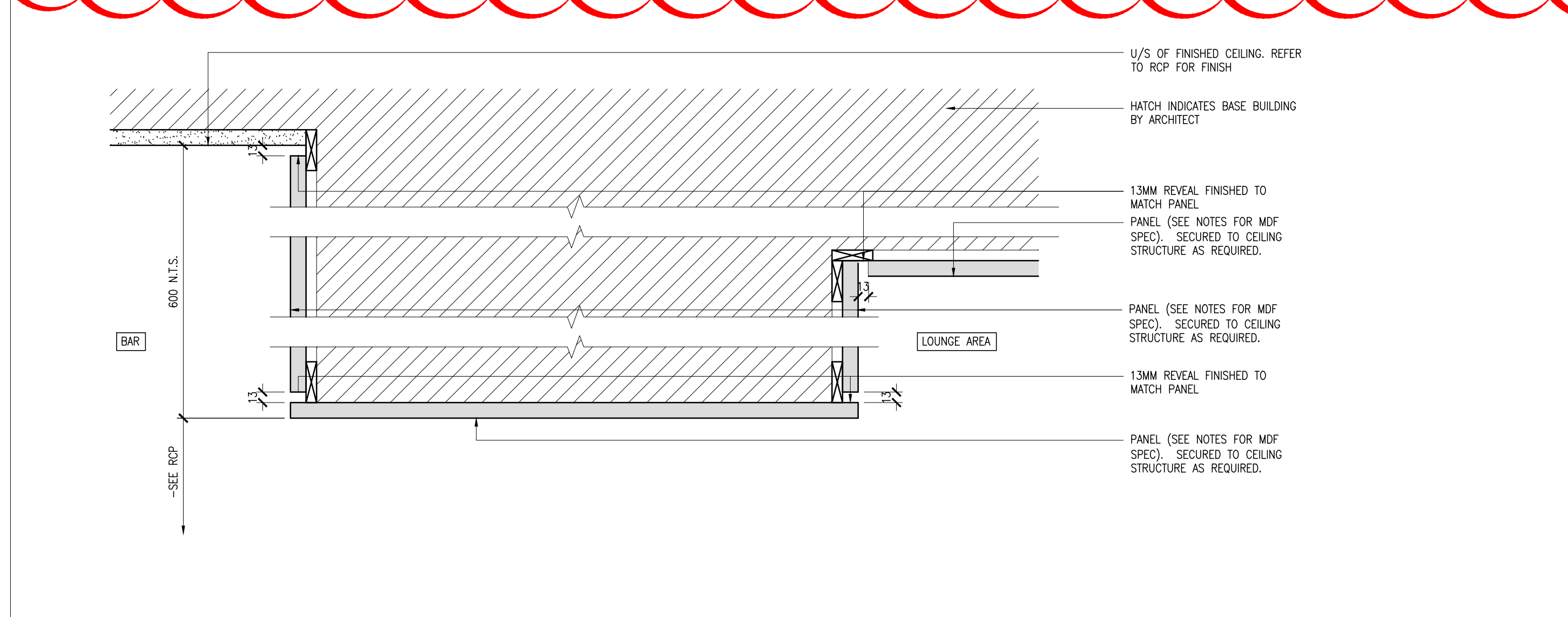
8 DETAIL - L2 BILLIARDS ROOM BULKHEAD
SCALE 1:15



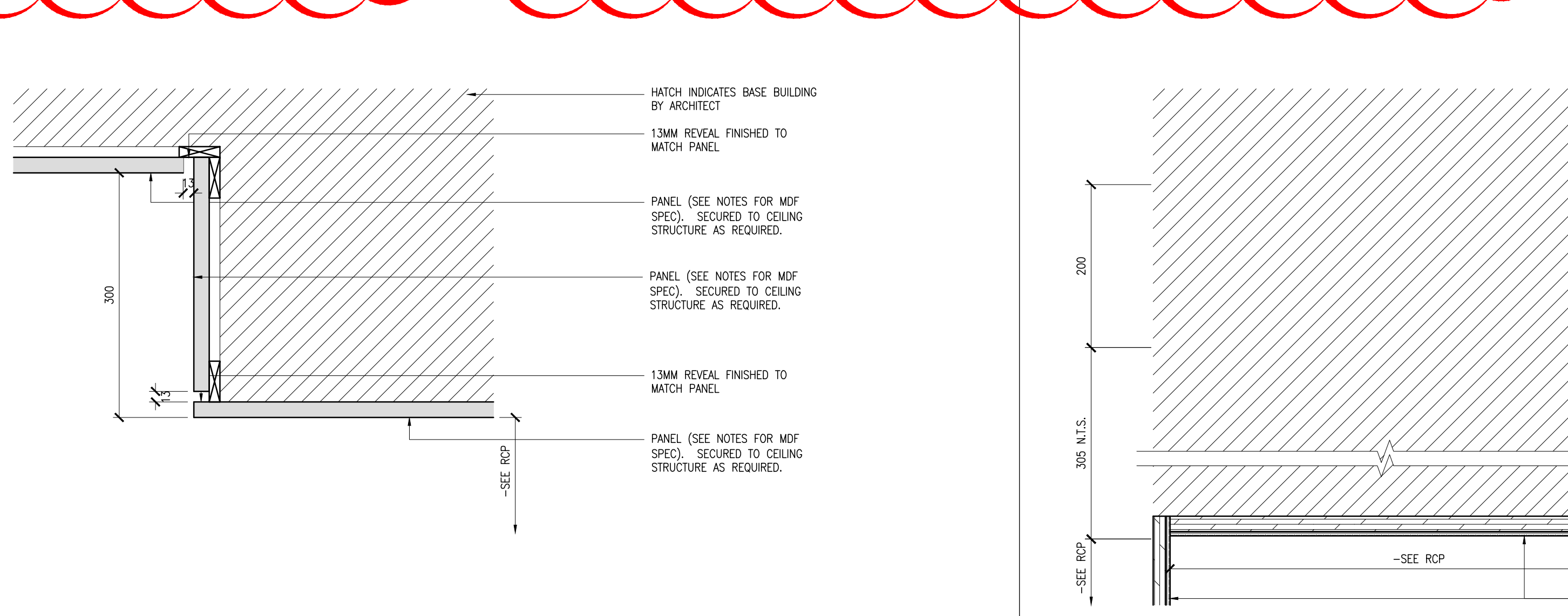
9 DETAIL - L2 BILLIARDS ROOM DROPPED PANELLED CEILING
SCALE 1:15



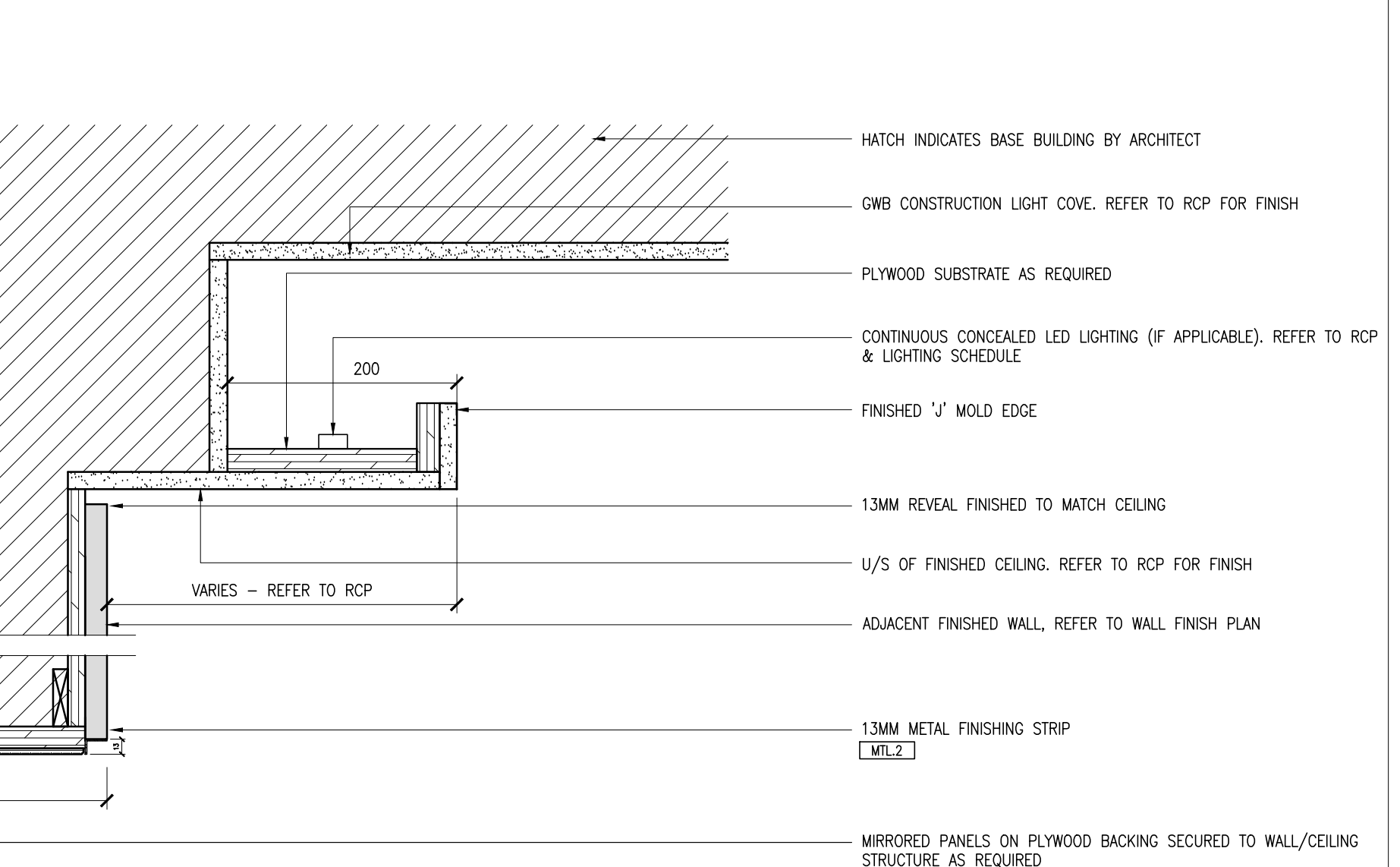
10 DETAIL - PANELLED CEILING
SCALE 1:15



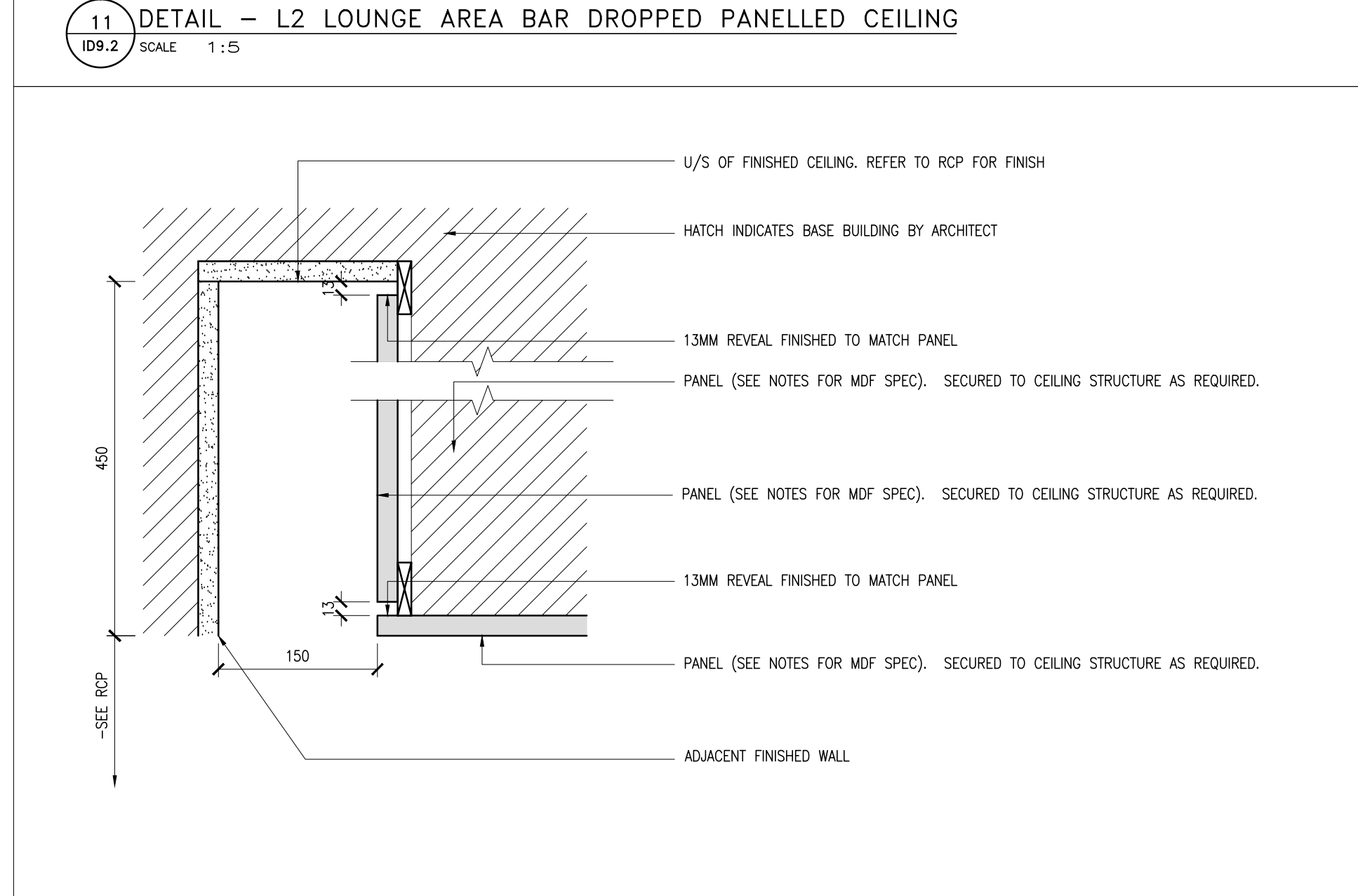
11 DETAIL - L2 LOUNGE AREA BAR DROPPED PANELLED CEILING
SCALE 1:15



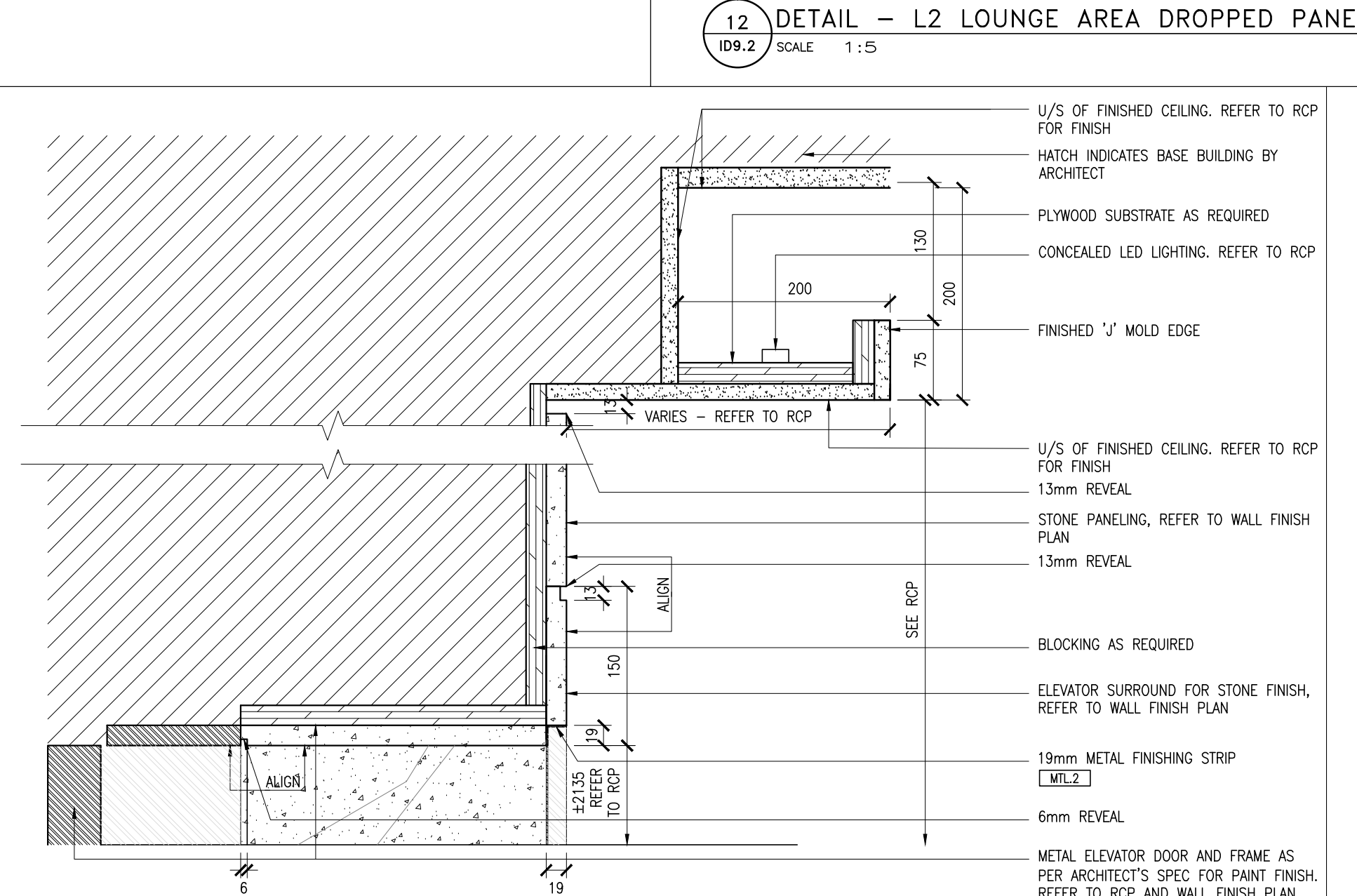
12 DETAIL - L2 LOUNGE AREA DROPPED PANELLED CEILING
SCALE 1:15



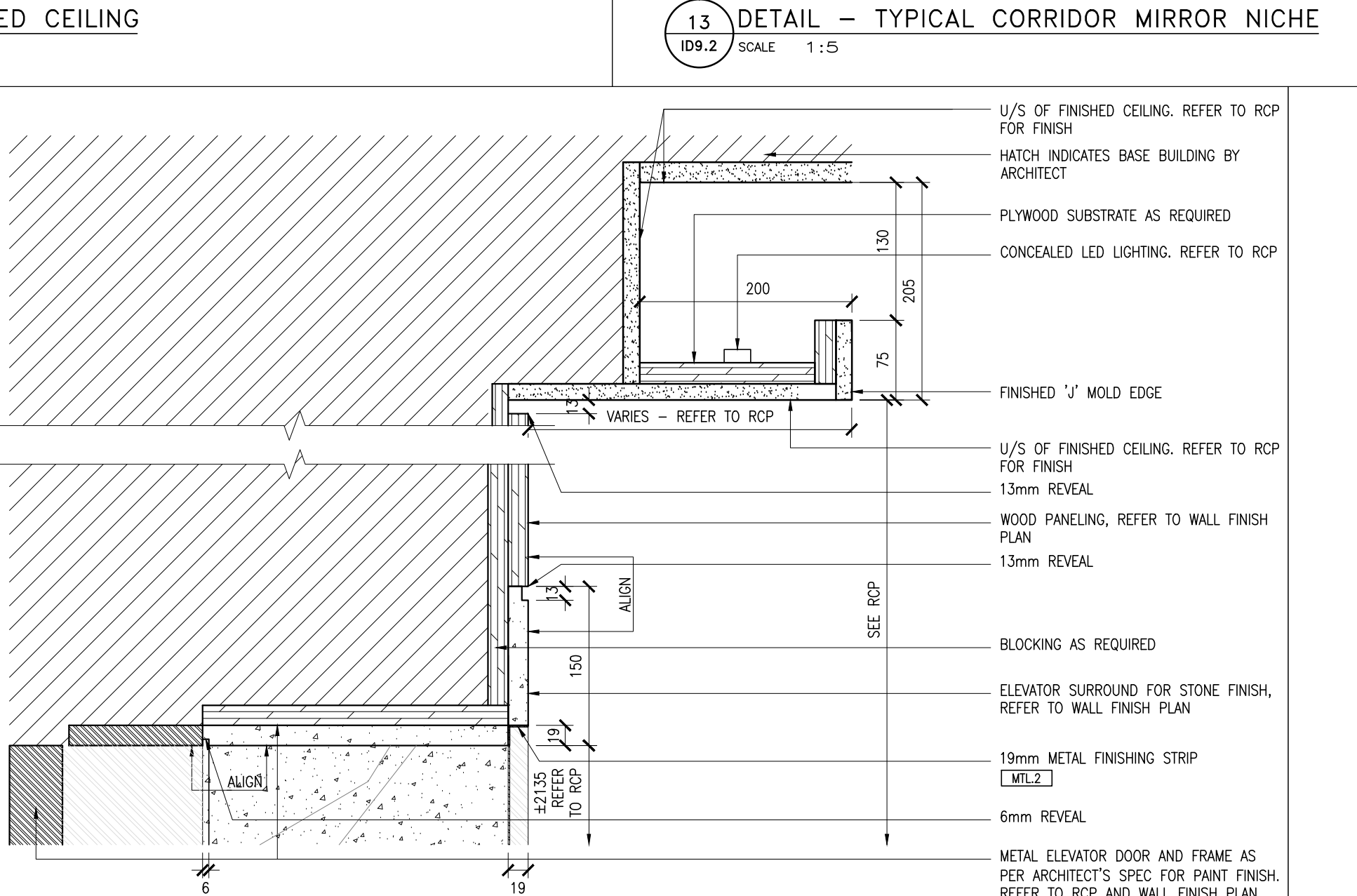
13 DETAIL - TYPICAL CORRIDOR MIRROR NICHE
SCALE 1:15



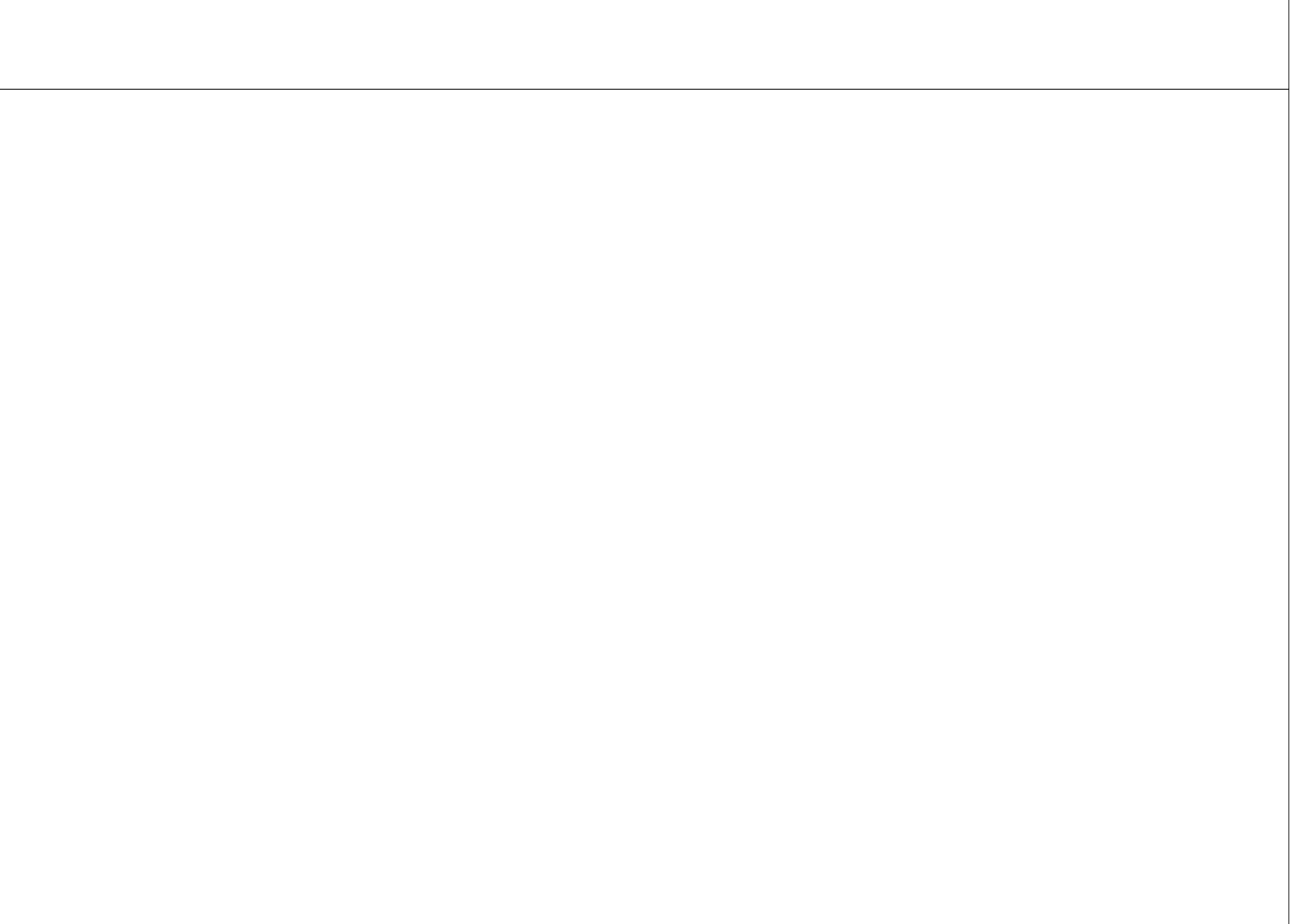
14 DETAIL - L2 LOUNGE AREA DROPPED PANELLED CEILING
SCALE 1:15



15 DETAIL - L2/L12 TYPICAL ELEVATOR LOBBY ELEVATOR STONE SURROUND
SCALE 1:15



16 DETAIL - L3 TO L11 TYPICAL ELEVATOR LOBBY ELEVATOR STONE SURROUND
SCALE 1:15



17 RESERVED
SCALE 1:15

Hines TRIDEL

AQUAVISTA
AT BAYSIDE TORONTO
1 EDEWATER DRIVE, TORONTO ONTARIO

IBY DESIGN
77 MONWAT AVENUE, SUITE 100
TORONTO, ONTARIO M8K 3E3 - CANADA
T + 416 531 2224
12 DESBOROUGH STREET
NEW YORK, NEW YORK 10013 - USA
T + 1 212 382 4962

Drawing Title:
TYPICAL CEILING
DETAILS

Our Project Number:
1400B
Designed By:
DIAJXR-VW-SG
Checked By:
DIAJXR-VW-SG, BP
Drawing Number:

ID9.2