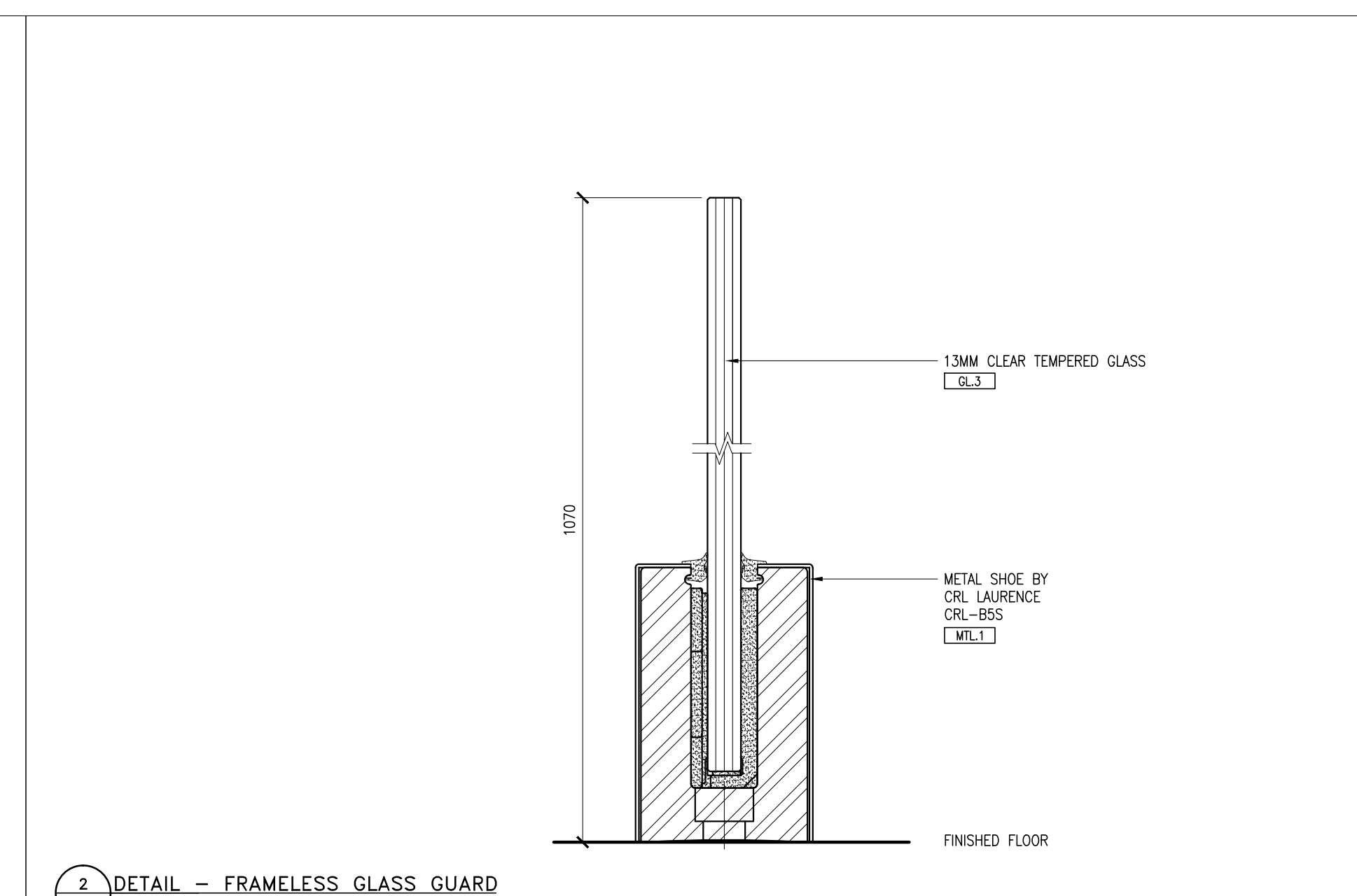
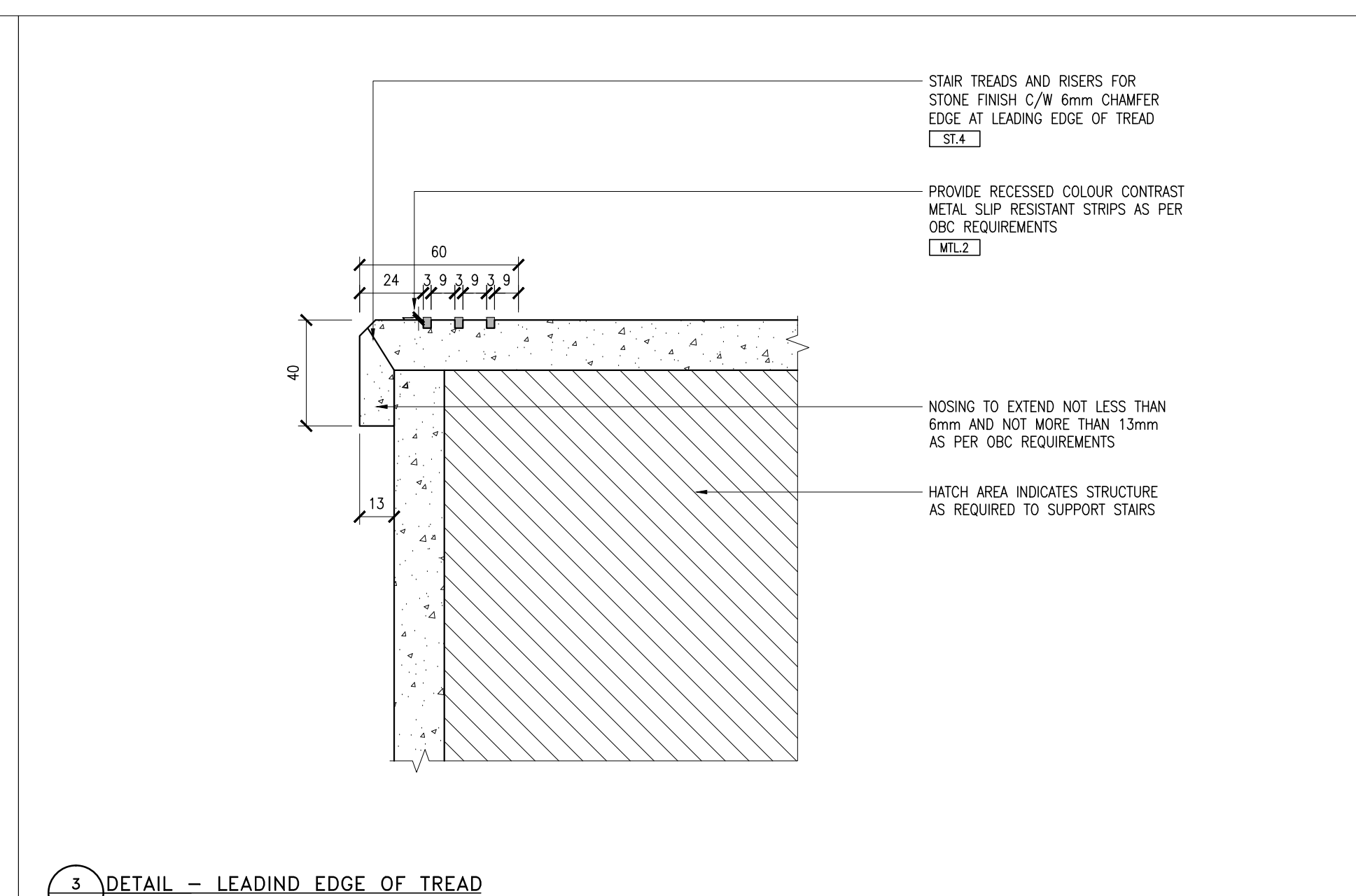


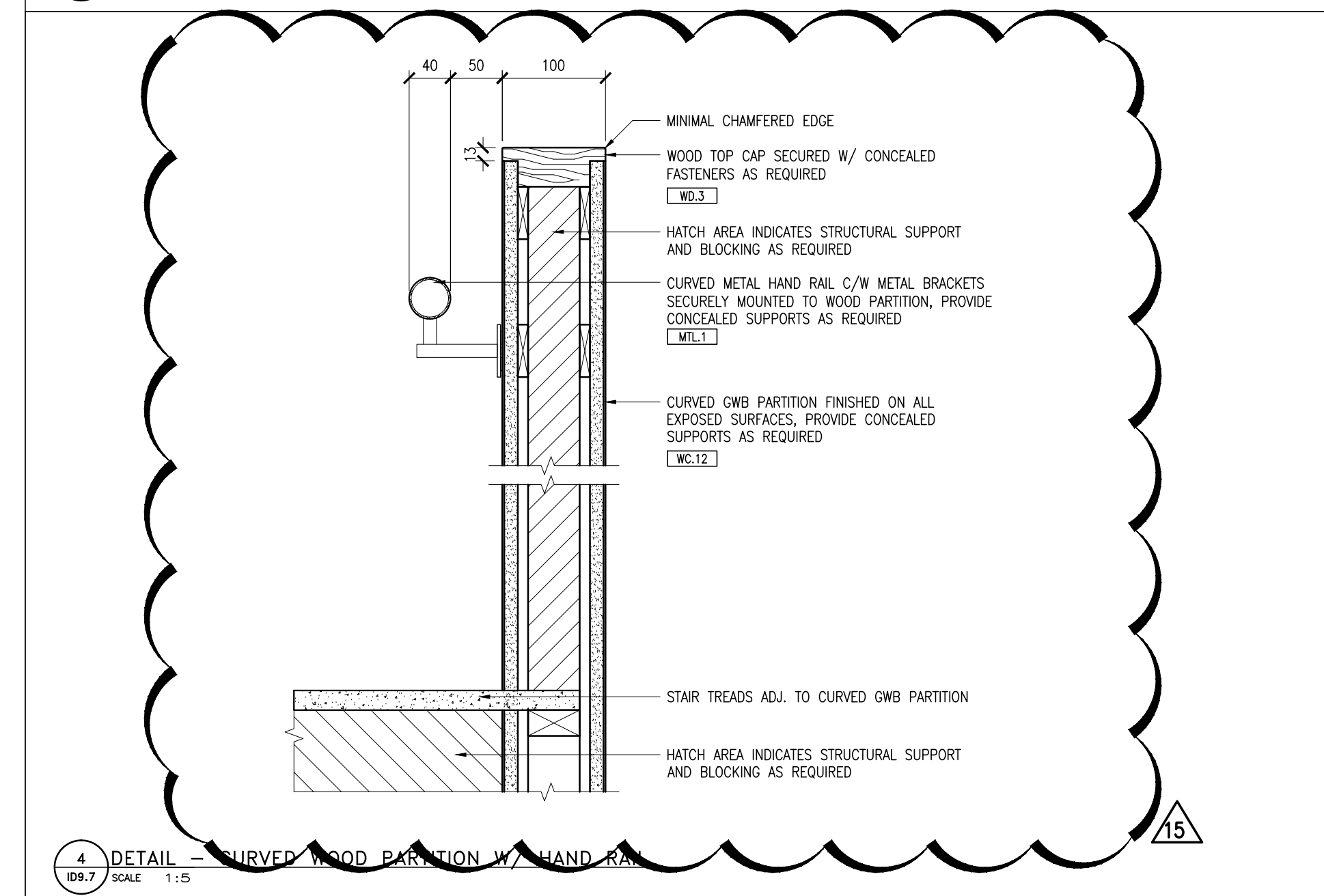
1 SECTION - STAIR 'L' BASE
SCALE 1:10



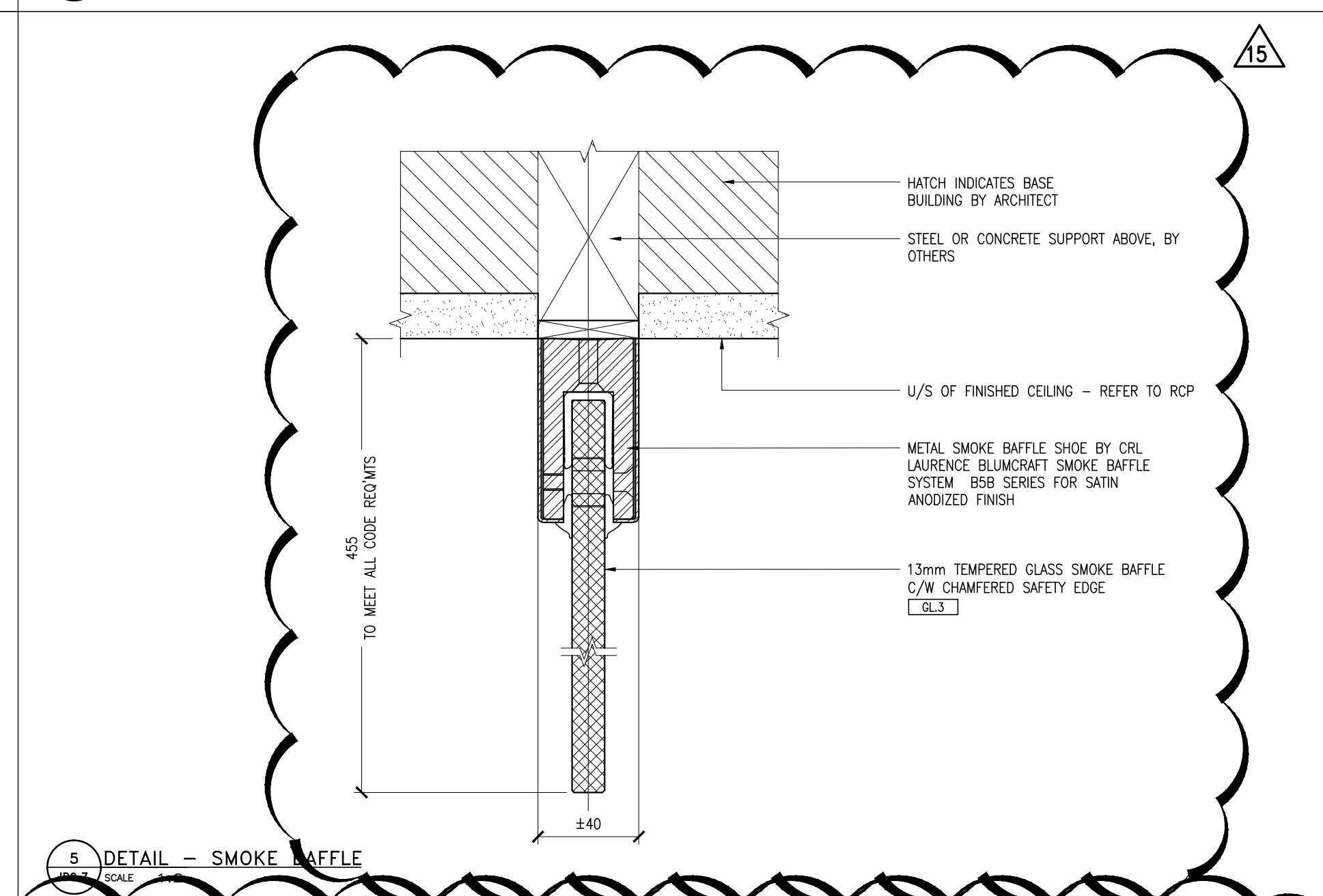
2 DETAIL - FRAMELESS GLASS GUARD
SCALE 1:2



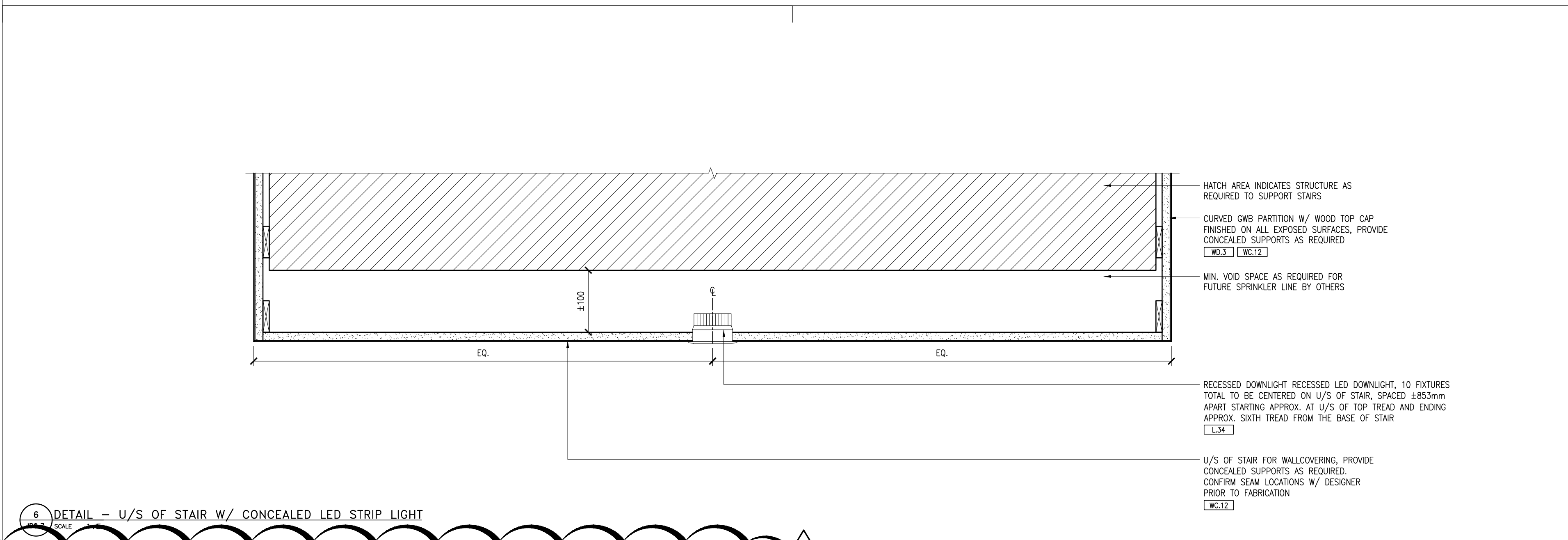
3 DETAIL - LEADING EDGE OF TREAD
SCALE 1:2



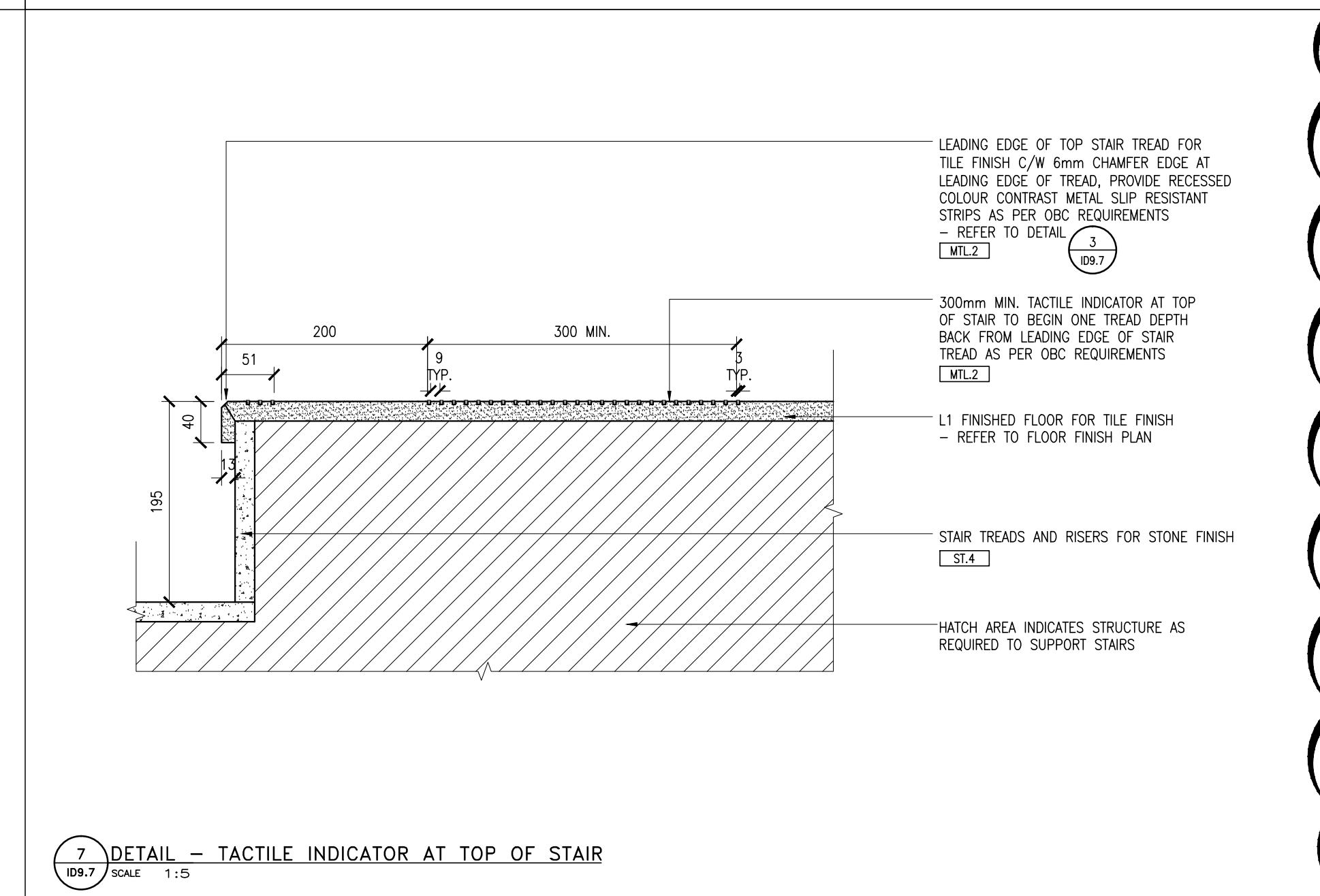
4 DETAIL - CURVED WOOD PARTITION W/ HAND RAIL
SCALE 1:5



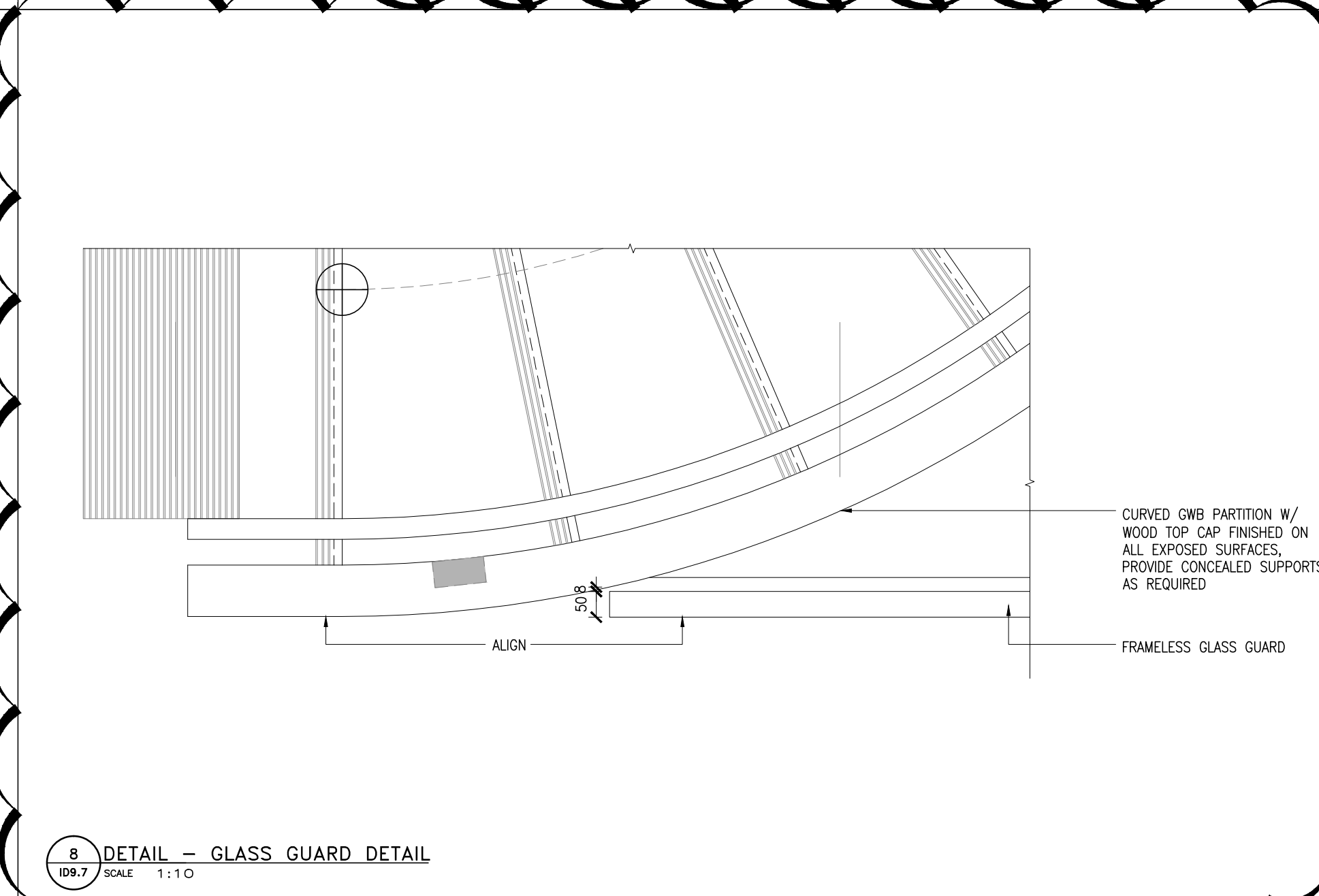
5 DETAIL - SMOKE BAFFLE
SCALE 1:5



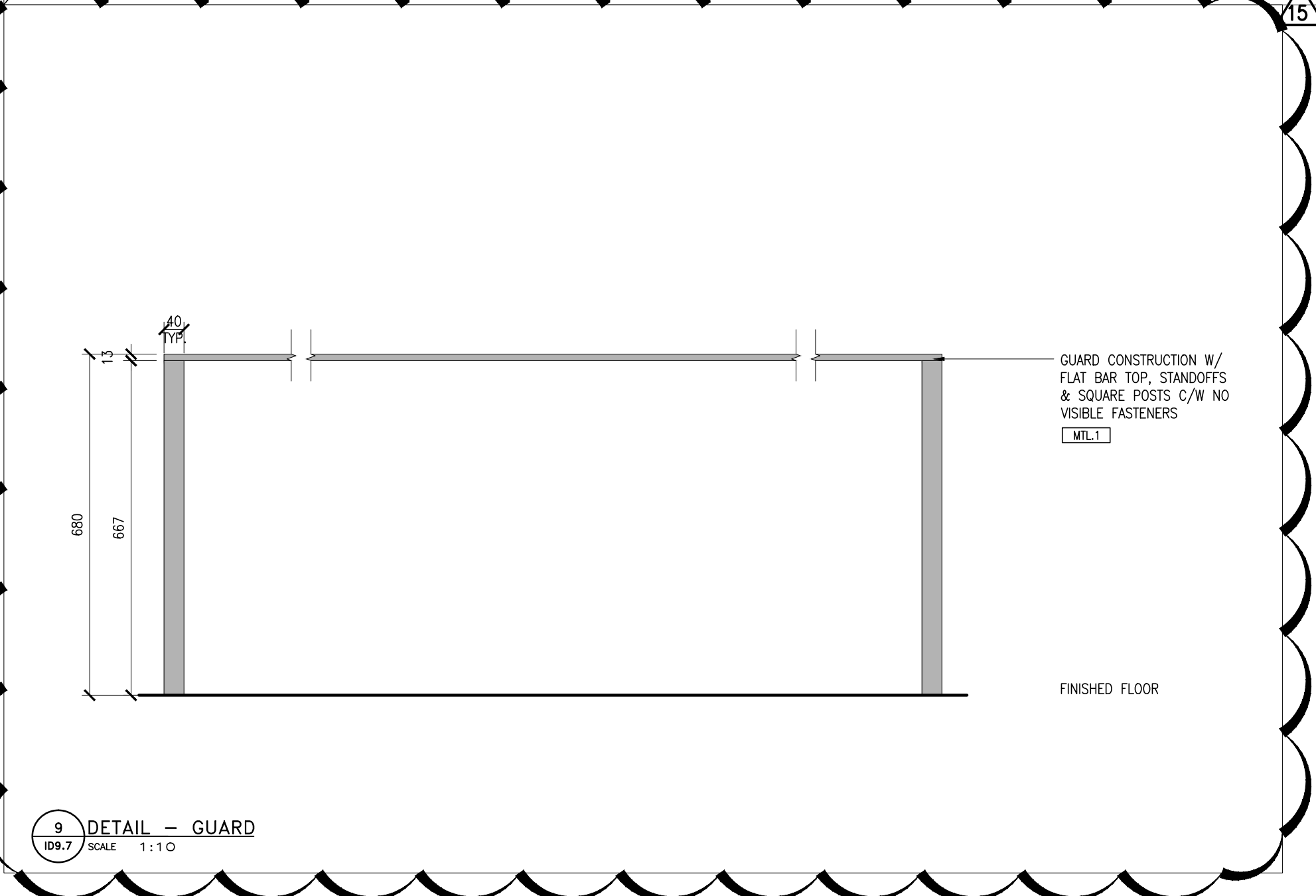
6 DETAIL - U/S OF STAIR W/ CONCEALED LED STRIP LIGHT
SCALE 1:10



7 DETAIL - TACTILE INDICATOR AT TOP OF STAIR
SCALE 1:5



8 DETAIL - GLASS GUARD DETAIL
SCALE 1:10



9 DETAIL - GUARD
SCALE 1:10

Notes:

- CONTRACTOR AND ALL SUB-TRADES SHALL VERIFY ALL SITE DIMENSIONS, ALL DRAWINGS, DETAILS AND SPECIFICATIONS AND REPORT ANY DISCREPANCIES TO THE INTERIOR DESIGNERS IN WRITING FOR APPROVAL BEFORE PROCEEDING WITH THE WORK.
- CONTRACTOR AND SUB-CONTRACTORS, BEFORE PROCEEDING WITH WORK, MUST SUBMIT ALL NECESSARY SAMPLES FOR APPROVAL OF QUALITY AND FINISH TO THE INTERIOR DESIGNER.
- CONTRACTOR MUST COMPLY WITH THE CONTRACT DOCUMENTS, PERFORMANCE REQUIREMENTS, APPLICABLE CODES AND REGULATIONS.
- ALL DRAWINGS AND WRITTEN MATERIAL HEREIN CONSTITUTE THE ORIGINAL AND UNPUBLISHED WORK OF "I BY N" DESIGN ASSOCIATES INC., AND MAY NOT BE DUPLICATED, USED OR DISCLOSED WITHOUT PRIOR WRITTEN CONSENT OF "I BY N" DESIGN ASSOCIATES INC.
- DRAWINGS NOT TO BE SCALED.

Issue:

07 ISSUED FOR TENDER	16.03.18
10 ISSUED FOR CONSTRUCTION	17.06.19
13 SITE INSTRUCTION #03	17.11.10
15 SITE INSTRUCTION #05	18.04.05
-	-
-	-
-	-
-	-
-	-
-	-
-	-
-	-

Hines TRIDEL

AQUAVISTA
AT BAYSIDE TORONTO
1 EDGEWATER DRIVE, TORONTO ONTARIO

I BY N
DESIGN

77 MOWAT AVENUE, SUITE 109
TORONTO, ONTARIO M6K 3E3 - CANADA
T + 1 416 593 2204
12 DENBOSSES STREET
NEW YORK, NEW YORK 10013 - USA
T + 1 212 262 4952

Drawing Title:
STAIR DETAILS

Our Project Number:
14038

Designed By: DM, KR, VV, SG
Detailed By: DM, KR, VV, SG, BP, KCM

Drawing Number:

ID9.7