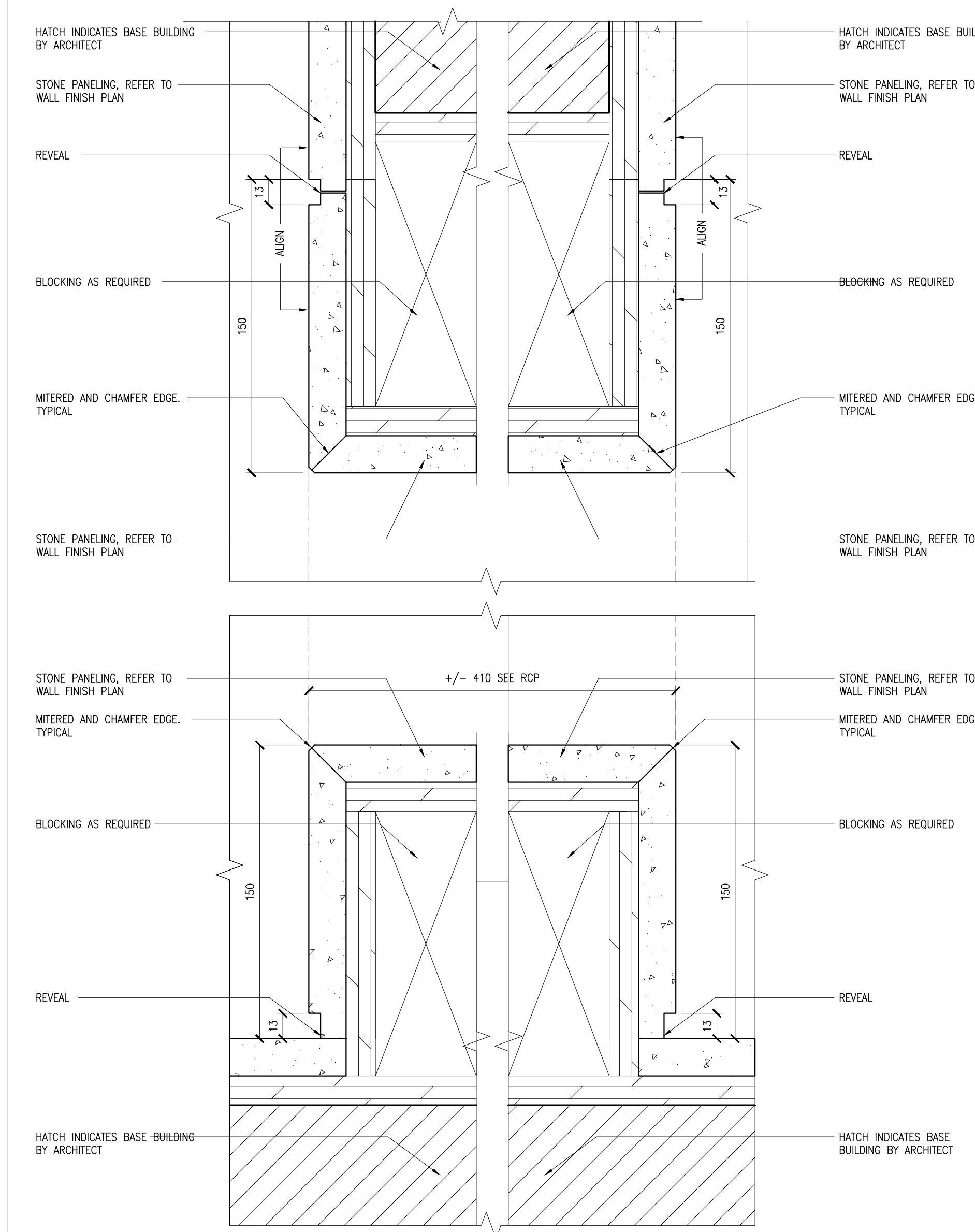
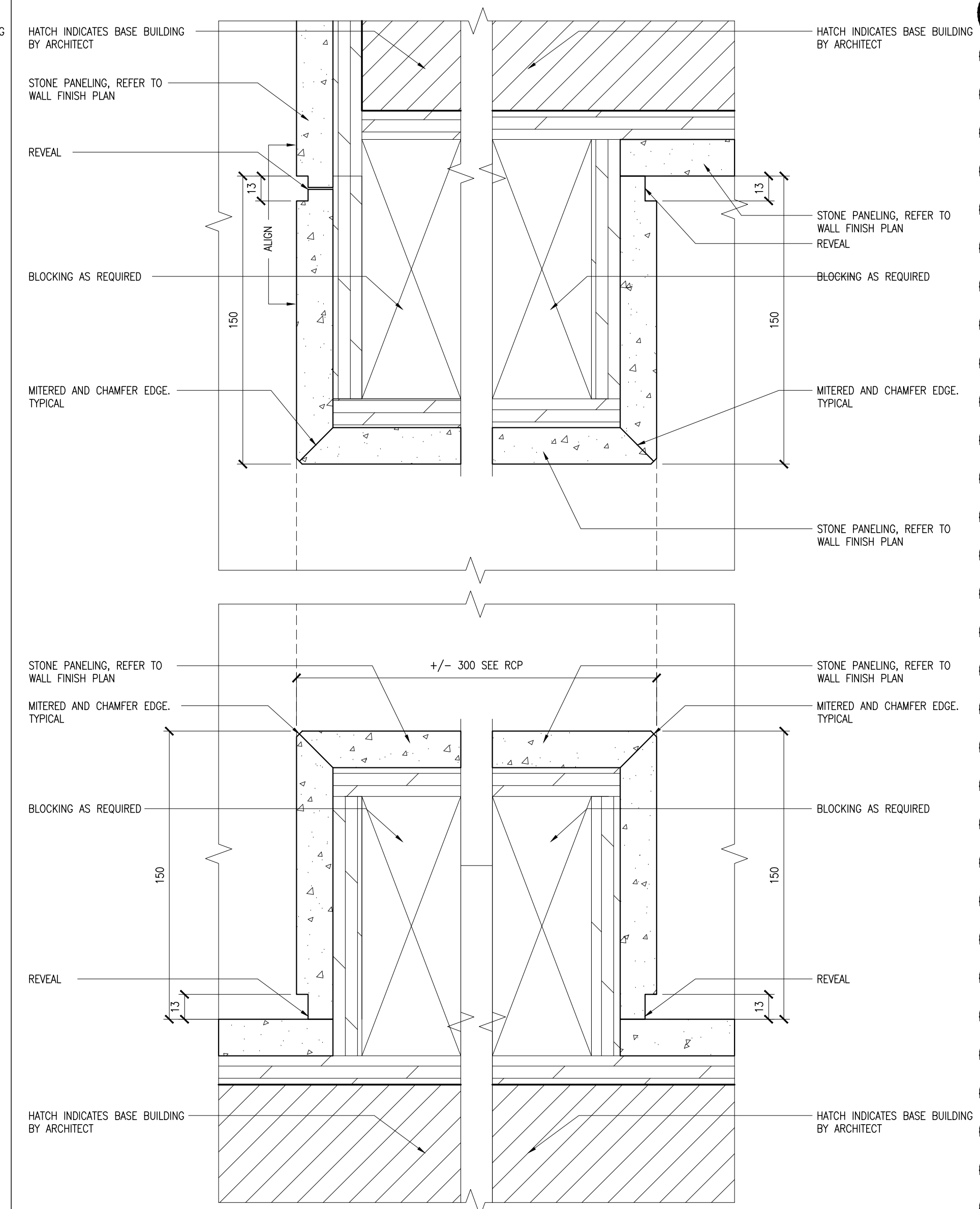


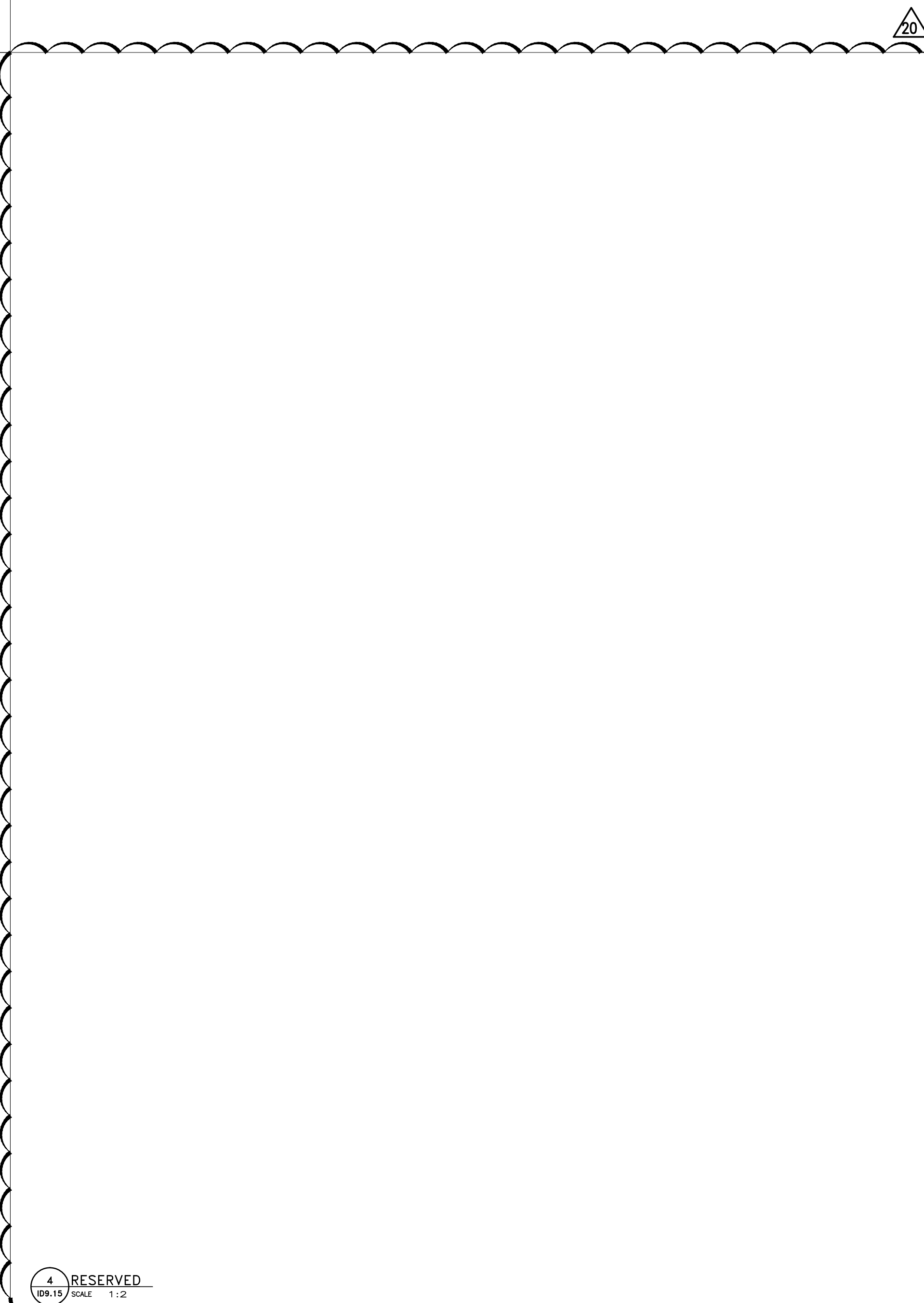
1 DETAIL - L1 PORTAL OPENING AT WEST ELEVATOR LOBBY
REV.15 SCALE 1:2



2 DETAIL - L1 PORTAL OPENING AT MAIL PICK-UP
REV.15 SCALE 1:2



3 DETAIL - L1 PORTAL OPENING AT WEST ELEVATOR LOBBY
REV.15 SCALE 1:2



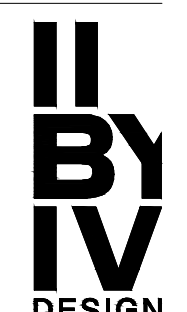
4 RESERVED
REV.15 SCALE 1:2

- Notes:**
- CONTRACTOR AND ALL SUB-TRADES SHALL VERIFY ALL SITE DIMENSIONS. ALL DRAWINGS, DETAILS AND SPECIFICATIONS AND REPORT ANY DISCREPANCIES TO THE INTERIOR DESIGNER IN WRITING FOR APPROVAL BEFORE PROCEEDING WITH THE WORK.
 - CONTRACTOR AND SUB-CONTRACTORS, BEFORE PROCEEDING WITH WORK, MUST SUBMIT ALL NECESSARY SAMPLES FOR APPROVAL OF QUALITY AND FINISH TO THE INTERIOR DESIGNER.
 - CONTRACTOR MUST COMPLY WITH THE CONTRACT DOCUMENTS, PERFORMANCE REQUIREMENTS, APPLICABLE CODES AND REGULATIONS.
 - ALL DRAWINGS AND WRITTEN MATERIAL HEREIN CONSTITUTES THE ORIGINAL AND UNPUBLISHED WORK OF "I BY IV DESIGN ASSOCIATES INC." AND MAY NOT BE DUPLICATED, USED OR DISCLOSED WITHOUT PRIOR WRITTEN CONSENT OF "I BY IV DESIGN ASSOCIATES INC."
 - DRAWINGS NOT TO BE SCALED
- Issue:**
- | | |
|-----------------------------|----------|
| 01 ISSUED FOR CLIENT REVIEW | 16.01.15 |
| 07 ISSUED FOR TENDER | 16.03.15 |
| 10 ISSUED FOR CONSTRUCTION | 17.06.19 |
| 20 SITE INSTRUCTION #10 | 18.08.02 |
| - | - |
| - | - |
| - | - |
| - | - |
| - | - |
| - | - |
| - | - |
| - | - |

Hines TRIDEL

AQUAVISTA
AT BAYSIDE TORONTO
1 EDGEWATER DRIVE, TORONTO ONTARIO

77 MOWAT AVENUE, SUITE 100
TORONTO, ONTARIO M5K 3G3 - CANADA
T + 1 416 531 2224
12 DEBORCHES STREET
NEW YORK, NEW YORK 10013 - USA
T + 1 212 302 4952



Drawing Title:
**L1 STONE PORTAL
DETAILS**

Our Project Number:
14008
Designed By: DMJ/R, VVJ/SJ
Detailed By: DMJ/R, VVJ/SJ, BP/AO
Drawing Number:

ID9.15