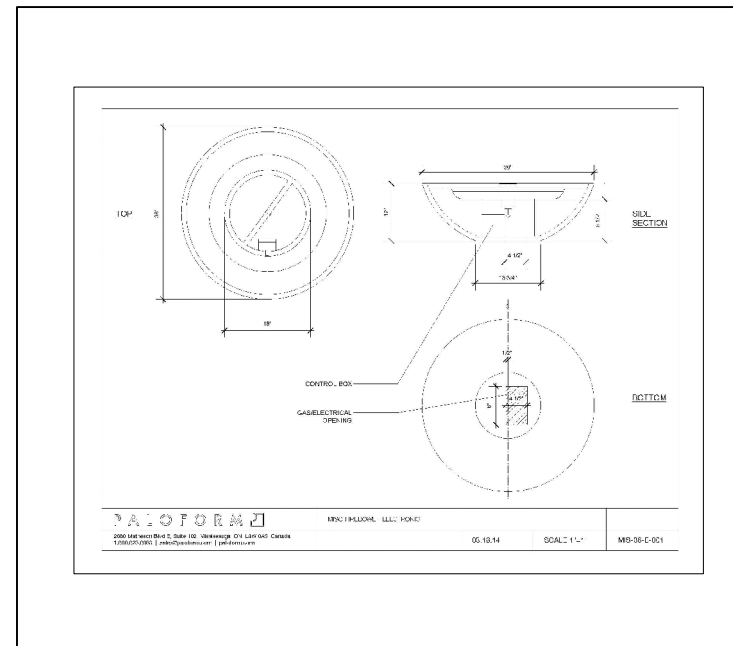
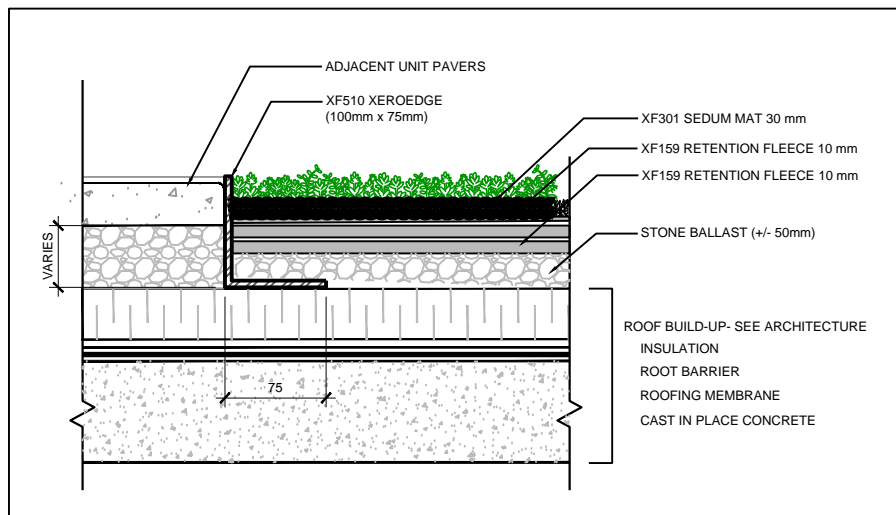


1 PRIVACY SCREEN FOR PRIVATE TERRACES  
SCALE: 1 : 20



2 MISO FIREBOWL BY PALOFORM  
SCALE: 1 : 20



3 XERO FLOOR XF 301 SEDUM STANDARD BORDERED BY PATIO PAVERS  
SCALE: 1 : 10

Contractor Must Check And Verify All Dimensions On The Job.  
Do Not Scale The Drawings.  
All Drawings, Specifications And Related Documents Are The Copyright Of The Architect And Must Be Returned Upon Request.  
Reproduction Of Drawings, Specifications And Related Documents In Part Or Whole Is Forbidden Without The Architects Written Permission.  
This Drawing Is Not To Be Used For Construction Until Signed By The Architect.  
Date:

**KIRKOR** | architects & planners  
20 Martin Ross Avenue, Toronto, ON M3J 2K8  
T(416) 665-6060, F(416) 665-1234  
www.kirkorarchitects.com

Janet Rosenberg & Studio  
Landscape Architecture and Urban Design  
1 416 658 5665 • 416 658 5756 • www.jrstudio.ca  
148 Kenwood Avenue, Toronto Ontario M5C 2S3 Canada

No.:	Revision	Date
1.	Issued for Site Plan Approval to WT	15.01.30



Drawing Title

Landscape Details

Project

**Hines TRIDEL**

Aquavista

BAYSIDE, TORONTO  
Scale

NTS

Drawn by

CP

Checked by

RB

Project No.

14-117

Date

06/03/14

Drawing No.

L-503

