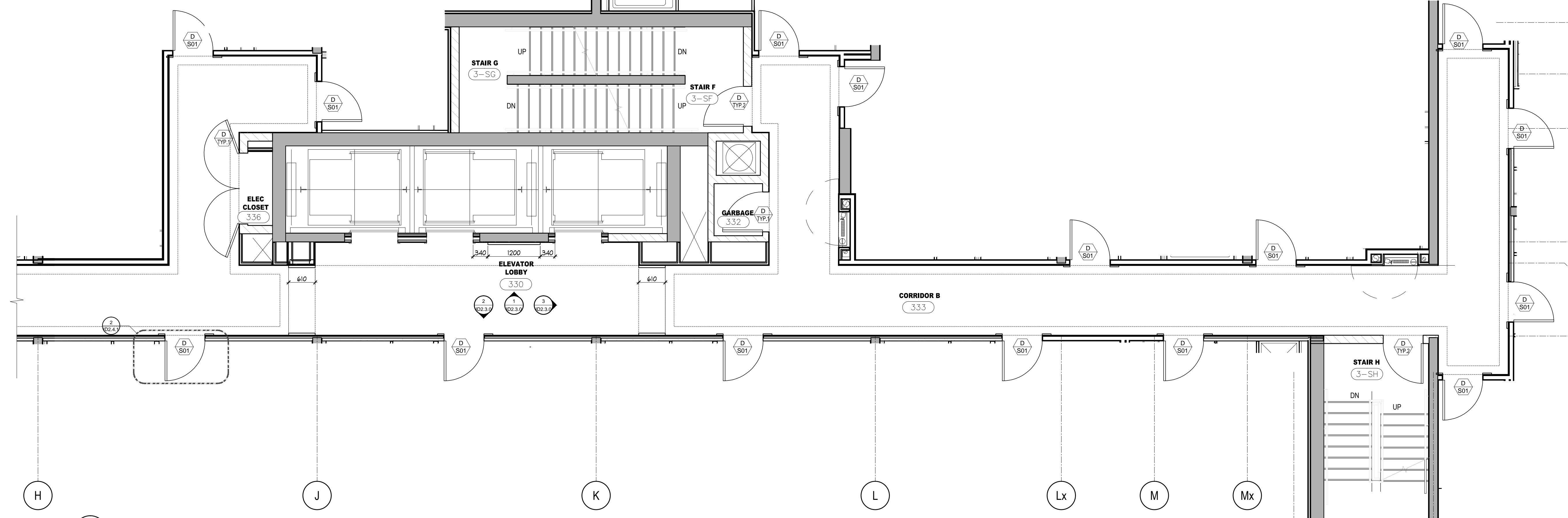
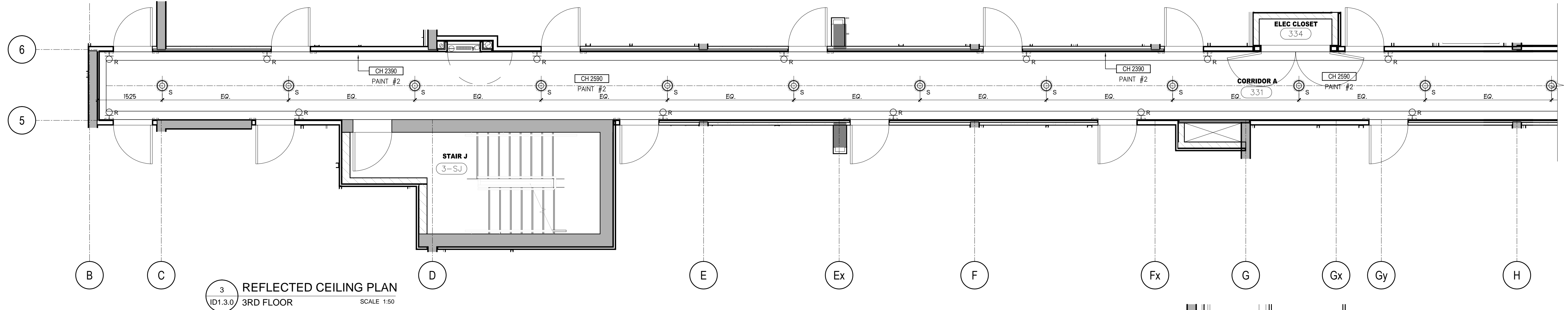


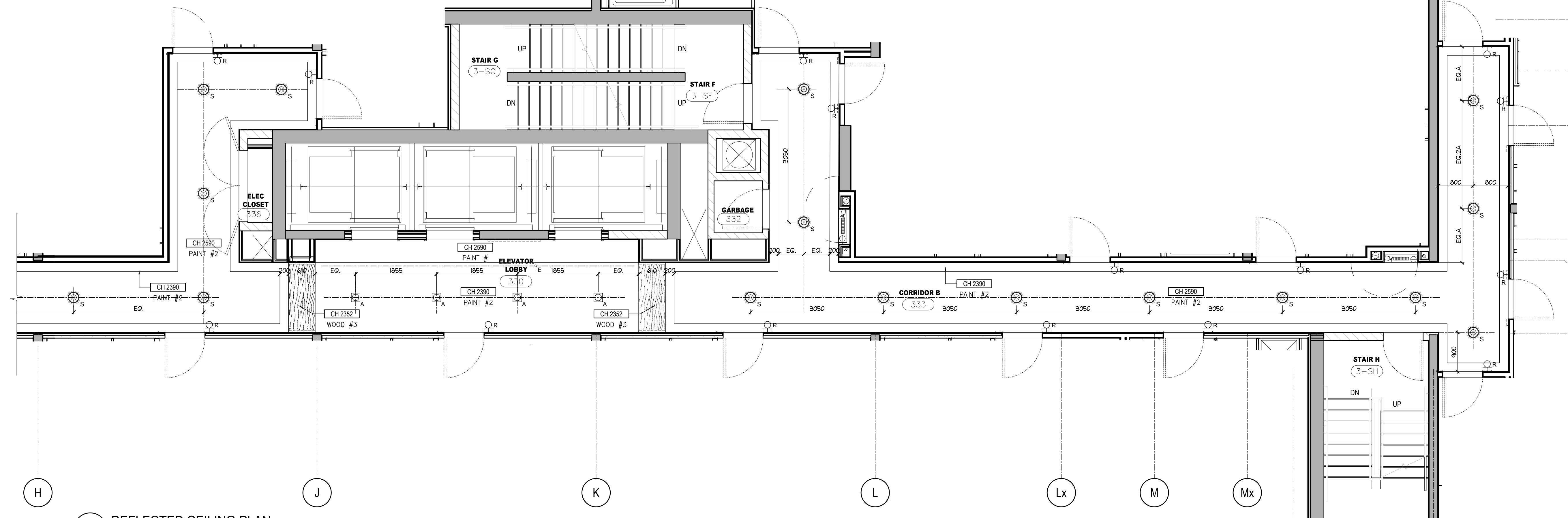
1 CONSTRUCTION PLAN
3RD FLOOR
SCALE 1:50



2 CONSTRUCTION PLAN
3RD FLOOR
SCALE 1:50



3 REFLECTED CEILING PLAN
3RD FLOOR
SCALE 1:50



4 REFLECTED CEILING PLAN
3RD FLOOR
SCALE 1:50

DO NOT SCALE DRAWINGS.
CONTRACTOR MUST VERIFY ALL DRAWINGS, DIMENSIONS, DETAILS AND SPECIFICATIONS, AND REPORT ANY DISCREPANCIES TO UNICOR 31 INC. BEFORE PROCEEDING WITH WORK. MATERIALS MAY NOT BE SUBSTITUTED WITHOUT WRITTEN APPROVAL FROM UNICOR 31 INC.
ALL DRAWINGS AND SPECIFICATIONS ARE INSTRUMENTS OF SERVICE AND THE PROPERTY OF UNICOR 31 INC. WHICH MUST BE RETURNED AT THE COMPLETION OF THE WORK.

PRINTED: 30-May-17

ISSUED FOR AS-BUILT

01	31 MAY / 17	ISSUED FOR AS-BUILT	SV
NO.	DATE	COMMENTS	INI
REVISIONS:			

UNICOR 31

UNICOR 31 INC.
183 BATHURST STREET, STE. 201
TORONTO, ON, M5T 2R7, CANADA
TEL: 416-597-1576 FAX: 416-597-2139

PROJECT NAME: ALEXANDRA PARK MAIN BUILDING	
BLOCK 11 ON, Canada	
PROJECT NO.: 13-949	DRAWINGS:
3RD FLOOR CONSTRUCTION PLAN & REFLECTED CEILING PLAN	
DATE STARTED: 07 AUG / 13	DRAWING NO.:
SCALE: 1:50	ID
DRAWN BY: AP	1.3.0
APPROVED BY: KC	